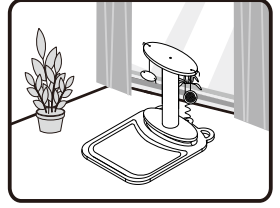
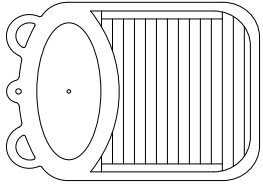


Attention:

- Please read this manual carefully before assembling and use the product in strict accordance with the manual.

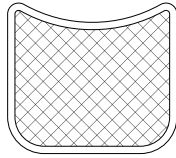


Part List



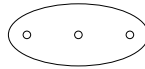
Base

A X1



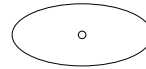
Sisal mat

B X1



Top board

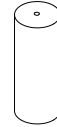
C X1



D X1



E X1



Post

F X1



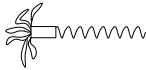
Thread ball

G X1



Mouse toy

H X1



Feather toy

I X1



Sucker

J X1



Wooden balls

K X2



Catnip balls

L X3



Washers

M X4



Short screw

N X1



Long screw

O X1

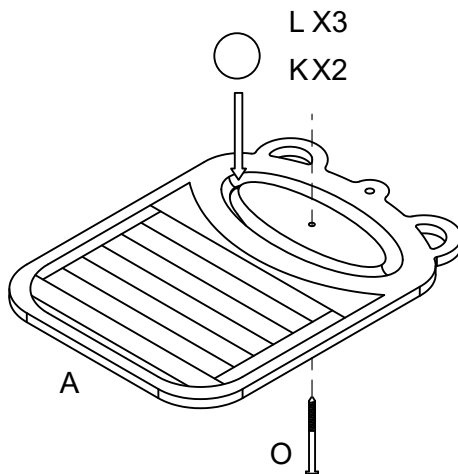


Wrench

P X1

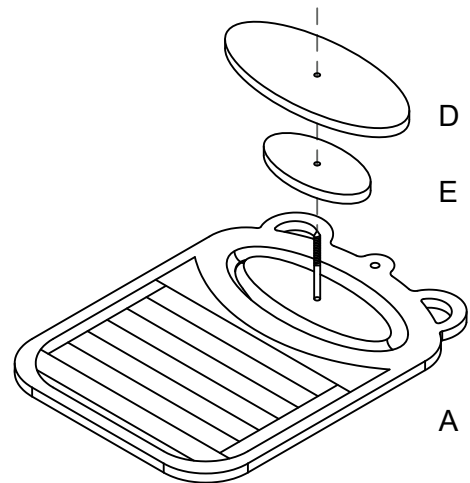
Assembly Instruction

1



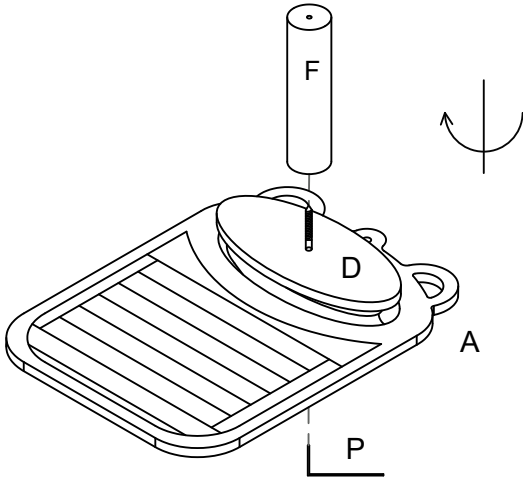
Put long screw through base then
Put catnip balls and wooden balls into the rail of base.

2



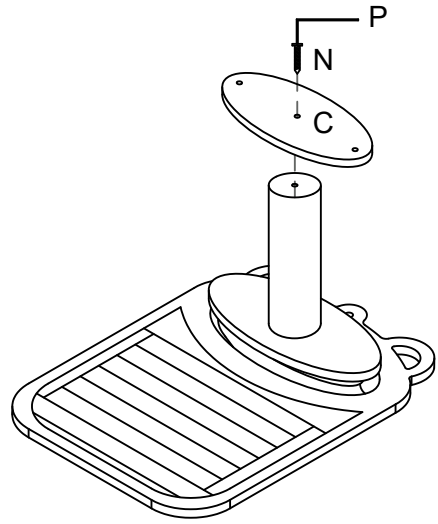
Put 'E' first, then put 'D' second.

3



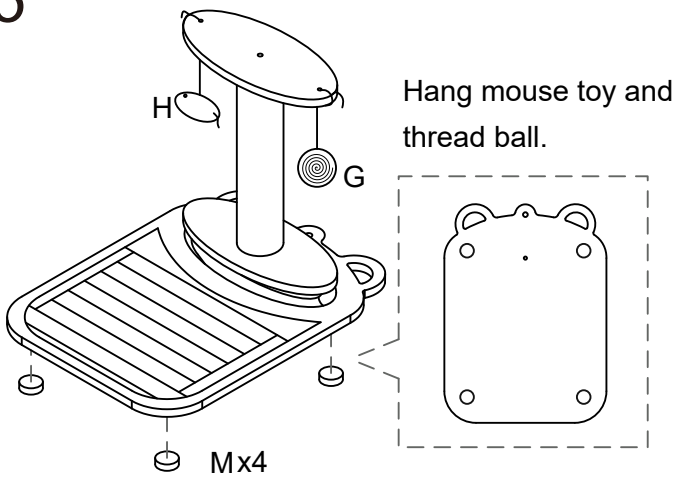
When add 'F' pls notice 'D' 'E'.
Should be in the same oval rail of 'A'.

4



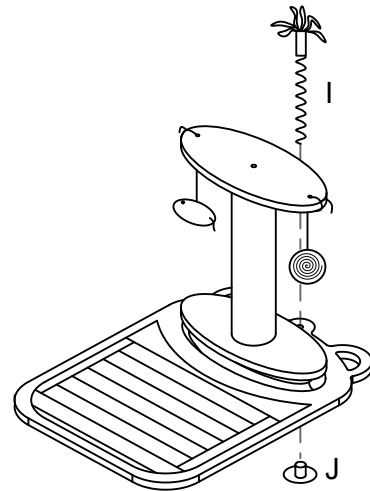
Put 'C' board at top.

5



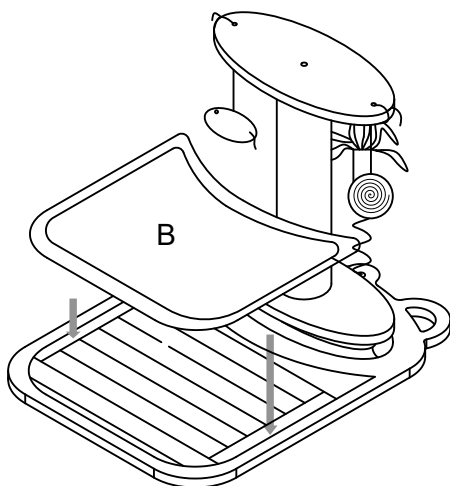
Add washers underneath.

6



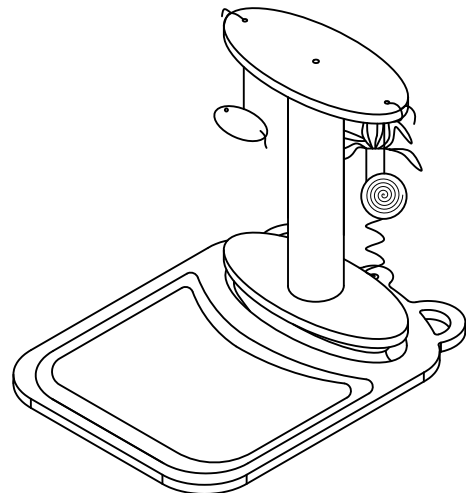
Put sucker first then add feather toy.

7



Stick sisal mat with velcro.

8



Finished.