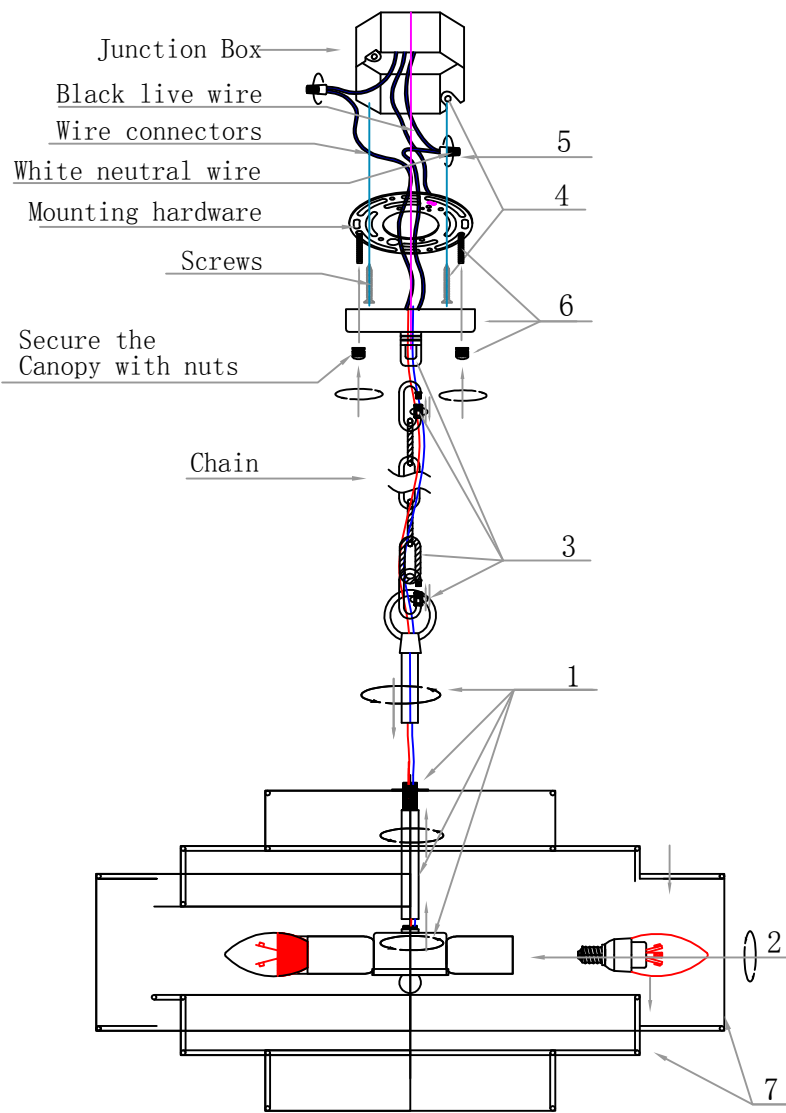


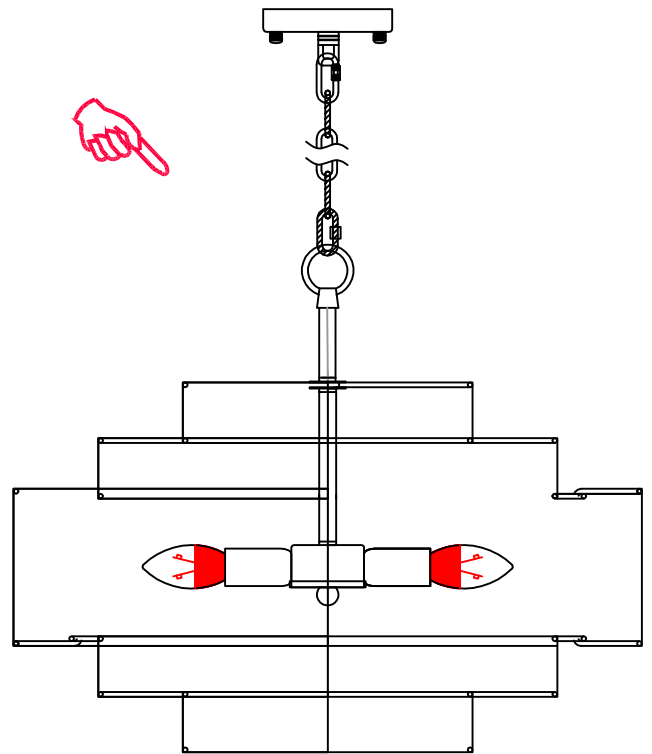
# Lighting installation instructions



## Installation:

- 1:Screw the upper lampshade to the centre pole.
- 2:Screw on the light bulb.
- 3:Connect the lamp body to the Canopy with a chain.
- 4:Lock the "Mounting hardware" onto the Junction Box
- 5:Connect the power cord properly.
- 6:Use " nuts" to lock the canopy onto the "Mounting hardware"
- 7:Hang the middle lampshade and the lower lampshade on the upper lampshade.
- 8:Press the switch to test the light.

The end!



## Precautions for use

1. When installing, cleaning lamps or replacing bulbs, the power supply should be cut off..
2. The rated voltage is 120V, and each lamp holder supports a maximum of 60 watt bulbs.
3. During installation, avoid scratching the surface of lamps and wires, wear gloves, and avoid collision to avoid injury.
4. Do not install it on an uneven ceiling, and keep paper, cloth and other flammable items away from the bulb (to avoid causing fire).
5. Lamps should not be close to corrosive chemicals and gases such as acids and alkalis, and should not be cleaned directly with water. Only try this with a clean, soft cloth.
6. Do not touch the bulb during use or after turning off the light (to avoid burns).
7. Please do not use it in places with high humidity and high temperature.
8. Be careful when installing and minimize the number of moves to avoid damaging the lamps.