

---

# NIGHTSTAND

User Manual

---

## INTRODUCTION

Thank you for choosing the Nightstand. Please read this user manual carefully and keep it for future reference. If you need any assistance, please contact us by email with your order number and details.

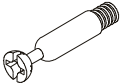

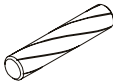

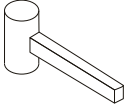
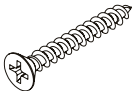

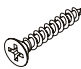

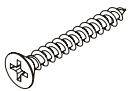

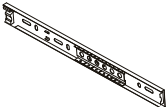


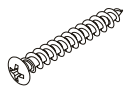




## PACKAGE CONTENTS

- 1 x Nightstand
- 1 x Pack of Accessories
- 1 x User Manual

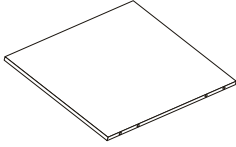
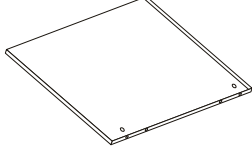
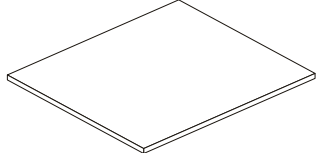
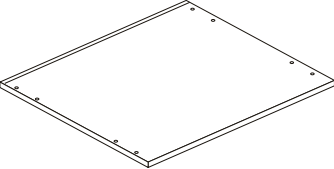
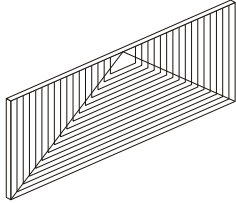
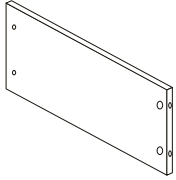
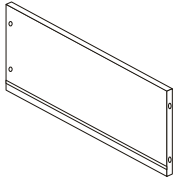
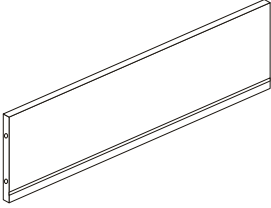
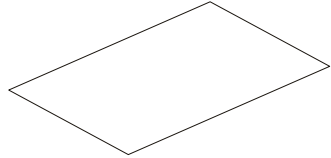
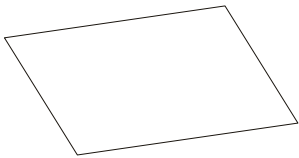
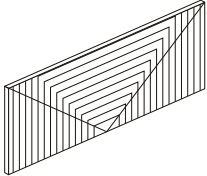
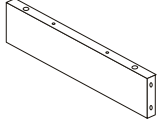
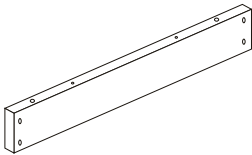
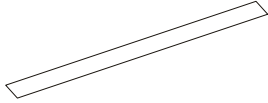
## PRODUCT CARE

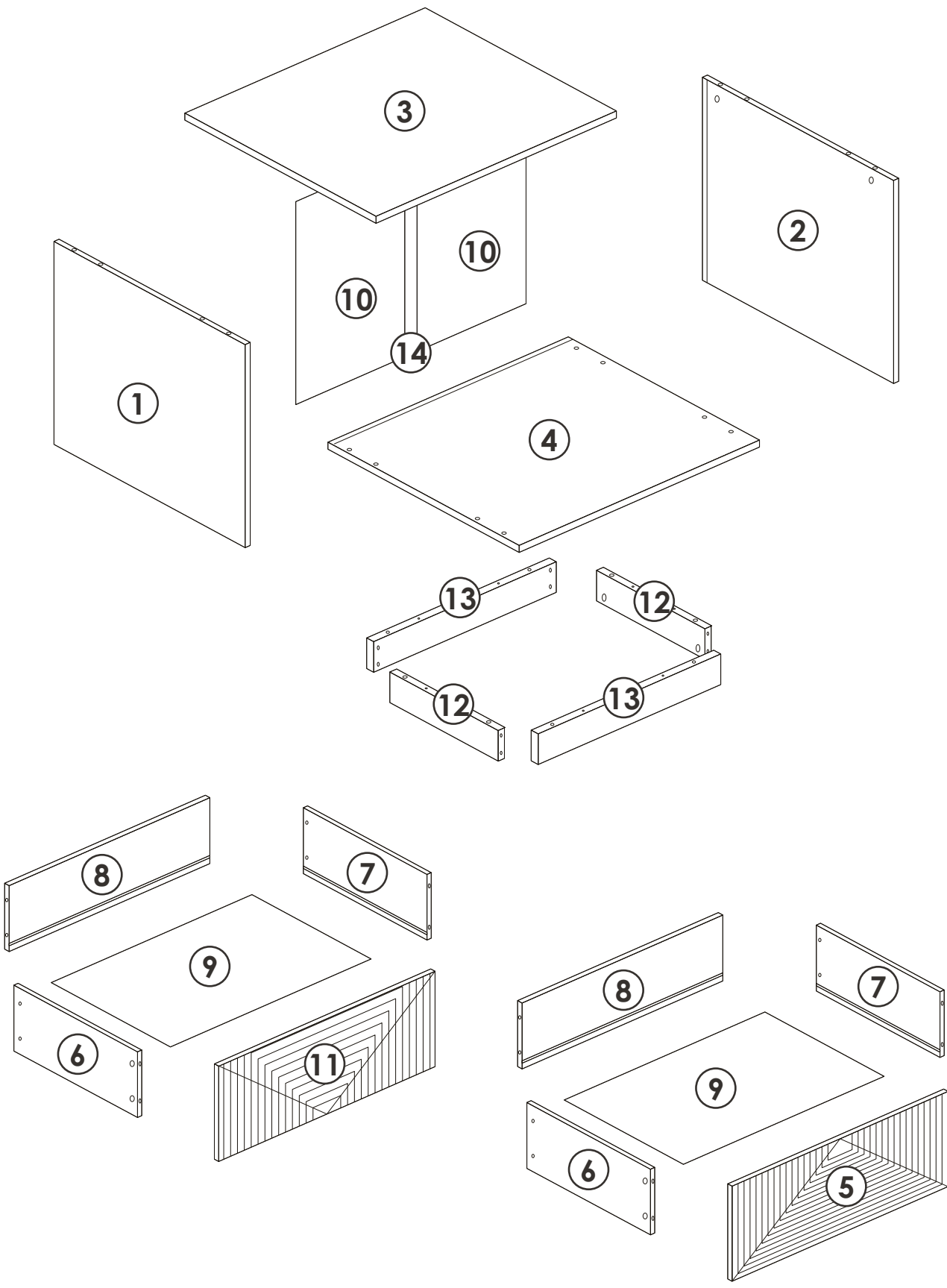
- Please follow the instruction to assemble this item correctly.
- Don't make the screws be too loose or too tight.
- Please put the screws into the holes' position just as shown in the arrows of the image, and then clockwise rotate 90° or 180°
- More product parts, it is recommended that two people install
- The fittings pack contains small accessories that should be kept away from small children.

## HARDWARE SUPPLIED

					TOOLS REQUIRED:	
<b>A</b> 6*36mm  x16	<b>B</b> 15*9.5mm  x16	<b>C</b> 5.8*30mm  x20	 Screwdriver		 Hammer	
<b>D</b> 4*35mm  x5	<b>E</b> 13*15*4mm  x6	<b>F</b> 3*16mm  x6	<b>G</b> 3.5*12mm  x24	<b>H</b> 4*30mm  x12		
<b>I</b> 400mm  x4	<b>J</b> 400mm  x4	<b>K</b>  x2	<b>L</b> 6*30mm  x1	<b>M</b> 4*50mm  x8		
<b>N</b> 4*14mm  x1	<b>O</b> φ12mm  x2	<b>P</b> 150mm  x1	<b>Q</b> 15mm  x4			

# PANEL LAYOUT

<p>① 428*397*15mm</p>  <p>x1</p>	<p>② 428*397*15mm</p>  <p>x1</p>	<p>③ 449*398*15mm</p>  <p>x1</p>
<p>④ 449*398*15mm</p>  <p>x1</p>	<p>⑤ 412*210*18mm</p>  <p>x1</p>	<p>⑥ 300*145*12mm</p>  <p>x2</p>
<p>⑦ 300*145*12mm</p>  <p>x2</p>	<p>⑧ 374*145*12mm</p>  <p>x2</p>	<p>⑨ 294*381*2.5mm</p>  <p>x2</p>
<p>⑩ 435*212*2.5mm</p>  <p>x2</p>	<p>⑪ 412*210*18mm</p>  <p>x1</p>	<p>⑫ 328*60*15mm</p>  <p>x2</p>
<p>⑬ 410*60*15mm</p>  <p>x2</p>	<p>⑭ 426*10*5mm</p>  <p>x1</p>	



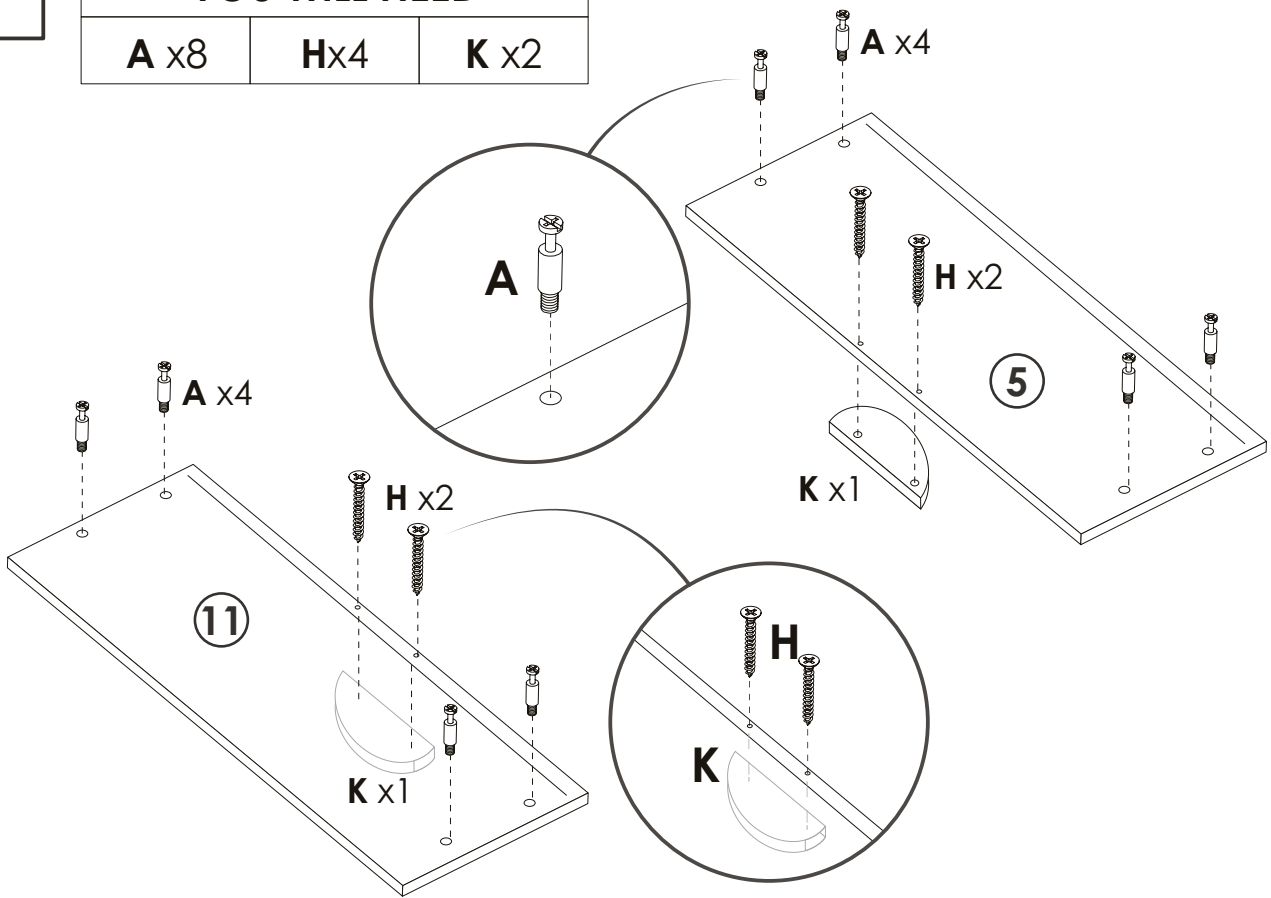
1

YOU WILL NEED

A x8

H x4

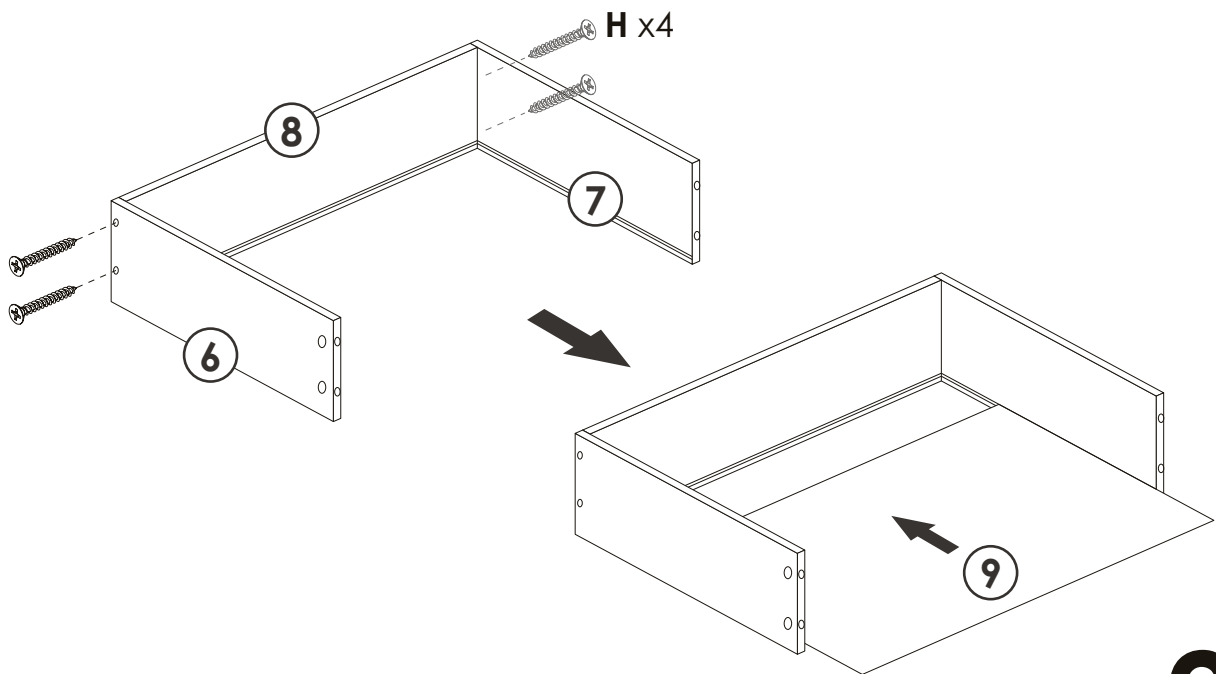
K x2



2

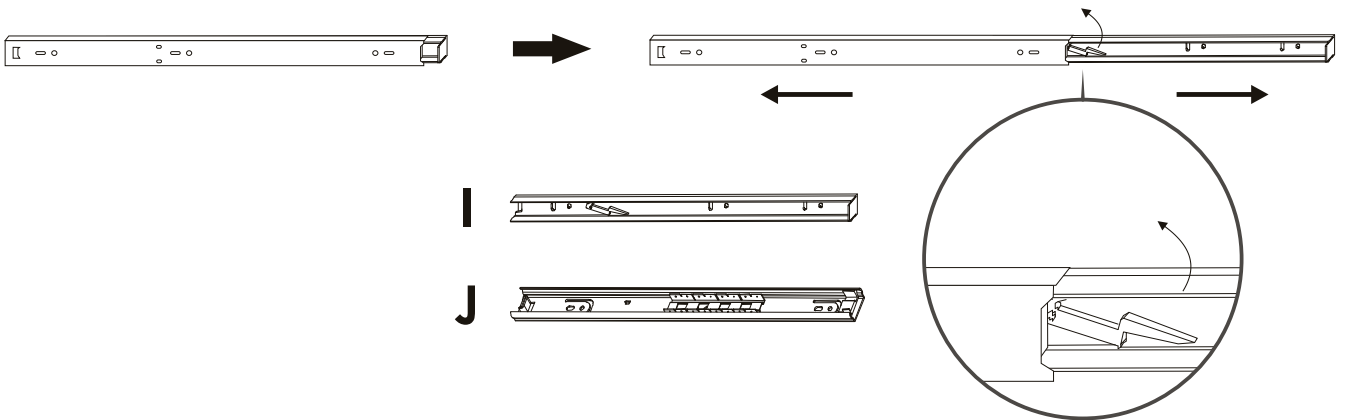
YOU WILL NEED

H x8



x2

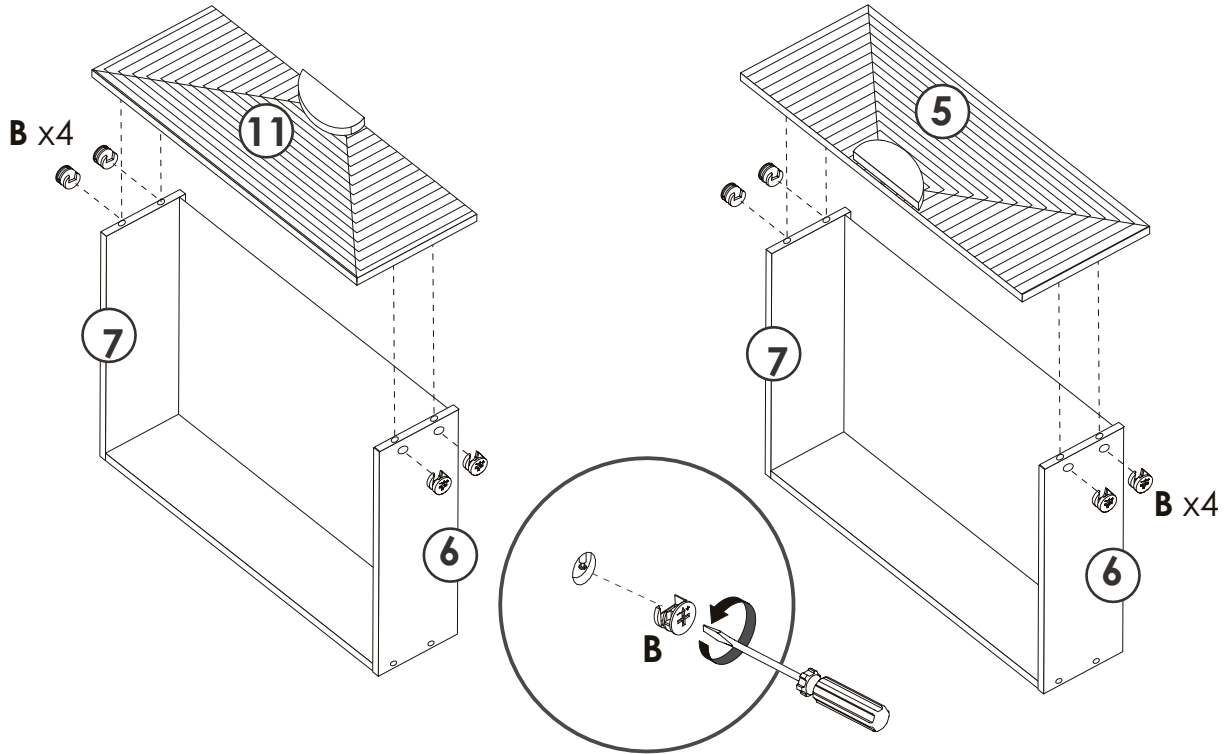
3



4

YOU WILL NEED

B x8

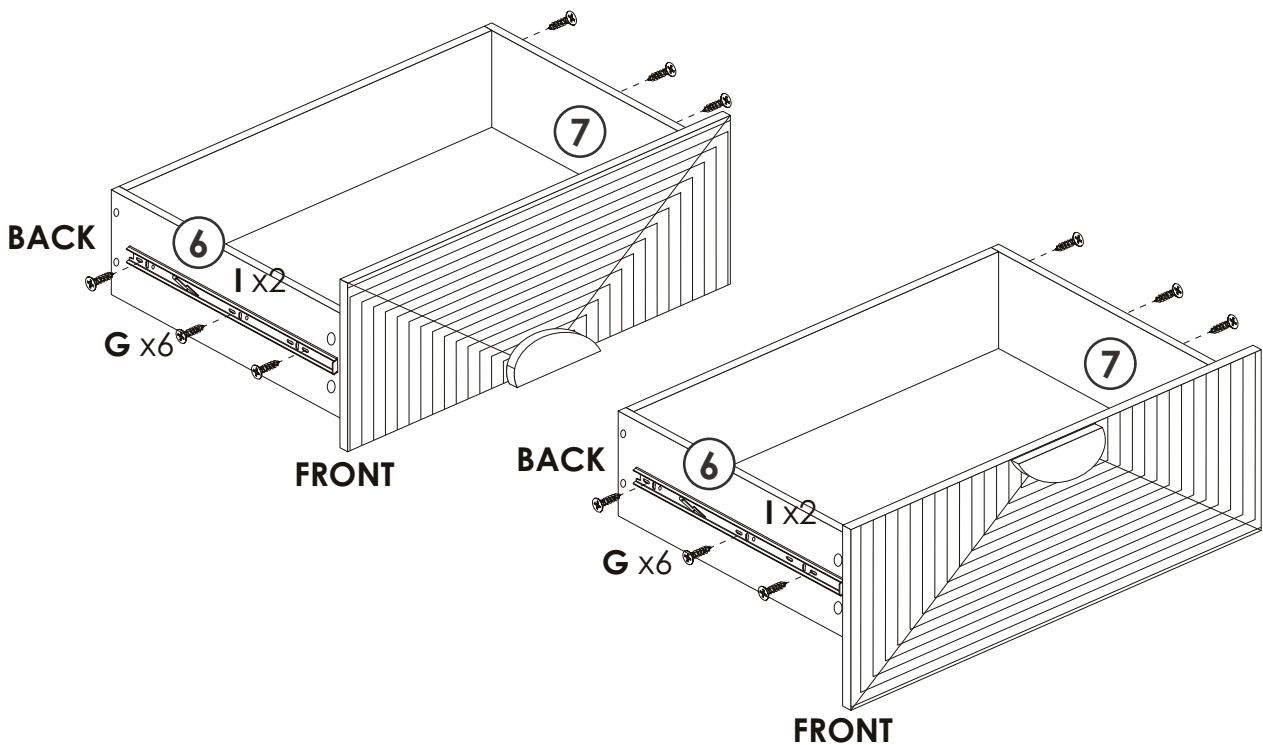


5

YOU WILL NEED

G x12

I x4

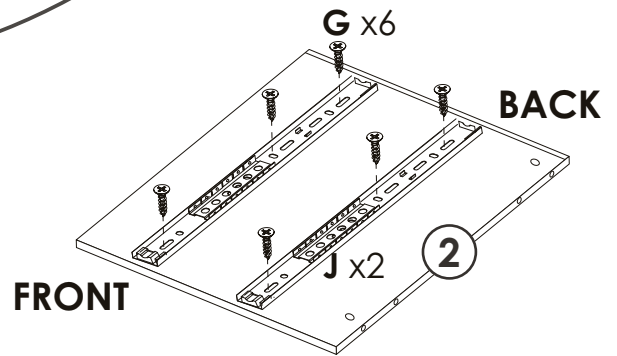
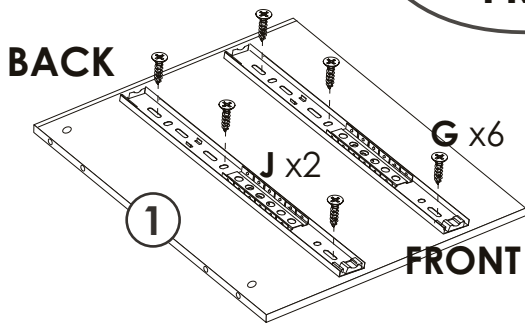
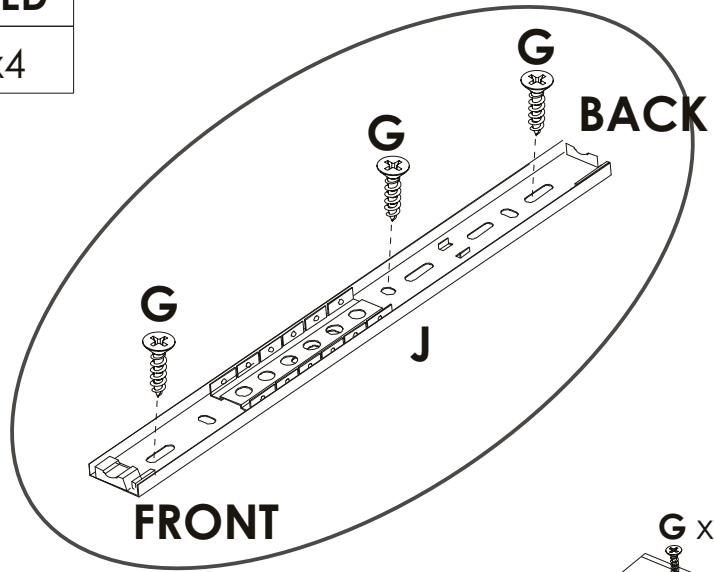


6

YOU WILL NEED

G x12

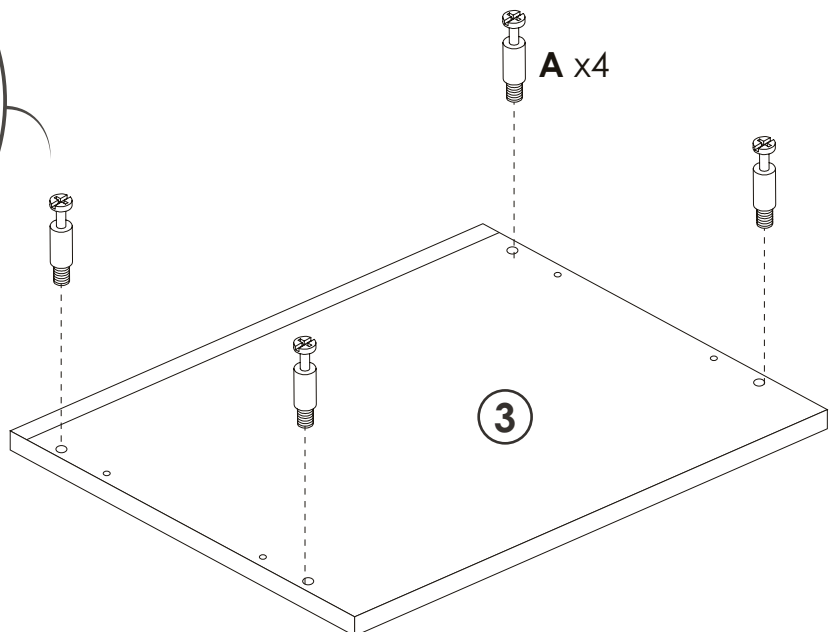
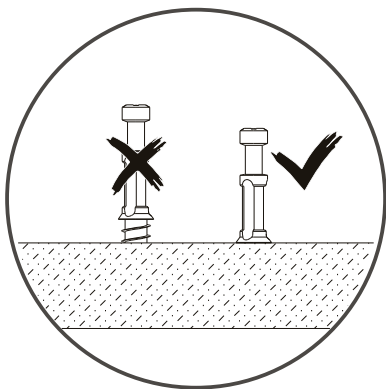
J x4



7

YOU WILL NEED

A x4

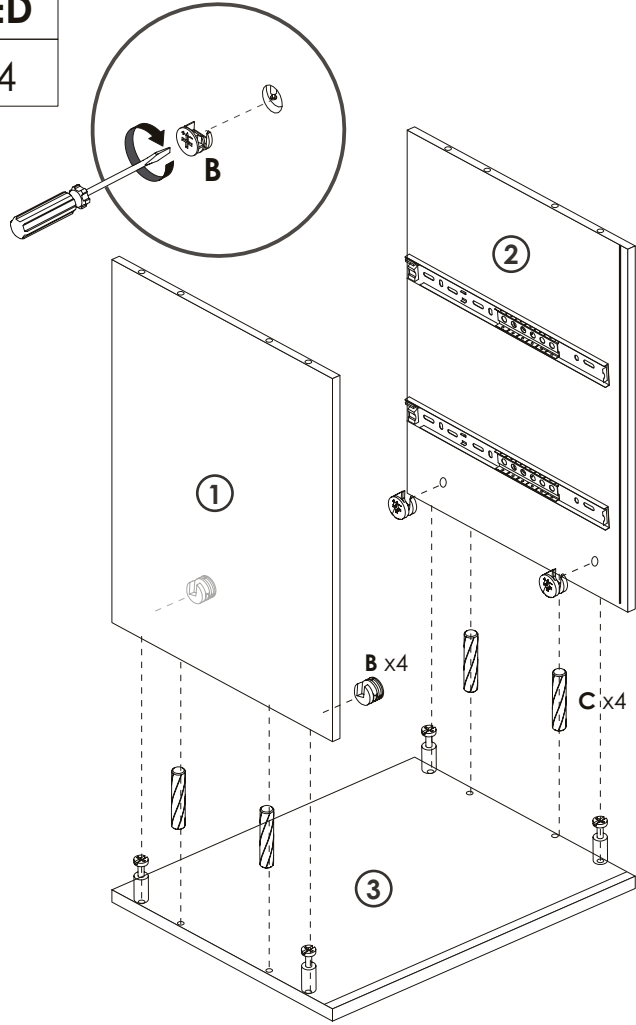


8

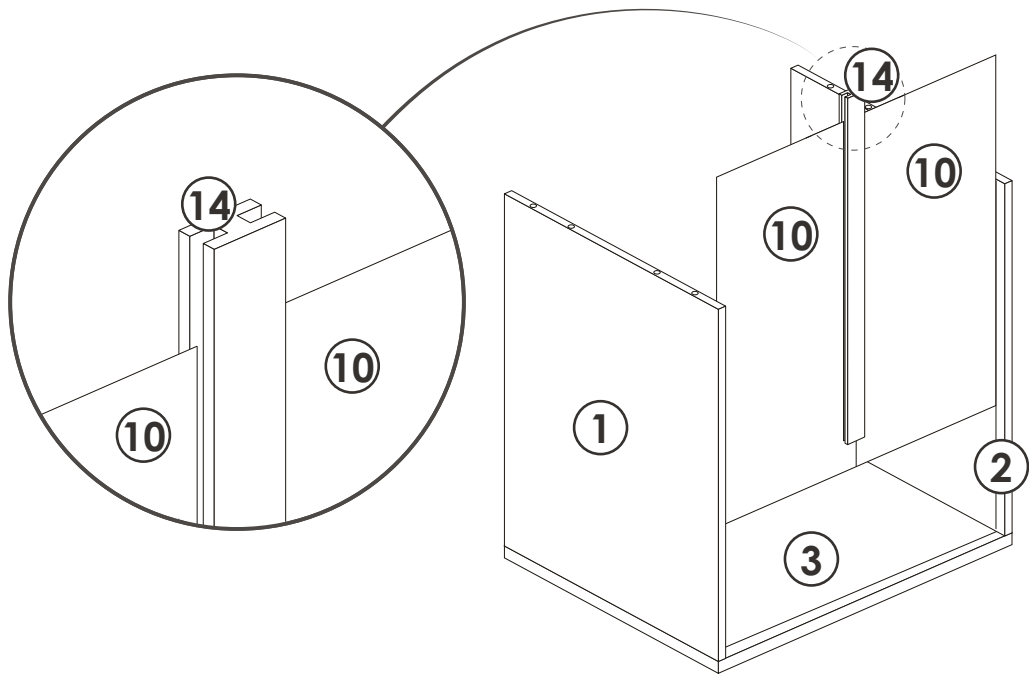
**YOU WILL NEED**

**B x4**

**C x4**



9

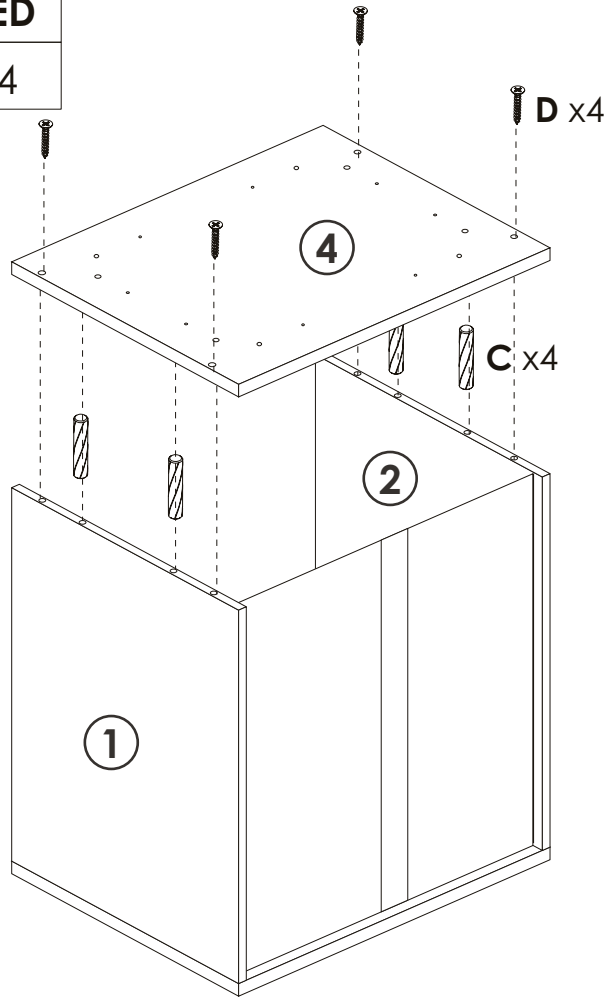


10

YOU WILL NEED

C x4

D x4



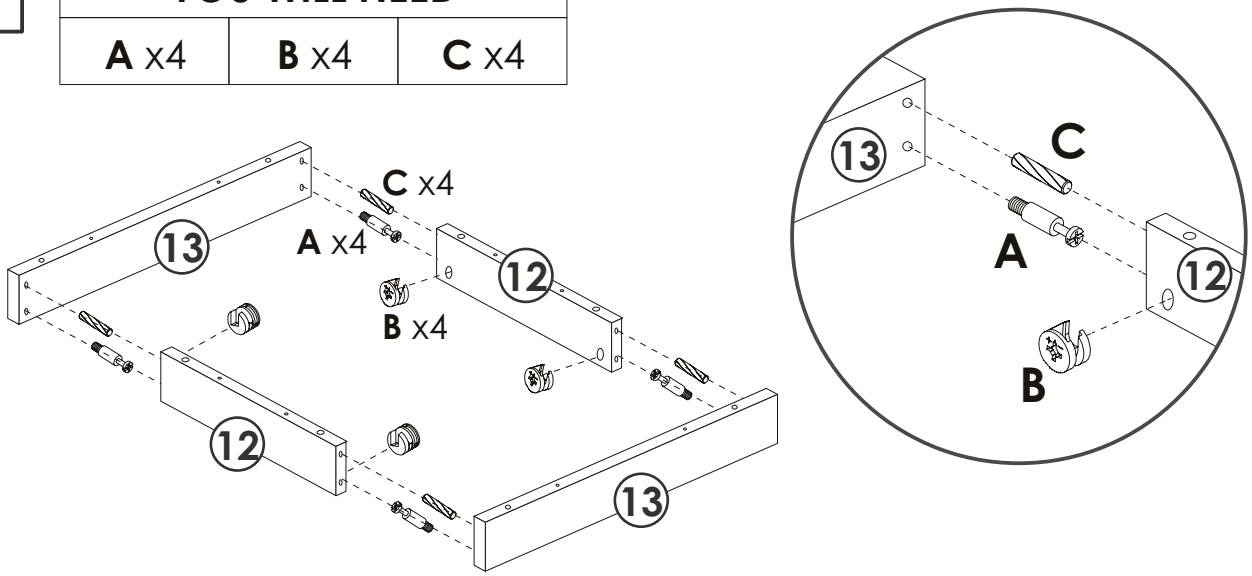
11

YOU WILL NEED

A x4

B x4

C x4

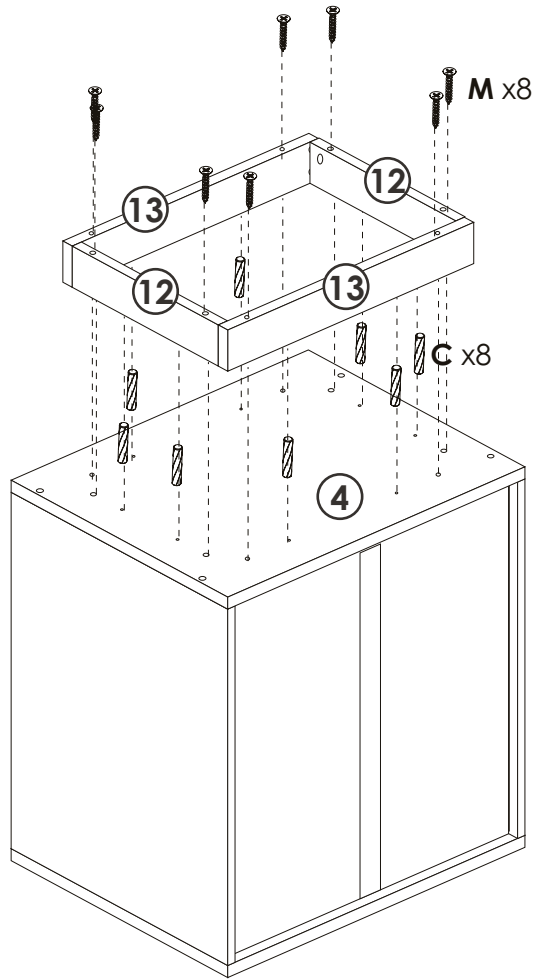


12

**YOU WILL NEED**

**C x8**

**M x8**



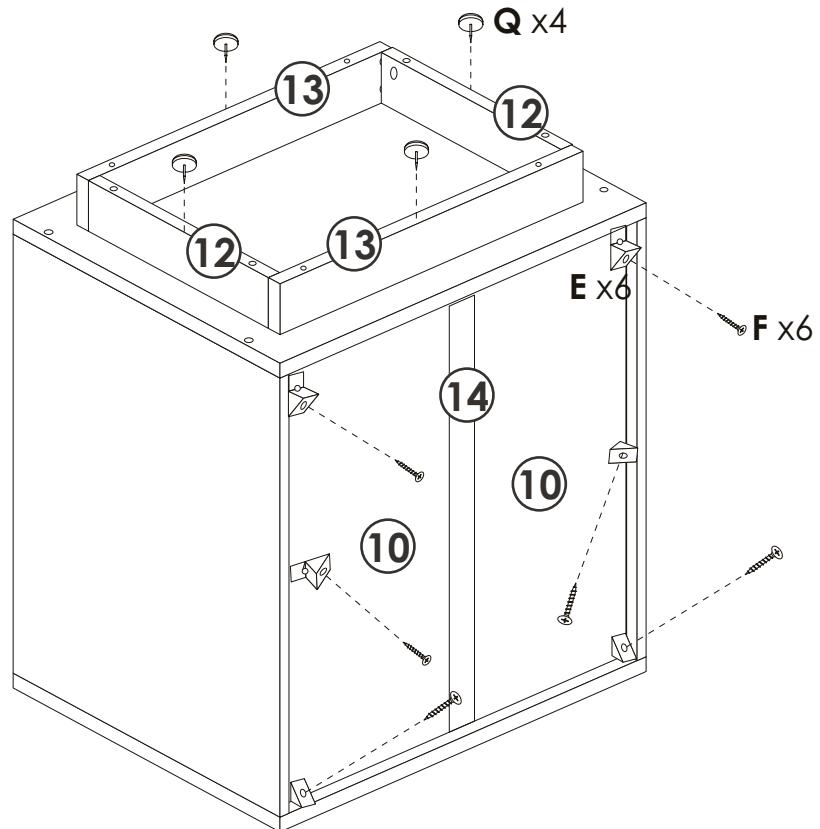
13

**YOU WILL NEED**

**E x6**

**F x6**

**Q x4**



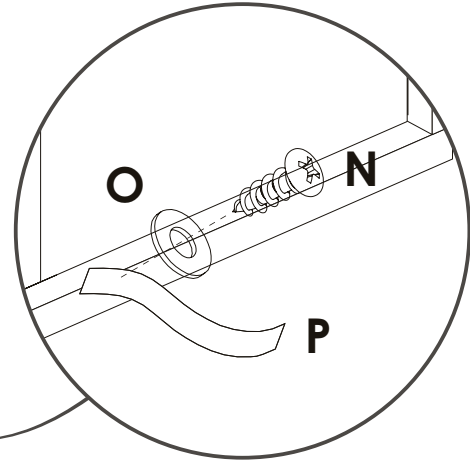
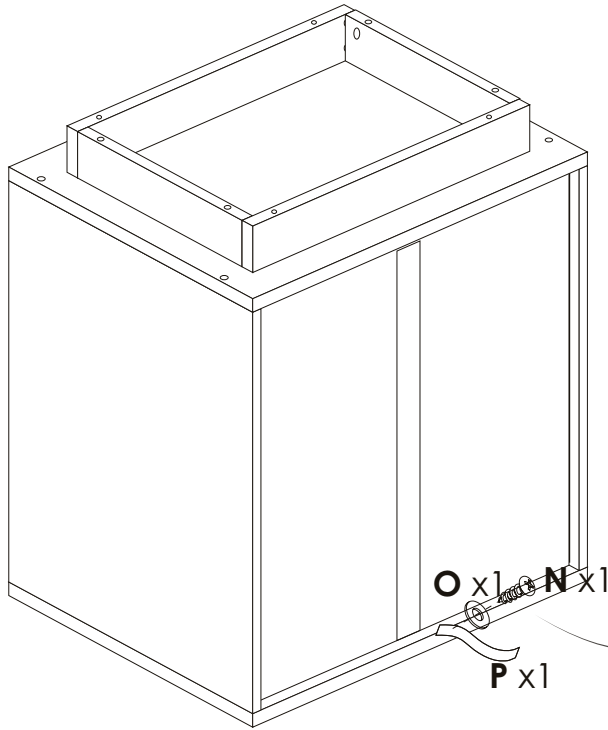
14

YOU WILL NEED

O x1

P x1

N x1



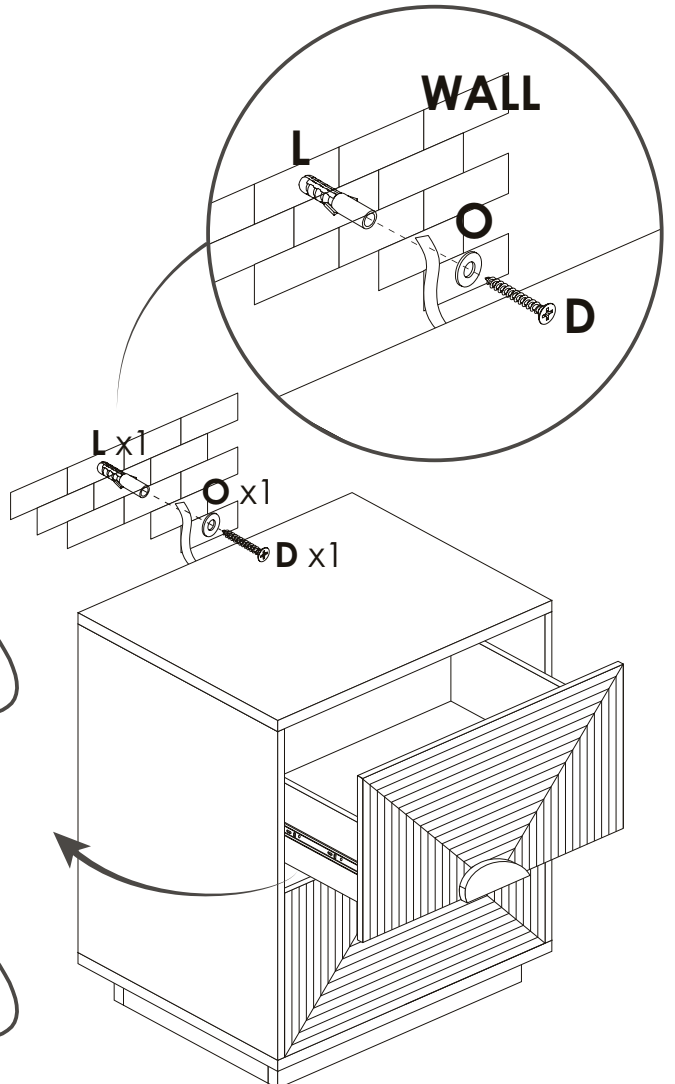
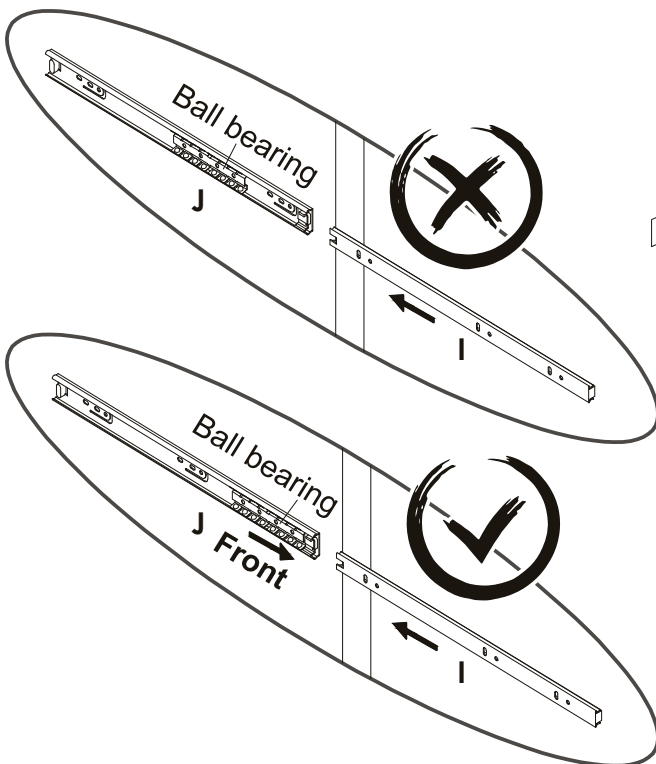
15

YOU WILL NEED

D x1

L x1

O x1



## **GUARANTEE**

Nightstand offers a 90-days warranty that begins on the date of the original purchase and applies to problems caused by the manufacturer. For questions, assistance, or support, please contact the Customer Service by e-mail with your order number and details. We will send you further information about the solution.