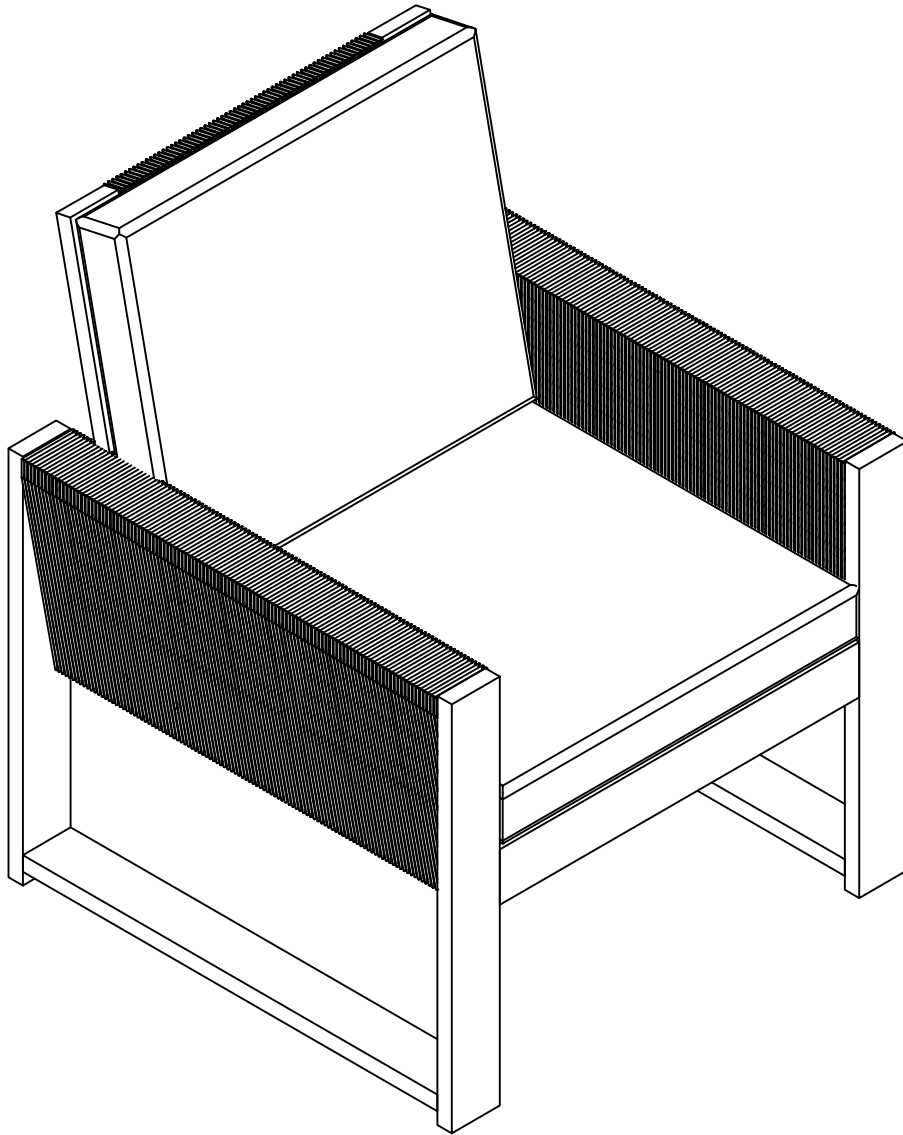
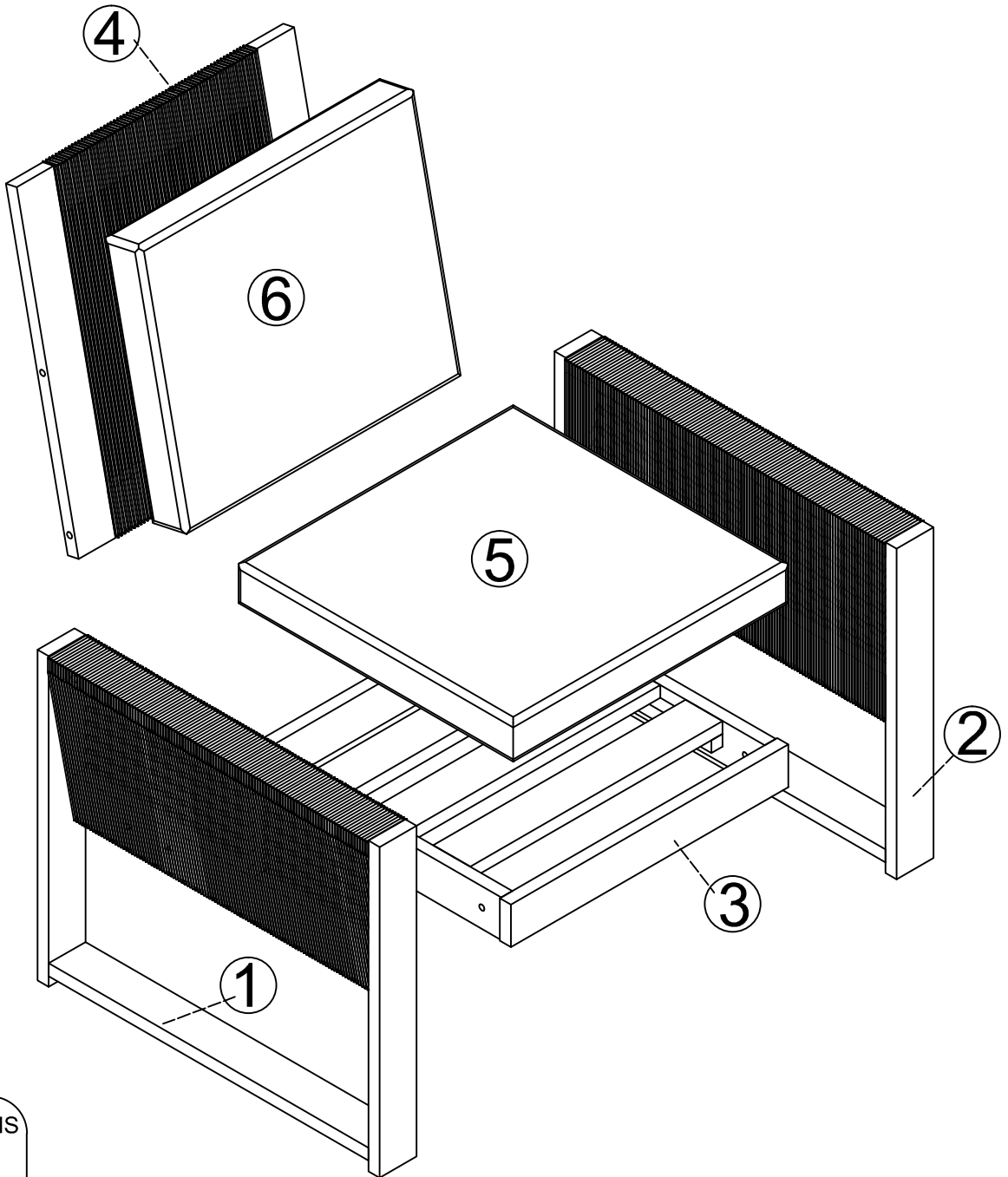


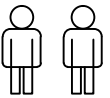
# Assembly Instruction



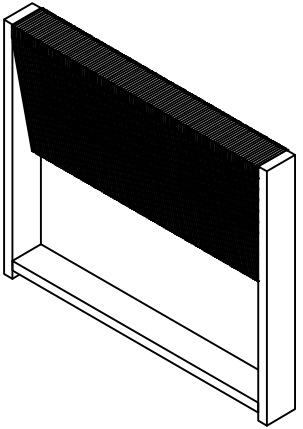
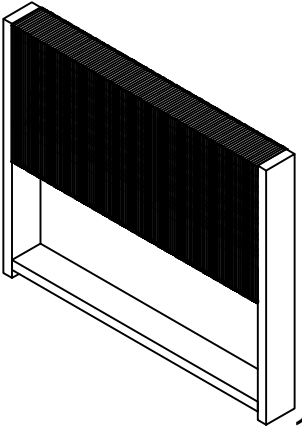
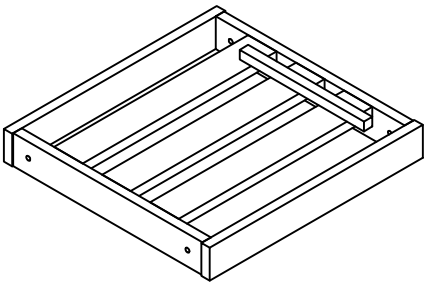
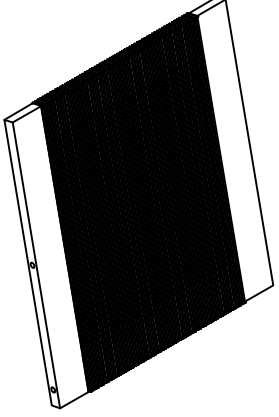
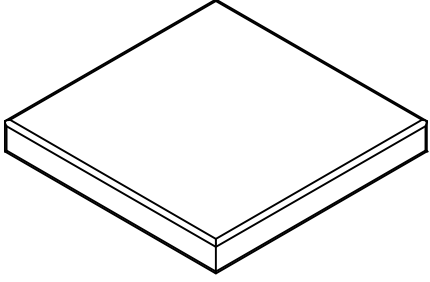
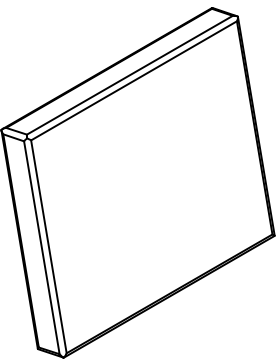
# Assembly Instruction





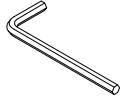
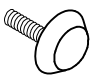
2 PERSONS



# PARTS LIST

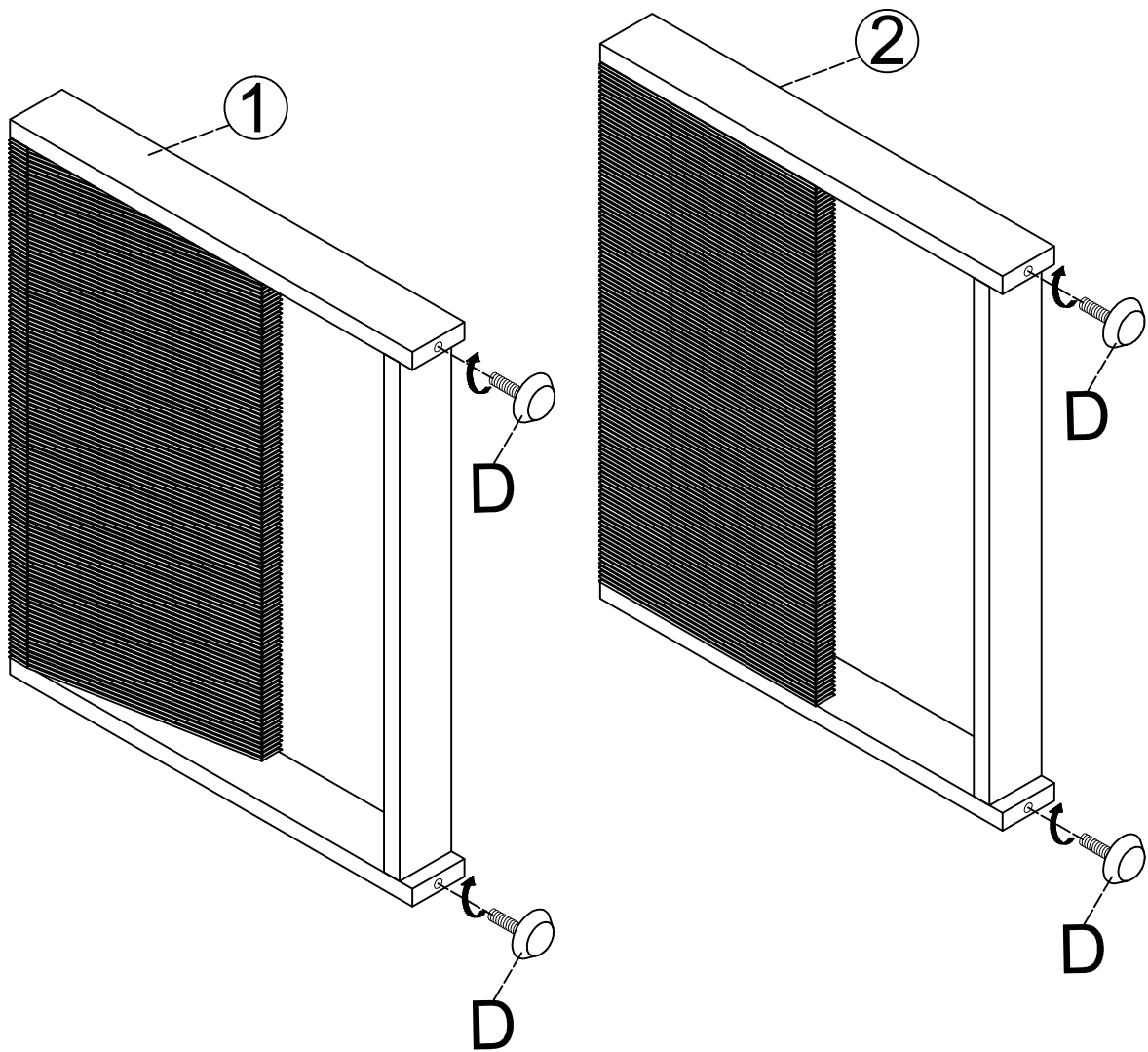
|  |   |  |
|--|---|--|
| <p>①</p>  <p>1PC</p>  | <p>②</p>  <p>1PC</p>   | <p>③</p>  <p>1PC</p>  |
| <p>④</p>  <p>1PC</p> | <p>⑤</p>  <p>1PC</p> | <p>⑥</p>  <p>1PC</p> |

# HARDWARE LIST

|  |  |   |  |
|--|--|---|--|
| <p>A</p>  <p>M8x50mm<br/>6PCS</p> | <p>B</p>  <p>M8x60mm<br/>2PCS</p> | <p>C</p>  <p>1PC</p> | <p>D</p>  <p>4PCS</p> |
|--|--|---|--|

# STEPS

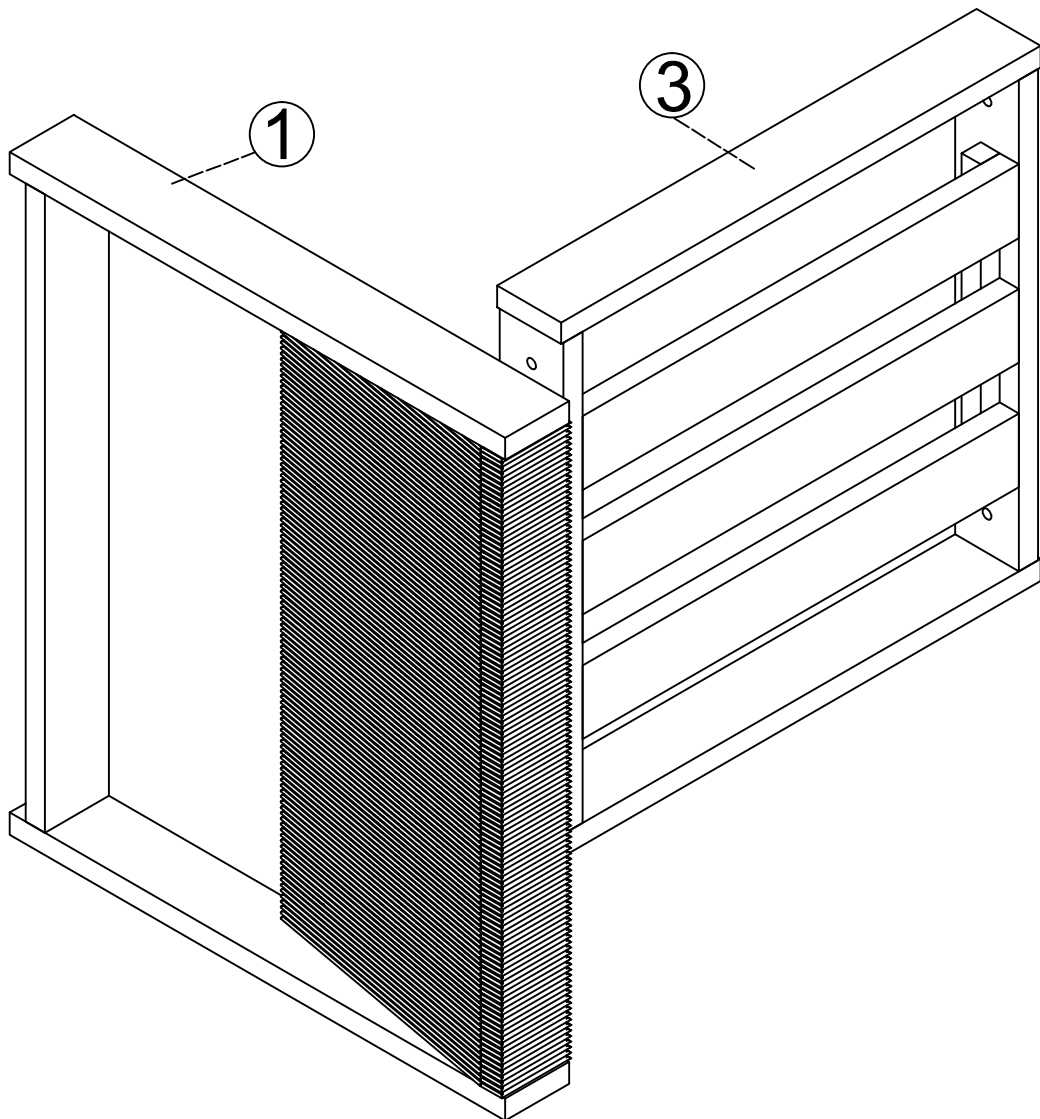
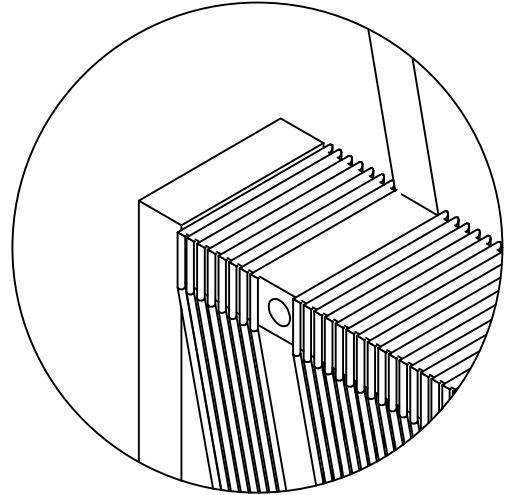
**STEP-1**  D x 4PCS



## STEPS



### STEP-2

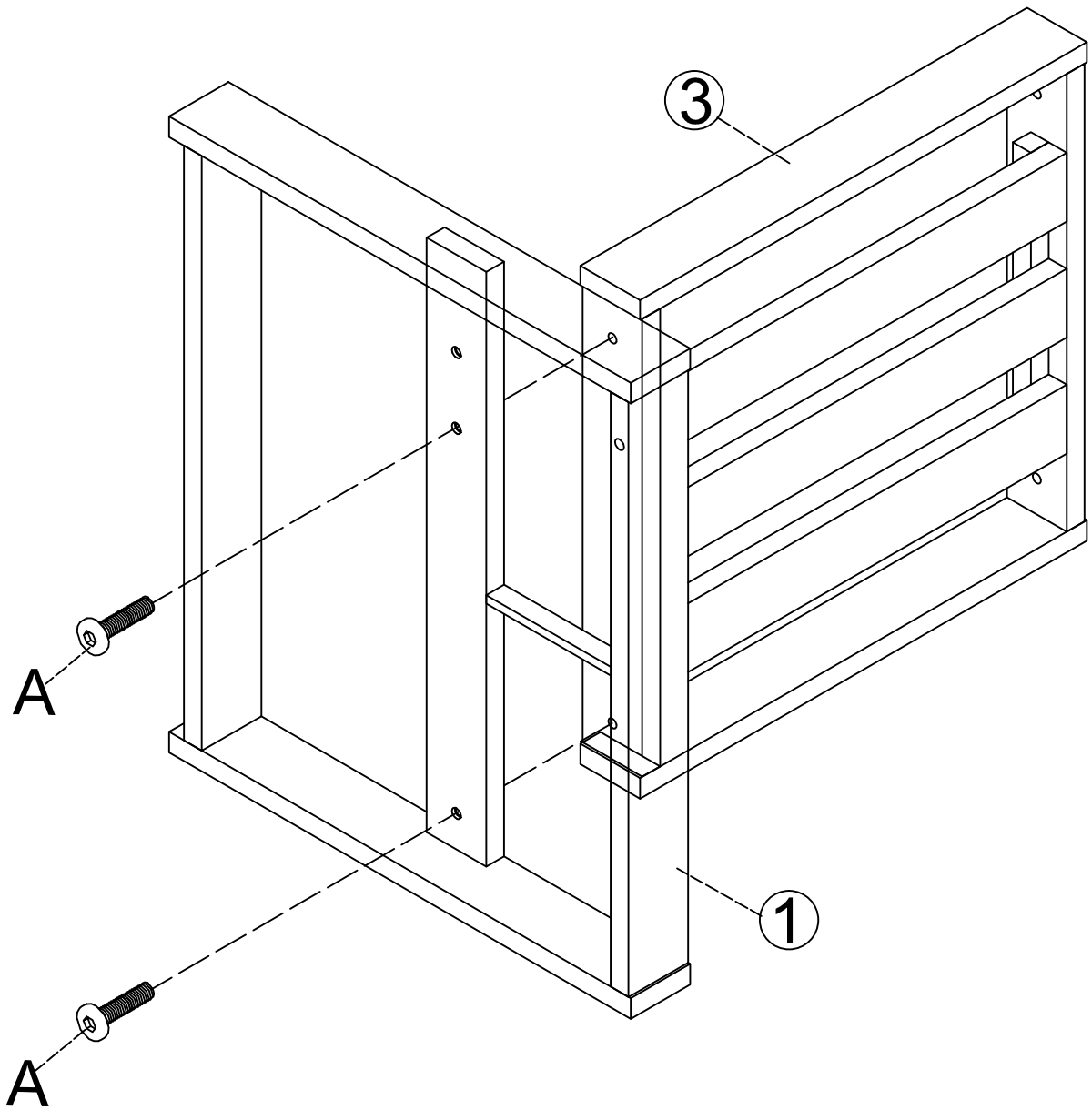
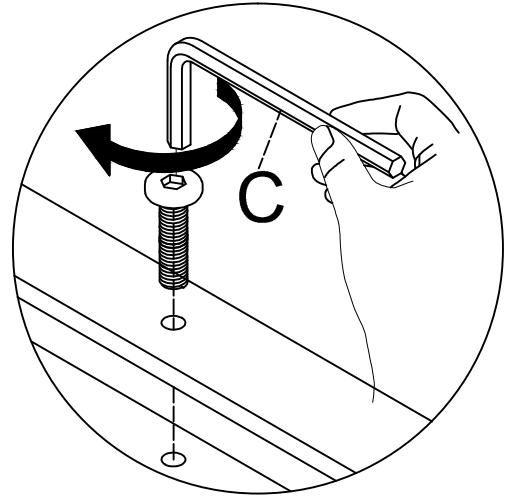
You need to unplug the canes and insert the screws if the canes block the assembly hole.



# STEPS

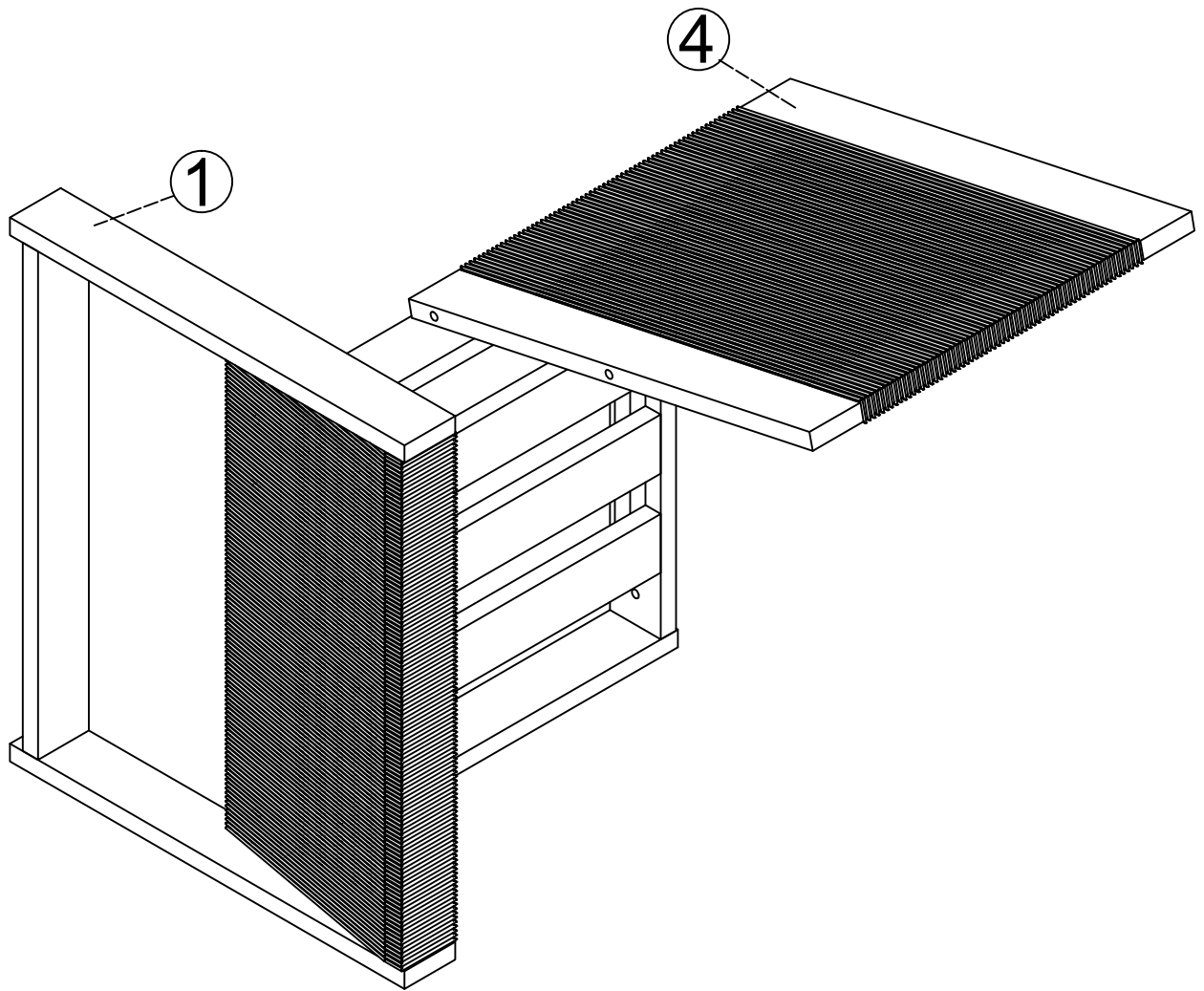
## STEP-3

|   |          |
|---|----------|
|  | A x 2PCS |
|  | C        |






# STEPS

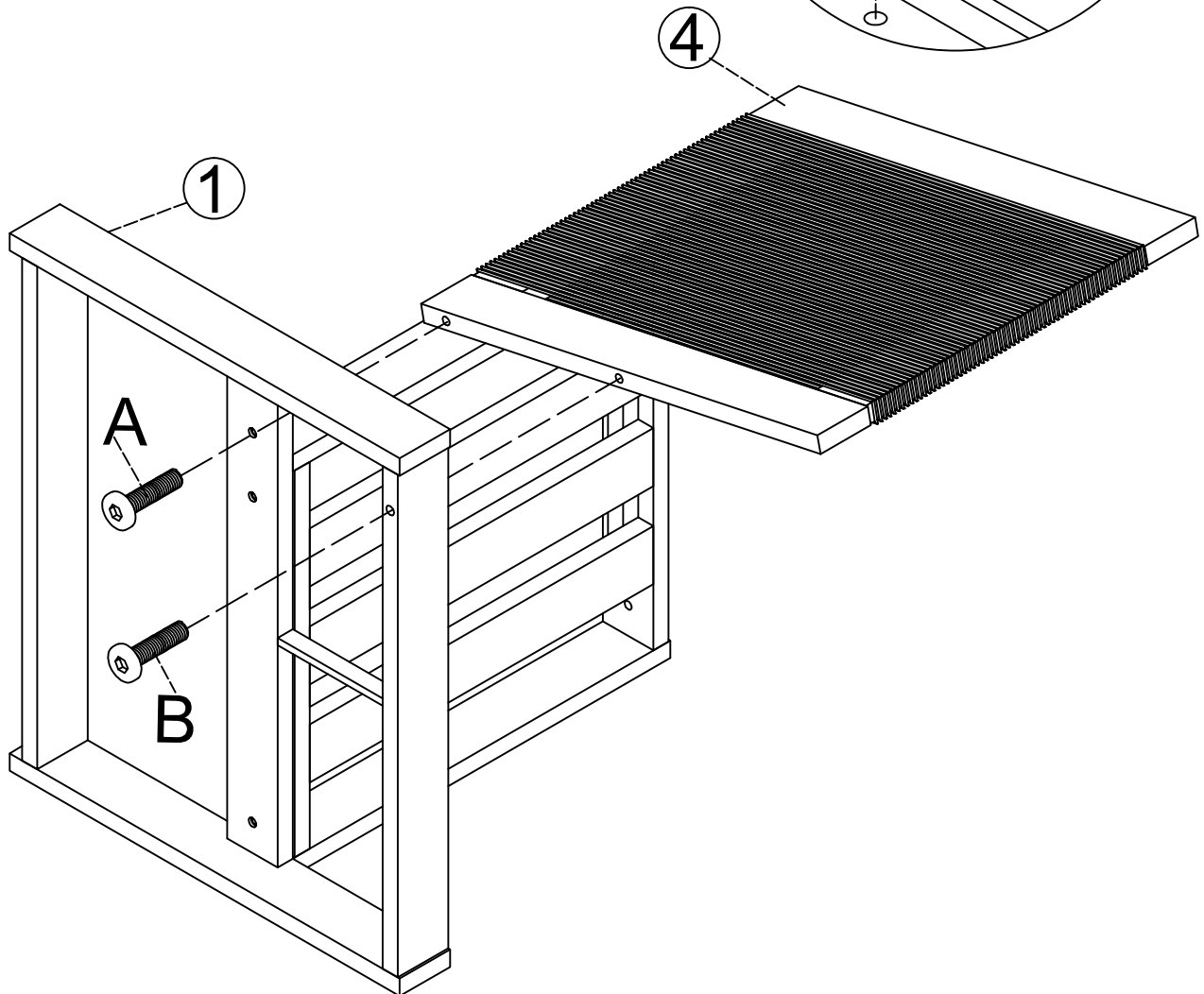
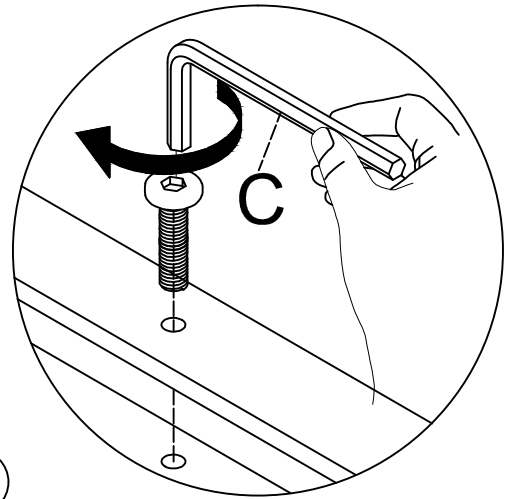
## STEP-4



# STEPS

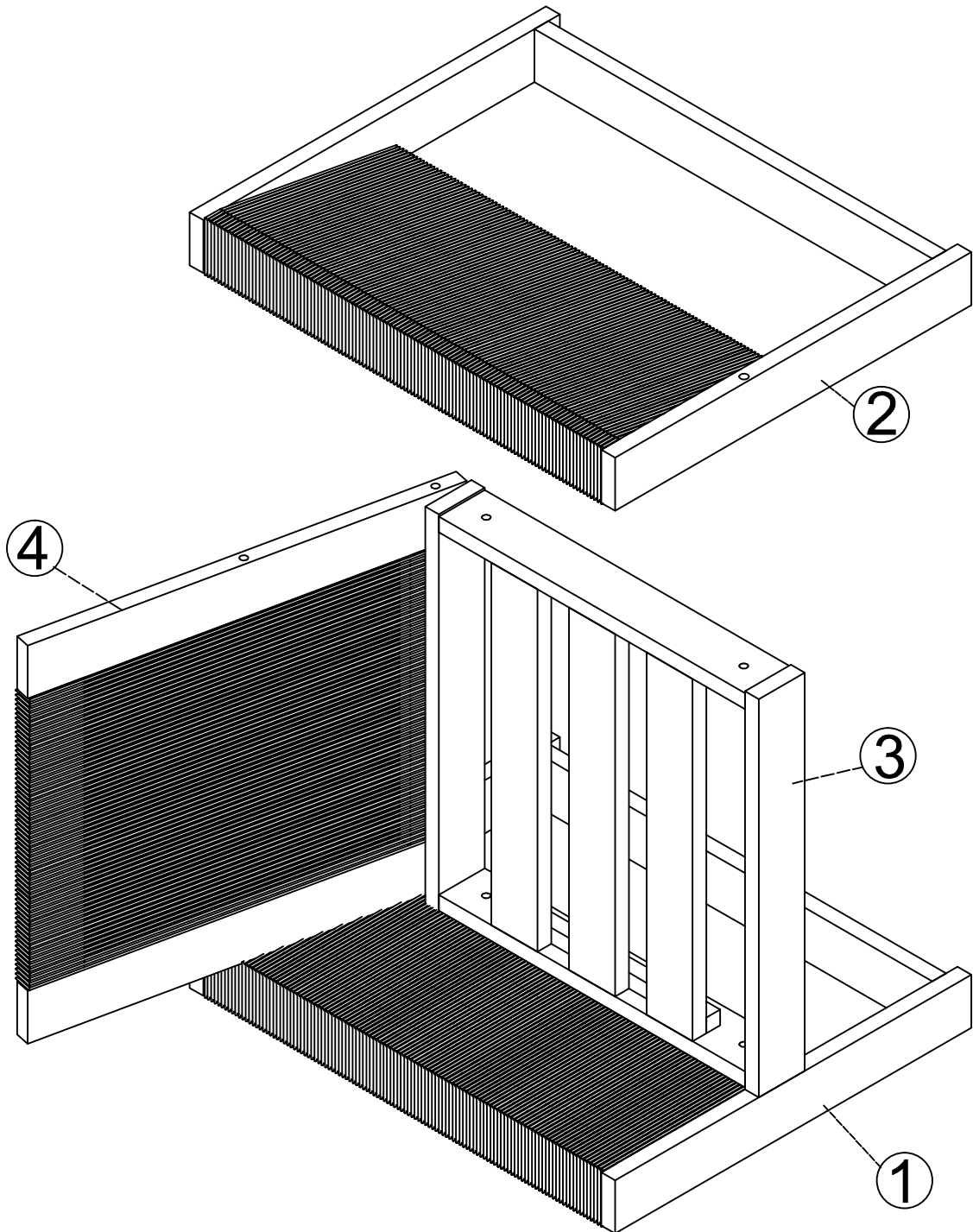
## STEP-5

|   |         |
|---|---------|
|  | A x 1PC |
|  | B x 1PC |
|  | C       |






# STEPS

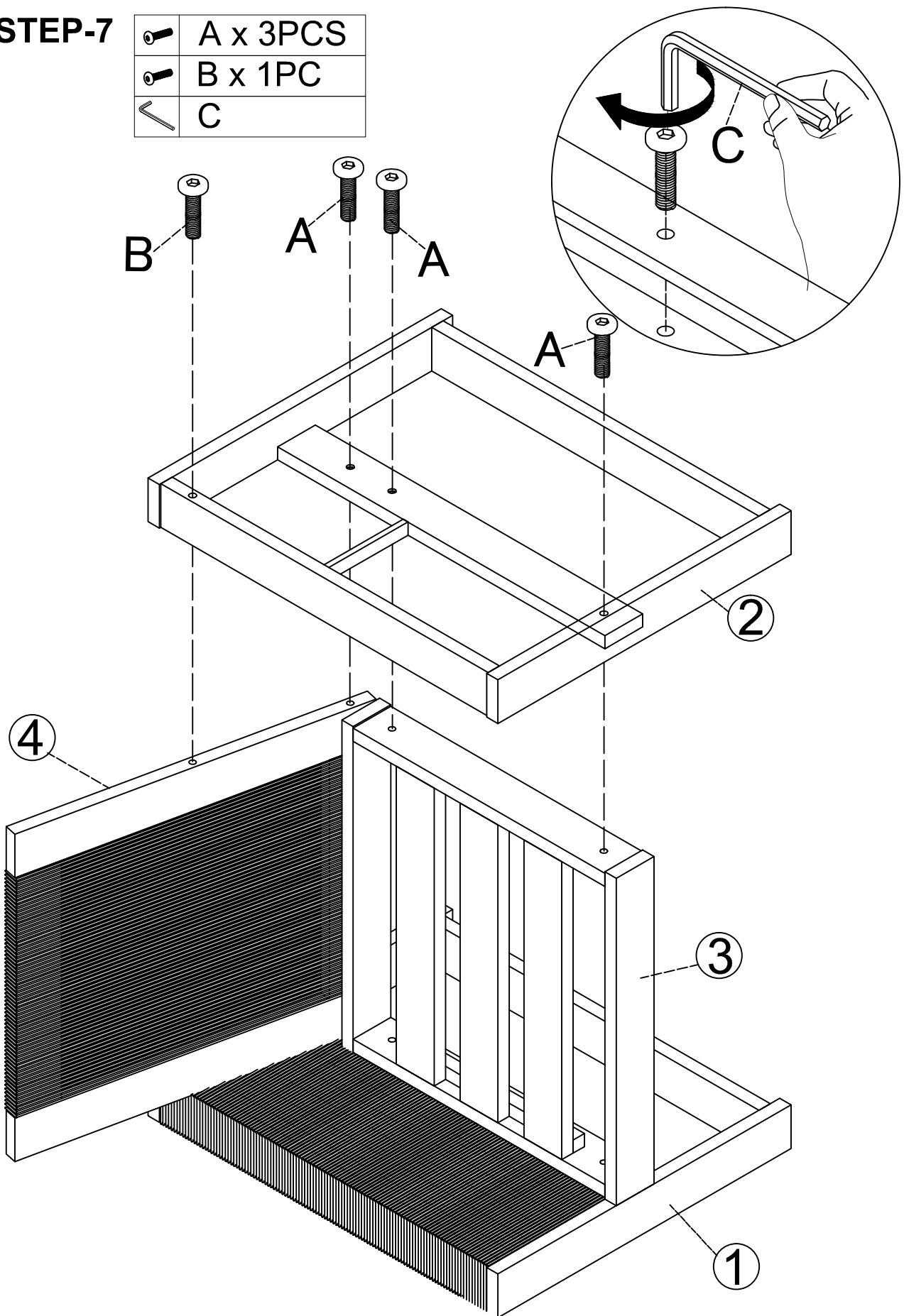
## STEP-6



# STEPS

## STEP-7

|   |          |
|---|----------|
|  | A x 3PCS |
|  | B x 1PC  |
|  | C        |



# STEPS

## STEP-8

