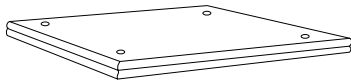
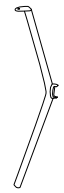



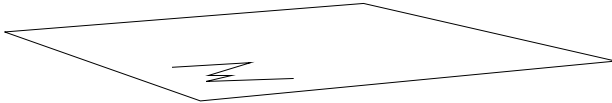


Diagram illustrating assembly instructions and safety warnings:

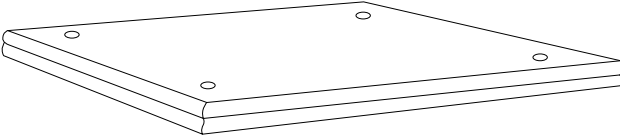
- Top Warning:** A warning triangle with an exclamation mark is connected by a vertical line to a box containing:
 - An icon of an L-shaped metal bracket.
 - An icon of a power drill with a diagonal slash through it, indicating that a power drill should not be used.
- Time:** A clock icon is positioned to the right of the top warning box, with the text "15'" below it, indicating a 15-minute assembly time.
- Bottom Warning:** A second warning triangle with an exclamation mark is connected by a vertical line to a box containing:
 - An icon of a rectangular block being placed on a textured surface.
 - An icon of a rectangular block with a diagonal slash through it, indicating that the block should not be placed on a textured surface.
- Person Icon:** A simple stick figure icon representing a person is positioned to the right of the bottom warning box, with the number "1" below it, indicating that one person is required for assembly.

<p>A</p>  <p>x 1</p>	<p>B</p>  <p>x 4</p>	<p>C</p>  <p>M6 x 10</p> <p>x 4</p>
---	---	--

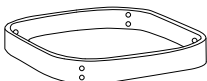
G



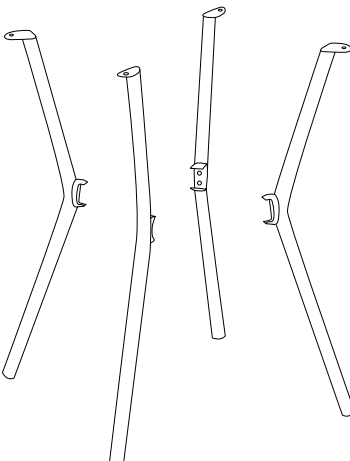
A


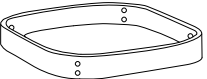
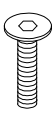
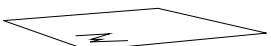


E

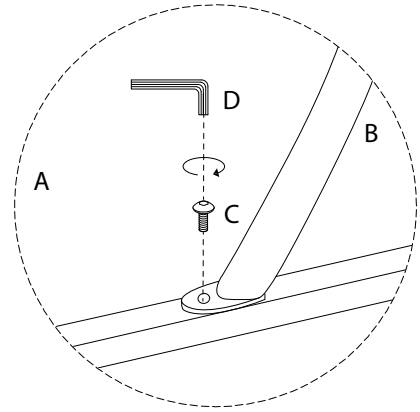
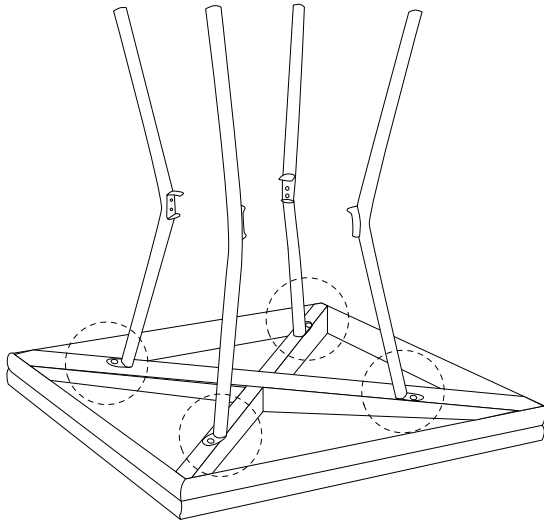
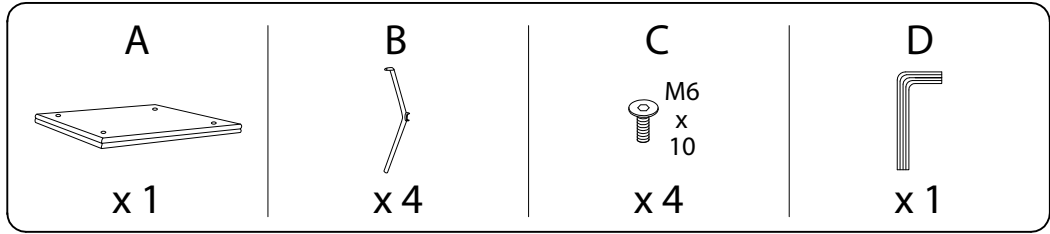


B x 4

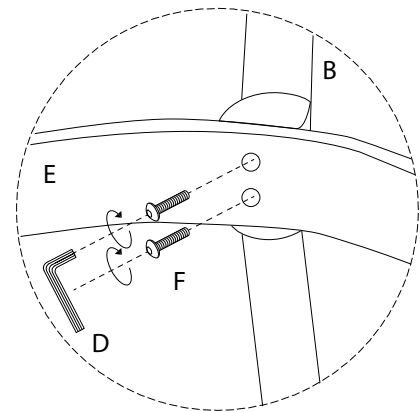
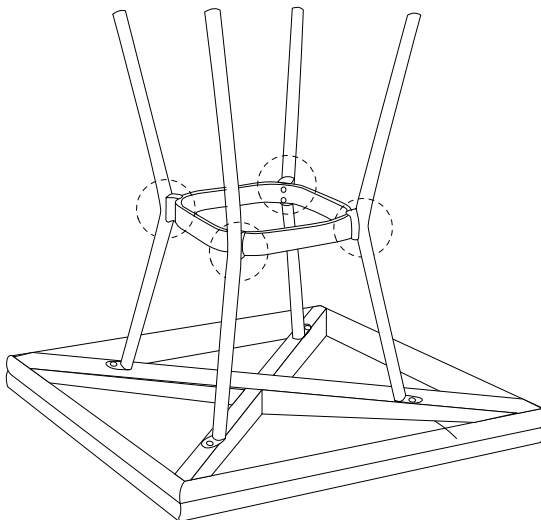
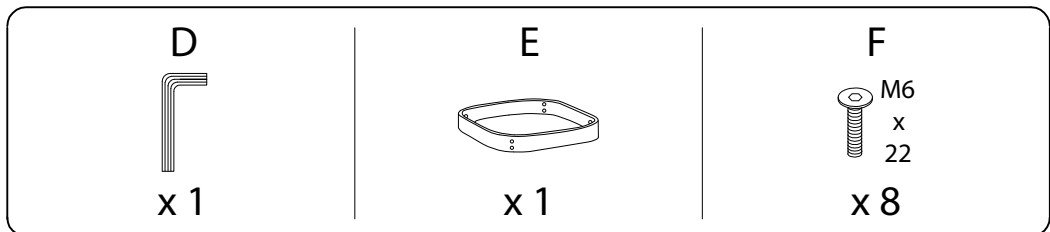


<p>D</p>  <p>x 1</p>	<p>E</p>  <p>x 1</p>	<p>F</p>  <p>M6 x 22</p> <p>x 8</p>	<p>G</p>  <p>x 1</p>
---	---	--	---

1



2



3

