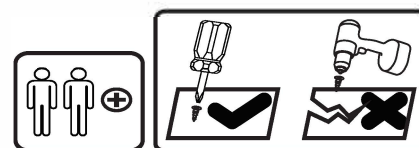
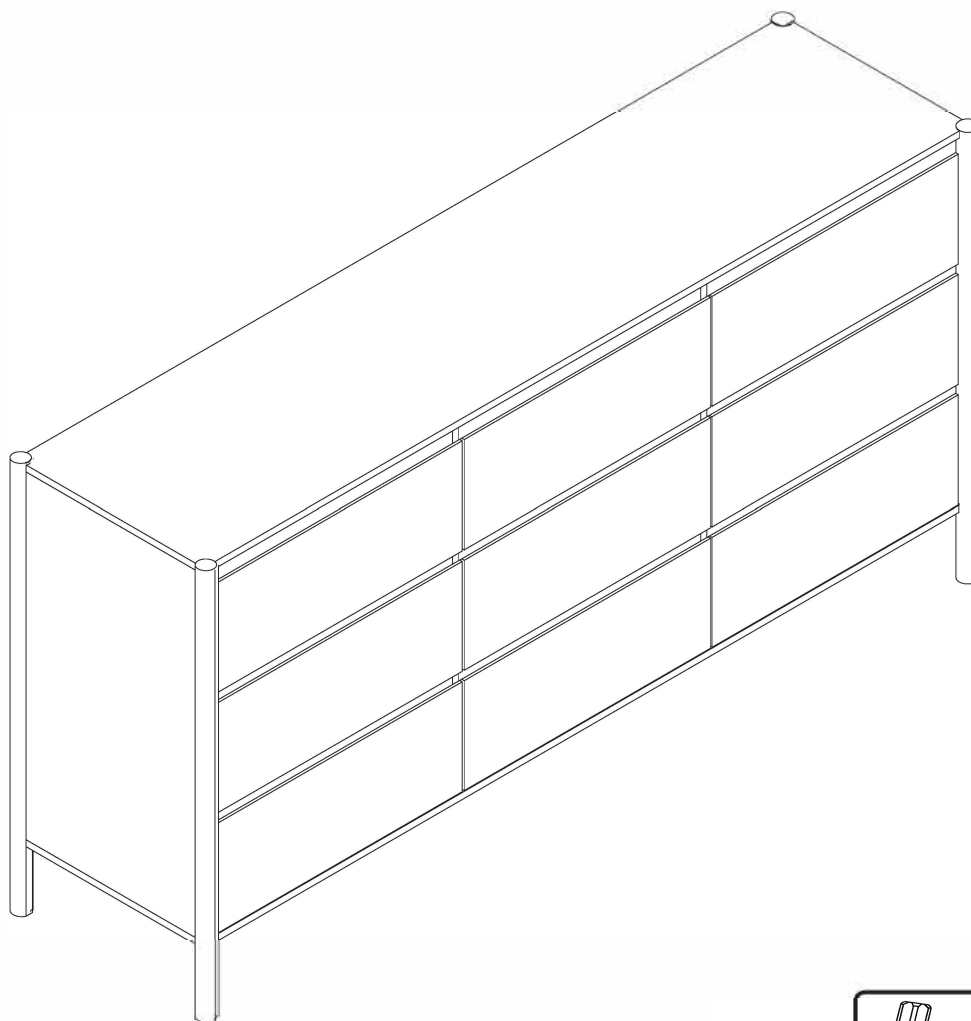


ASSEMBLY INSTRUCTIONS



Tools Recommended

THIS INSTRUCTIONS CONTAINS IMPORTANT SAFETY INFORMATION.
PLEASE READ BEFORE ASSEMBLY AND KEEP FOR FUTURE REFERENCE.

IMPORTANT NOTICE

- This product contains small components, please ensure that they are kept away from small children.
- THIS INSTRUCTIONS CONTAINS IMPORTANT SAFETY INFORMATION. PLEASE READ BEFORE ASSEMBLY AND KEEP FOR FUTURE REFERENCE.
- Read each step carefully. It is very important that each step of instruction is performed in the correct order. If these steps are not followed in sequence, assembly difficulties will occur.
- Make sure all parts are included. Most parts are labelled or stamped on the raw edge.
- Work in spacious area, preferably on a carpet, near the place the unit will be used.
- Do not use power tools to assemble your furniture. Power tools may strip or damage the parts.
- Move your new furniture carefully, with two people lift and carry the unit to it's new location.
- Never push, drag or pull your furniture (especially on carpet)



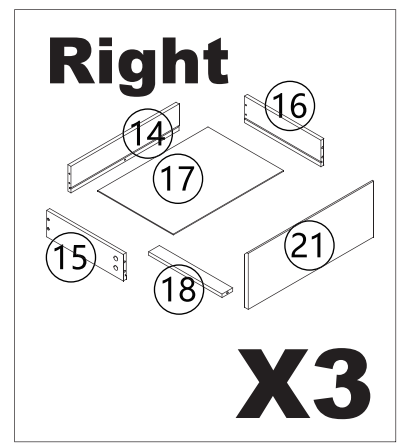
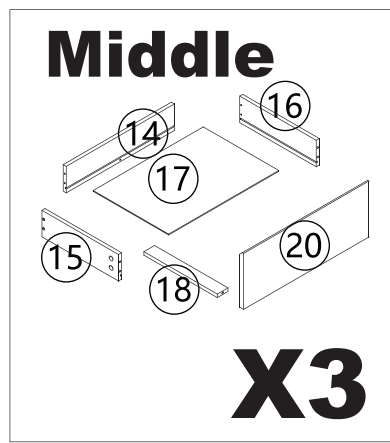
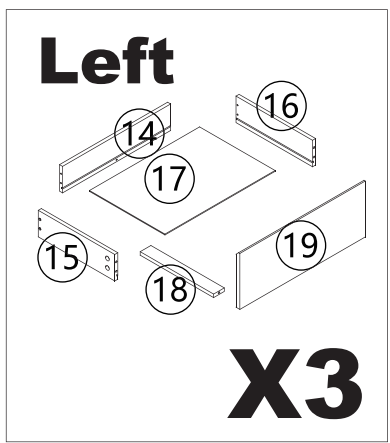
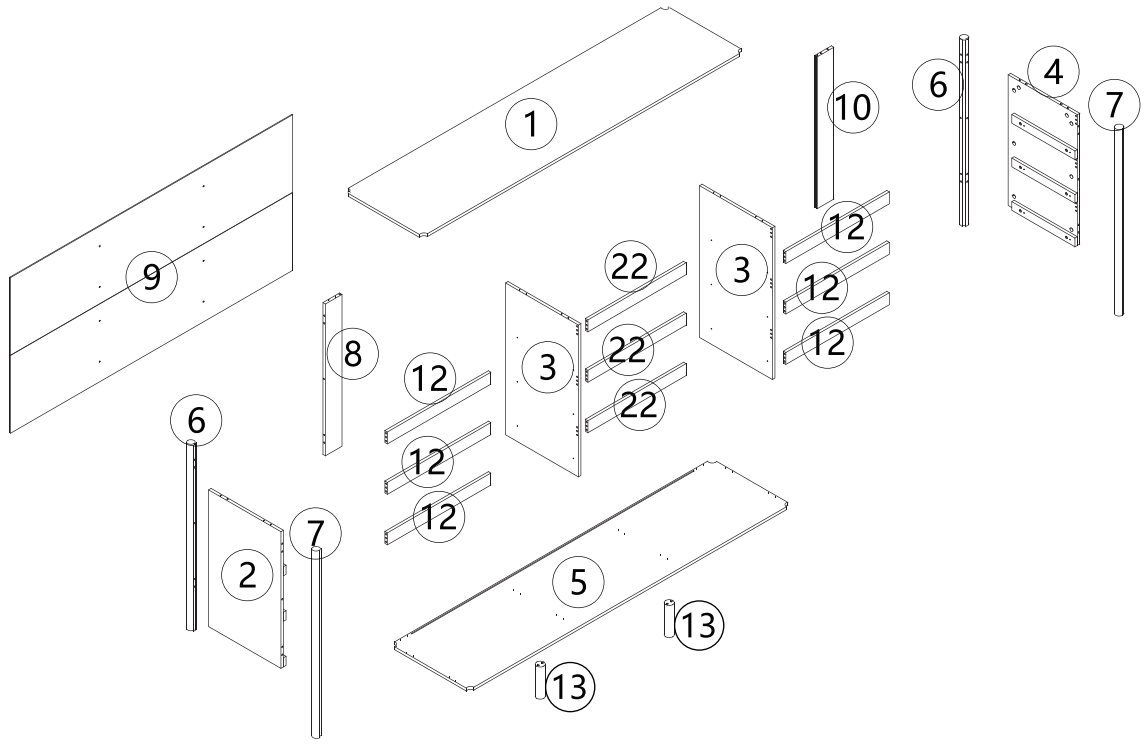
PLEASE DO NOT RETURN PRODUCT TO US IMMEDIATELY

If a part is missing or damaged, email our customer service. We will gladly ship your replacement parts FREE of charge.

Need Parts or Assistance?


For Prompt, reliable service, please have your assemble instruction ready.

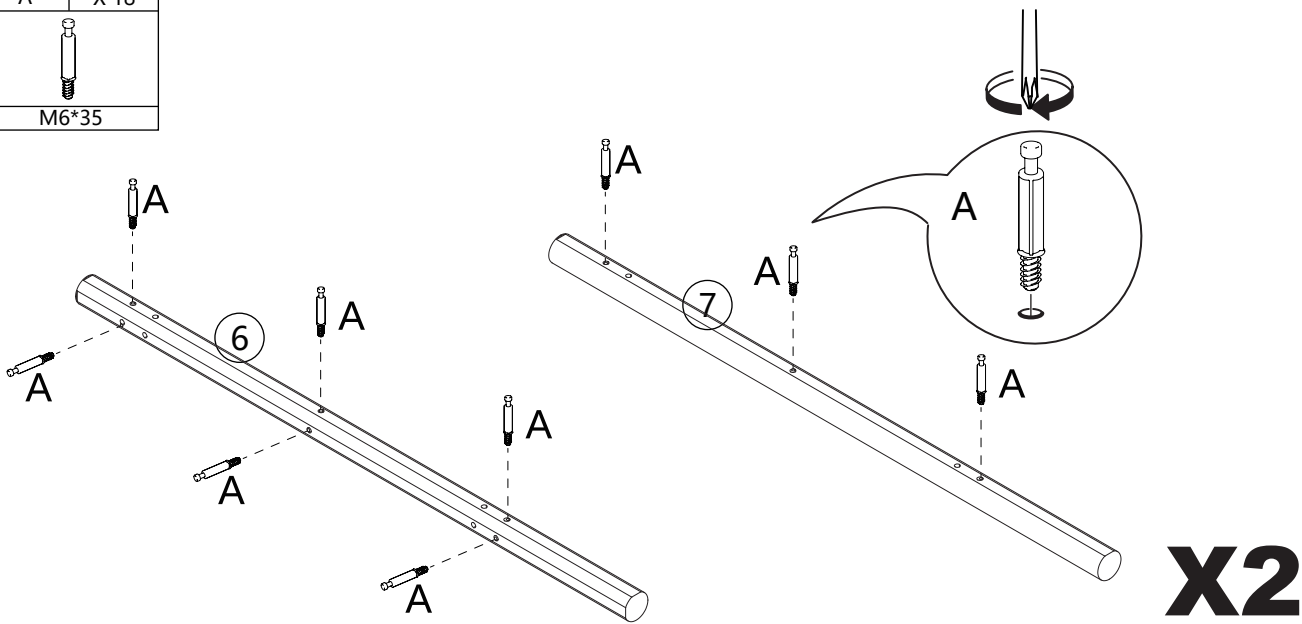
 WARNING	
	<p>Children have died from furniture tipover. To reduce the risk of furniture tipover:</p> <ul style="list-style-type: none">• ALWAYS install tipover restraint provided.• NEVER put a TV on this product.• NEVER allow children to stand, climb or hang on drawers, doors, or shelves.• NEVER open more than one drawer at a time.• Place heaviest items in the lowest drawers.
	





A	X 93	B	X 93	C	X 40	D	X 63	E	X 4	F	X 6	G	X 6
M6*35		φ15*10		φ8*30		M4*35		φ25*3		M3*14			
H	X 8	I	X 72	J	X 12	K	X 2	L	X 10	M	X 2	N	X 2
M4*20		M3*12		φ8*50				M4*12					
CL	X 9	CR	X 9	DL	X 9	DR	X 9						

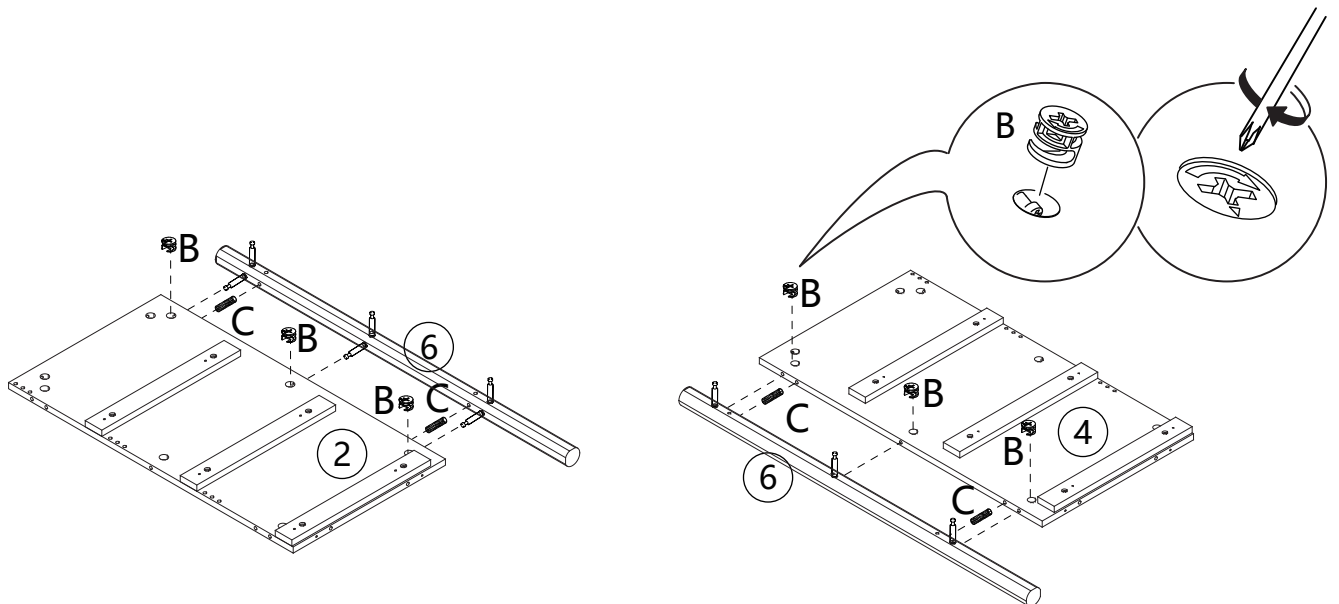
STEP1

A	X 18
	
M6*35	




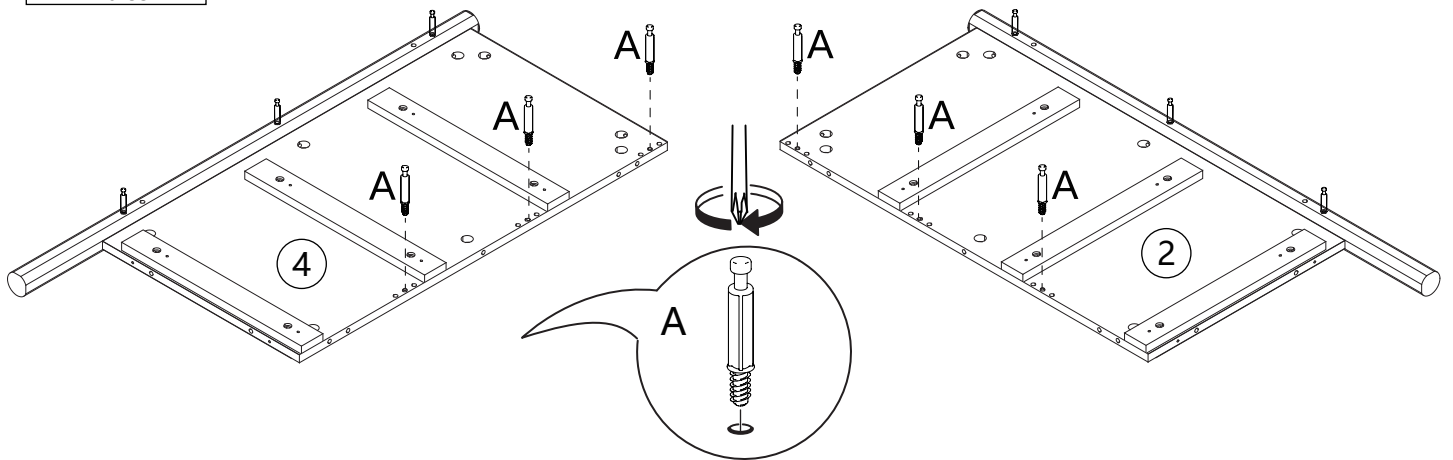
STEP2

B	X 6	C	X 4
			
$\phi 15*10$		$\phi 8*30$	







STEP3

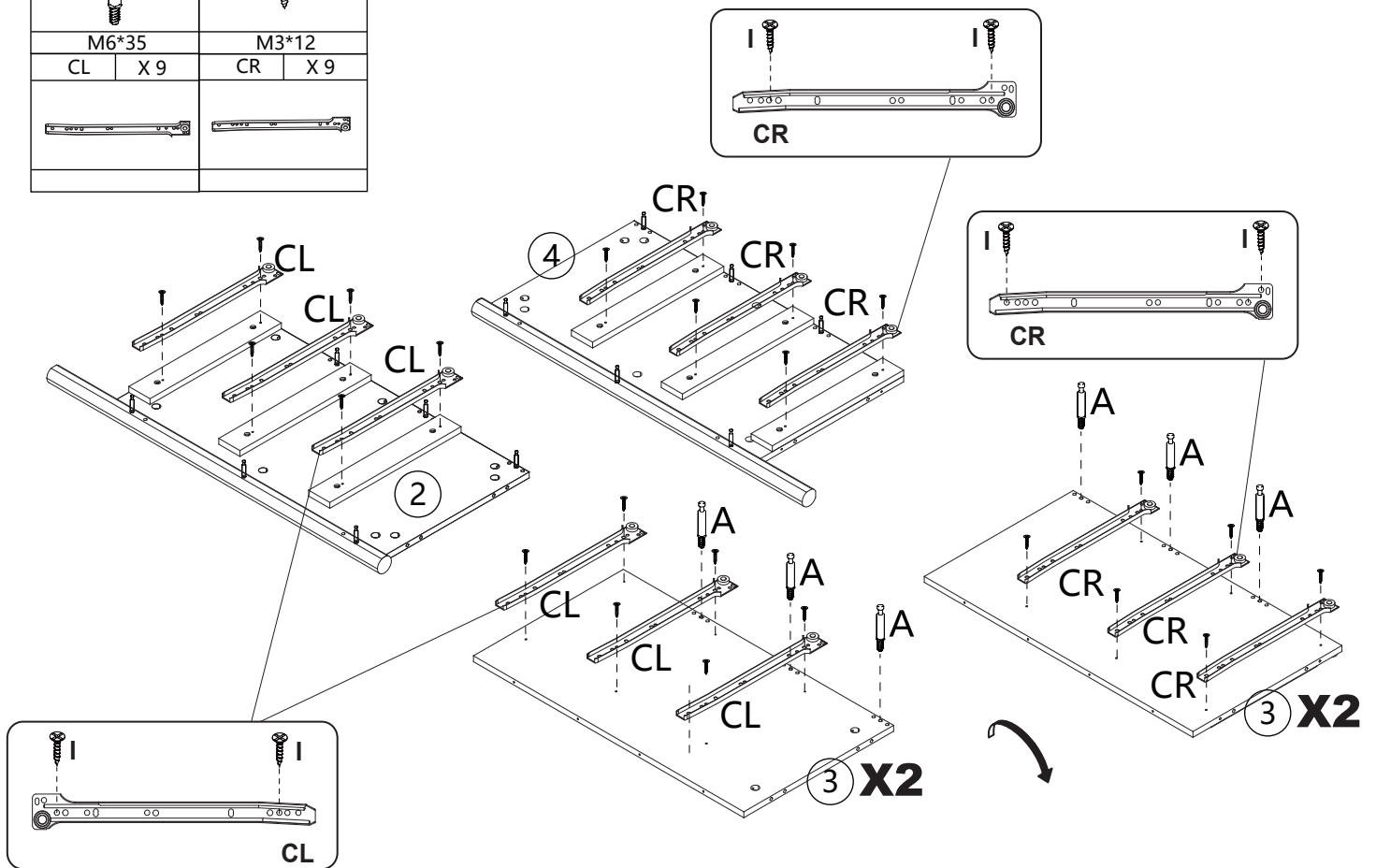
A	X 6
	
M6*35	





STEP4

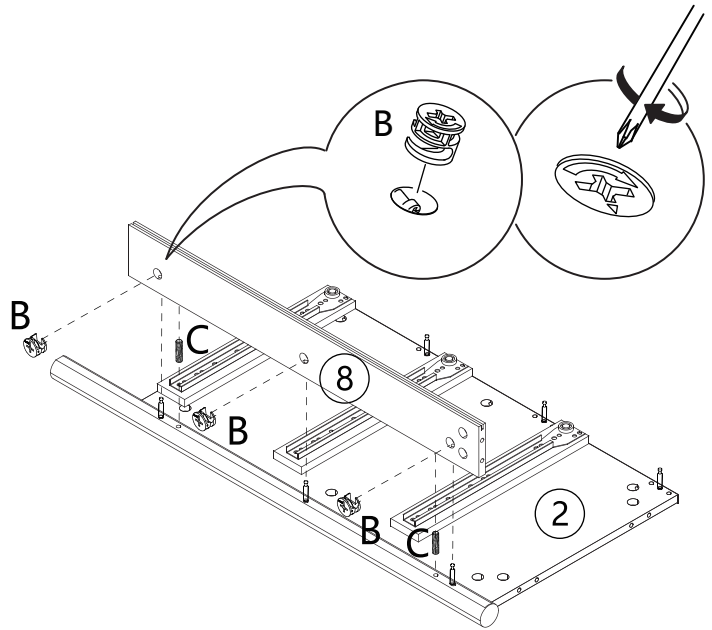
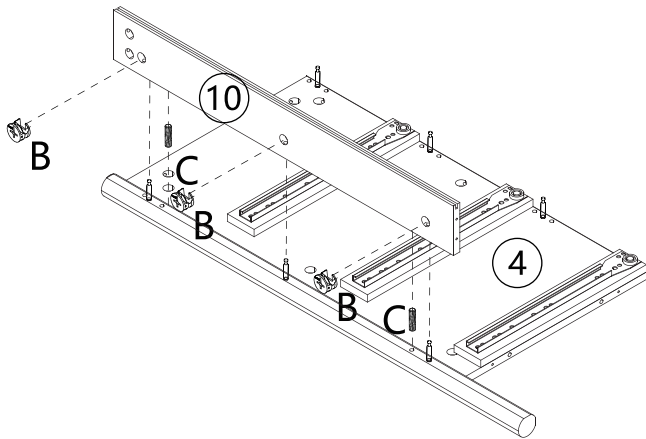
A	X 12	I	X 36
			
M6*35		M3*12	
CL	X 9	CR	X 9
			

Please note: In Step 4, Panel 3 needs to be rotated 180° as shown. This product includes two #3 panels.


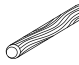


STEP5

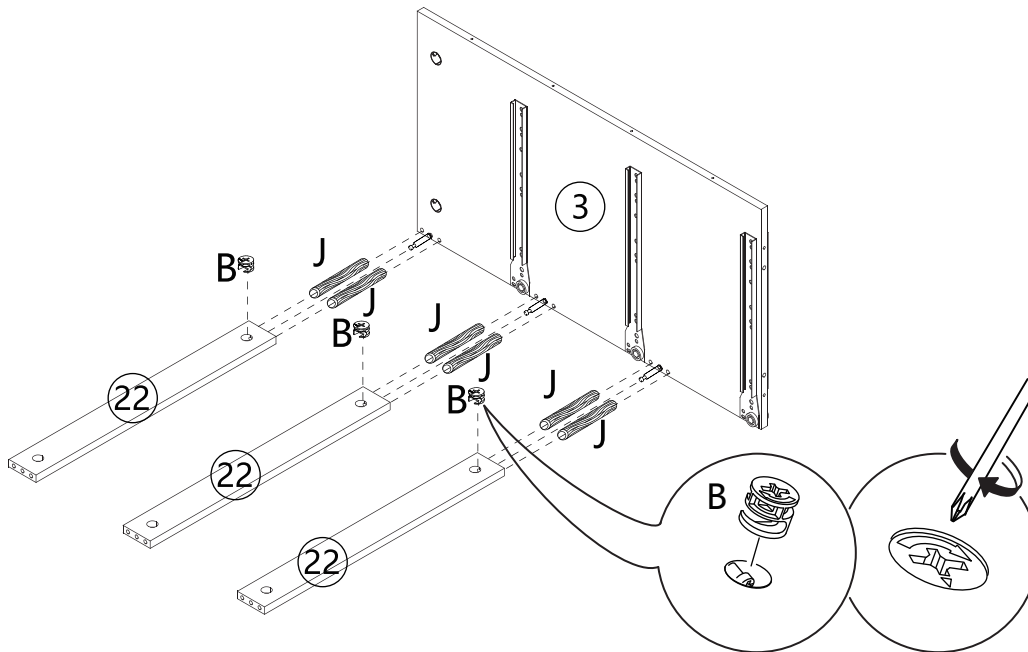
B	X 6	C	X 4
			
$\phi 15 \times 10$		$\phi 8 \times 30$	





STEP6

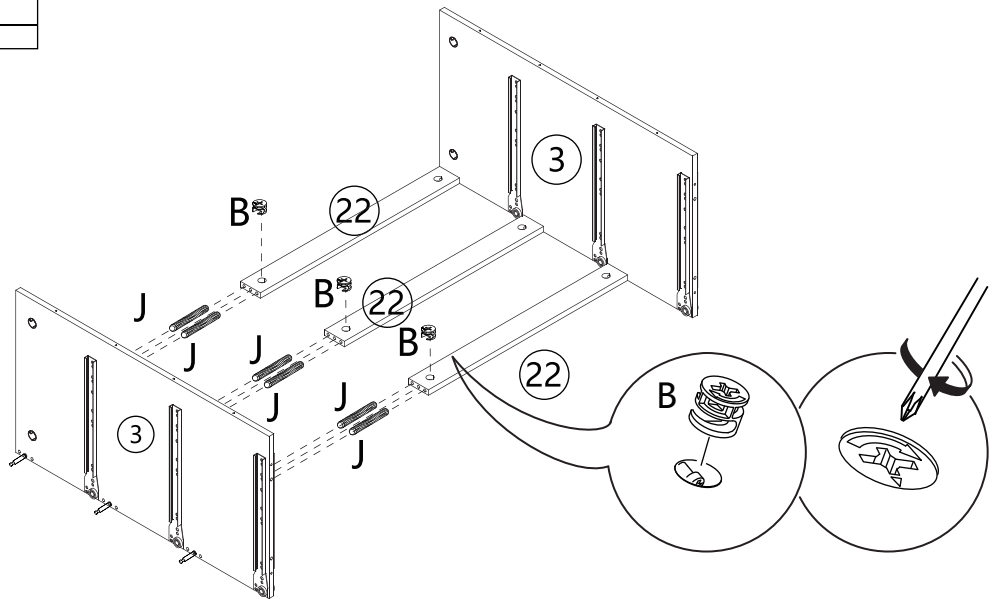
B	X 3	J	X 6
			
$\phi 15 \times 10$		$\phi 8 \times 50$	

For part #3, insert the J piece into the middle position of the hole, ensuring it is visible.




STEP7

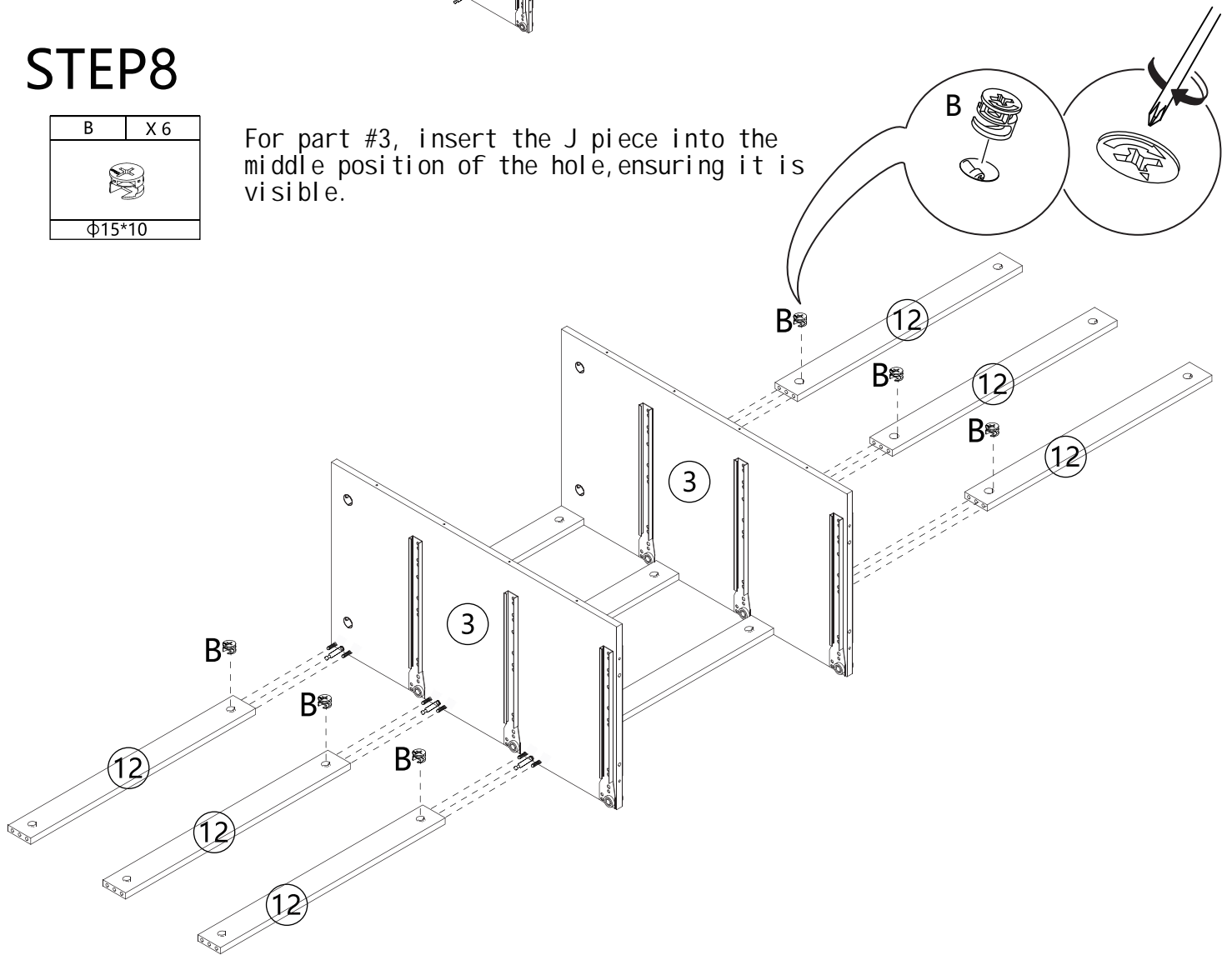
B	X 3	J	X 6
			
Φ15*10		Φ8*50	





STEP8

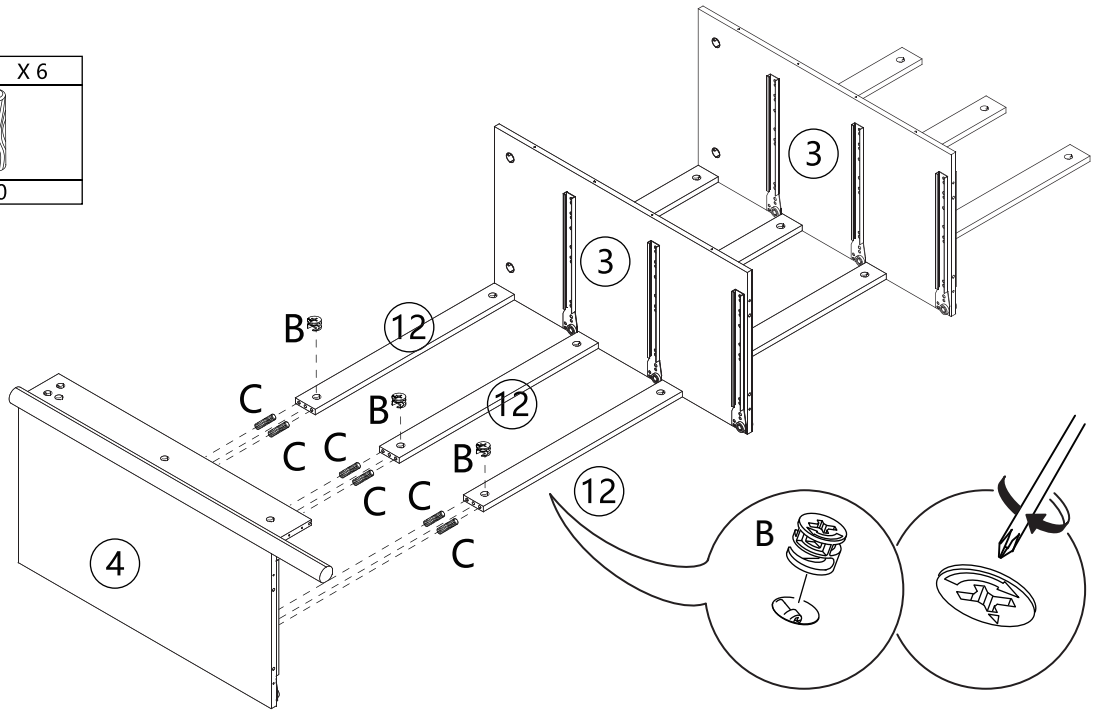
B	X 6
	
Φ15*10	

For part #3, insert the J piece into the middle position of the hole, ensuring it is visible.





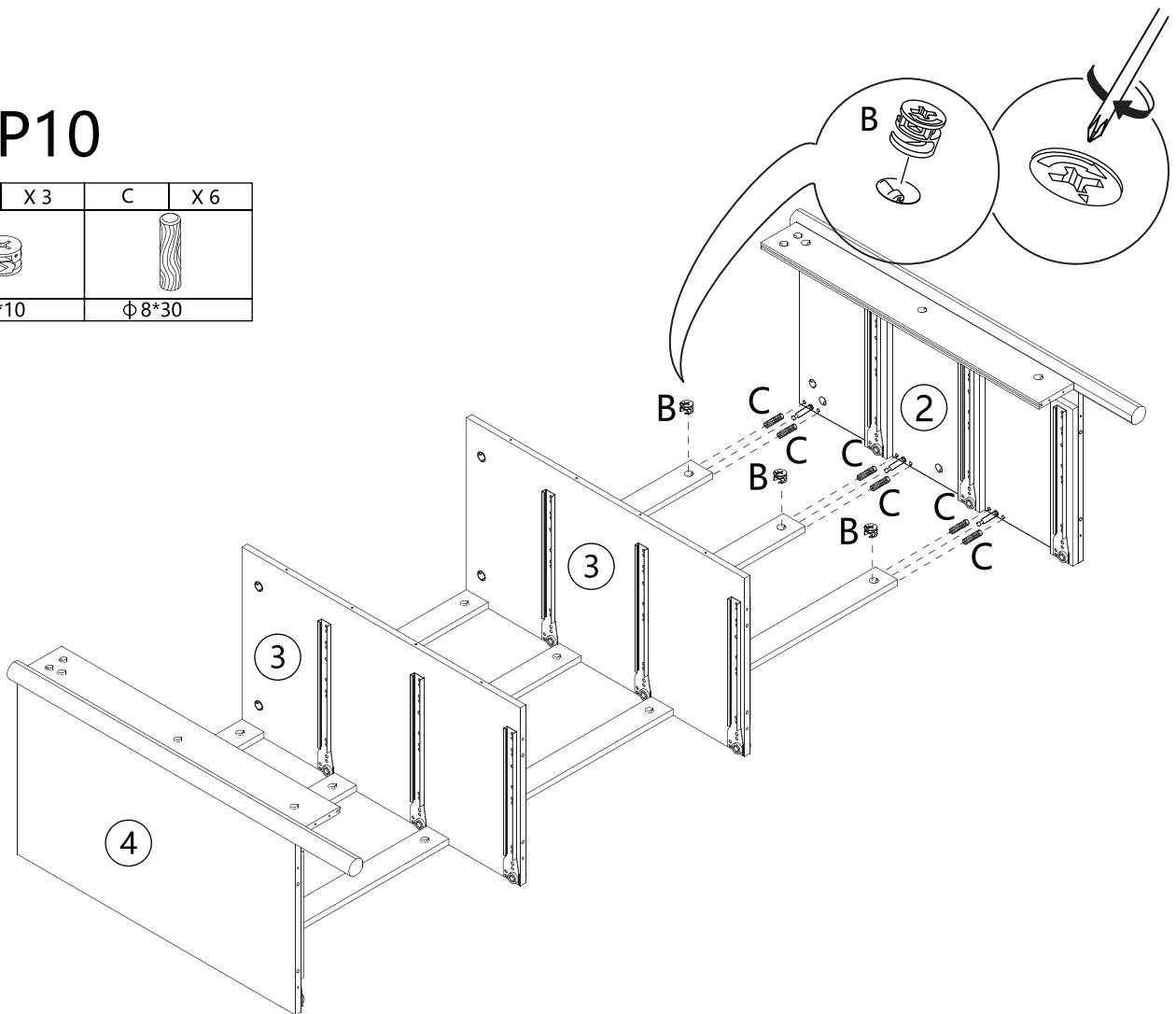
STEP 9

B	X 3	C	X 6
			
$\phi 15 \times 10$		$\phi 8 \times 30$	




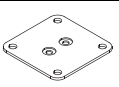


STEP 10

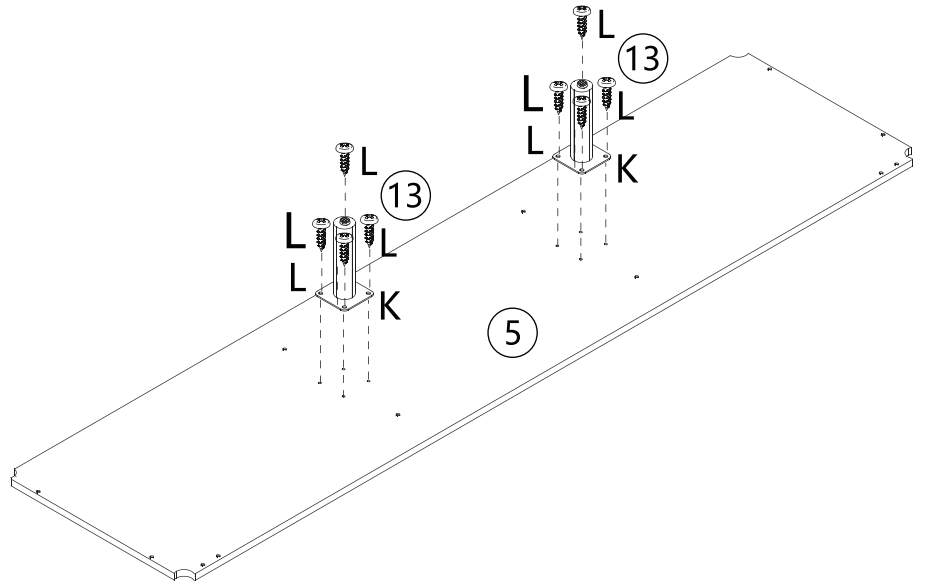
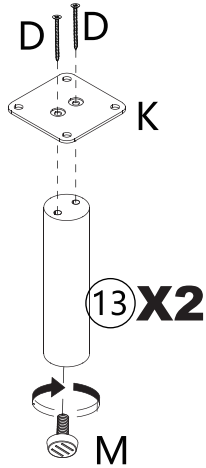
B	X 3	C	X 6
			
$\phi 15 \times 10$		$\phi 8 \times 30$	





STEP 11

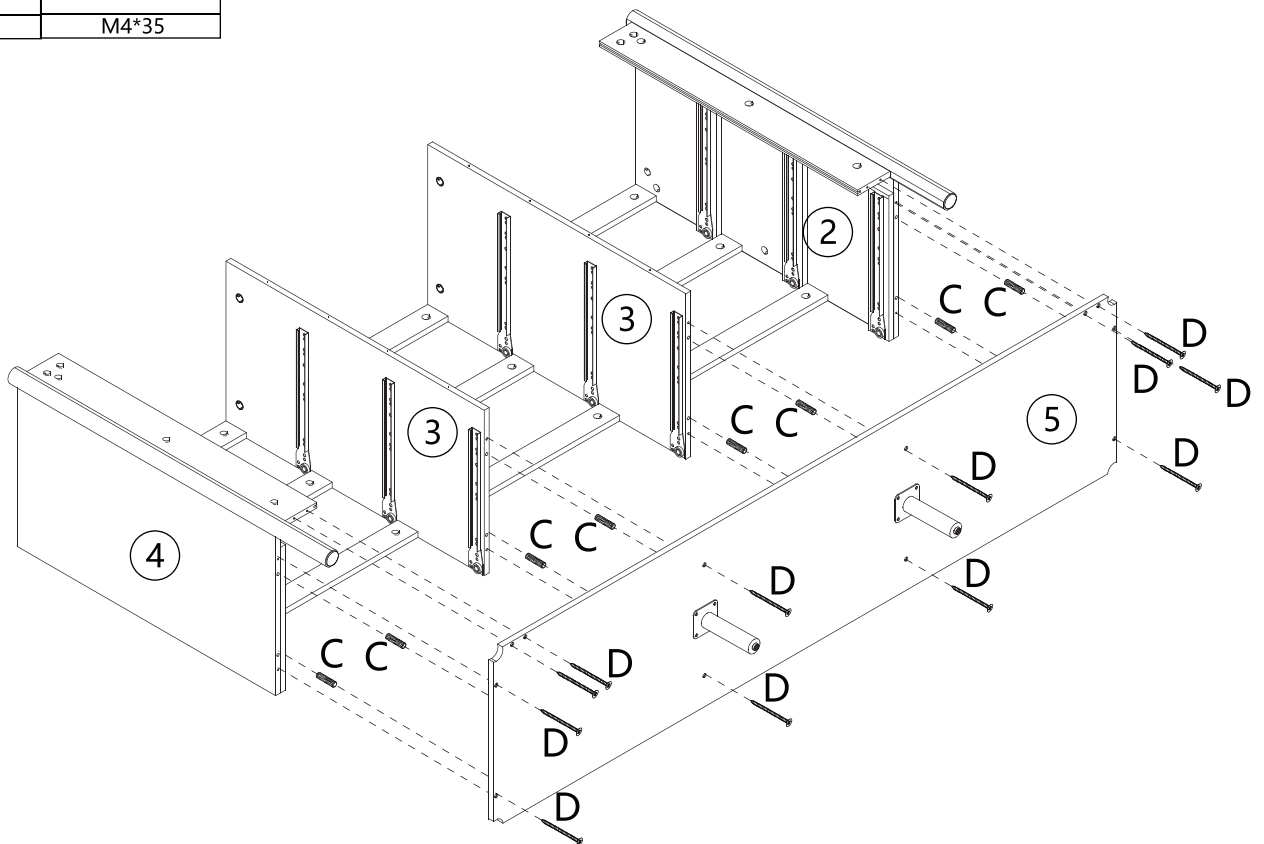
First, install leg #13 according to the steps. Then, turn leg #13 upward and secure the bottom plate K with screw L.

D	X 4	K	X 2
			
M4*35			
L	X 8	M	X 2
			
M4*12			

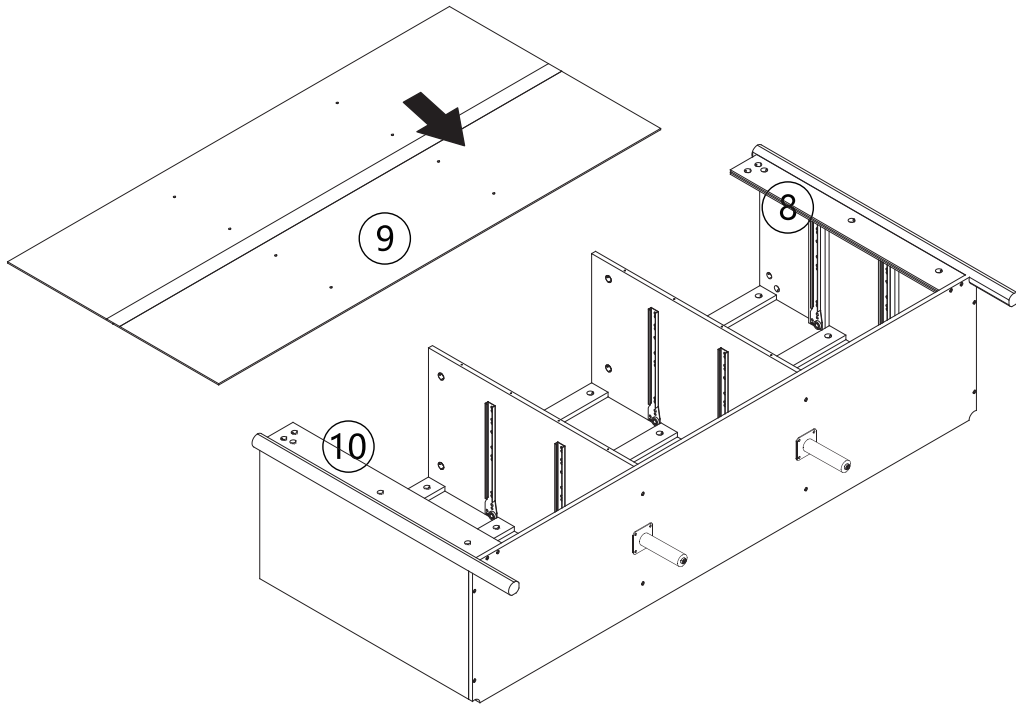


STEP 12


C	X 8	D	X 12
			
Φ 8*30		M4*35	

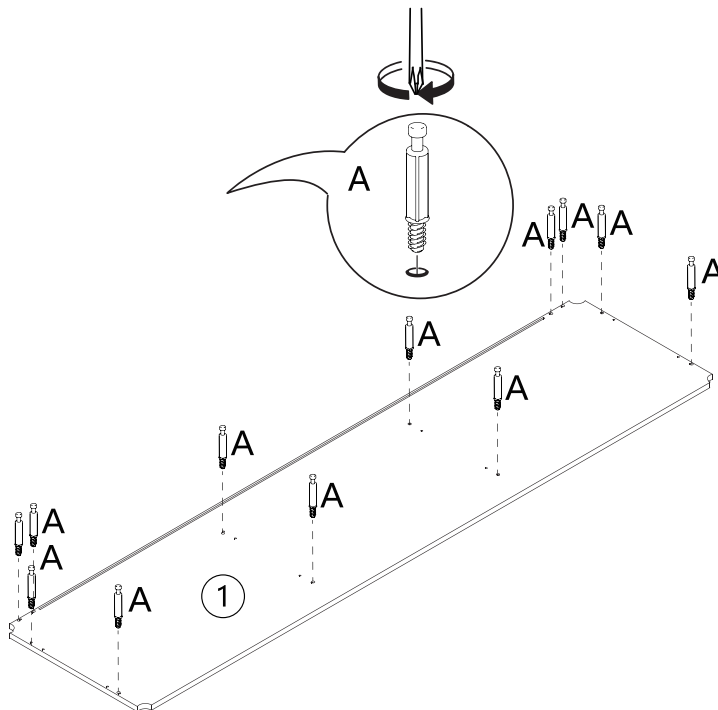


STEP13





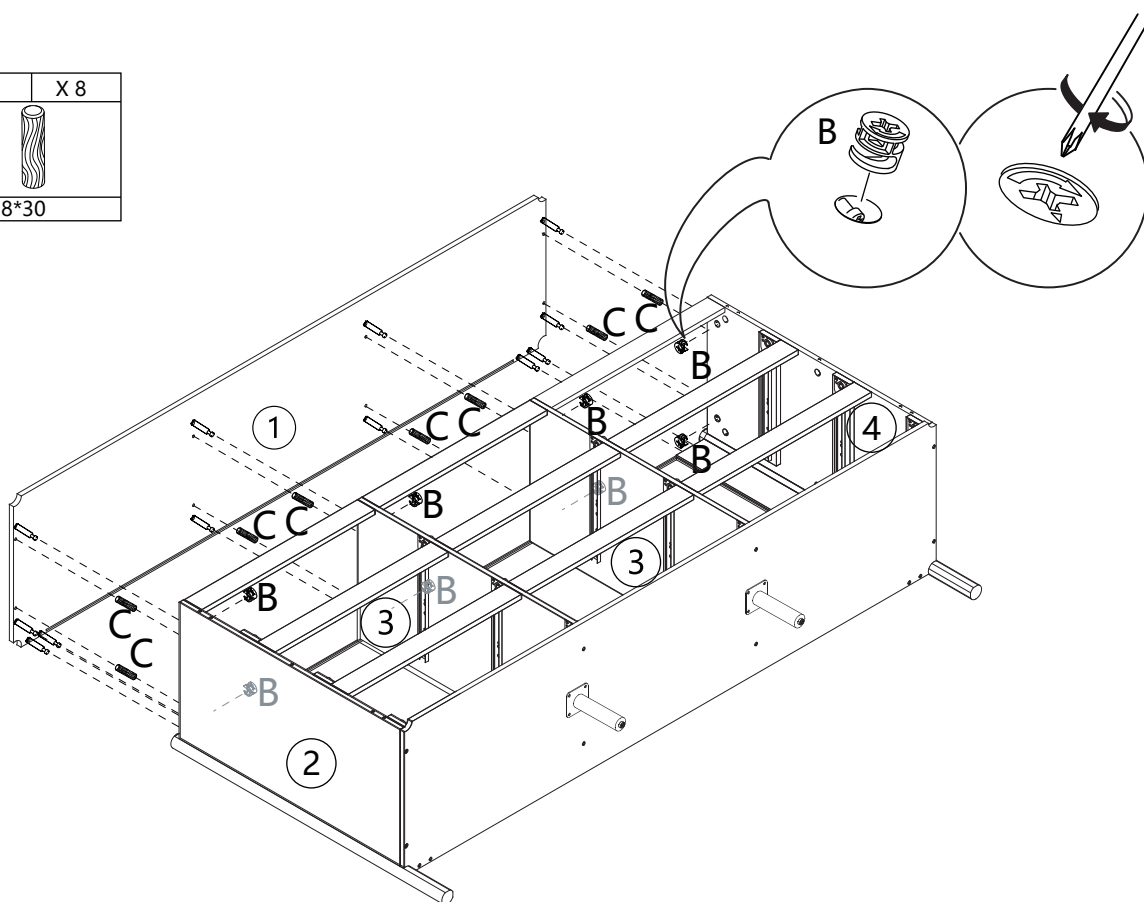
STEP14

A	X 12
	
M6*35	






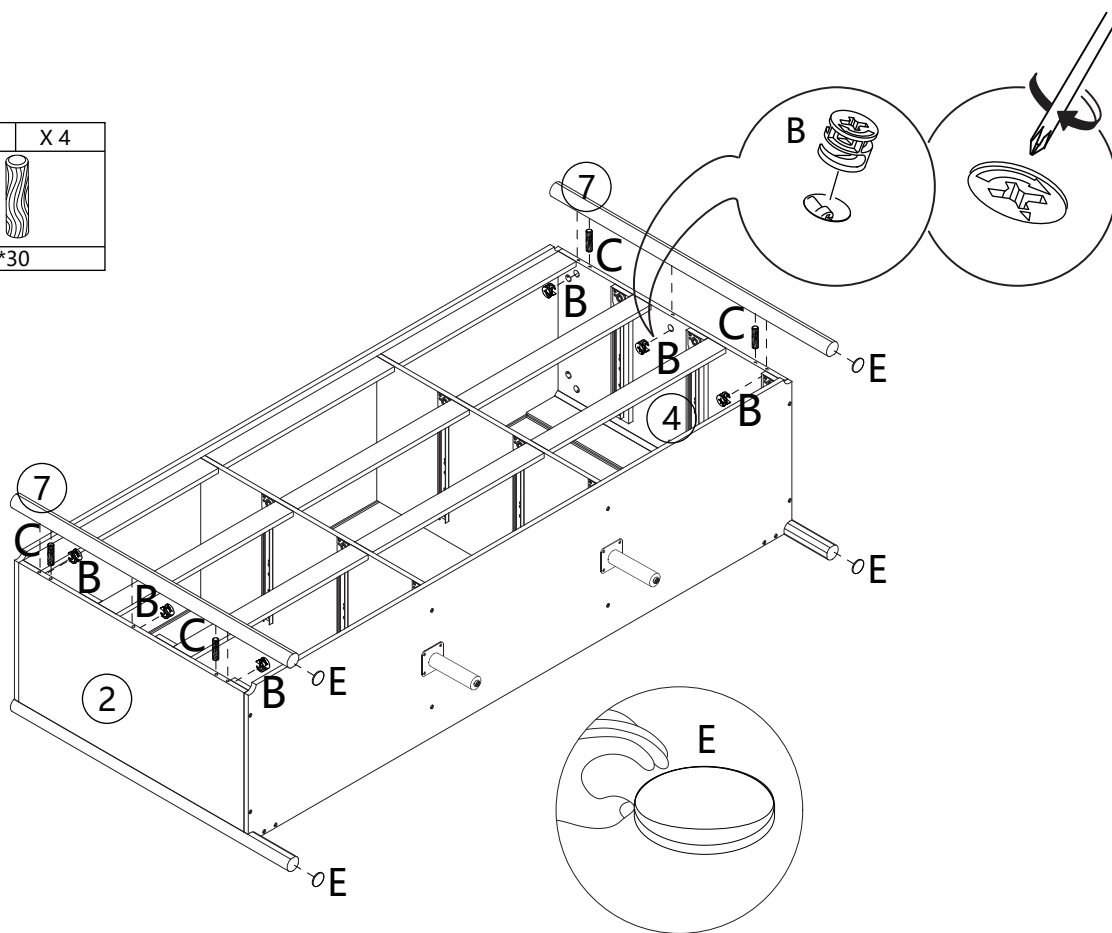
STEP15

B	X 8	C	X 8
			
$\phi 15 \times 10$		$\phi 8 \times 30$	




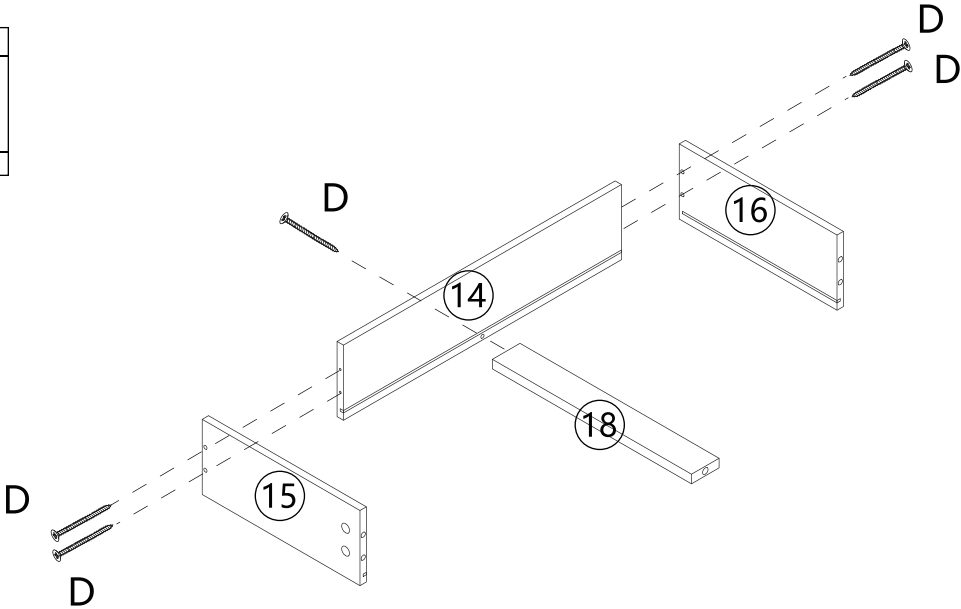
STEP16

B	X 6	C	X 4
			
$\phi 15 \times 10$		$\phi 8 \times 30$	
E	X 4		
			
$\phi 25 \times 3$			



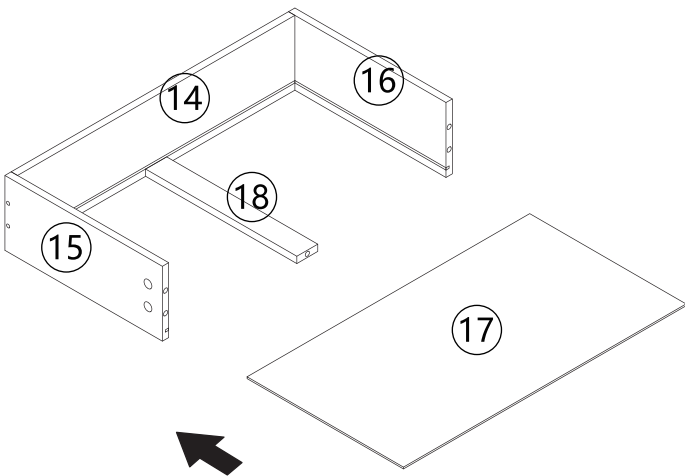
STEP17

D	X 45
	
M4*35	




X9

STEP18

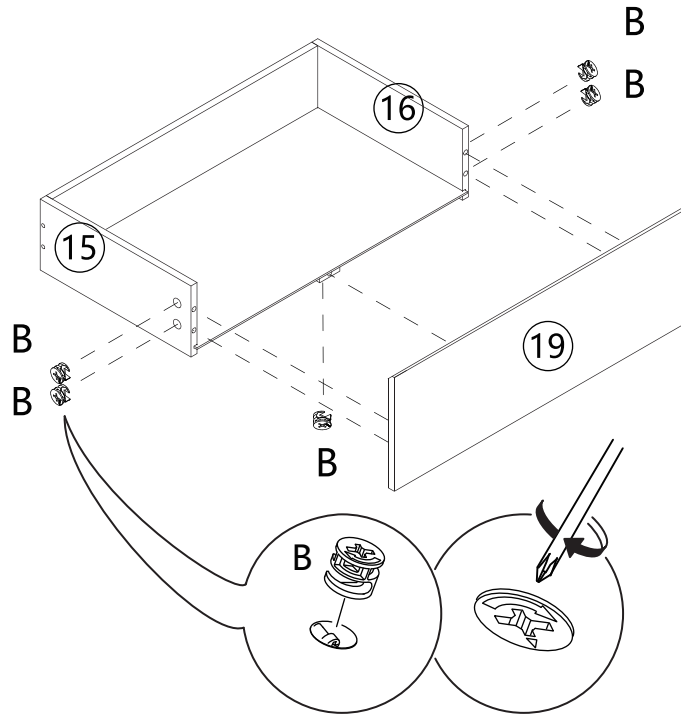
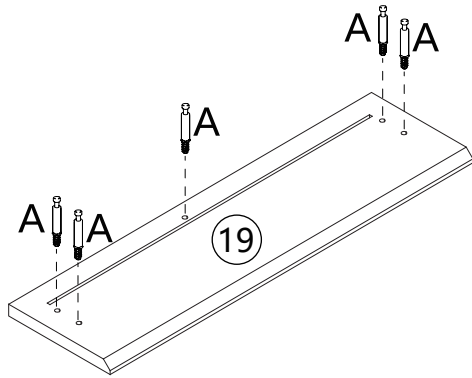


X9

STEP19



A	X 15	B	X 15
			
M6*35		Φ15*10	

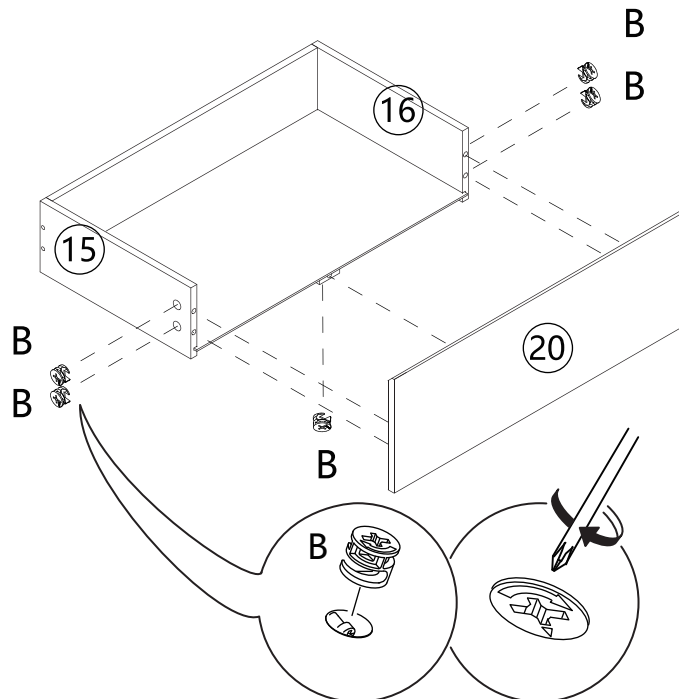
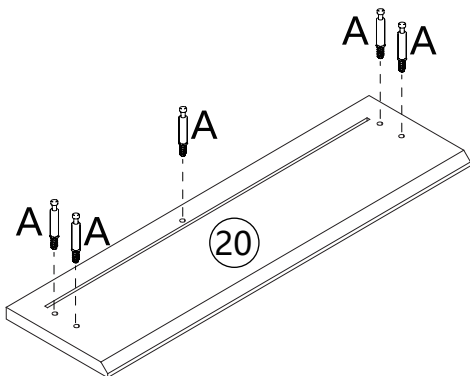
First, install screw A into the back holes of part # 19, #20 and # 21. Then, align and part #19, #20 #21 into the corresponding drawer holes.



**Left
X3**



STEP20

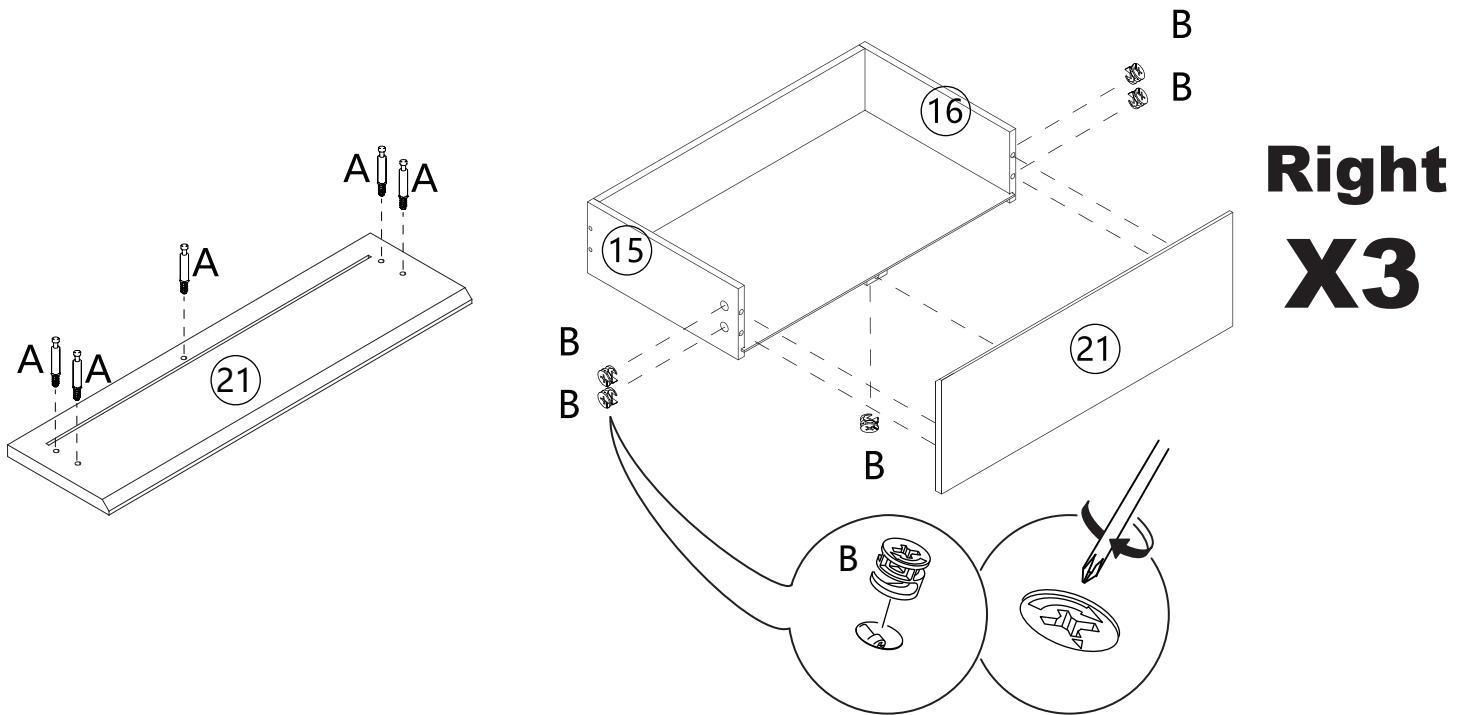
A	X 15	B	X 15
			
M6*35		Φ15*10	






**Middle
X3**

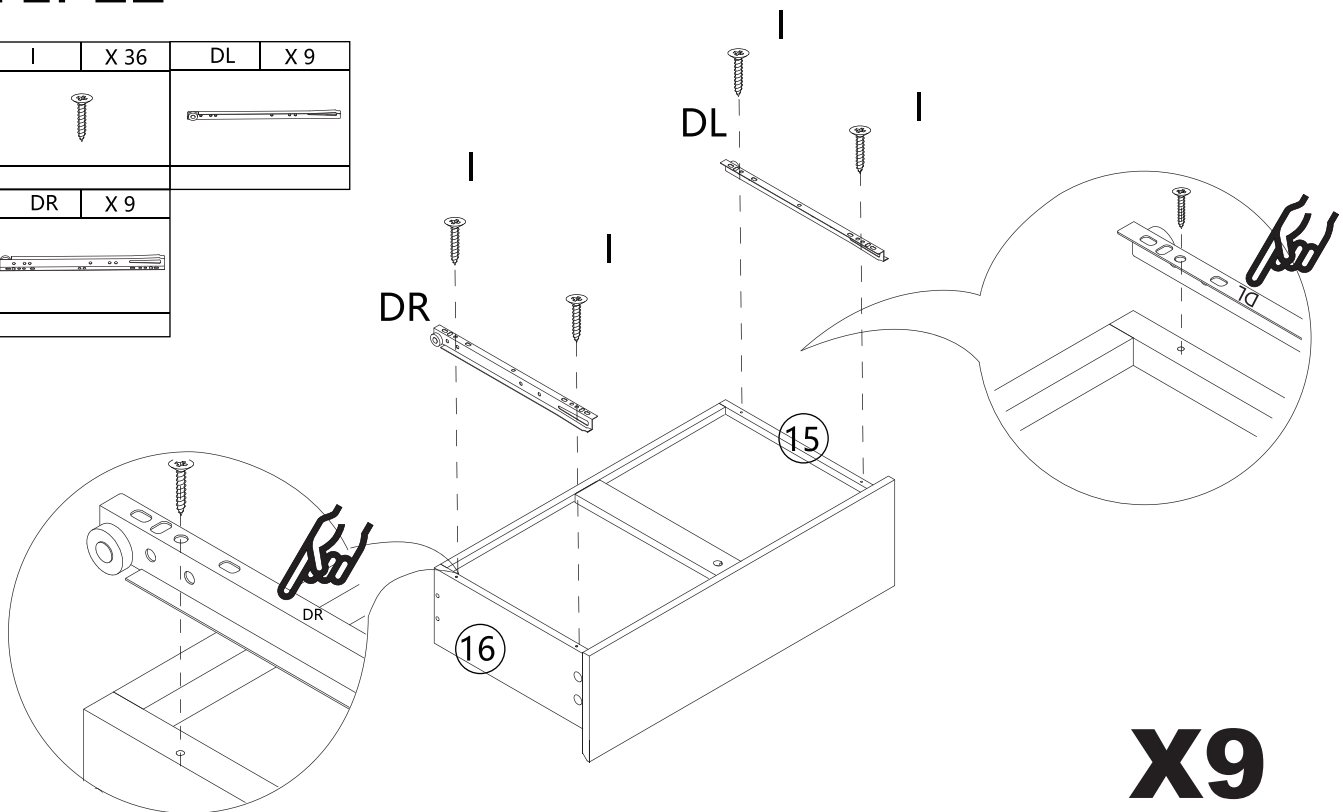
STEP21

A	X 15	B	X15
			
M6*35		Φ15*10	



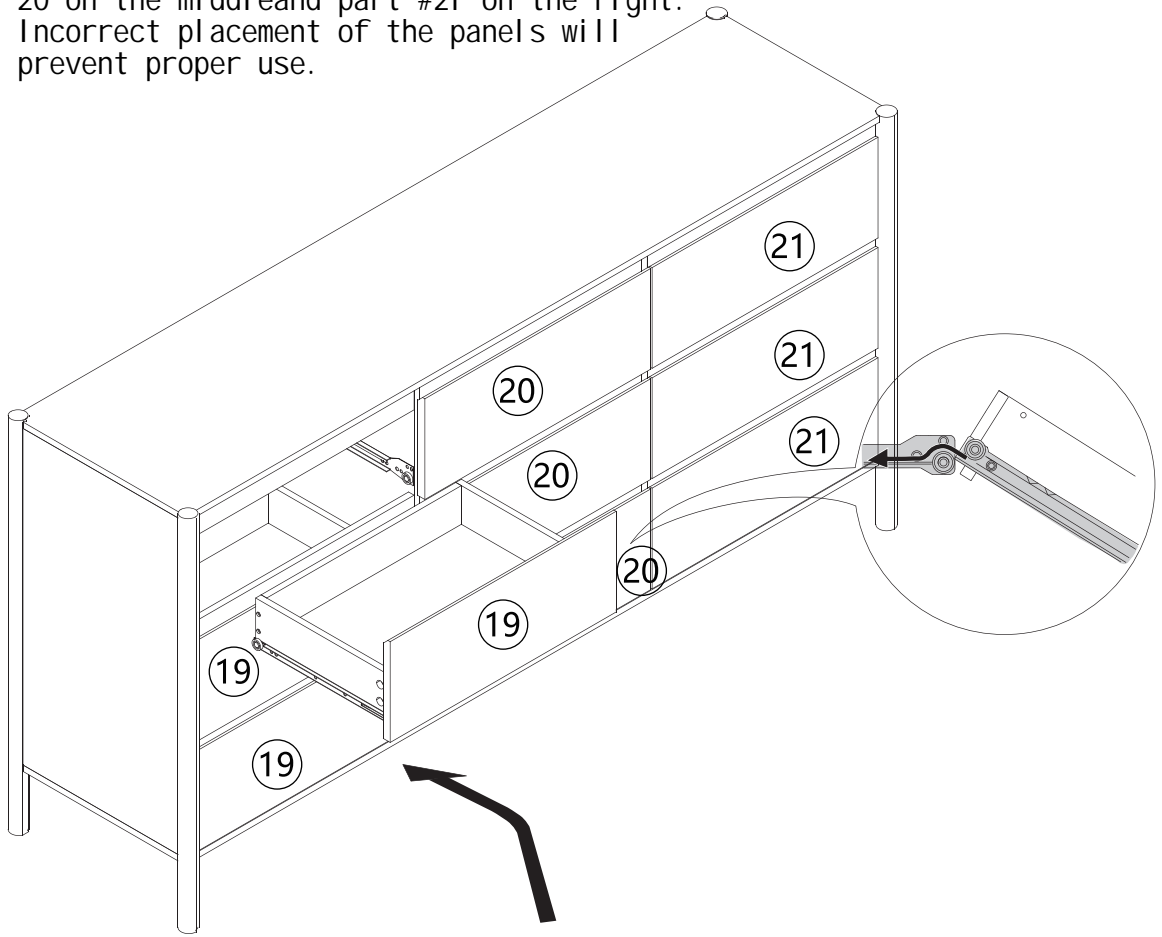
STEP22

I	X 36	DL	X 9
			
DR	X 9		
			







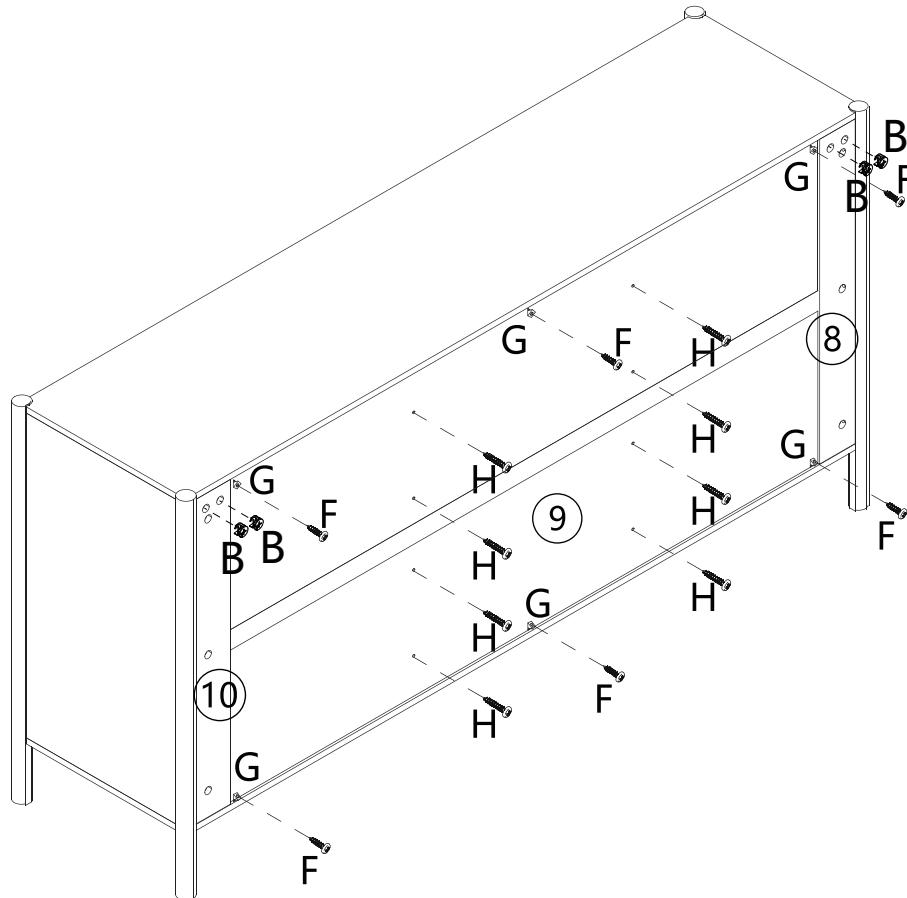
STEP23

Please Note: part #19 on the left and part # 20 on the middle and part #21 on the right. Incorrect placement of the panels will prevent proper use.






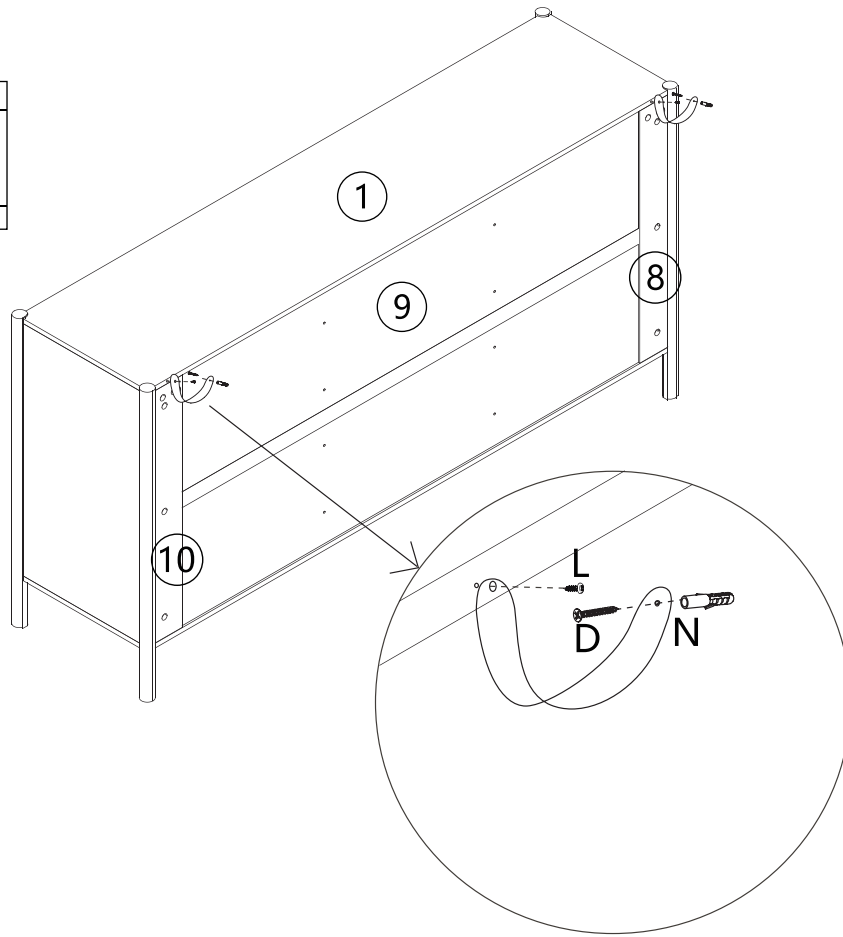
STEP24

B	X 4	F	X 6
			
Φ15*10		M3*14	
G	X 6	H	X 8
			
M4*20			



STEP25

D	X 2	L	X 2
			
M4*35		M4*12	
N	X 2		
			



STEP26

