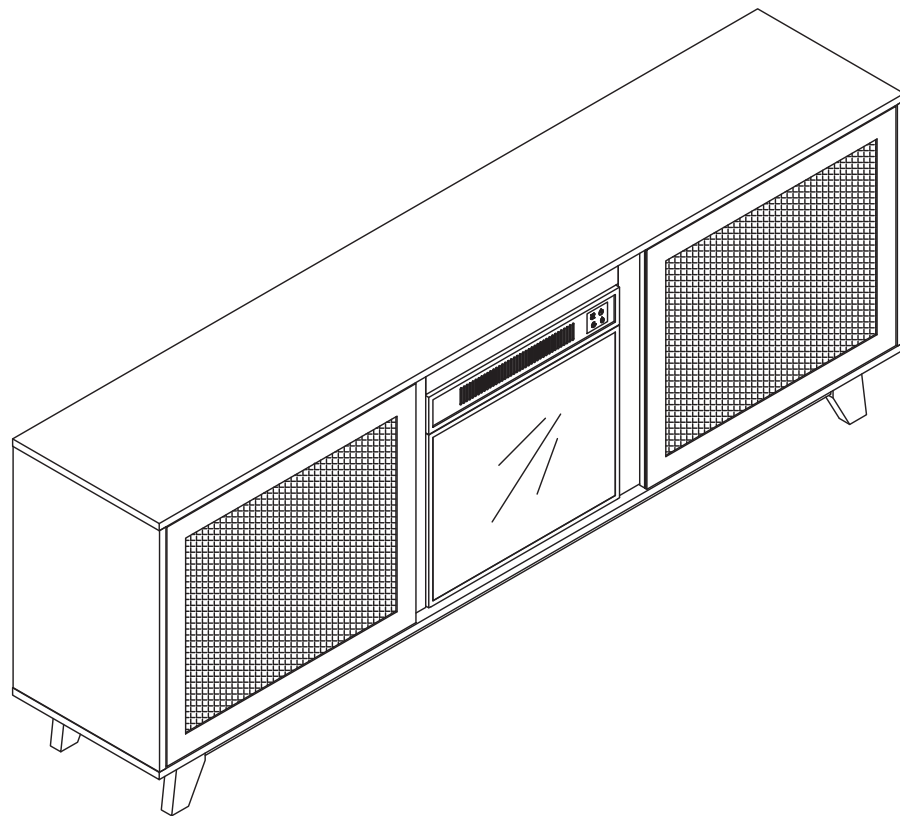




VINGLI FIREPLACE TV STAND

ASSEMBLY INSTRUCTION



Thank you for purchasing from VINGLI!
Please contact us via email if parts are missing or damaged, we will gladly ship your replacement parts free of charge

⚠ IMPORTANT

THIS INSTRUCTION BOOKLET CONTAINS IMPORTANT SAFETY INFORMATION.
PLEASE READ AND KEEP FOR FUTURE REFERENCE.

RETURN & WARRANTY

Thank you for choosing our product!

We would like to take this opportunity to thank you for choosing VINGLI.

We hope that you are completely satisfied with your purchase, and enjoy it for years to come.

Your satisfaction is our highest pursuit.

Return policy

VINGLI believes you will absolutely love your furniture, but if for some reason you want to return the product, please contact us directly before you decide to return your product to the retailer. Our Customer Service organization can answer most concerns and can assist you with any questions you may have about your new product.

The item must be returned in good condition, in original box, with all original proof of purchase, parts and accessories, within the time frame specified by the retailer it was purchased from.

Warranty

VINGLI warrants this product to be free from defects in material and workmanship agrees to remedy any such defect. This warranty covers one year from the date of original purchase. This is solely limited to be repair or replacement of defective parts and no assembly labor is included.

This warranty does not apply to any product which has been improperly assembled, subjected to misuse or abuse or which has been altered or repaired in any way.

Components repaired or replaced warranted through the remainder of the original warranty period only. The defective components will be repaired or replaced without charge, subject to the terms and conditions described above.

For help with assembly, identifying parts, product information or to order parts, please contact us freely.

BEFORE STARTING

Before Using Product



- Read each step carefully before starting. It is very important that each step is performed in the correct order. If these steps are not followed in sequence, assembly difficulties will occur.



- Make sure all parts are included. Most board parts are labeled or stamped on the raw edge.

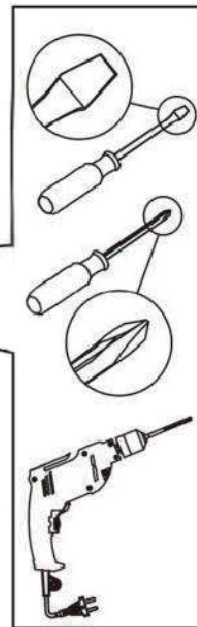
- Prepare a flat and Philips screwdriver (not included)
A Power Screwdriver is recommended.



- Work in a spacious area and near where the unit will be used, preferably on a carpet, or use a piece of the cardboard packaging to protect your floor and product.



- For a smooth assembly process, we suggest you keep a lite tightness for all the screws during assembly. After the whole product is assembled, firmly tighten all the screws.



Estimated People for Assembly

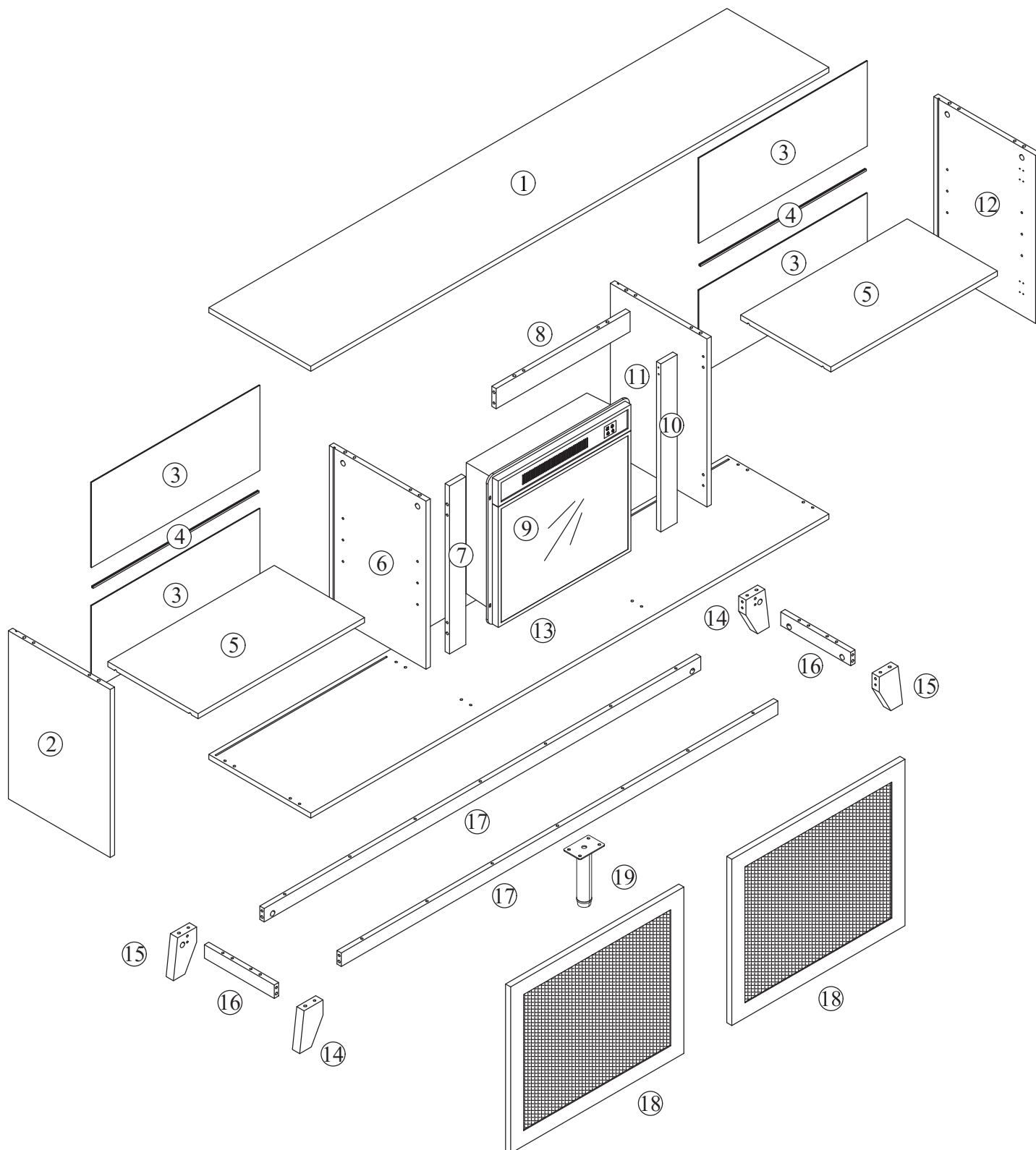
2

WARNING:

- Do not allow children to climb on unit
- Serious or fatal crushing injuries can occur from furniture tip-over. To prevent this furniture from tipping over, it must be permanently fixed to the wall. Fixing devices for the wall are not included since different wall materials require different types of fixing devices. Use fixing devices suitable for the walls in your home. For advice on suitable fixing systems, contact your local specialized dealer
- Avoid sharp objects or corrosive chemicals to prevent damage to the product
- During assembly, keep parts and packaging materials away from children and pets as there could be potential injury and choking hazards

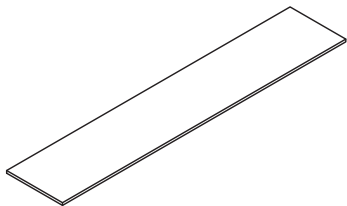
IDENTIFY PARTS

One unit



COMPONENTS

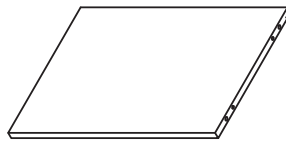
1



1779x349x15mm

Top Panel x1

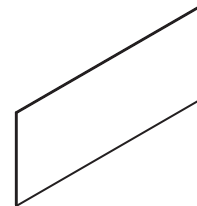
2



500x349x15mm

Left Side Panel x1

3



579x254mm

Back Panel x4

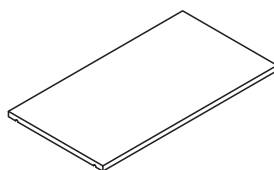
4



573mm

Plastic Strip x2

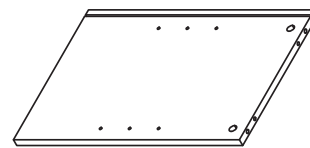
5



572x309x15mm

Adjustable Shelf x2

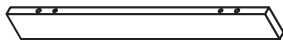
6



500x331x15mm

Middle Left Panel x1

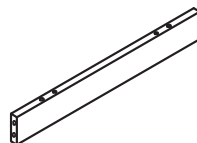
7



500x56x15mm

Middle Left Wood Strip x1

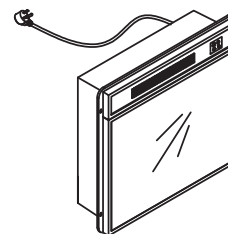
8



460x60x15mm

Middle Wood Strip x1

9

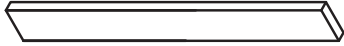


620x440x130mm

Fireplace x1

COMPONENTS

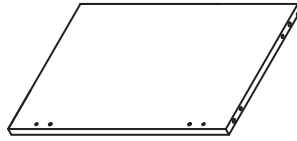
10



500x56x15mm

Middle Right Wood Strip x1

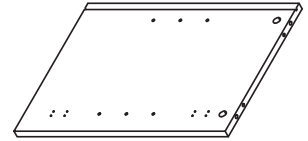
11



500x331x15mm

Middle Right Panel x1

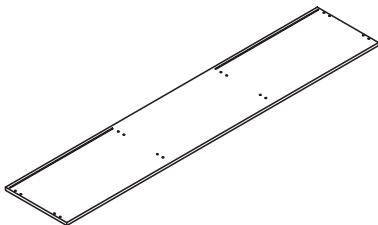
12



500x349x15mm

Right Side Panel x1

13



1779x349x15mm

Bottom Panel x1

14



120x79x25mm

Support Leg I x2

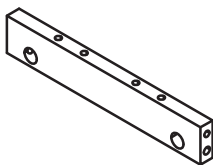
15



120x79x25mm

Support Leg II x2

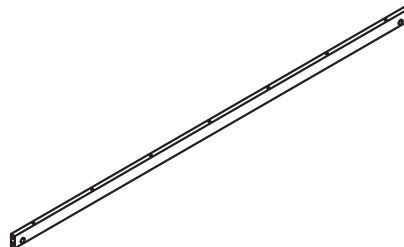
16



240x39x15mm

Bottom Brace Panel I x2

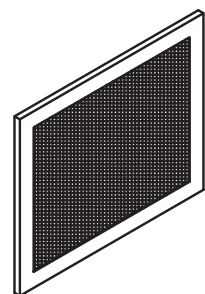
17



1500x39x15mm

Bottom Brace Panel II x2

18

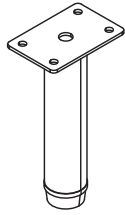


594x494x17mm

Door Panel x2

COMPONENTS

19



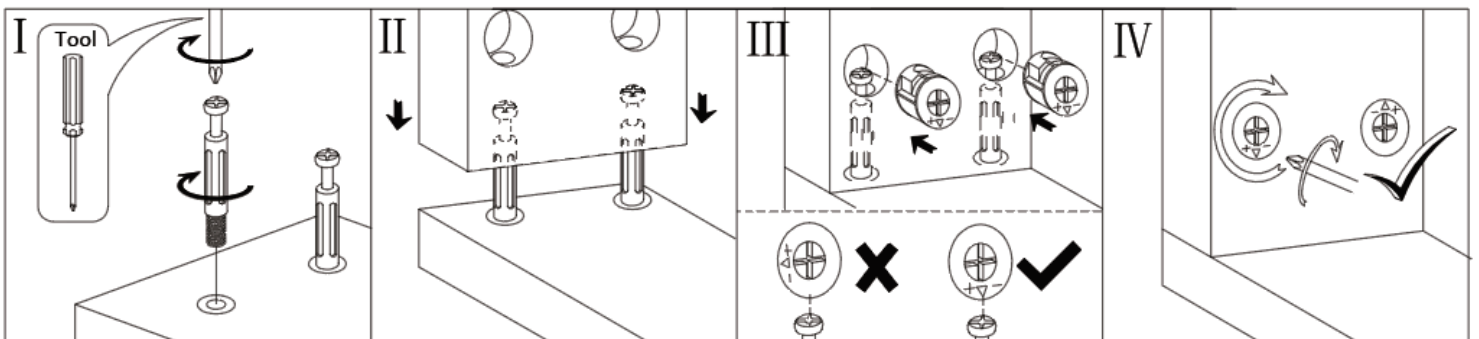
60x40x116mm

Middle Support Leg x1



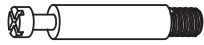
Please scan this QR code to access the video instructions on how to install components such as the cam lock and the cam bolt.

"A & B" Hardware installation example



COMPONENTS

A



+2(spare)

Φ6X35mm

Cam Bolt x26

B



+2(spare)

Φ15X10mm

Cam Lock x26

C



+4(spare)

Φ6X30mm

Wood Dowel x48

D



+2(spare)

Φ5X40mm

Screw x20

E

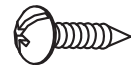


+2(spare)

Φ4X12mm

Screw x24

F



Φ4X12mm

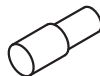
Screw x8

G



Hinge x4

H



5mm

Shelf Support x8

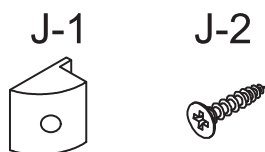
I



Φ4X45mm

Plastic Anchor & Washer & Screw x2

J



Φ3X16mm

Back Panel Wedge & Screw x8

K



Φ4X12mm

Anti-tipping Strap & Washer & Screw x2

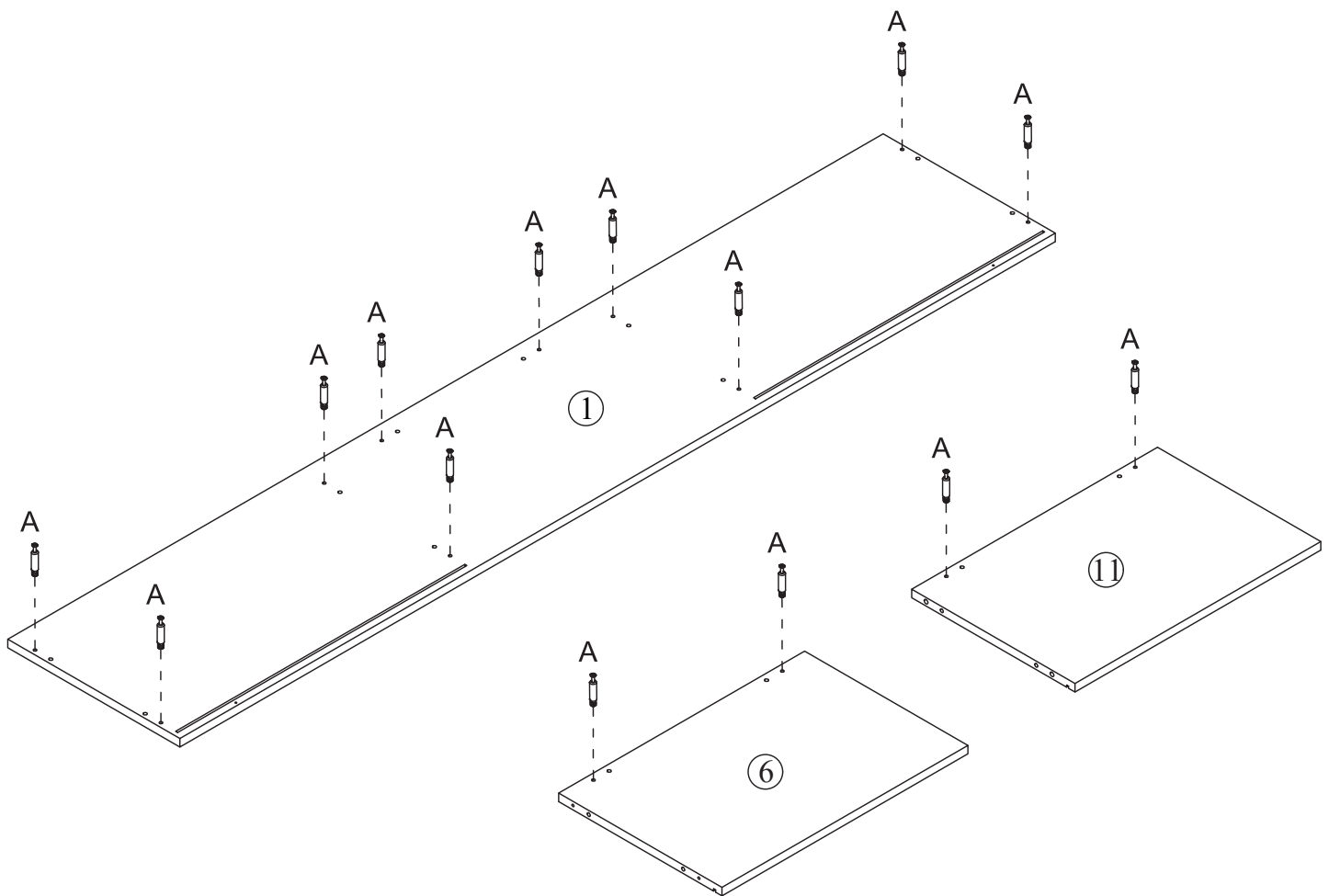
ASSEMBLY STEPS

A x 14



STEP 1

Fix the cam bolt (A) into panels (1), (6), (11).

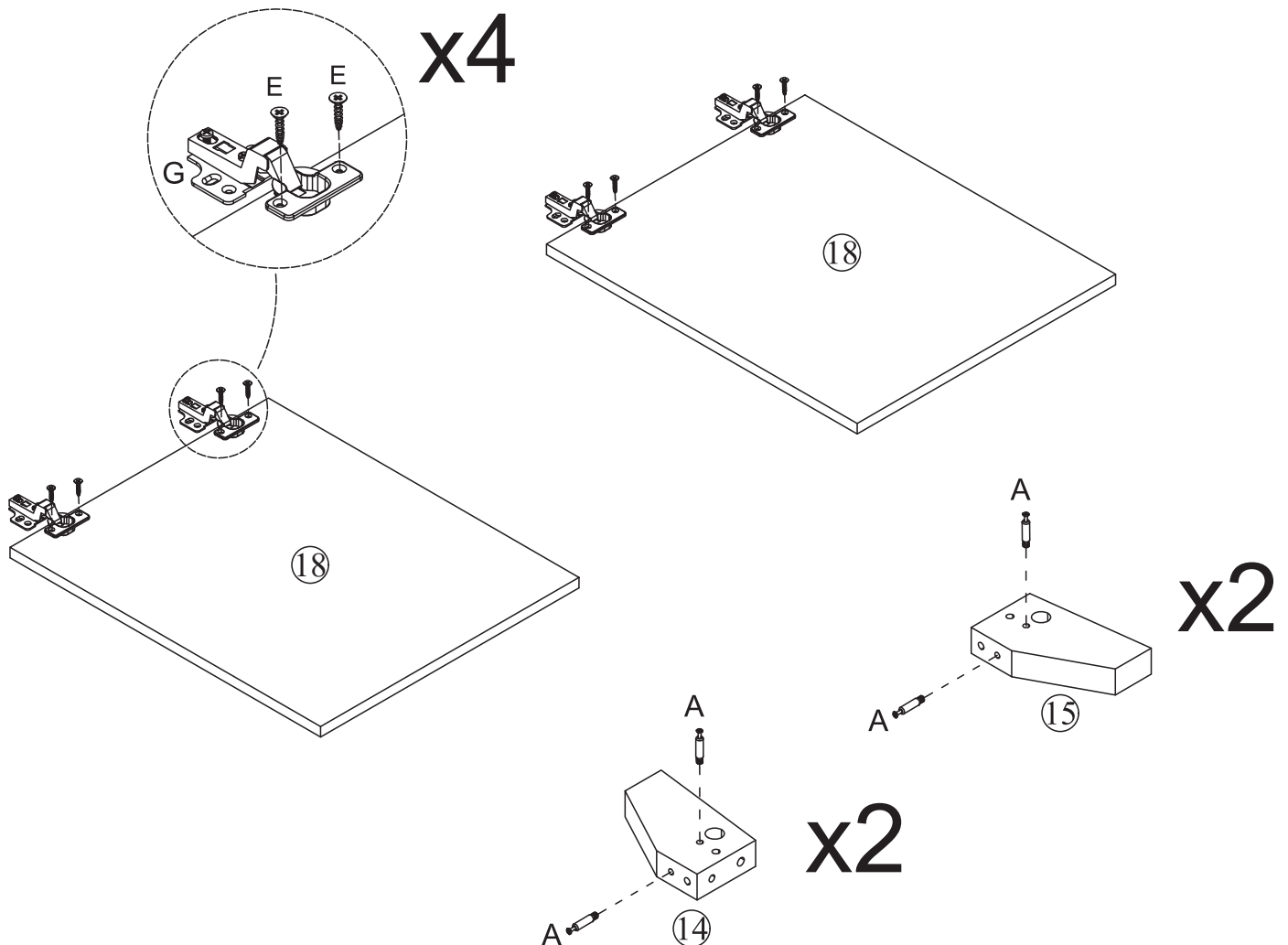


ASSEMBLY STEPS

A x 8	 $\Phi 6 \times 35 \text{mm}$	E x 8	 $\Phi 4 \times 12 \text{mm}$	G x 4	
-------	--	-------	--	-------	--

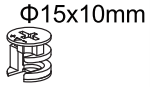
STEP 2

1. Fix the cam bolt (A) into support legs (14), (15).
2. Fix the hinge (G) to panels (18) with screw (E).

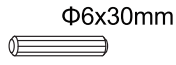


ASSEMBLY STEPS

B x 4

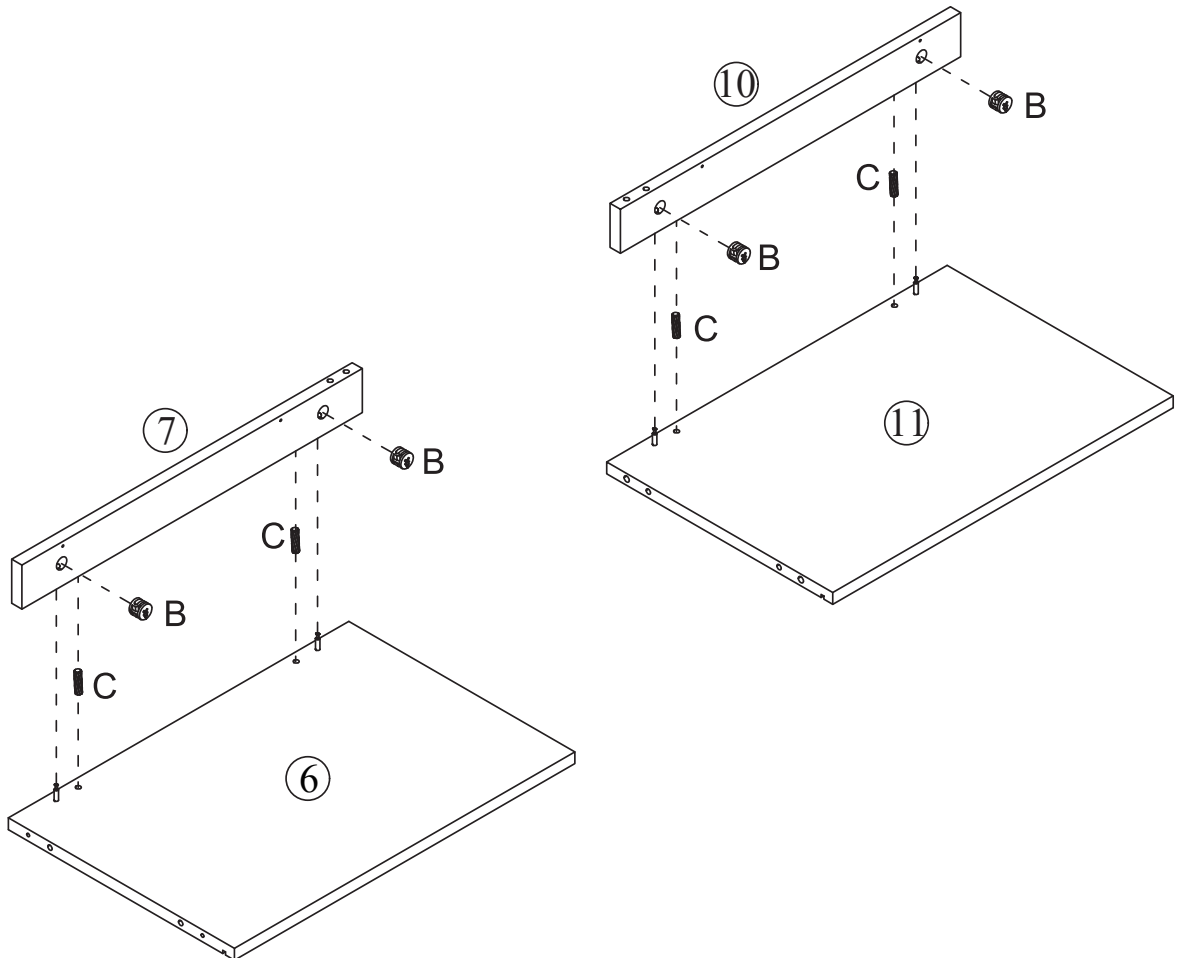


C x 4



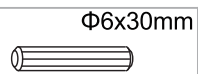
STEP 3

1. Connect panel (6) and wood strip (7) with the wood dowel (C), then tighten with cam lock (B).
2. Connect panel (11) and wood strip (10) with the wood dowel (C), then tighten with cam lock (B).



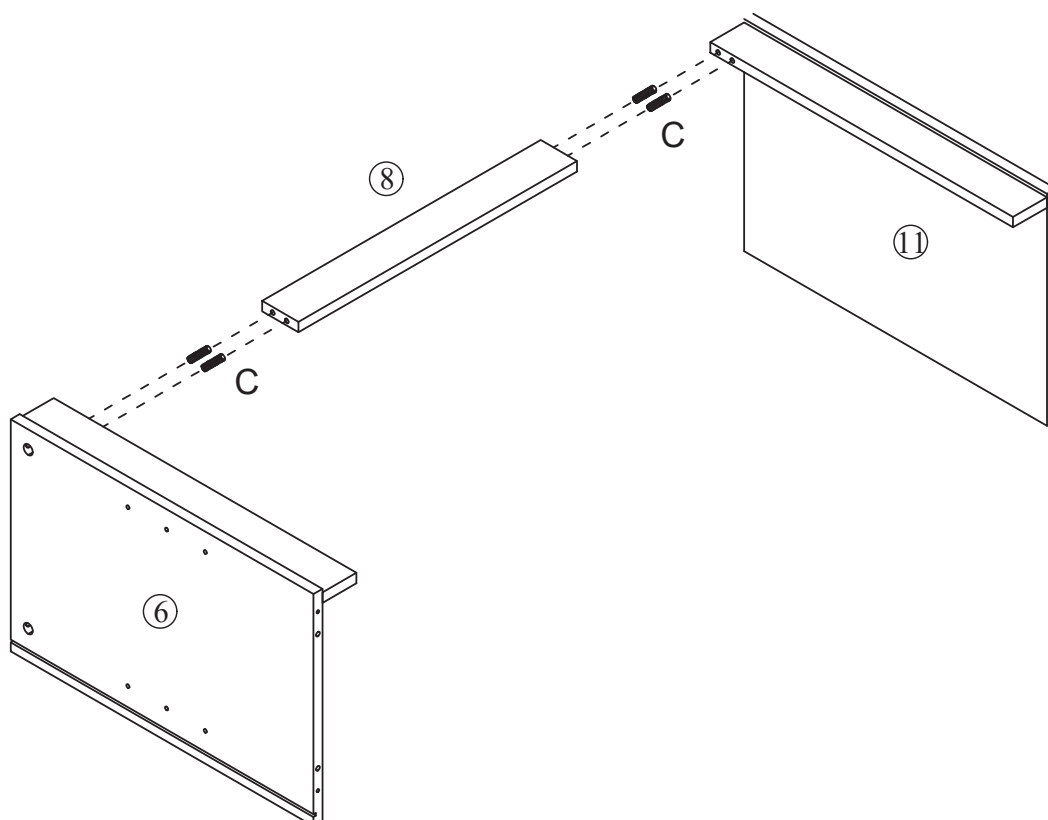
ASSEMBLY STEPS

C x 4



STEP 4

Connect wood strip (8) and the assembled panels (6), (11) with the wood dowel (C)

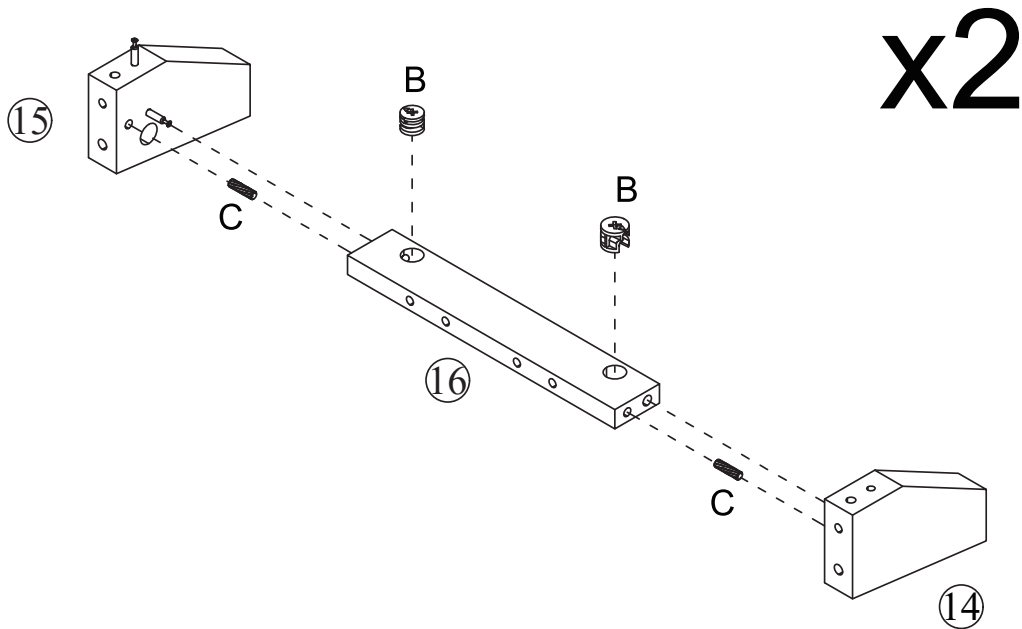


ASSEMBLY STEPS



B x 4	 $\Phi 15 \times 10 \text{mm}$	C x 4	 $\Phi 6 \times 30 \text{mm}$
-------	---	-------	--

STEP 5

Connect panel (16) and support legs (14), (15) with the wood dowel (C), then tighten with cam lock (B).

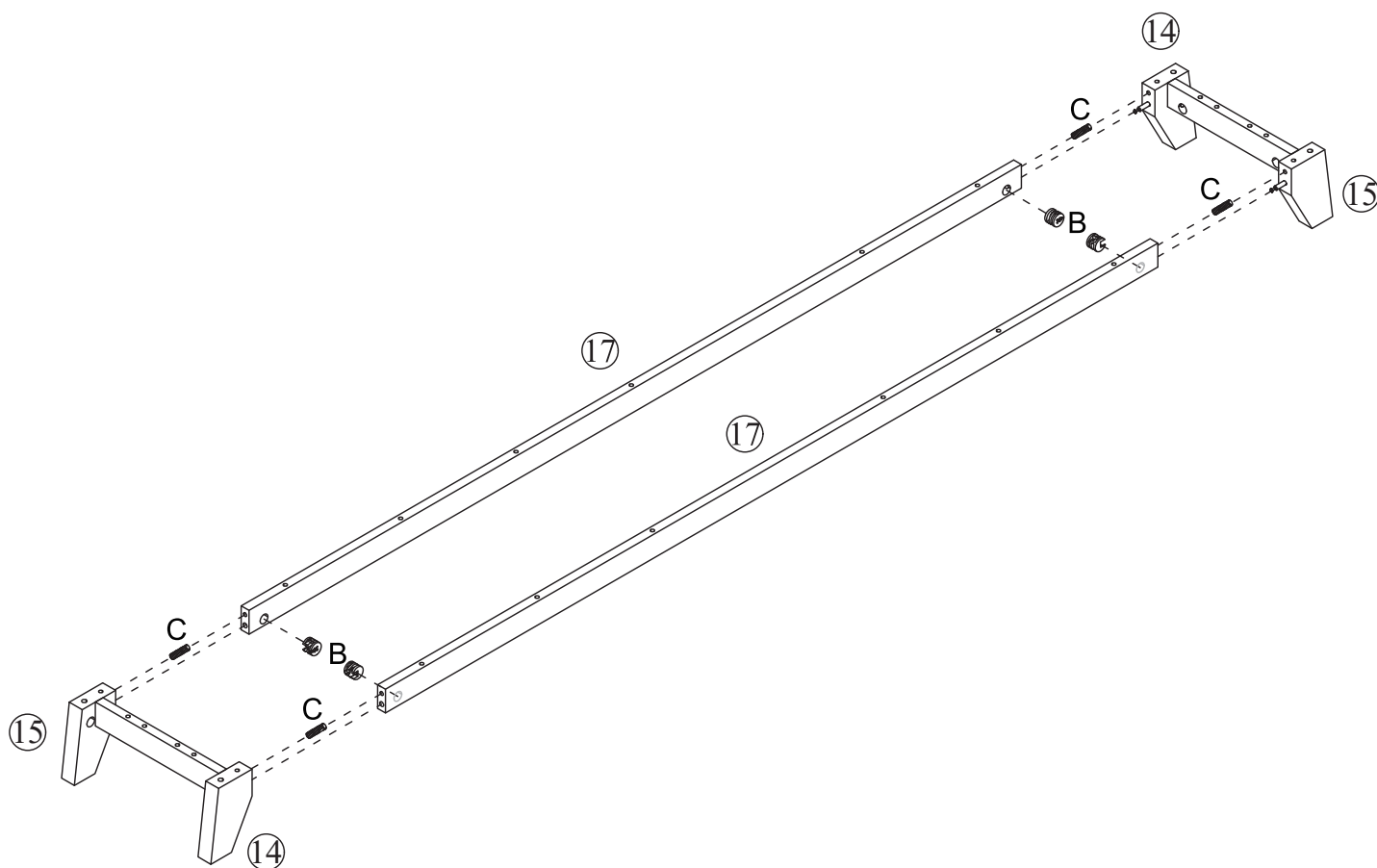


ASSEMBLY STEPS


B x 4	 $\Phi 15 \times 10 \text{mm}$	C x 4	 $\Phi 6 \times 30 \text{mm}$
-------	---	-------	--

STEP 6

Connect panel (17) and the assembled support legs (STEP 5) with the wood dowel (C), then tighten with cam lock (B).

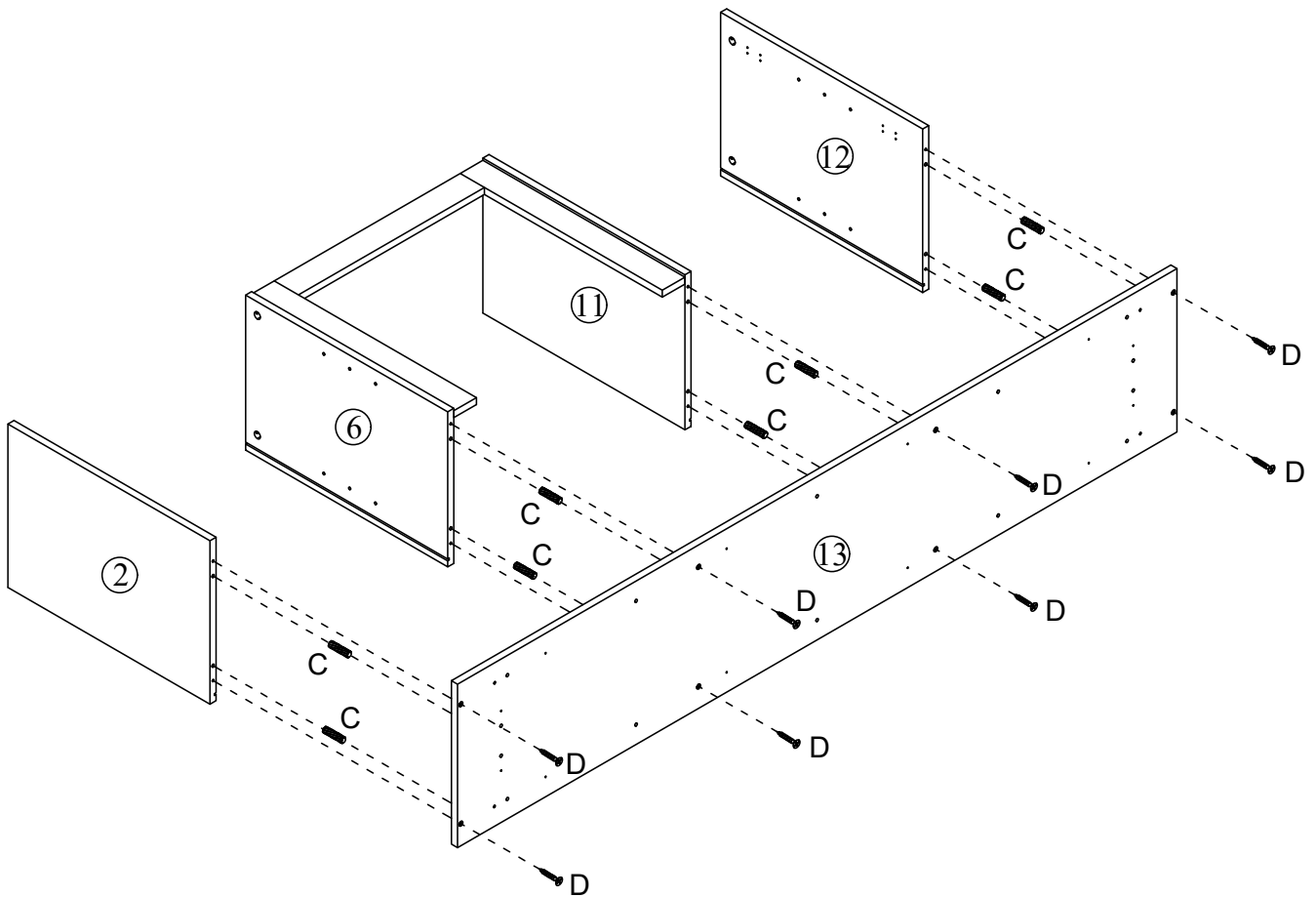


ASSEMBLY STEPS

C x 8	$\Phi 6 \times 30 \text{mm}$ 	D x 8	$\Phi 5 \times 40 \text{mm}$ 
-------	---	-------	---

STEP 7

Connect panels (2), (12), (13) and the assembled panels (6), (11) with the wood dowel (C), then tighten with screw (D))

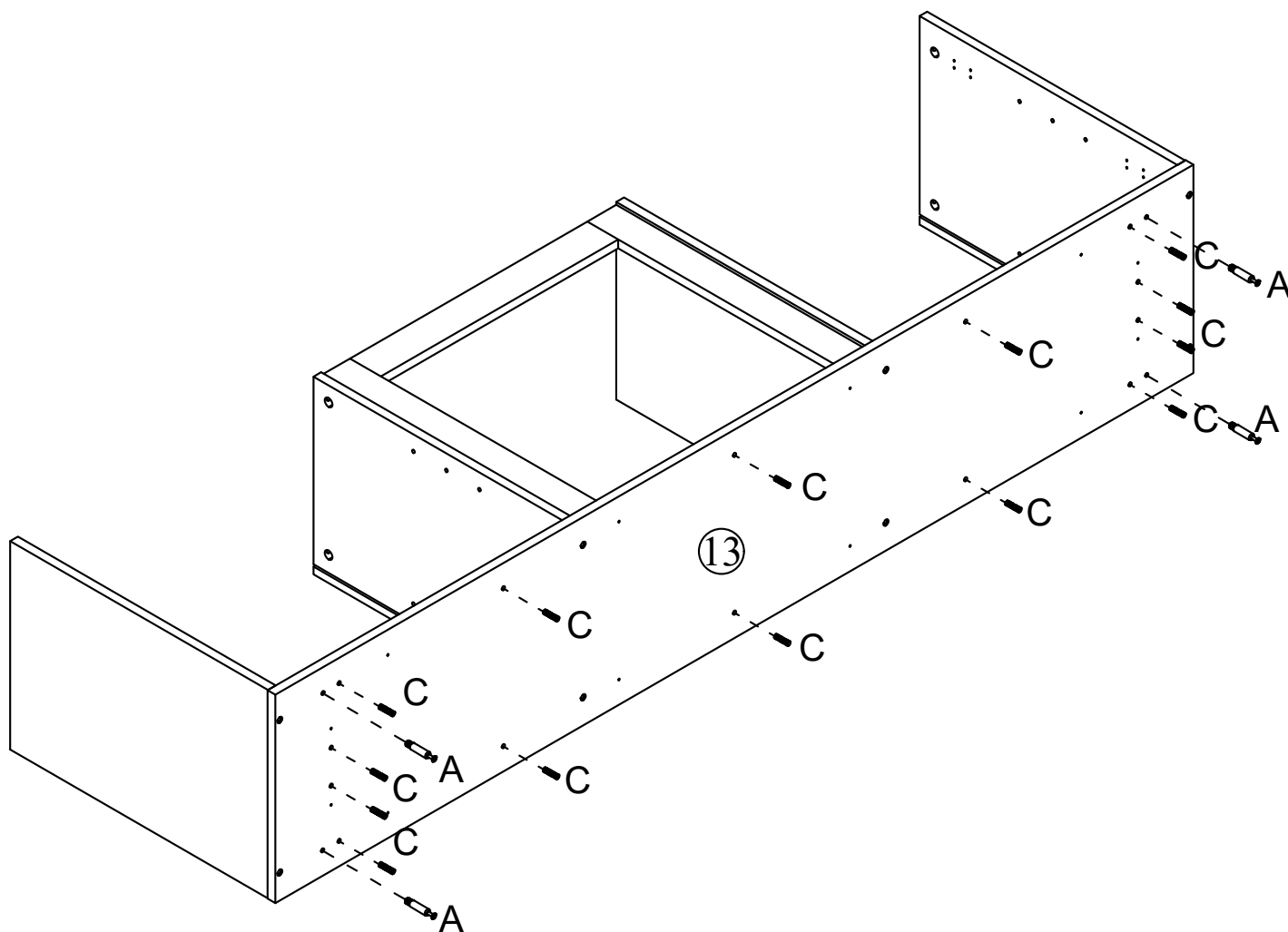


ASSEMBLY STEPS



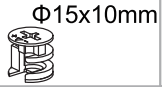
STEP 8

Fix the cam bolt (A) and wood dowel (C) into panel (13).



ASSEMBLY STEPS

B x 4

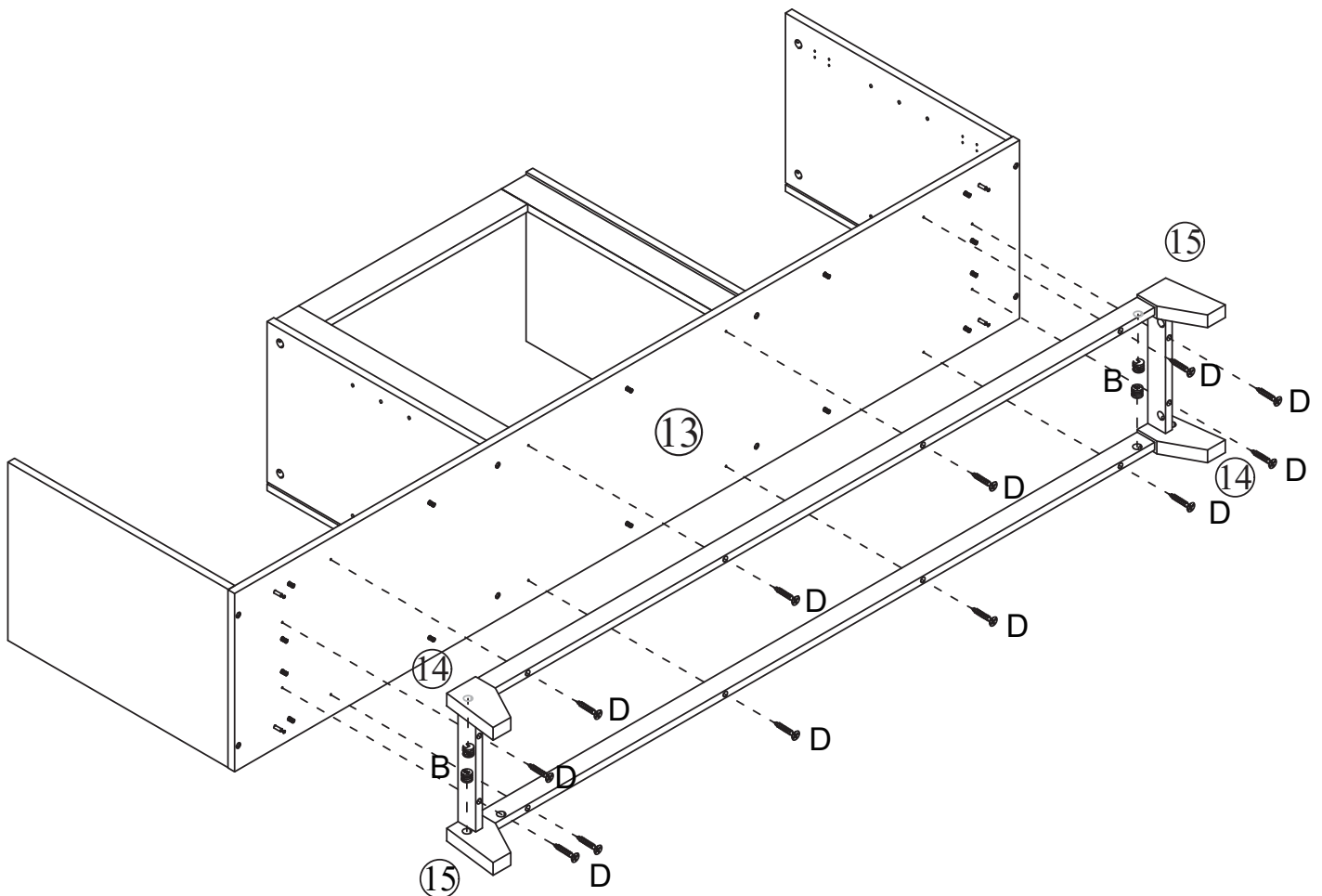


D x 12



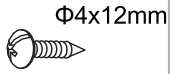
STEP 9

Connect panel (13) and the assembled frame (STEP 6), then tighten them with screw (D) and cam lock (B).



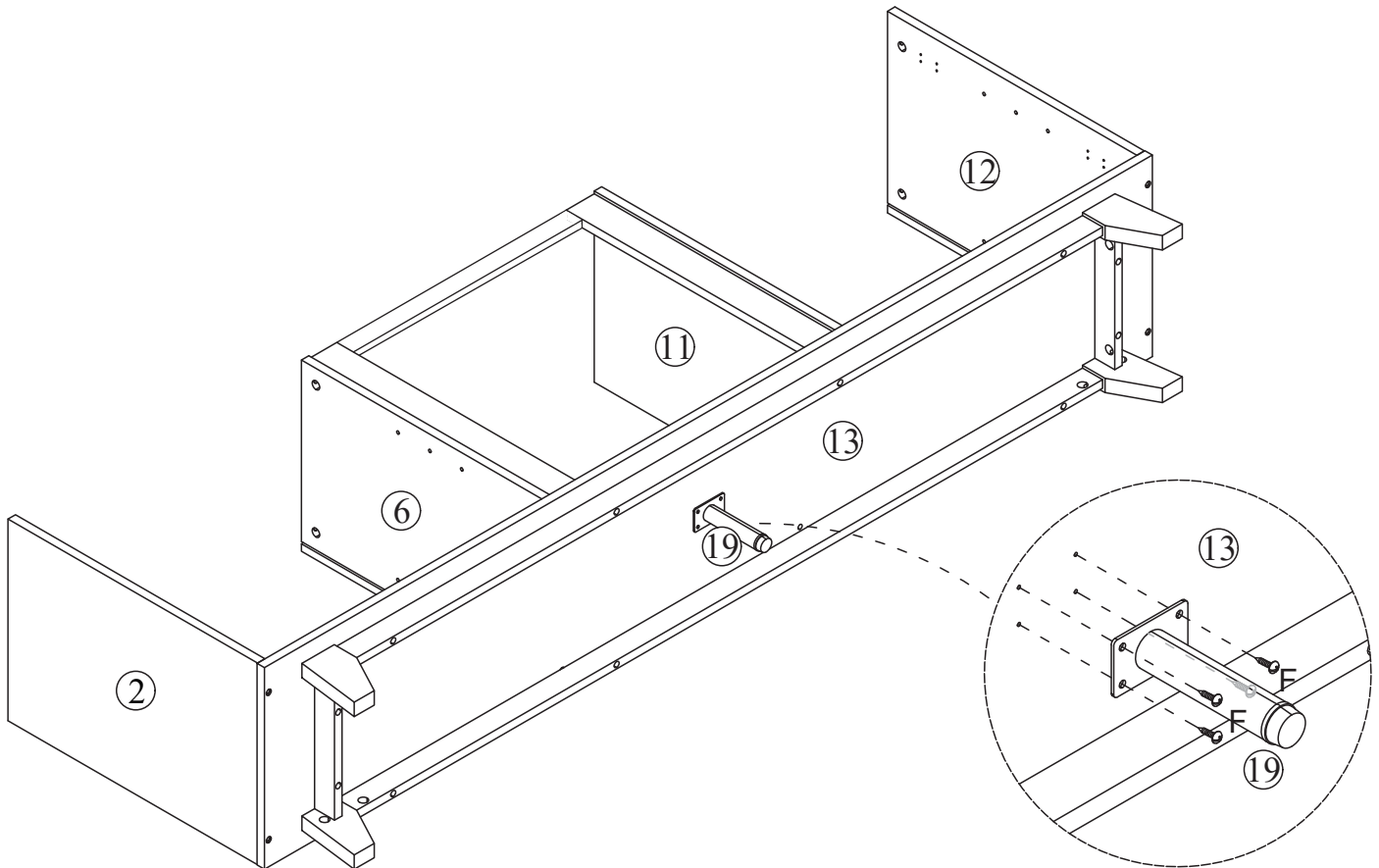
ASSEMBLY STEPS

F x 4



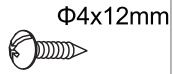
STEP 10

Fix middle support leg (19) into panel (13) with screw (F).



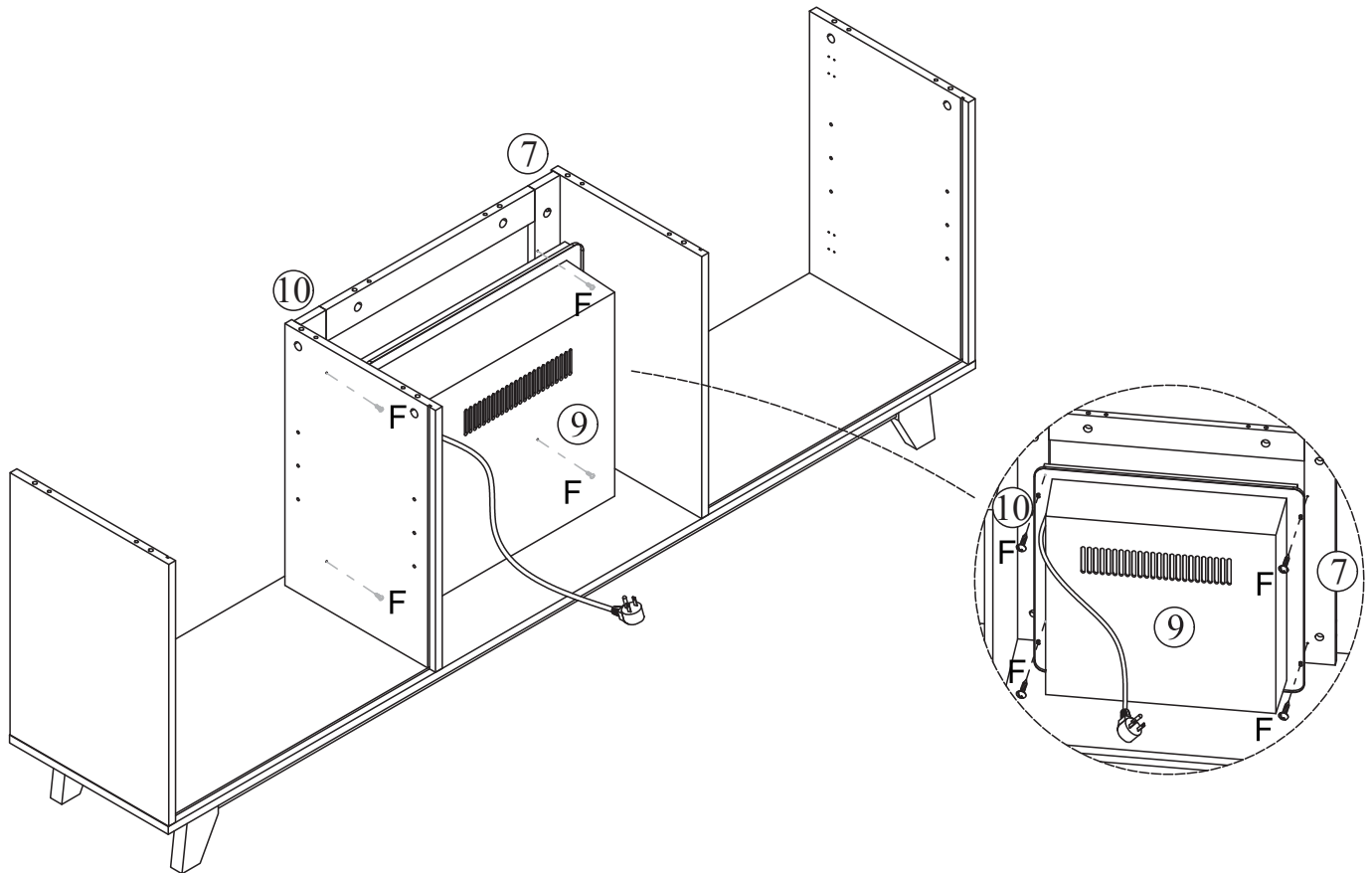
ASSEMBLY STEPS

F x 4



STEP 11

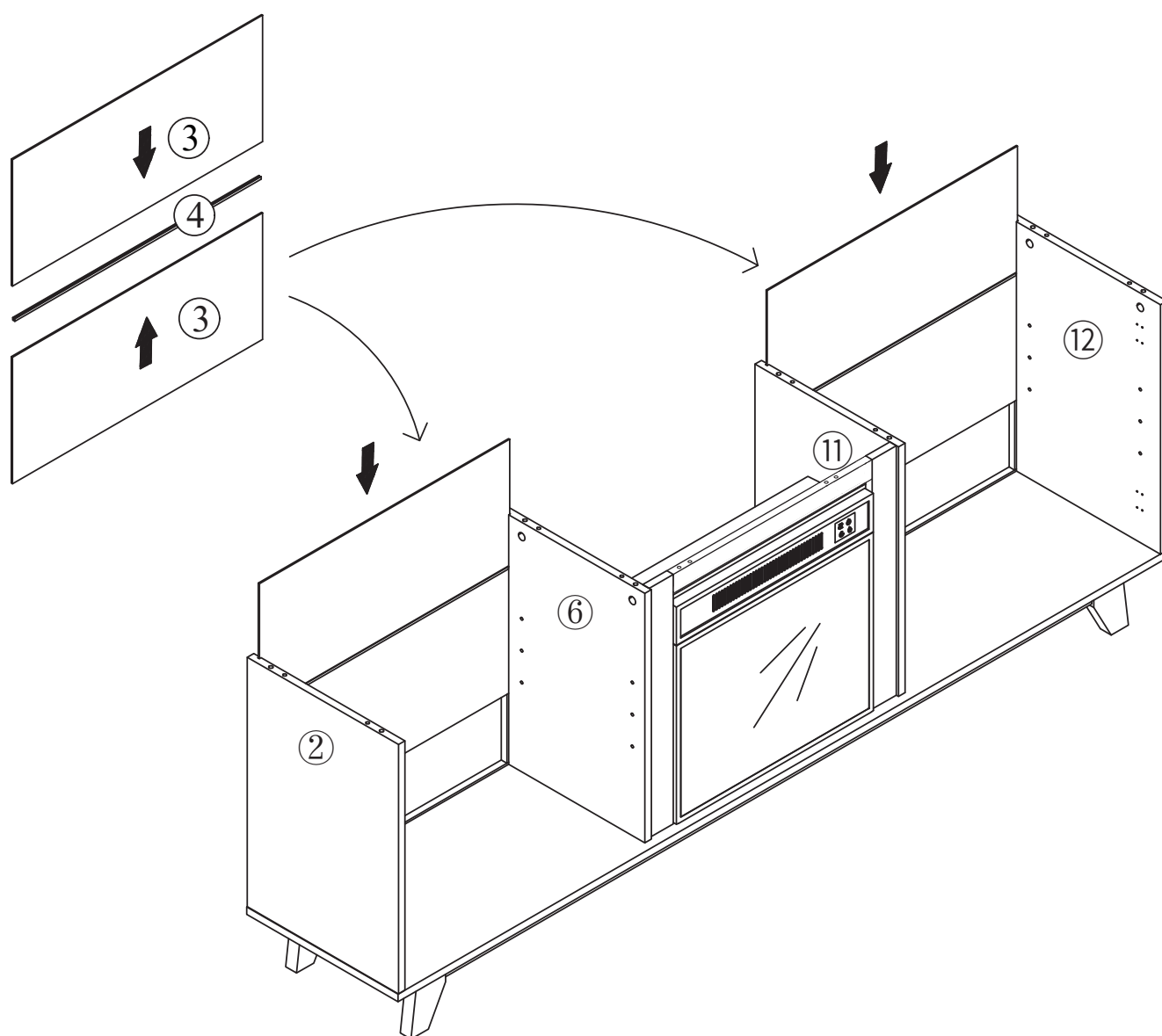
Fix fireplace (9) into wood strips (7), (10) with screw (F).




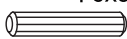
ASSEMBLY STEPS

STEP 12

Connect panels (3) and the plastic strip (4), then insert them along the grooves of panels (2), (6), (11), (12).

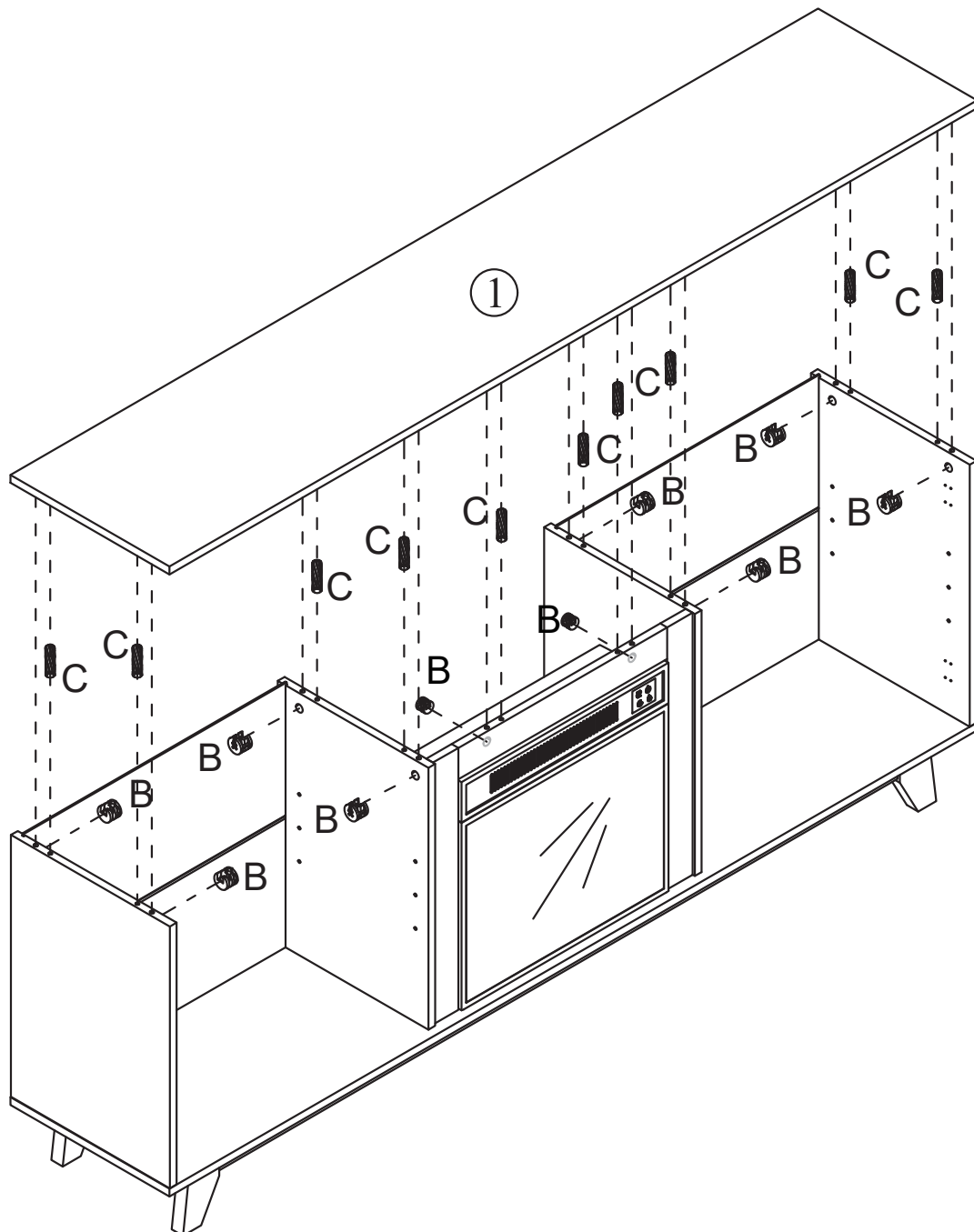


ASSEMBLY STEPS

B x10	$\Phi 15 \times 10 \text{mm}$ 	C x10	$\Phi 6 \times 30 \text{mm}$ 
-------	--	-------	---

STEP 13

Connect panel (1) and the assembled cabinet (STEP 12) with the wood dowel (C), then tighten them with cam lock (B).



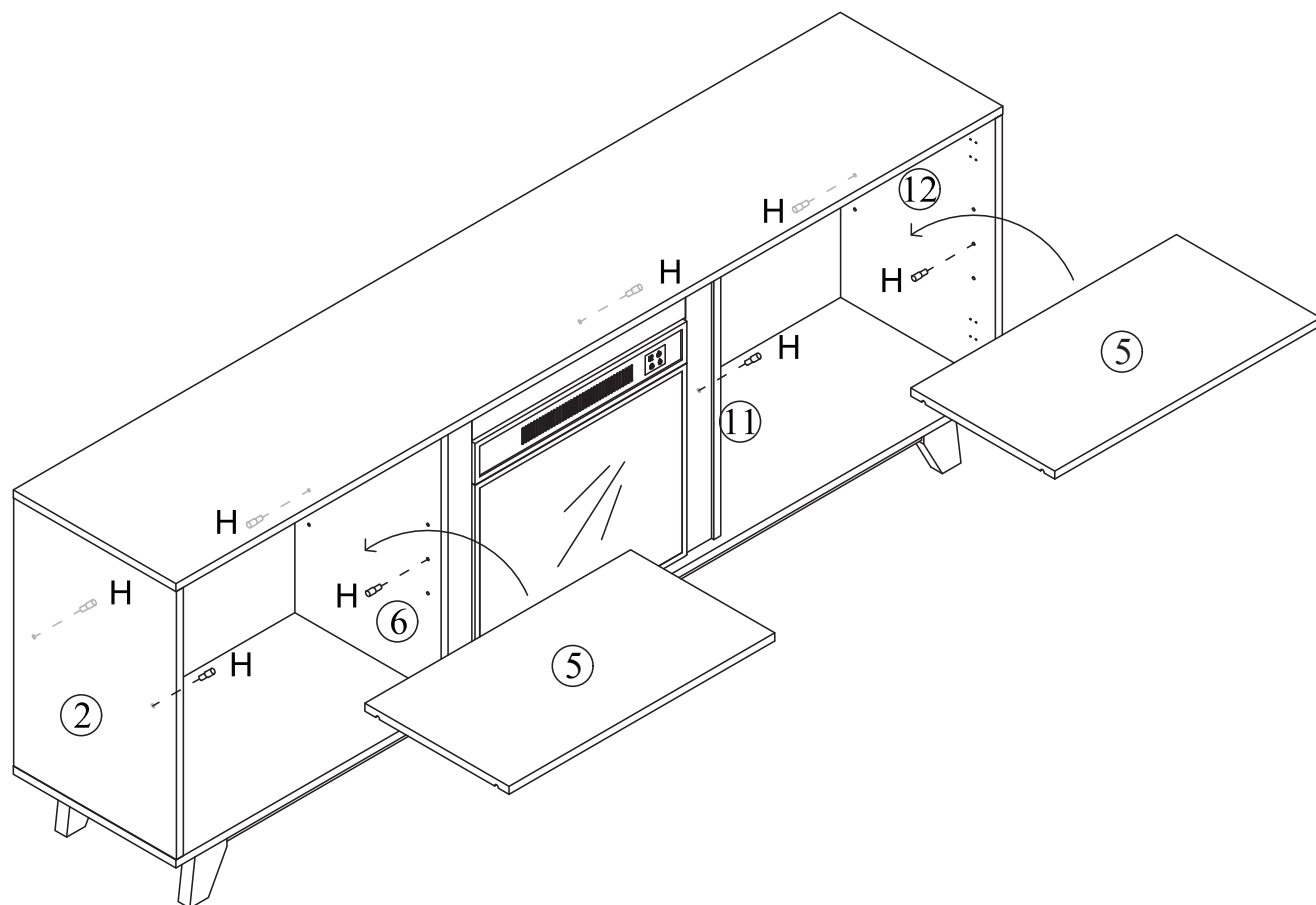
ASSEMBLY STEPS

H x 8



STEP 14

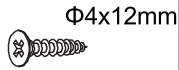
1. Fix the shelf support (H) into the panels (2), (6), (11), (12).
2. Put the adjustable shelf (5) into the cabinet (STEP 13).



Adjust the installation position of the shelf support (I) according to your requirements.

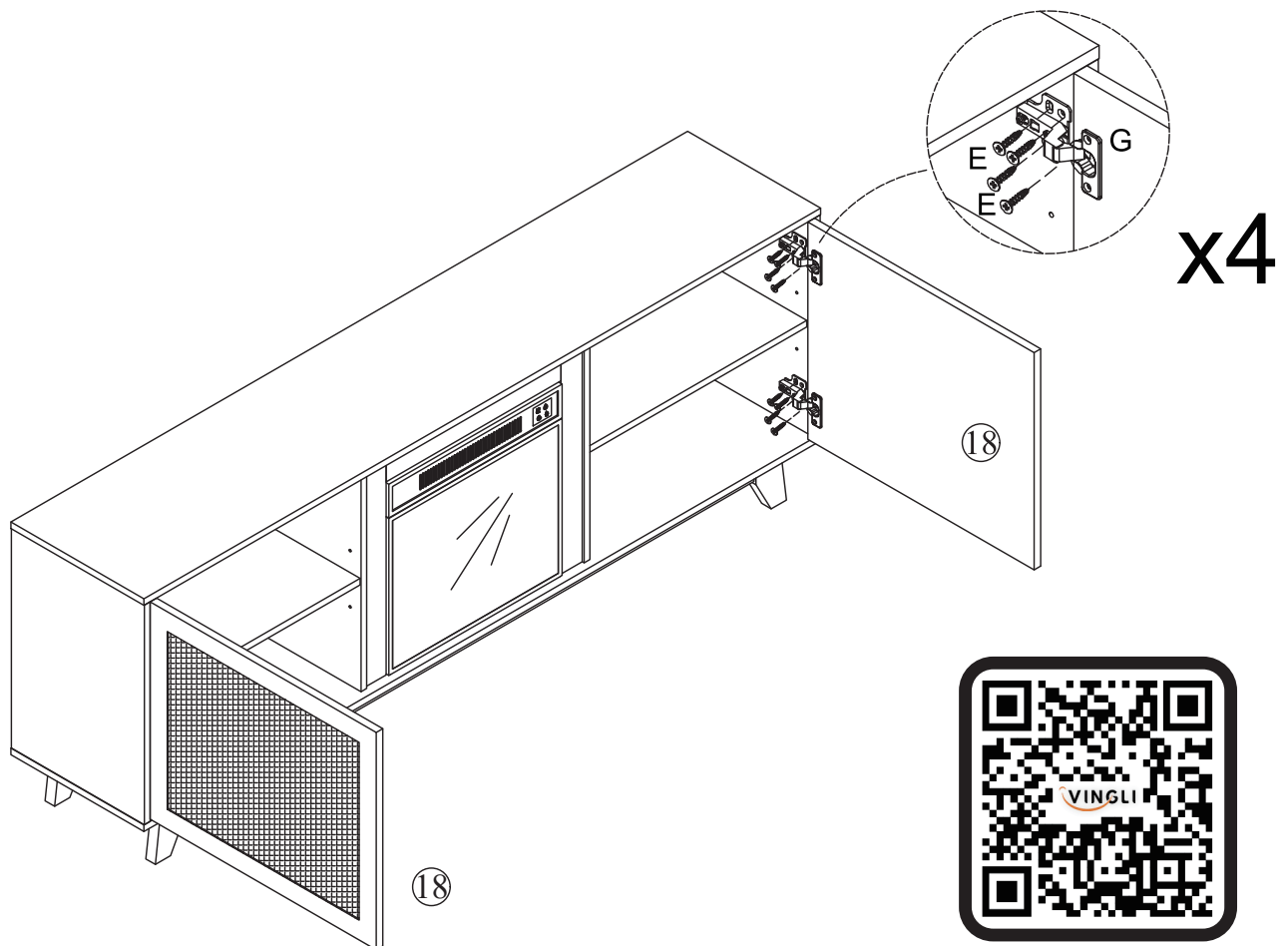
ASSEMBLY STEPS

E x 16



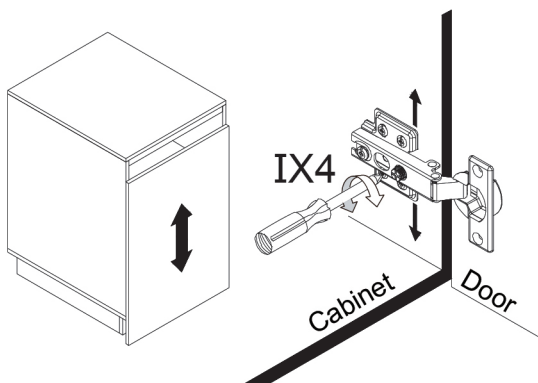
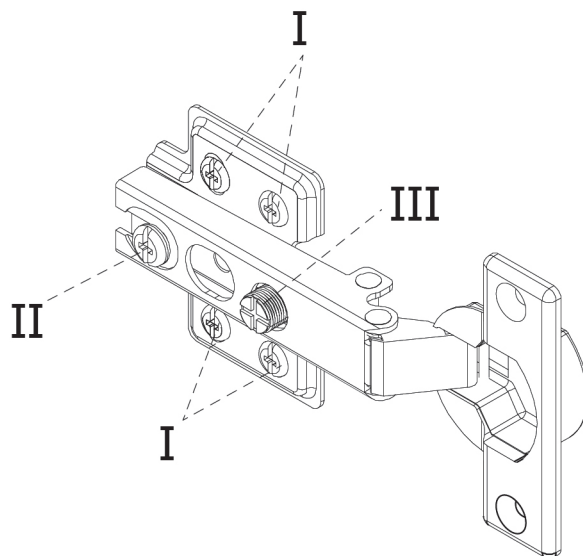
STEP 15

Align the door hinge (G) to the holes on the side panels (2), (12), then tighten the door panels (18) to the cabinet with screw (E).



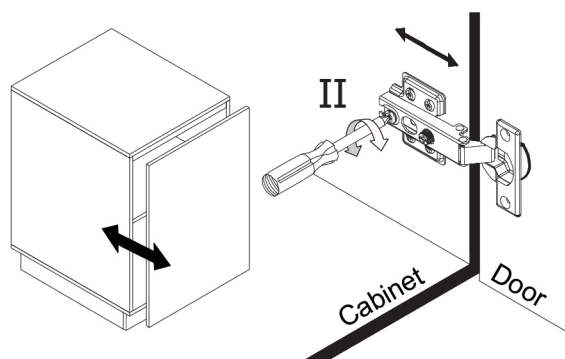
Please scan this QR code to access the video instructions on how to install the hinge.

ASSEMBLY STEPS



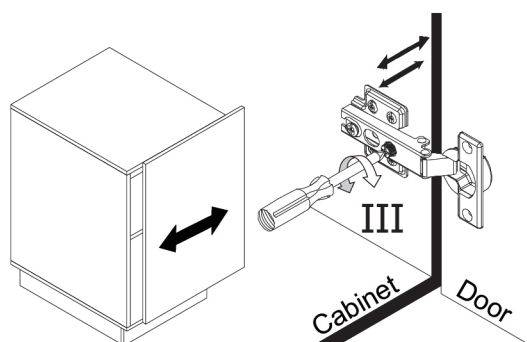
To adjust the vertical height.

Loosen the four screws "I" on both hinges. Two of them are usually in slotted holes which allows you to adjust up or down by a few mm. Then tighten back up.



To adjust depth.

Loosen screw "II" and adjust door, if the door cannot be adjusted, please loosen screw "III", then try again. Tighten screw "II" and "III"



To adjust side ways.

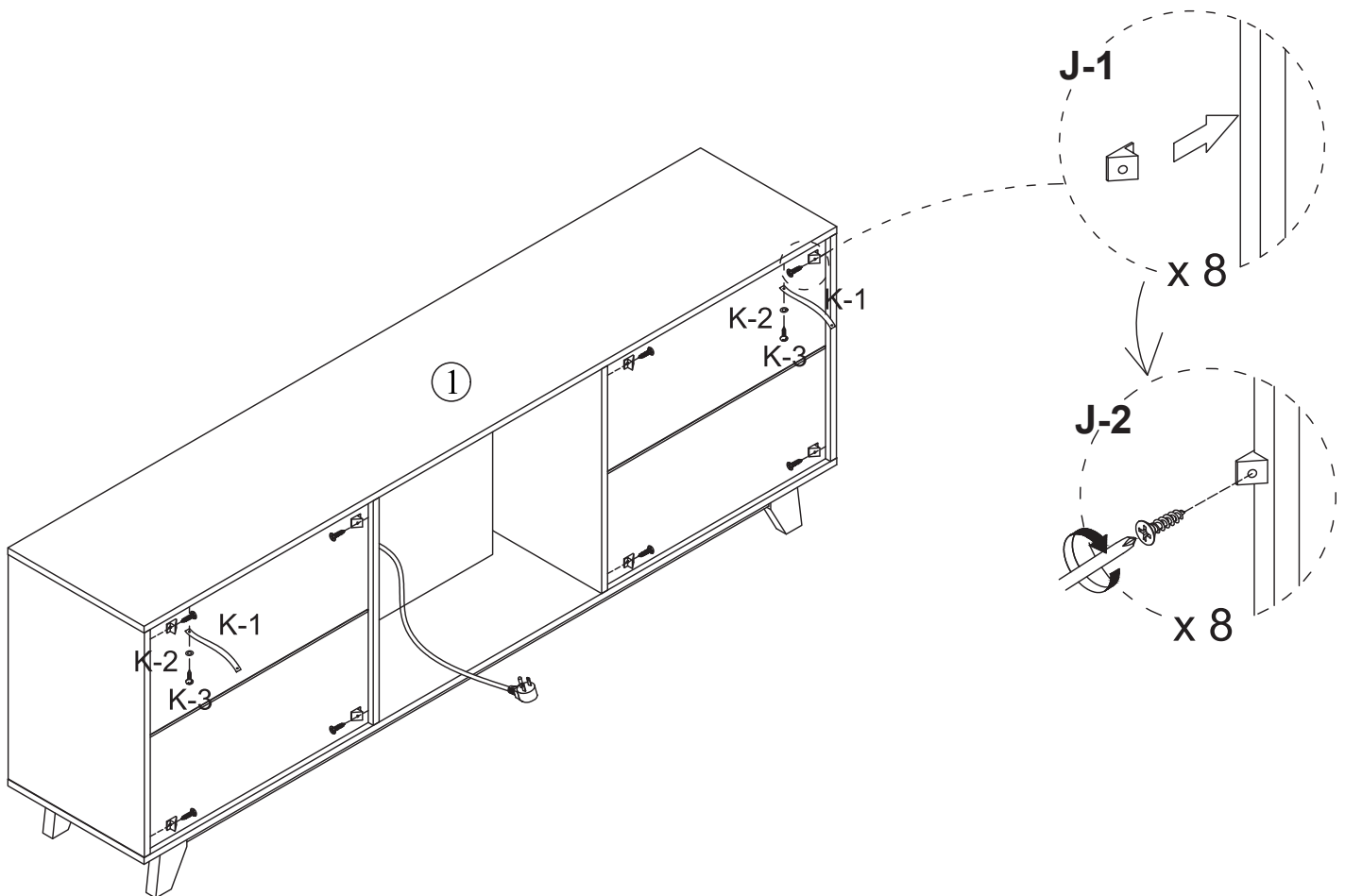
Turning the screw "III" on both hinges on each door.

ASSEMBLY STEPS

J x 8	J-1	$\Phi 3 \times 16 \text{mm}$	J-2	K x 2	K-1	$\Phi 4 \times 12 \text{mm}$	K-2	K-3
-------	-----	------------------------------	-----	-------	-----	------------------------------	-----	-----

STEP 16

1. Insert the back panel wedge (J-1) into the gap of cabinet back panel and tighten them with screw (J-2).
2. Use screw (K-3) to pass through washer (K-2) and fix the anti - tipping strap (K-1) under panel (1).



ASSEMBLY STEPS

1 x 2

I-1



I-2



I-3



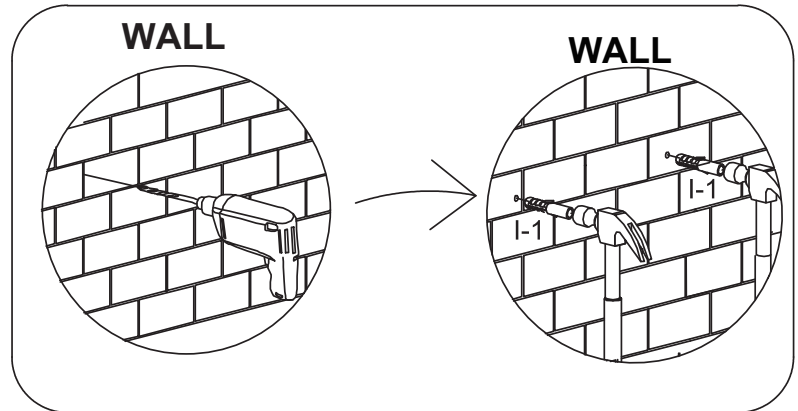
Φ4x45mm

STEP 17

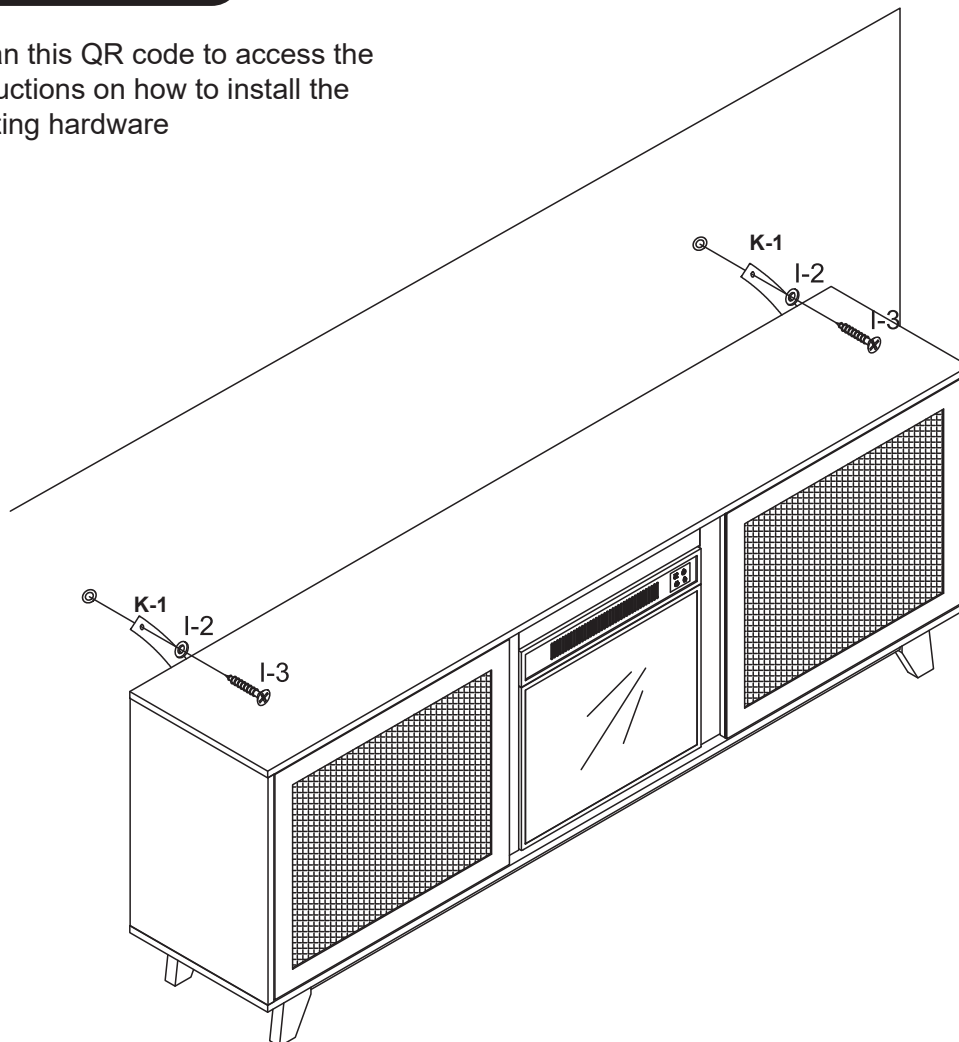
Drill two holes in the wall, embed the plastic anchor (I-1) and then use screw (I-3) to pass through the washer (I-2) and anti-tipping strap (K-1) to fix the cabinet on the wall.



SCAN ME



Please scan this QR code to access the video instructions on how to install the wall-mounting hardware



1. What should I do when I received a defected item?

Please feel free to contact VINGLI customer service via the link where you purchased this item with your order ID, pictures of the defective areas to us. We are eager to help you to make it right.

2. Is it easy to put the screws to the panels?

Yes. As long as you follow the instruction and use the correct screws and put it in correct holes, it is easy to screw it into pre-drilled holes.

Supplementary Instructions for Safe Use

English

WARNING



Children have died from furniture tipover. To reduce the risk of furniture tipover:

- ALWAYS install tipover restraint provided.
- NEVER put a TV on this product.
- NEVER allow children to stand, climb or hang on drawers, doors, or shelves.
- NEVER open more than one drawer at a time.
- Place heaviest items in the lowest drawers.
- Do not defeat or remove the drawer interlock system.

This is a permanent label.

Do not remove!

French

ATTENTION



Des enfants sont morts du basculement des meubles. Pour réduire le risque de basculement des meubles:

- TOUJOURS installer la retenue de basculement fournie.
- NE JAMAIS mettre de téléviseur sur ce produit.
- NE JAMAIS permettre aux enfants de se tenir debout, de grimper, ou de s'accrocher à des tiroirs, des portes ou des étagères.
- N'ouvrez JAMAIS plus d'un tiroir à la fois.
- Placez les objets les plus lourds dans les tiroirs les plus bas.
- Ne désactivez pas et ne retirez pas le système de verrouillage du tiroir.

Ceci est une étiquette permanente.

Ne pas enlever!

German

WARNUNG



Kinder sind an einem Möbelkipp gestorben. So verringern Sie das Risiko eines Umkippens von Möbeln:

- Installieren Sie **IMMER** die mitgelieferte Kipprückhaltevorrichtung.
- Stellen Sie **NIEMALS** einen Fernseher an dieses Produkt.
- Lassen Sie Kinder **NIEMALS** an Schubladen, Türen oder Regalen stehen klettern oder hängen.
- Öffnen Sie **NIEMALS** mehr als eine Schublade gleichzeitig.
- Legen Sie schwerste Gegenstände in die untersten Schubladen.
- Besiegen oder entfernen Sie das Schubladenverriegelungssystem nicht.

Dies ist ein dauerhaftes Etikett.

Nicht entfernen!



WARNING

This product can expose you to chemicals including Formaldehyde (gas), which is known to the State of California to cause cancer. For more information go to www.P65Warnings.ca.gov.