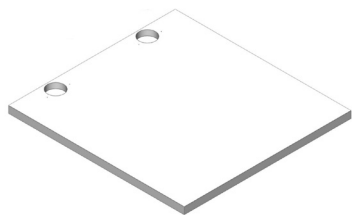


# Cabinets installation instruction



# Parts list:



PVC board 10pcs



Hinge 4 sets



Corner Block 2 pcs



Screw A 28pcs



Screw B 28pcs



Screw C 28pcs



Screw D 2sets

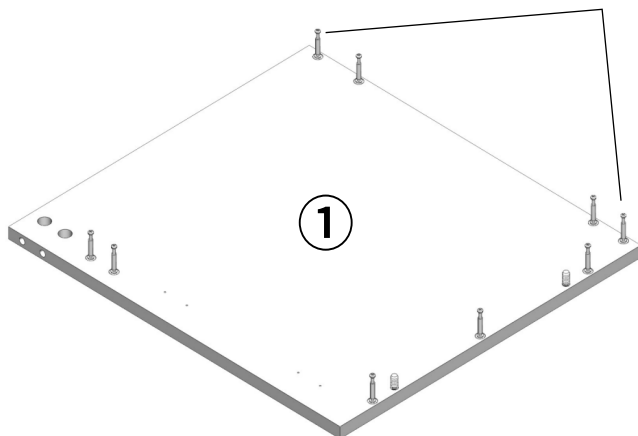


Basin 1pcs

# Step 1:

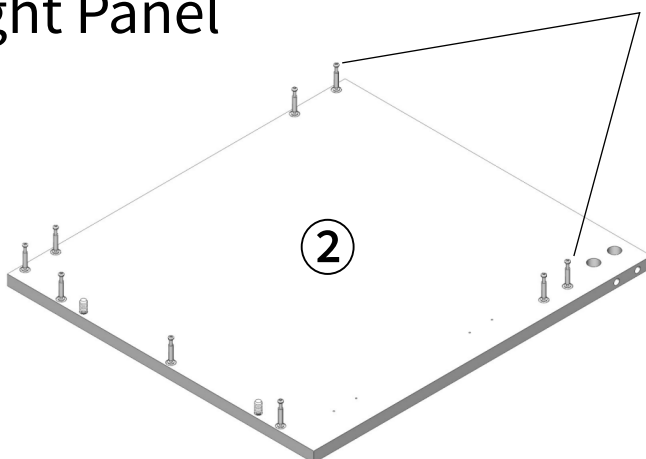
Part ①: Left Panel

Screw A 9 pcs



Part ②: Right Panel

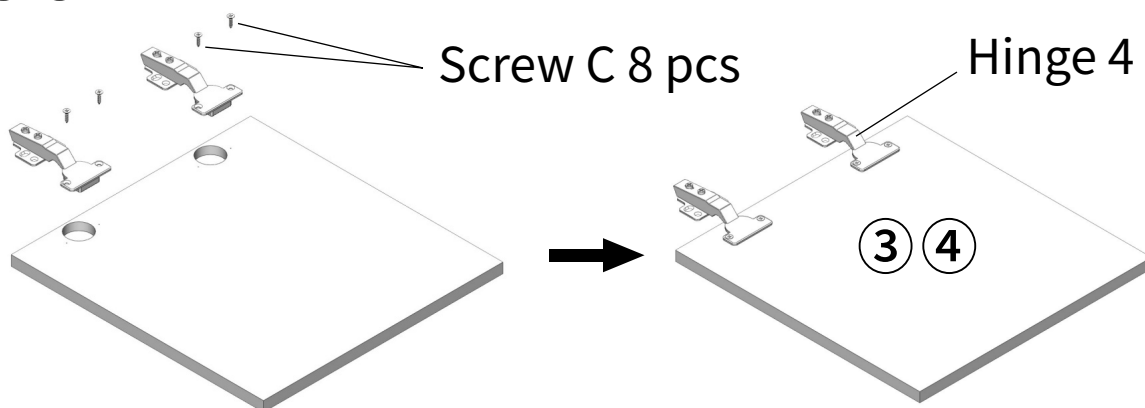
Screw A 9 pcs



Part ③④: Door 2 sets

Screw C 8 pcs

Hinge 4 pcs



Screw A 18pcs



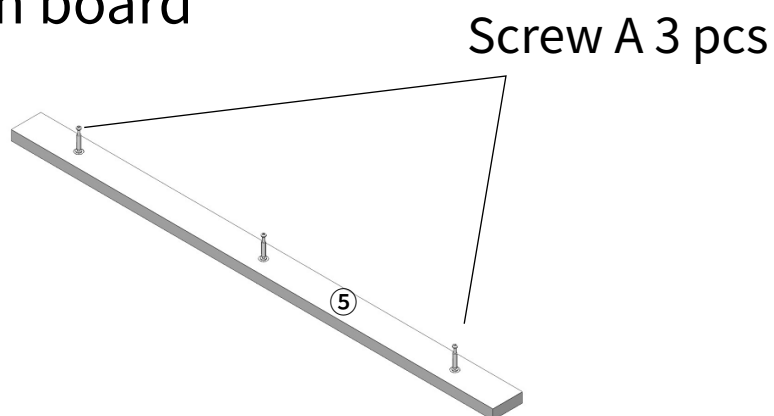
Screw C 8pcs



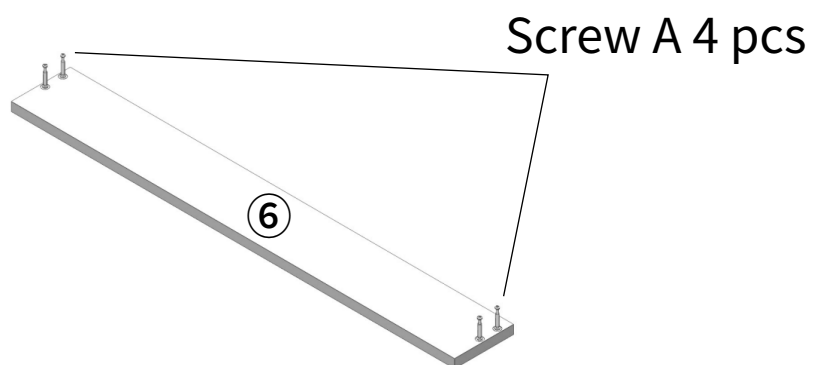
Hinge 4 sets

## Step 2:

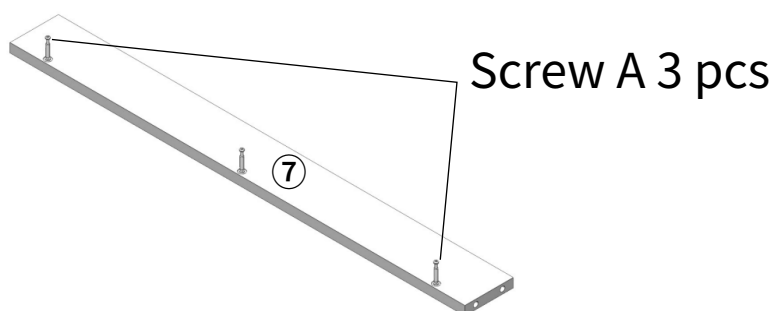
Part ⑤: Bottom board



Part ⑥: Front board



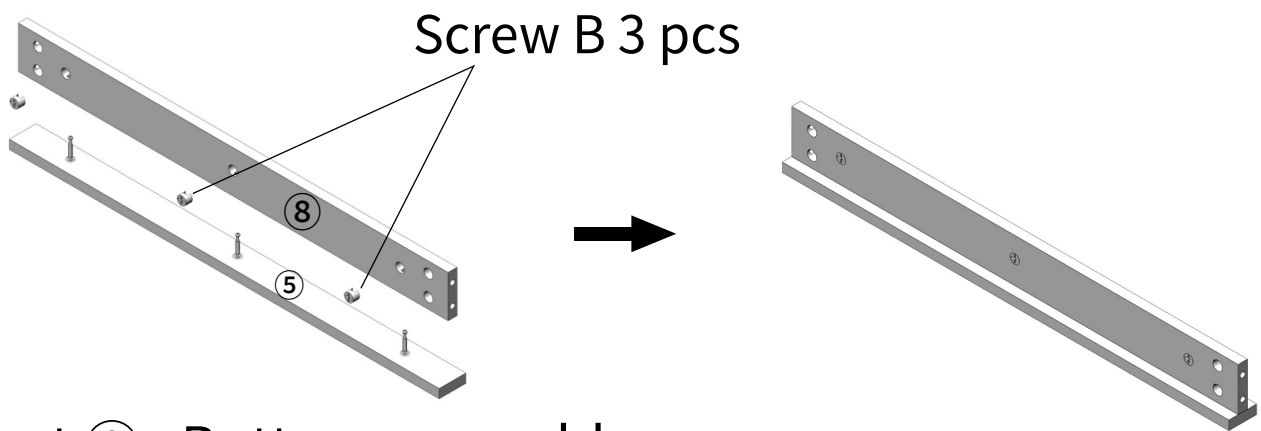
Part ⑦: Back board



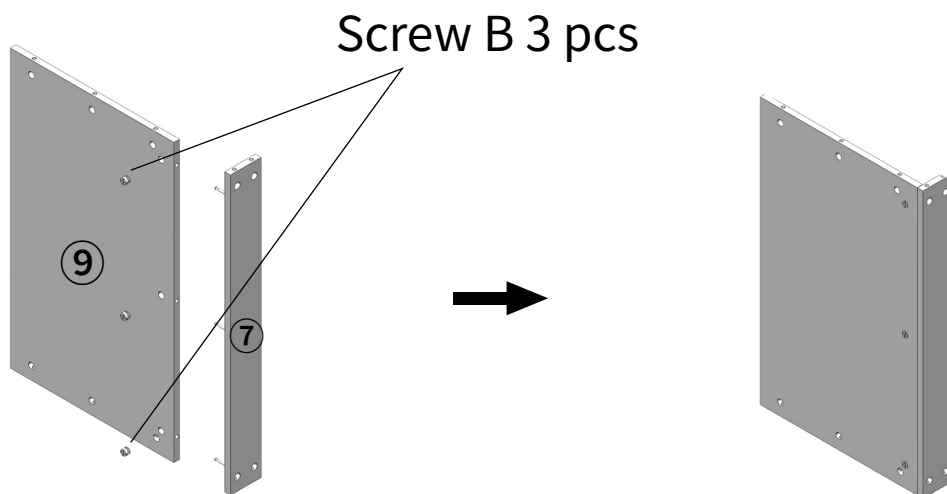
Screw A 10pcs

# Step 3:

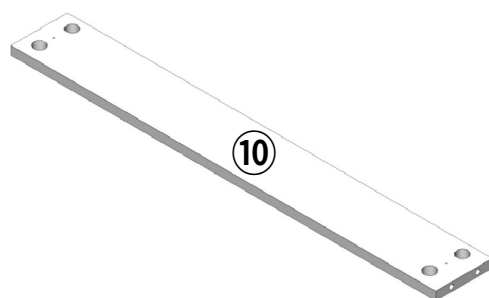
Part ⑧: Handle bar assembly



Part ⑨: Bottom assembly

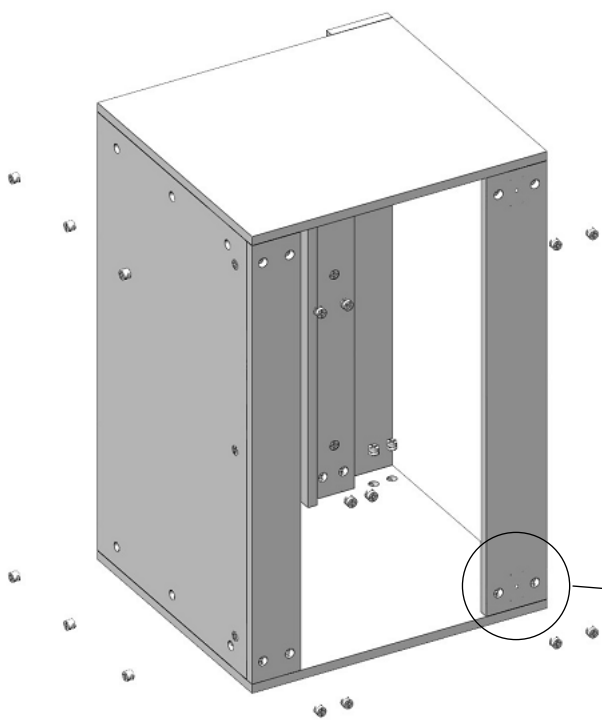
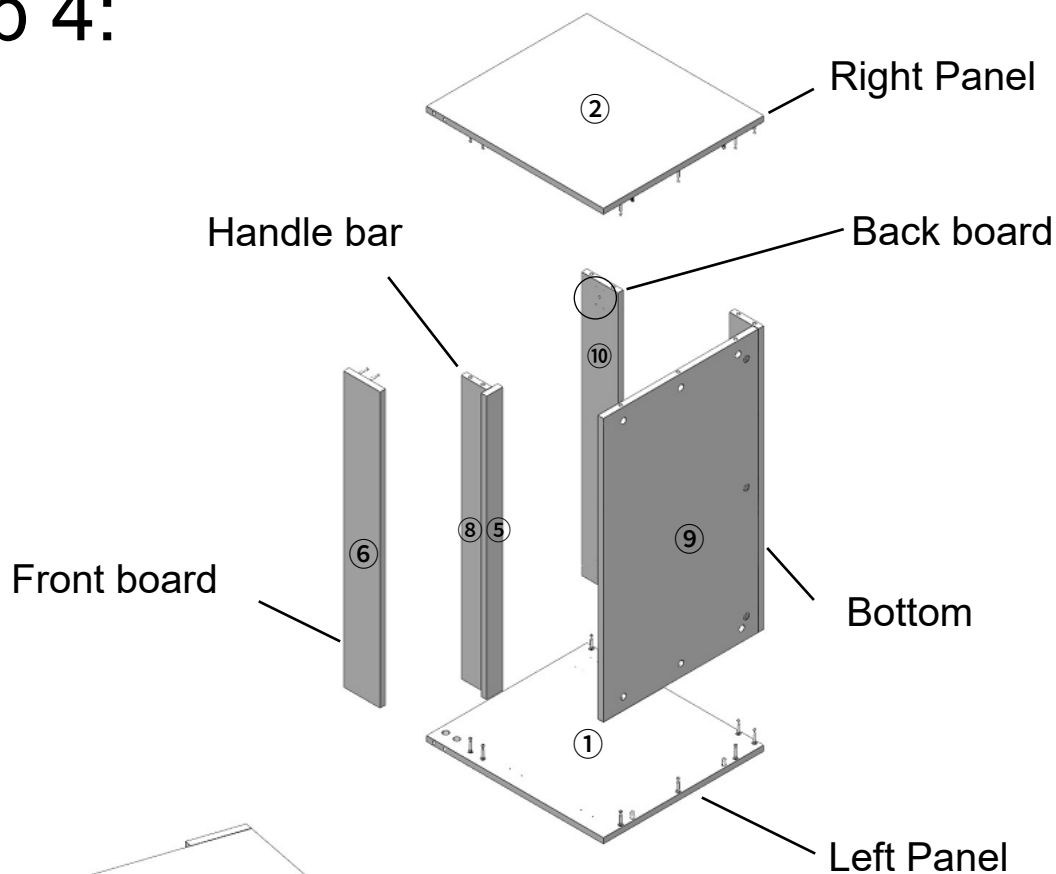


Part ⑩: Back board



Screw B 6pcs

# Step 4:



### Assembly sequence:

- 1: Place the left panel of panel 1 flat on a clean desktop
- 2: Insert the bottom panel of panel 9, panel 8, panel 10 according to the diagram then insert the right panel of panel 2 (align all screws with the holes)
- 3: Finally insert the panel of panel 6
- 4: Note: screw hole to back side

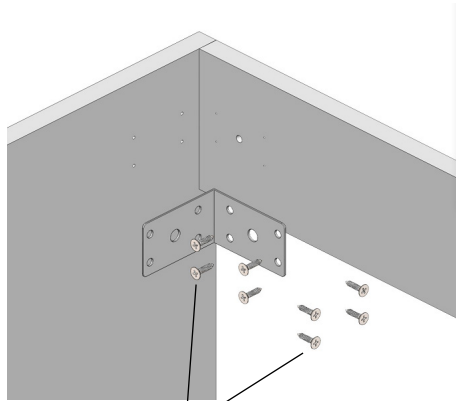
Screw B 22 pcs

The installation sequence of screws is from left to right and from bottom to top



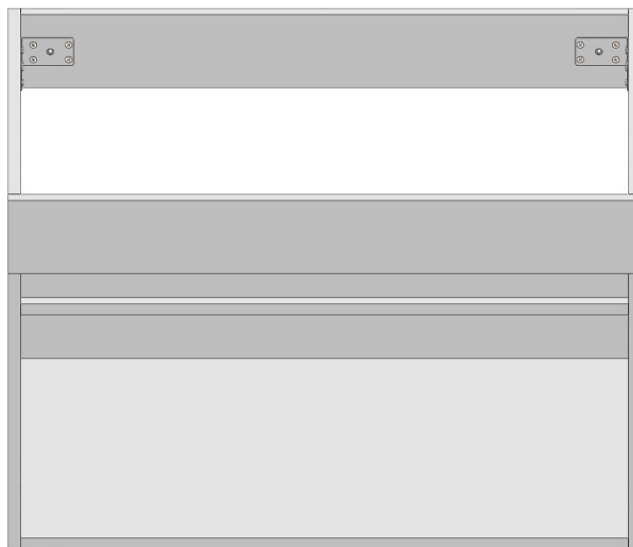
Screw B 22pcs

# Step 5:

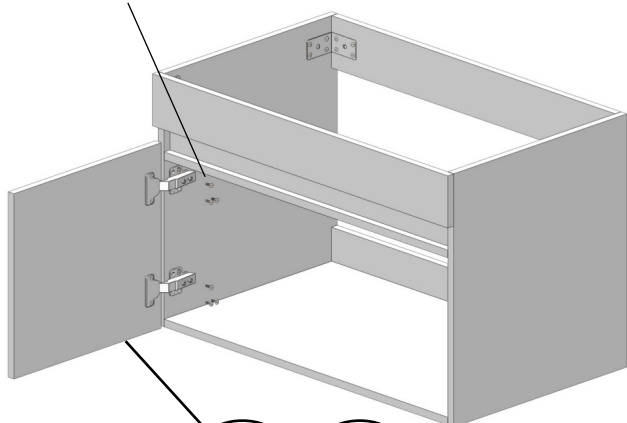


Screw C 16 pcs

install screws to hole to fix the block



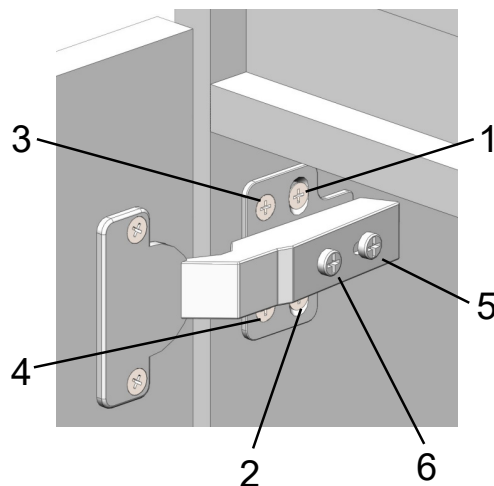
Screw C 16 pcs



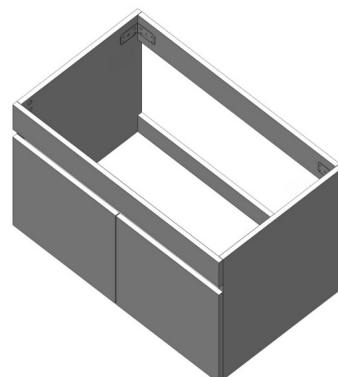
Door 2 sets

3

4



can loose or tight screws to adjust door gap, then put on the cap.



Install screws 1 and 2 in the corresponding holes of the shaft adjust the height of the door, make the door edge and cabinet bottom level and tighten the screws. Install fixing screws 3 and 4  
Screw 5 adjusts the forward and backward movement of the door panel and screw 6 adjusts the left and right movement of the door panel.  
Adjust the hinge screw cover plate on the back cover

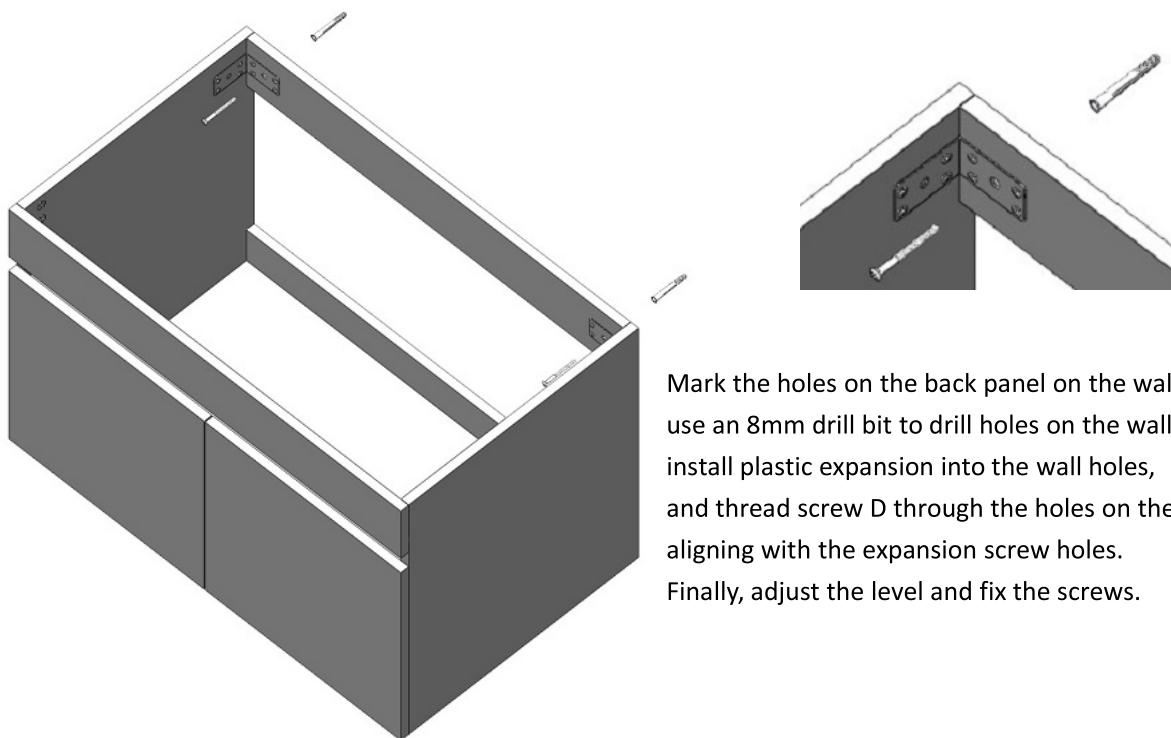


Corner Block 2 pcs

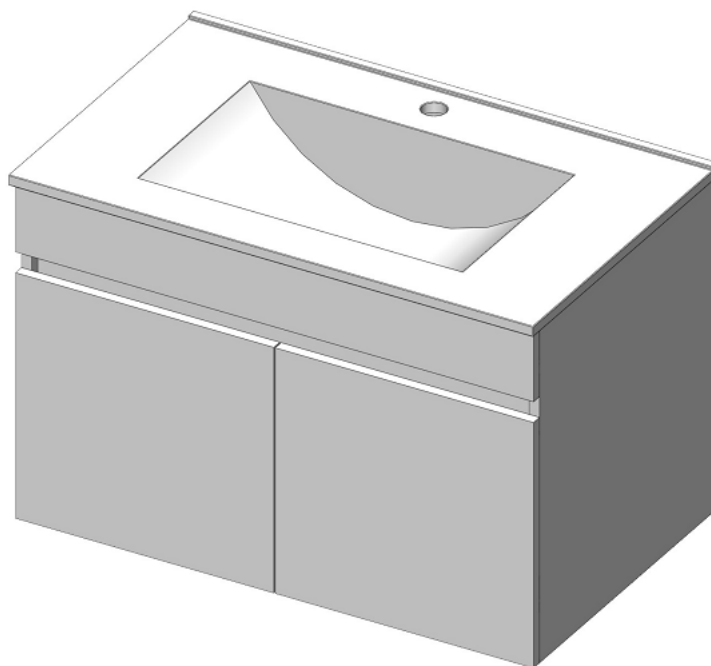


Screw C 28pcs

## Step 6:



Mark the holes on the back panel on the wall, use an 8mm drill bit to drill holes on the wall, install plastic expansion into the wall holes, and thread screw D through the holes on the corner bracket, aligning with the expansion screw holes. Finally, adjust the level and fix the screws.










Screw D 2sets


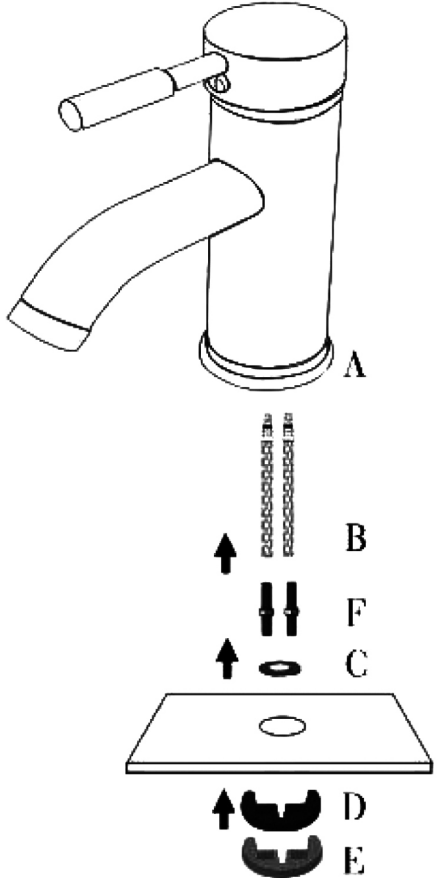


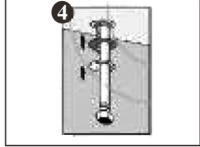



Basin 1pcs

# Installation Instructions

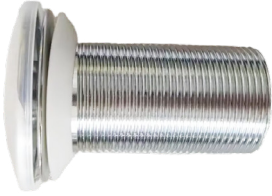
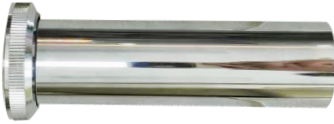



Parts List		
<b>A</b>  <div style="text-align: right;">X1</div>	<b>B</b>  <div style="text-align: right;">X1</div>	<b>C</b>  <div style="text-align: right;">X1</div>
		<b>D</b>  <div style="text-align: right;">X1</div>
<b>E</b>  <div style="text-align: right;">X1</div>	<b>F</b>  <div style="text-align: right;">X2</div>	<b>G</b>  <div style="text-align: right;">X1</div>

## Installation Steps

Step	Process	Effect chart
1. Drill a 1.34~1.46 inches hole in console table.		
2. Connecting hot and cold water pipes with the faucet.		
3. Put the pipes down through console table.		
4. Assemble the gasket bottom up.		
5. Screw the faucet tight.		

# Installation Instructions

## Parts List

①  x1	②  x1
③  x1	④  x1
⑤  x1	

## Installation Steps

