

Installation Manual of Bed

Dear Valued Customer:

Thank you for choosing our brand and purchasing our bed frame!

We are thrilled to have earned your trust and we want to ensure that you are completely satisfied with your purchase. To help you get the most out of your new bed frame, we would like to share some useful tips on cleaning and maintenance.

When cleaning your bed frame, we recommend using a soft, slightly moist cloth. Avoid using corrosive detergents, wire brushes, abrasive scourers, or any sharp metal objects as they may damage the product.

Additionally, we recommend checking the components of the bed frame regularly to ensure that all screws are tightened and the frame remains stable.

Installing the bed frame is a simple process. Please refer to the detailed instructions in the manual for step-by-step guidance.

Customer satisfaction is our top priority and we are committed to providing you with the best service and high-quality products. If you have any questions or concerns regarding your bed frame, please don't hesitate to contact our customer service team at email. We are here to help you and resolve any issues you may have. To solve your problem faster, please note the following information in the email.

Theme: Beds Service

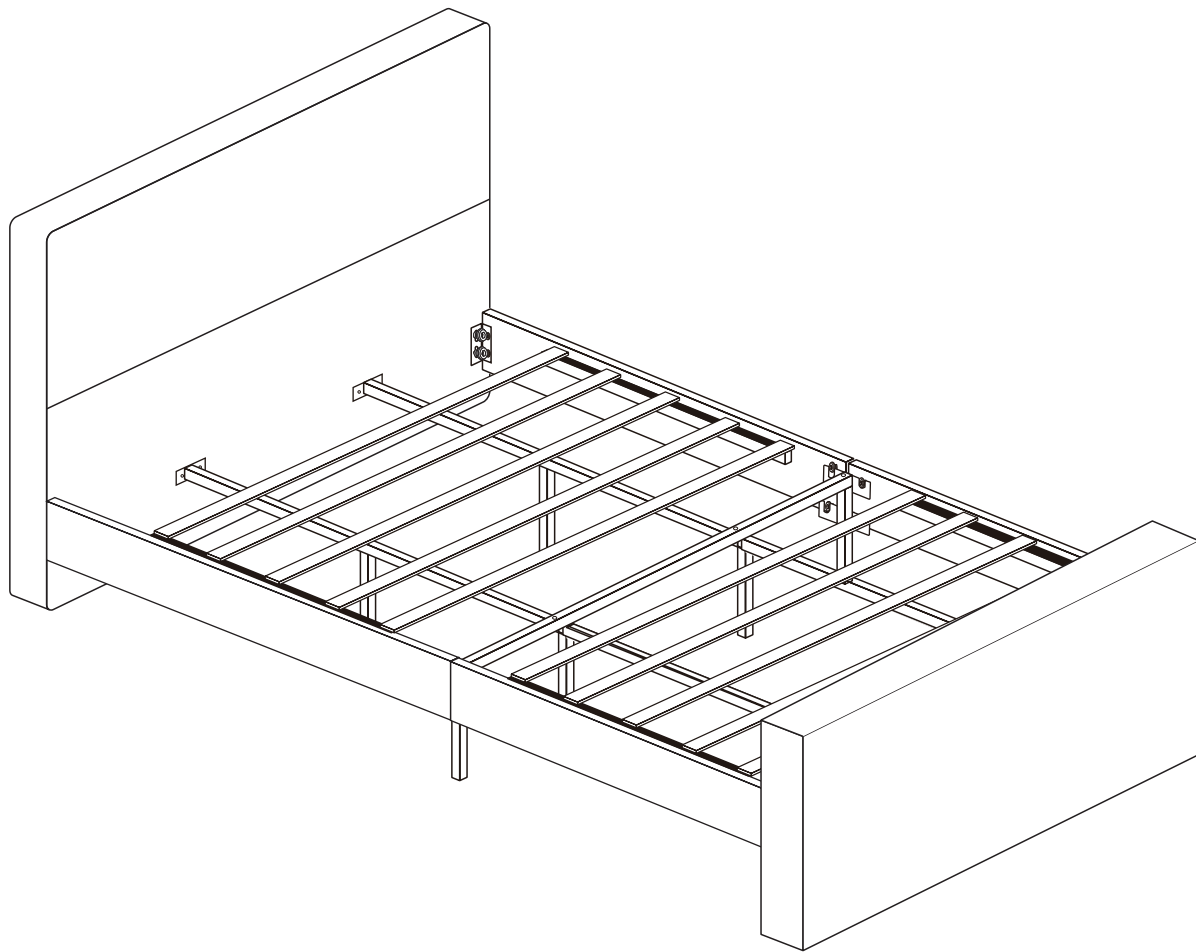
Content: Name-XXX

Order ID Number: xxx-xxxxxxx-xxxxxxx

Once again, we would like to express our gratitude to you for choosing our product. Your trust and support mean the world to us. We look forward to continuing to provide you with the best products and services possible.

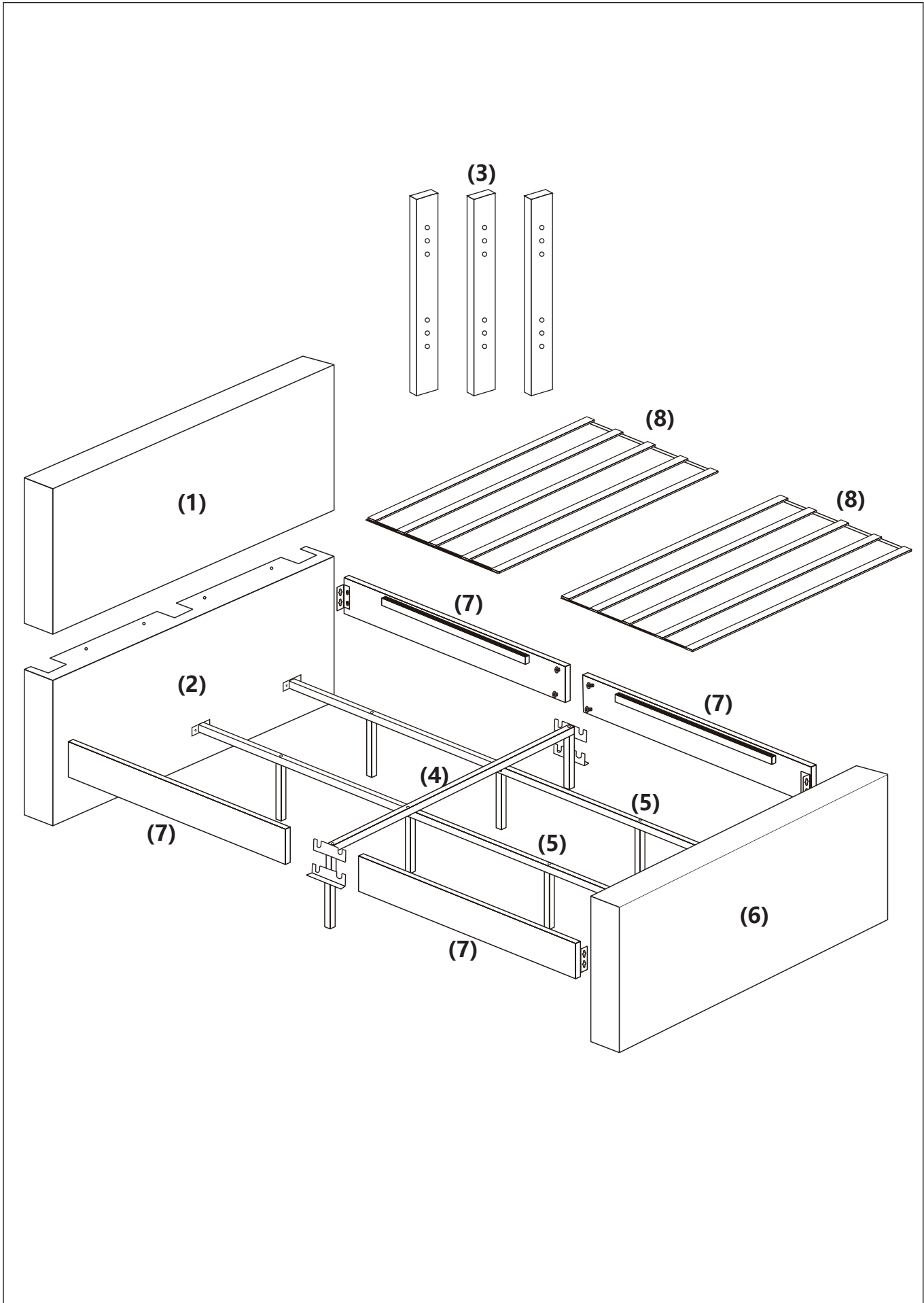
Best Regards,

Customer Service Team



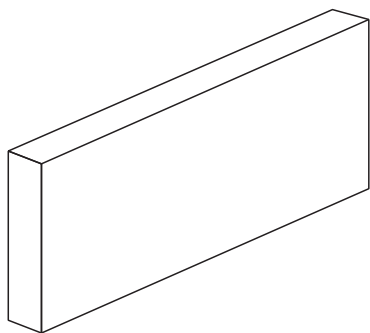
IMPORTANT NOTE

1. Please check that all parts are complete before installation.
2. Please strictly follow the installation steps to install.
3. Please install the bed on a clean and smooth surface to prevent any damage.
4. Please do not use the power tools to assemble the bed.
5. Please periodically check all the fittings and re-tighten as necessary.
6. Please do not use the bed unless all bolts and screw are firmly secured.
7. Please contact us if you need any help, we will reply you in six hours.

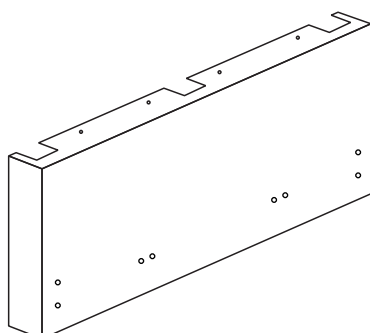


PART LIST

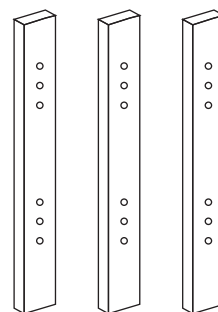
(1) Headboard Top Frame



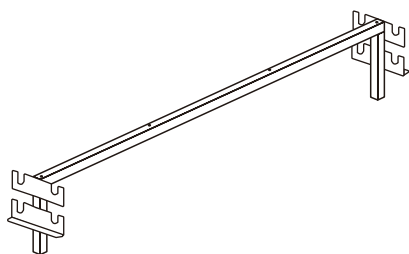
(2) Headboard Bottom Frame



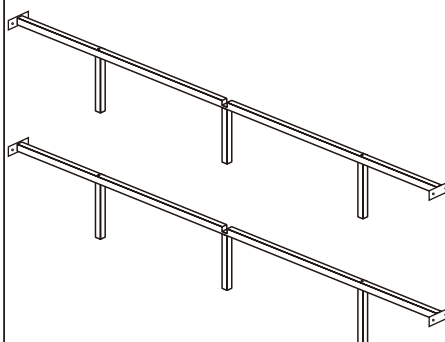
(3) Headboard Connecting Brace



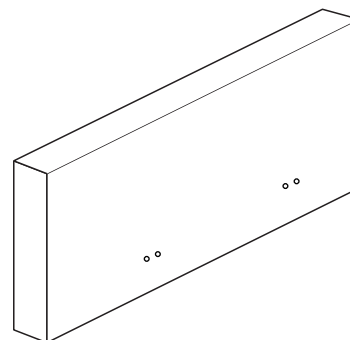
(4) Center iron frame



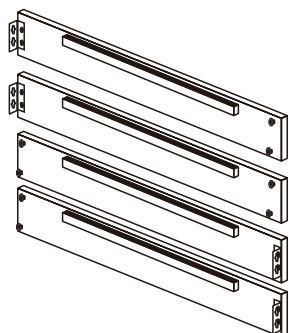
(5) Center iron frame



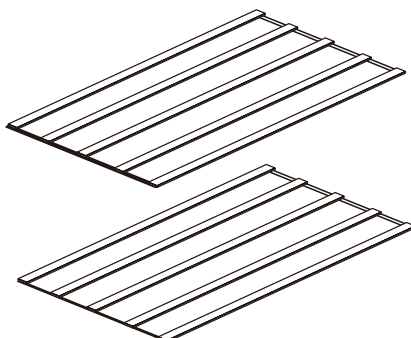
(6) Bed footboard



(7) Bed side panel

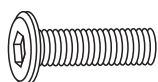


(8) Velcro

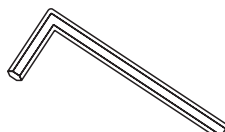


PART LIST

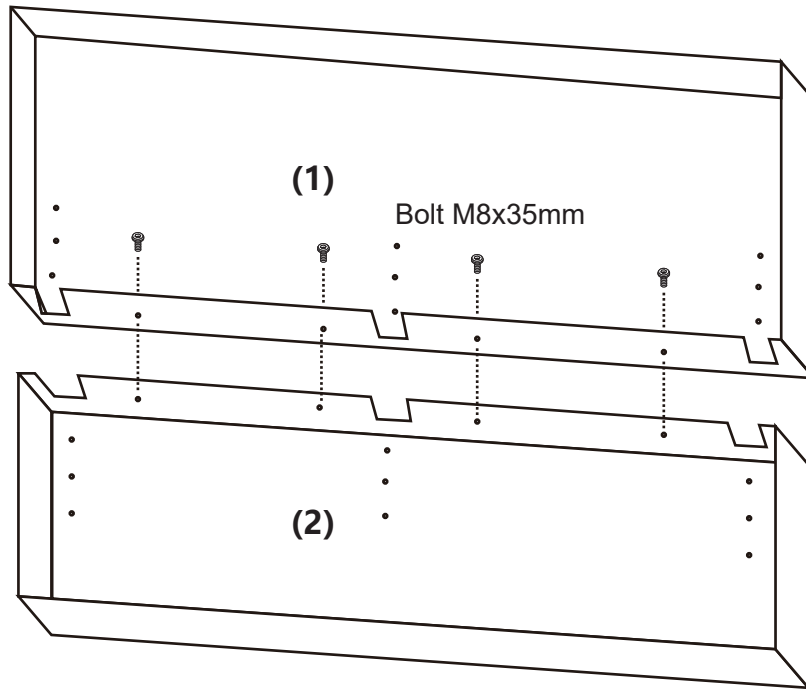
Bolt M8x20mmX24pcs
 Bolt M8x35mmX36pcs
 Bolt M8x50mmX2pcs



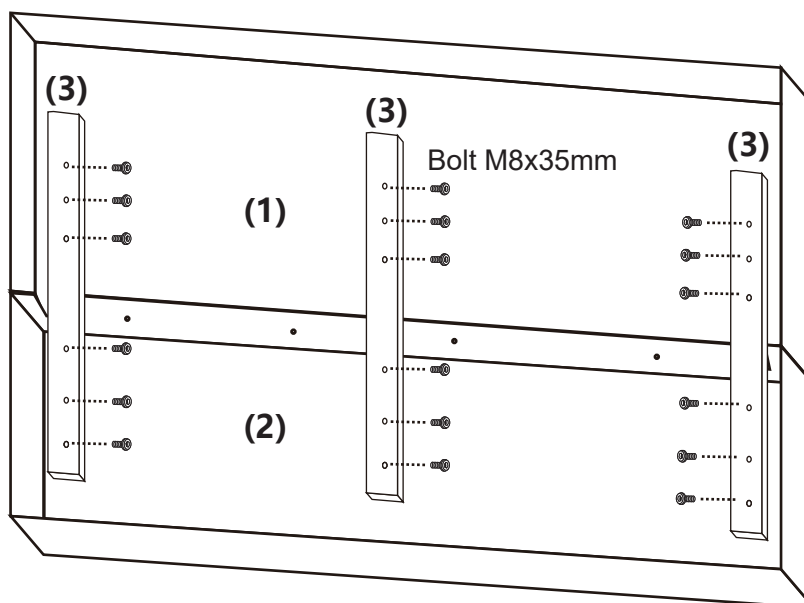
(H2) Allen Key M5 x1pc
 (Installation tool)



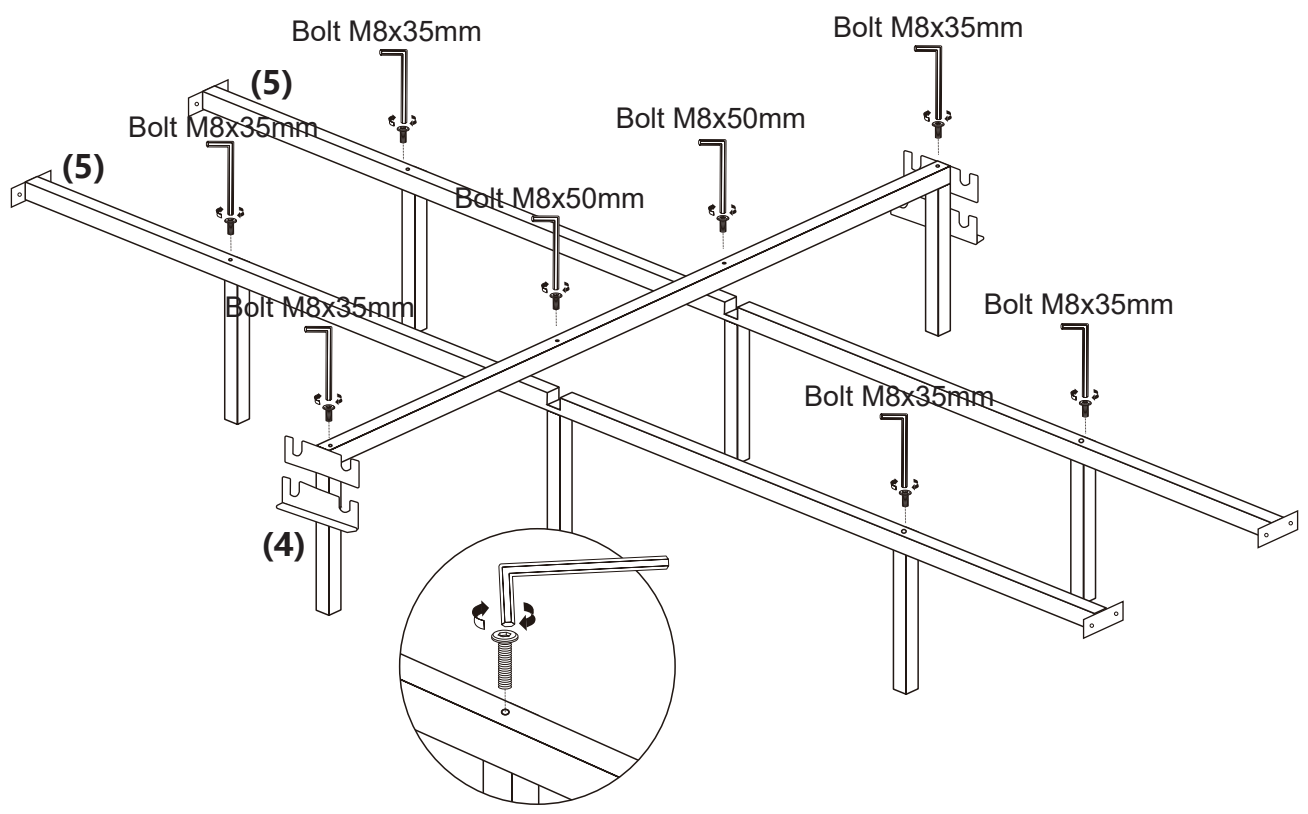
Step 1 Assemble part (1) with part (2) as shown in the figure, then align the holes and fasten with corresponding screws.



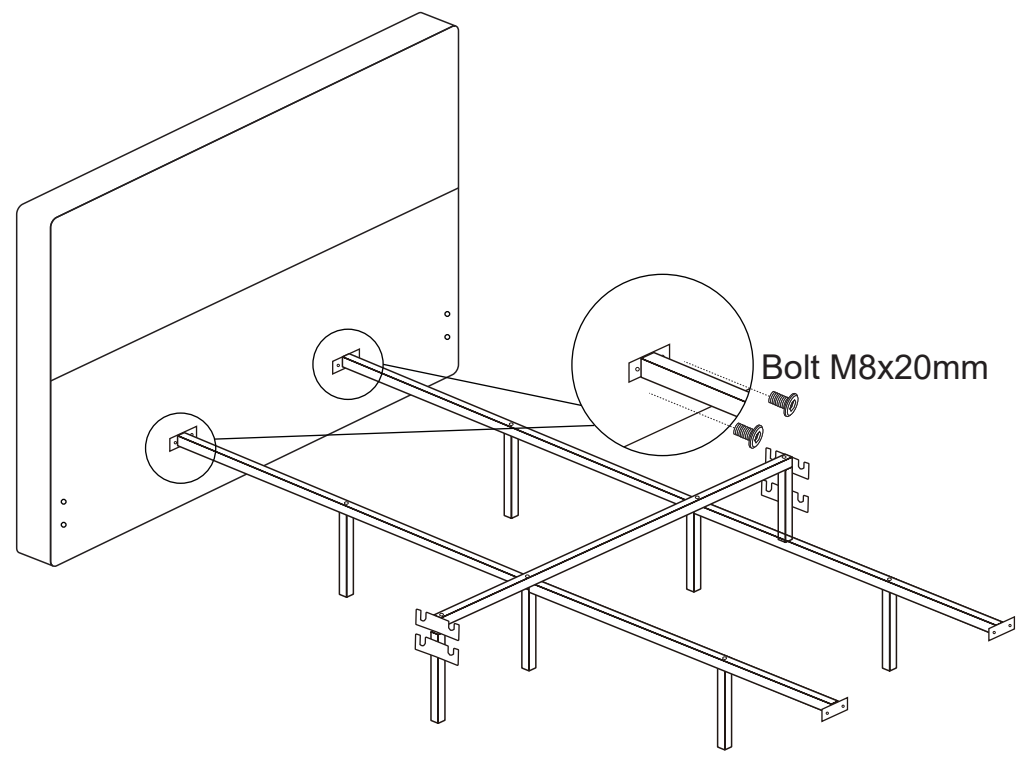
Step 2 Position part (3) as shown in the figure, align the holes, and fasten with corresponding screws.



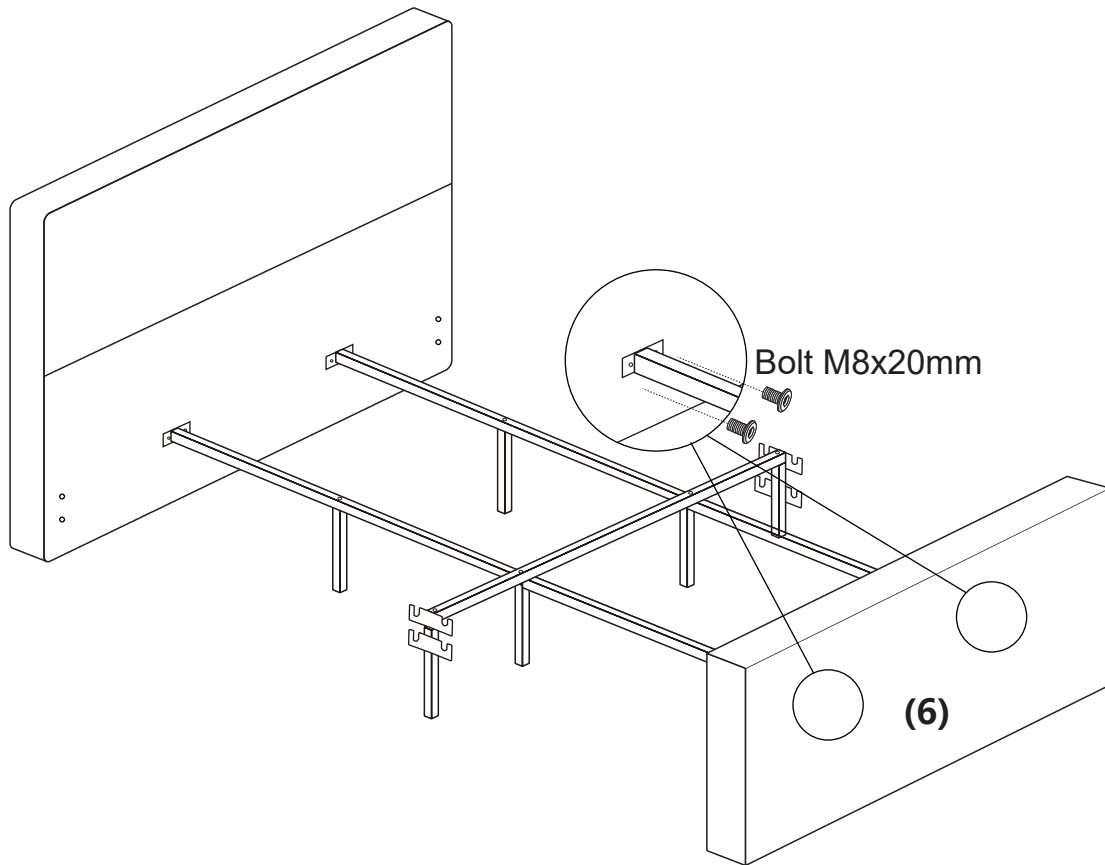
Step3 Align part (4) with part (5) as illustrated and secure using the corresponding screws by tightening through the aligned holes.



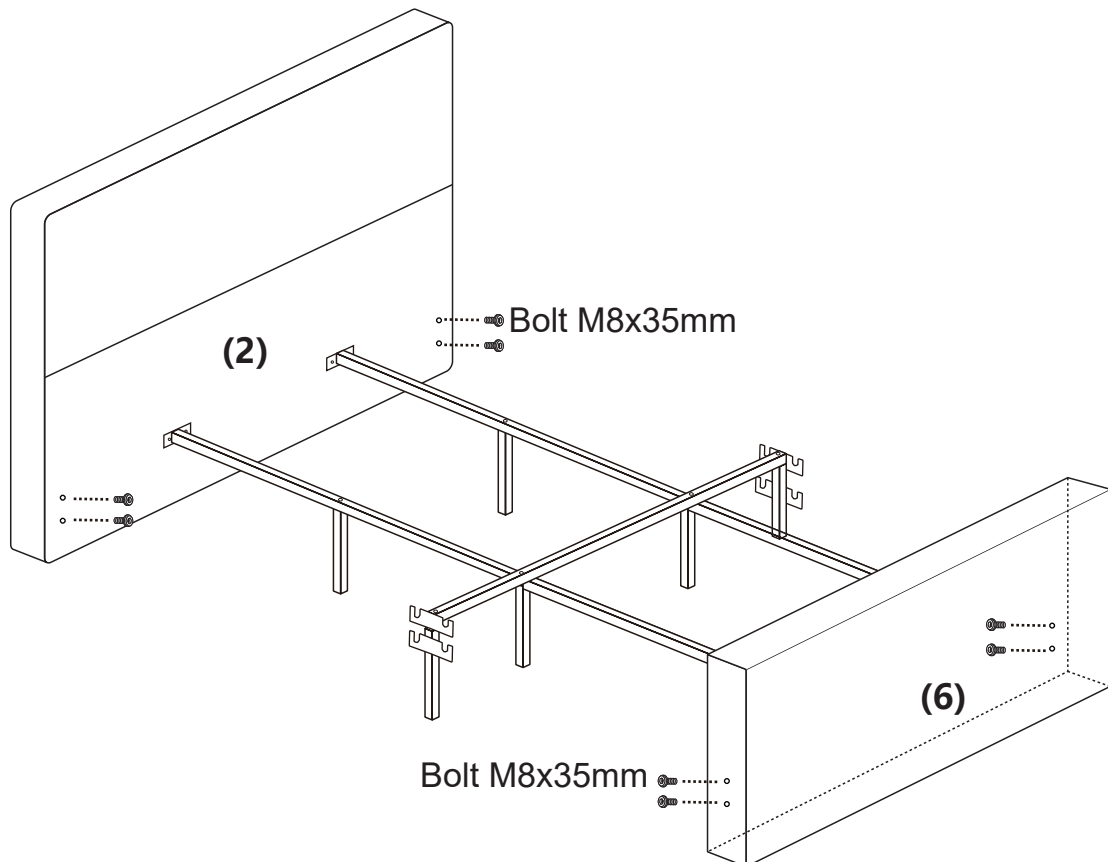
Step 4 Position the assembled components as shown in the diagram and secure by tightening the corresponding screws through aligned holes.



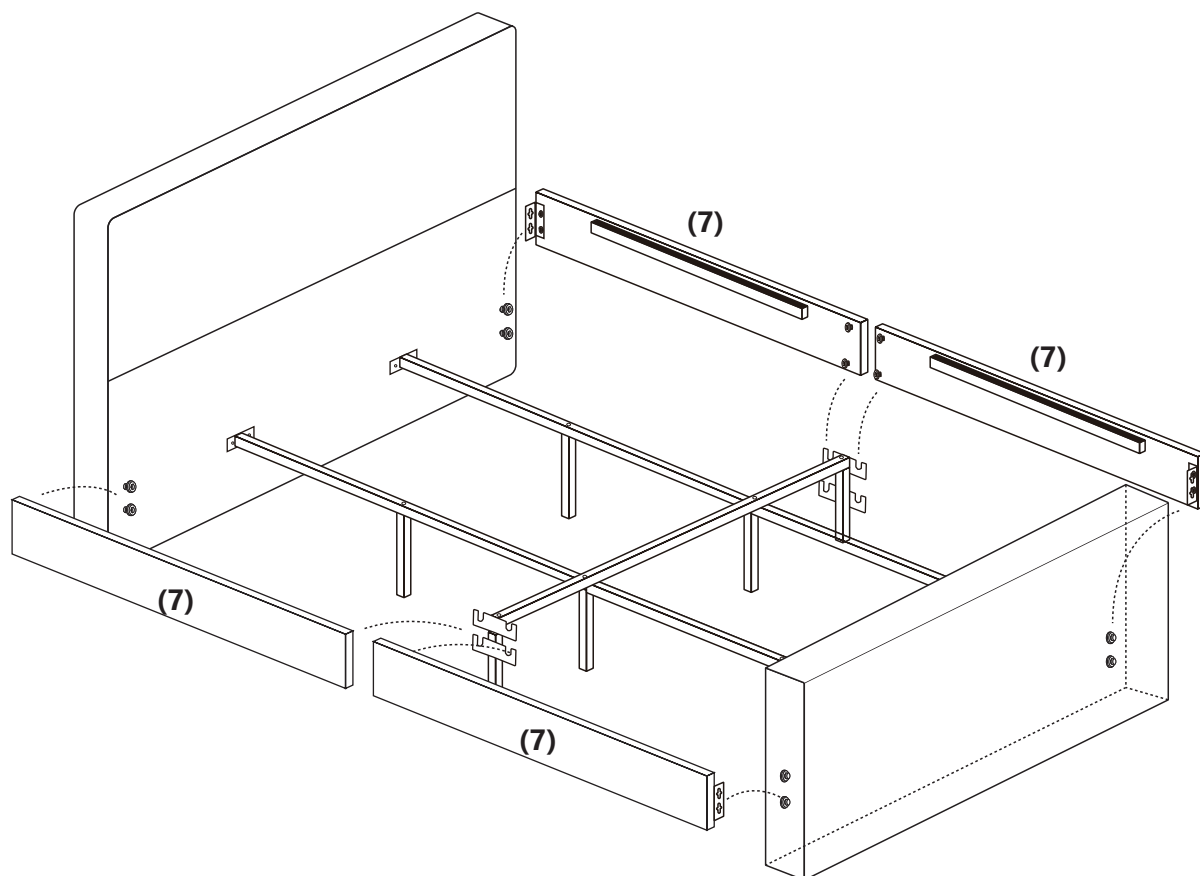
Step 5 Position part (6) as illustrated, align the holes and fasten with corresponding screws.



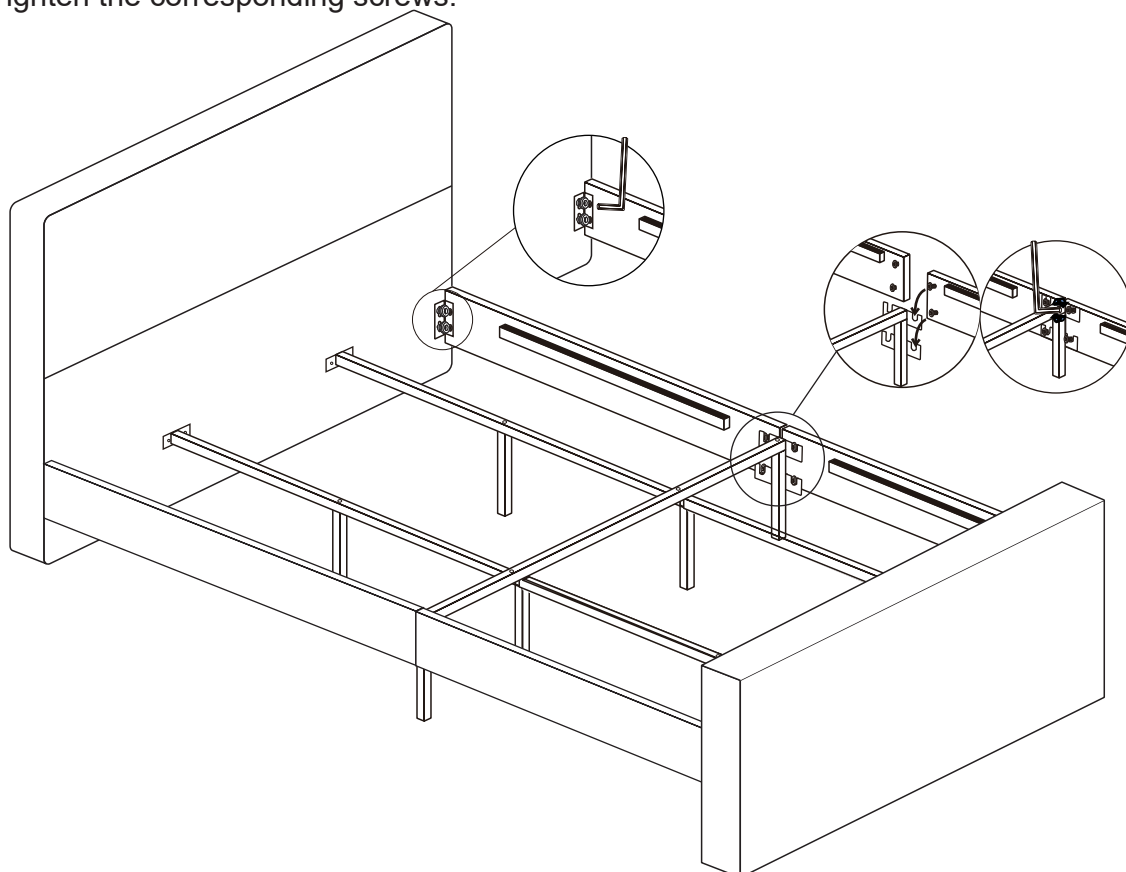
Step 6 Pre-install screws in the holes of part (2) and part (6), but do not tighten them.



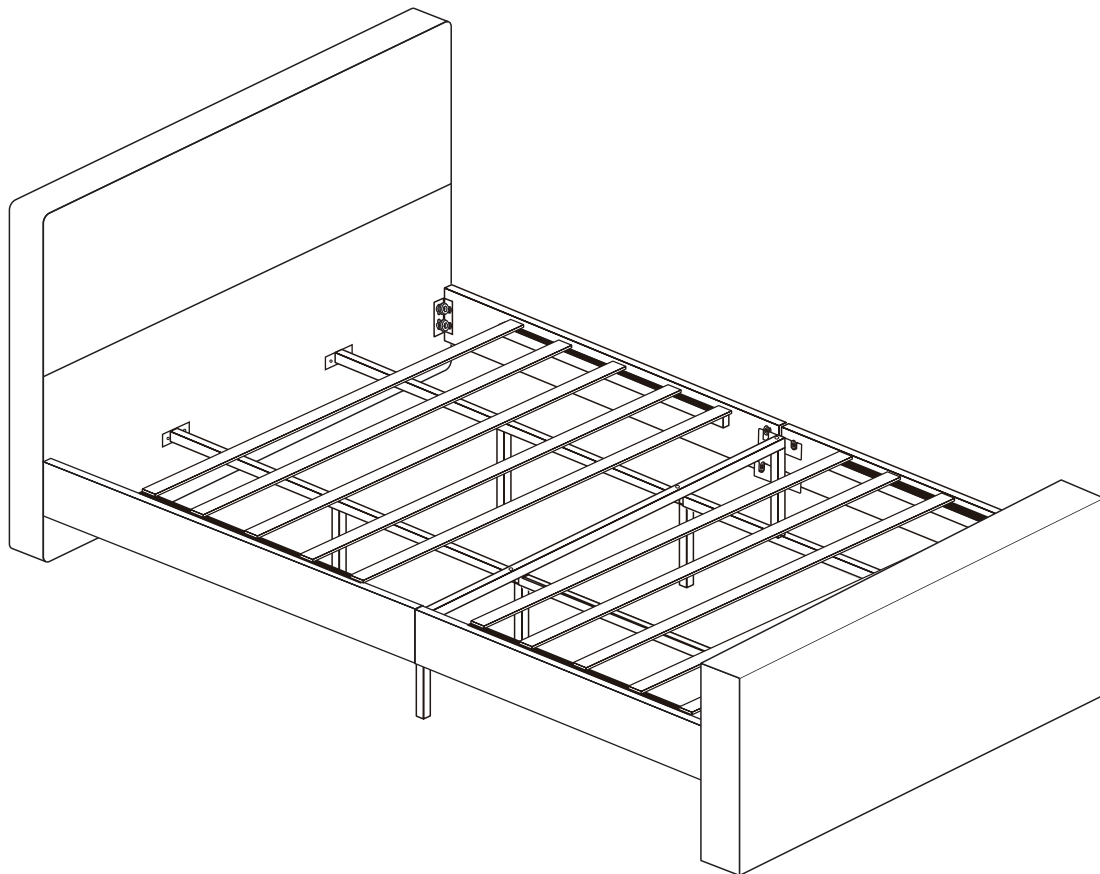
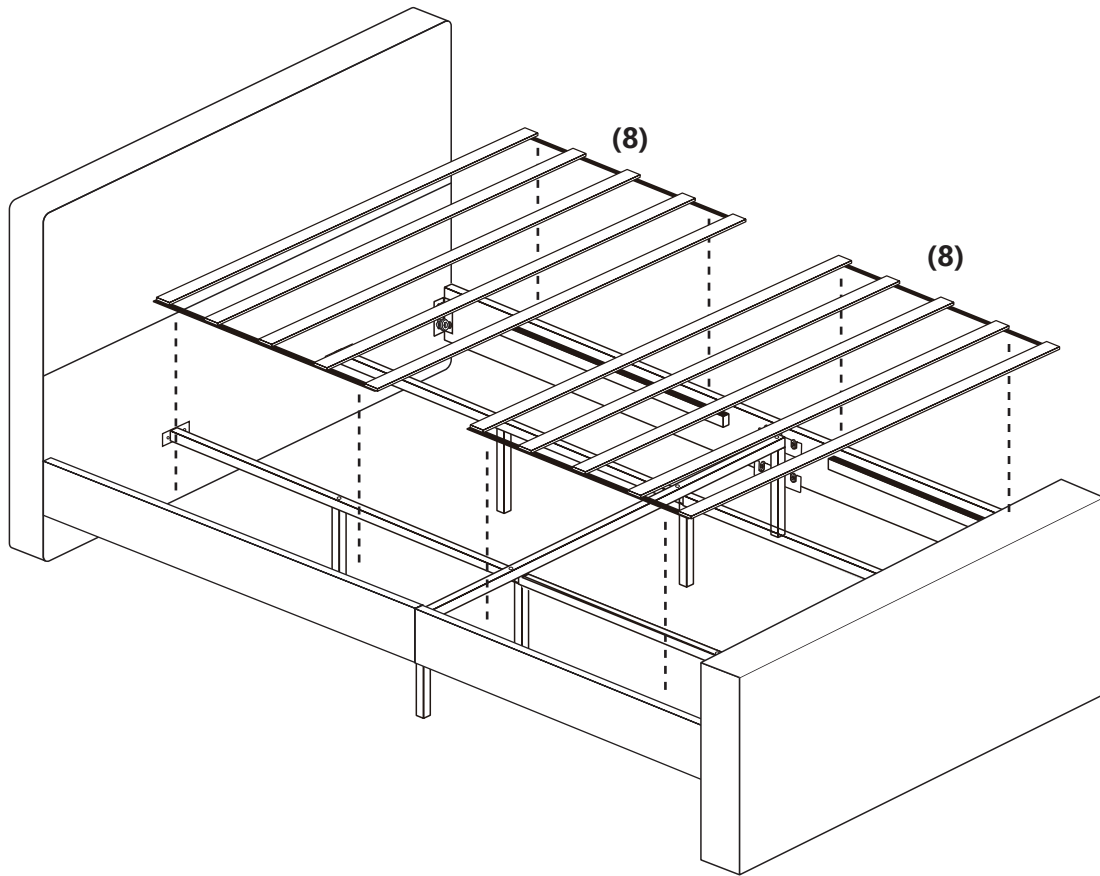
Step 7 Place part (7) as shown in the figure, then tighten the corresponding screws.

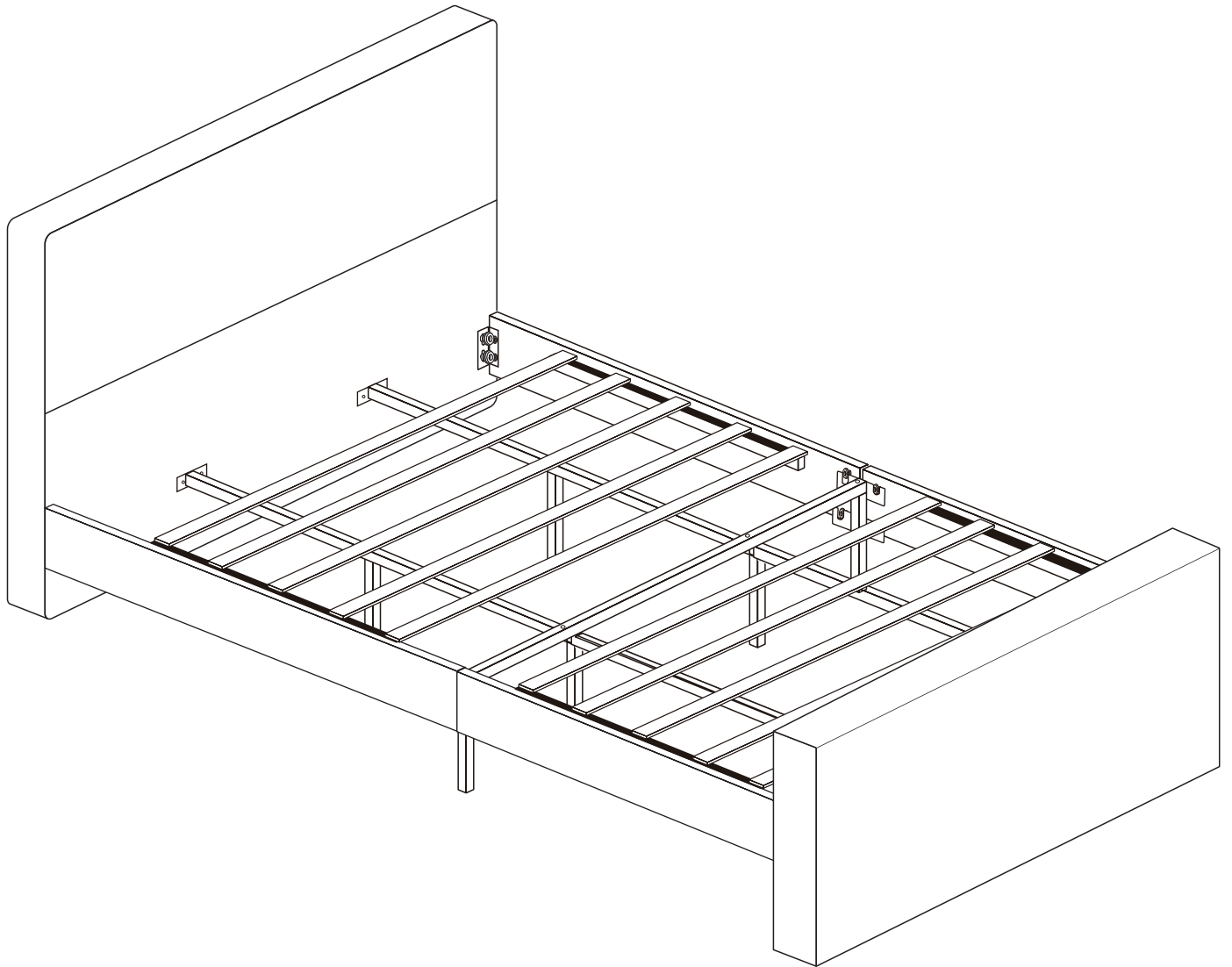


Step 8 Tighten the corresponding screws.



Step 9 Open and place part (8) into position.





Job complete!

In the interest of our environment, please dispose of all packaging thoughtfully, thanks!