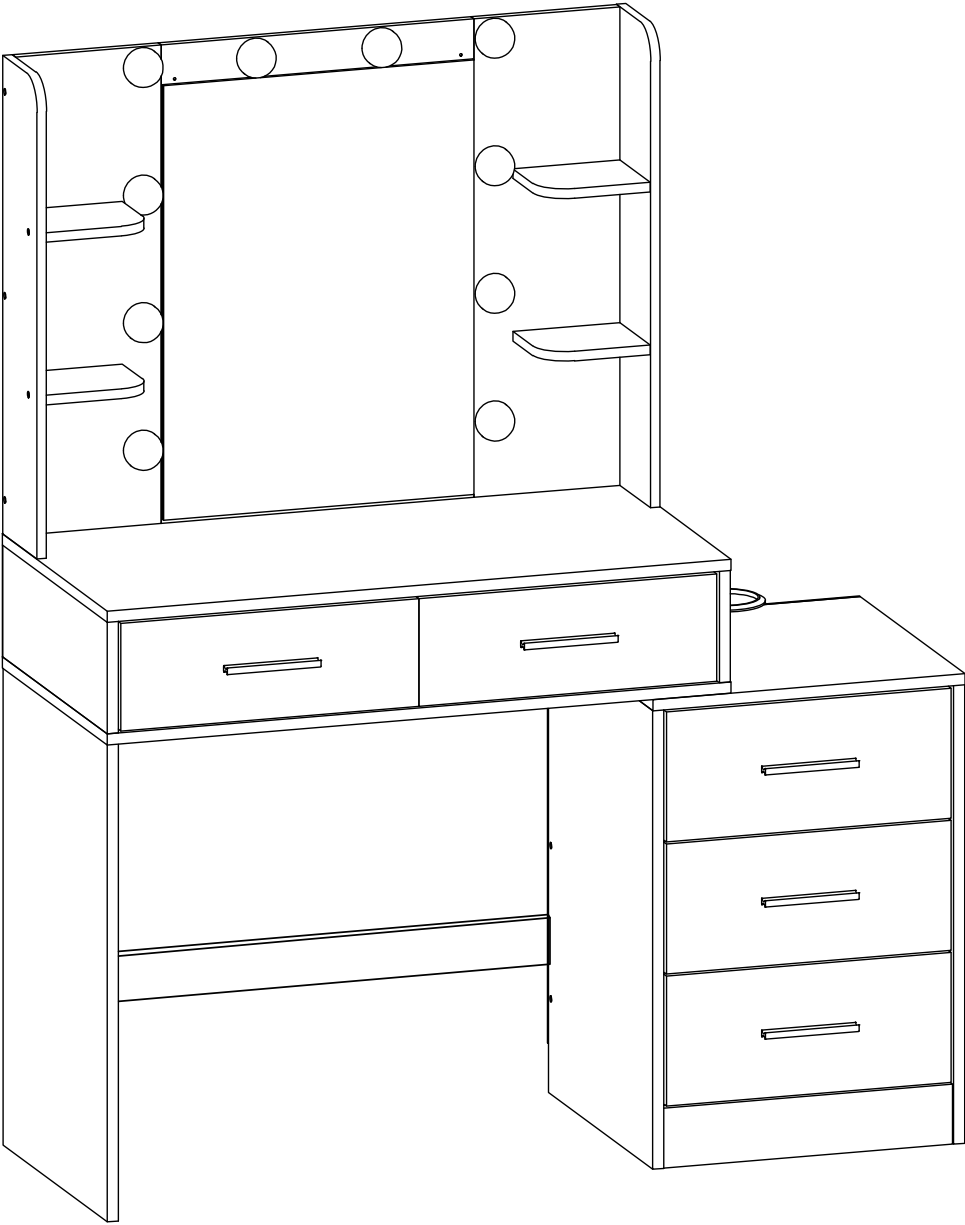


ASSEMBLY INSTRUCTIONS

---

# 5 DRAWERS VANITY DESK

---





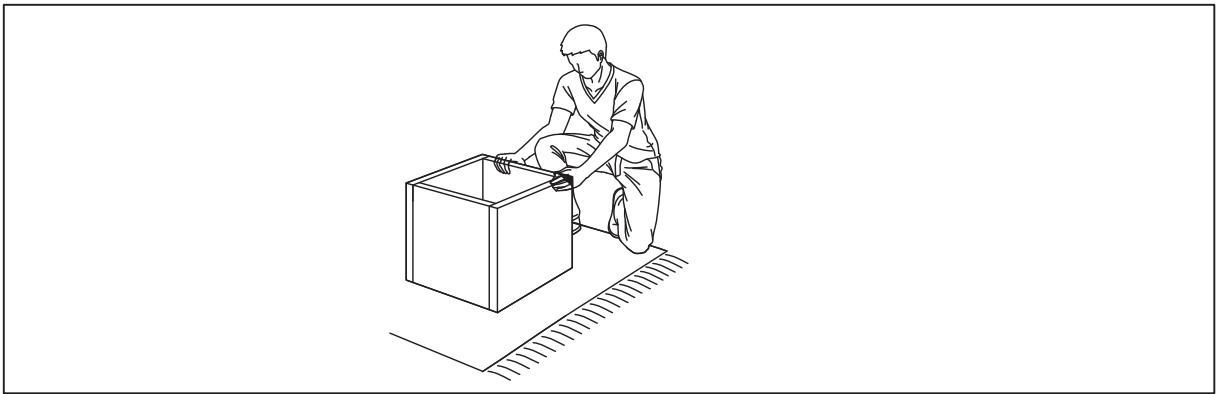
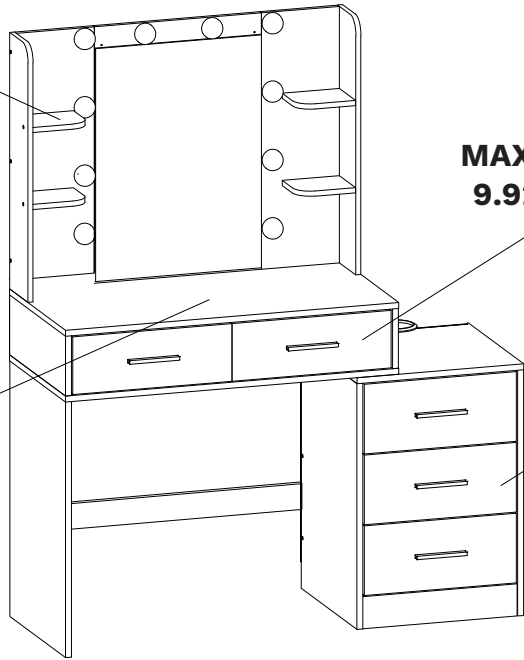
Estimated Time for Assembly  
60 mins

**MAXIMUM LOAD**  
4.41lbs / 2kg

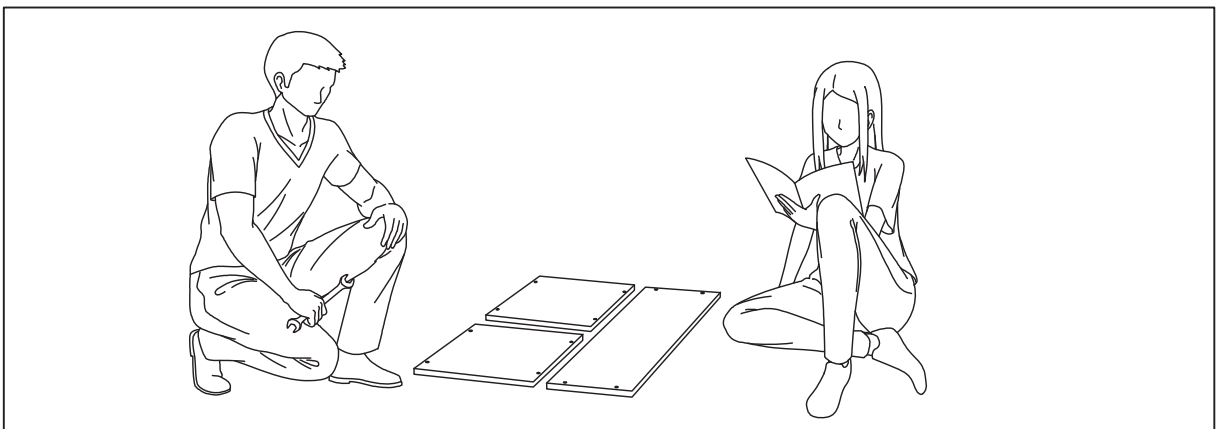
**MAXIMUM LOAD**  
9.92lbs / 4.5kg

**MAXIMUM LOAD**  
9.92lbs / 4.5kg

**MAXIMUM LOAD**  
220.46lbs / 100kg

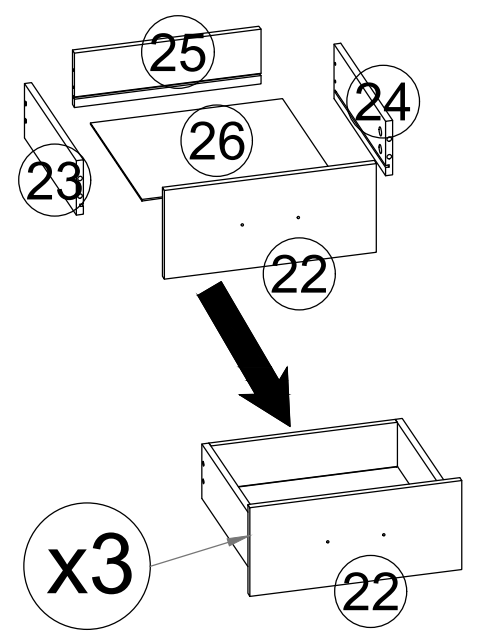
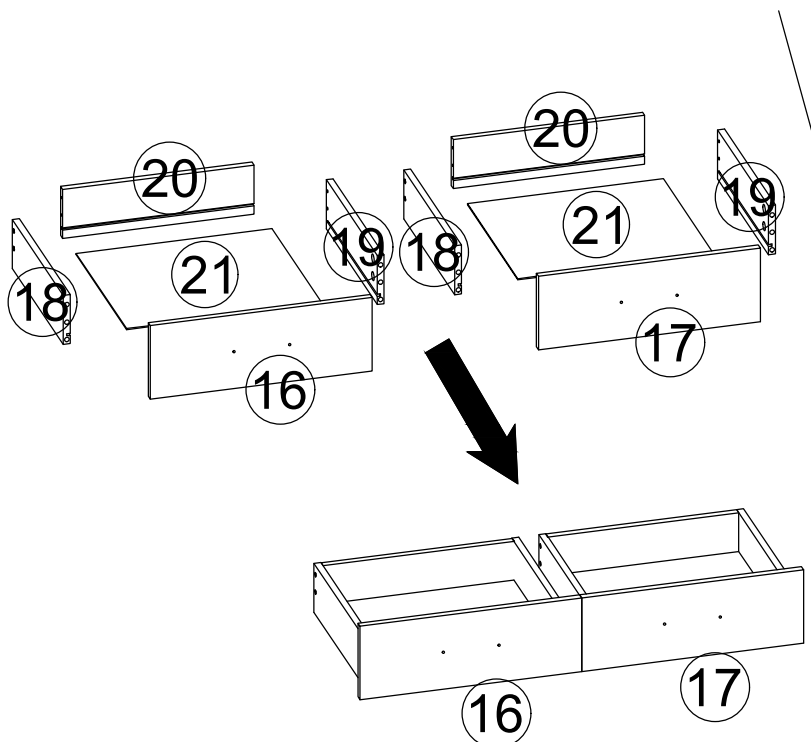
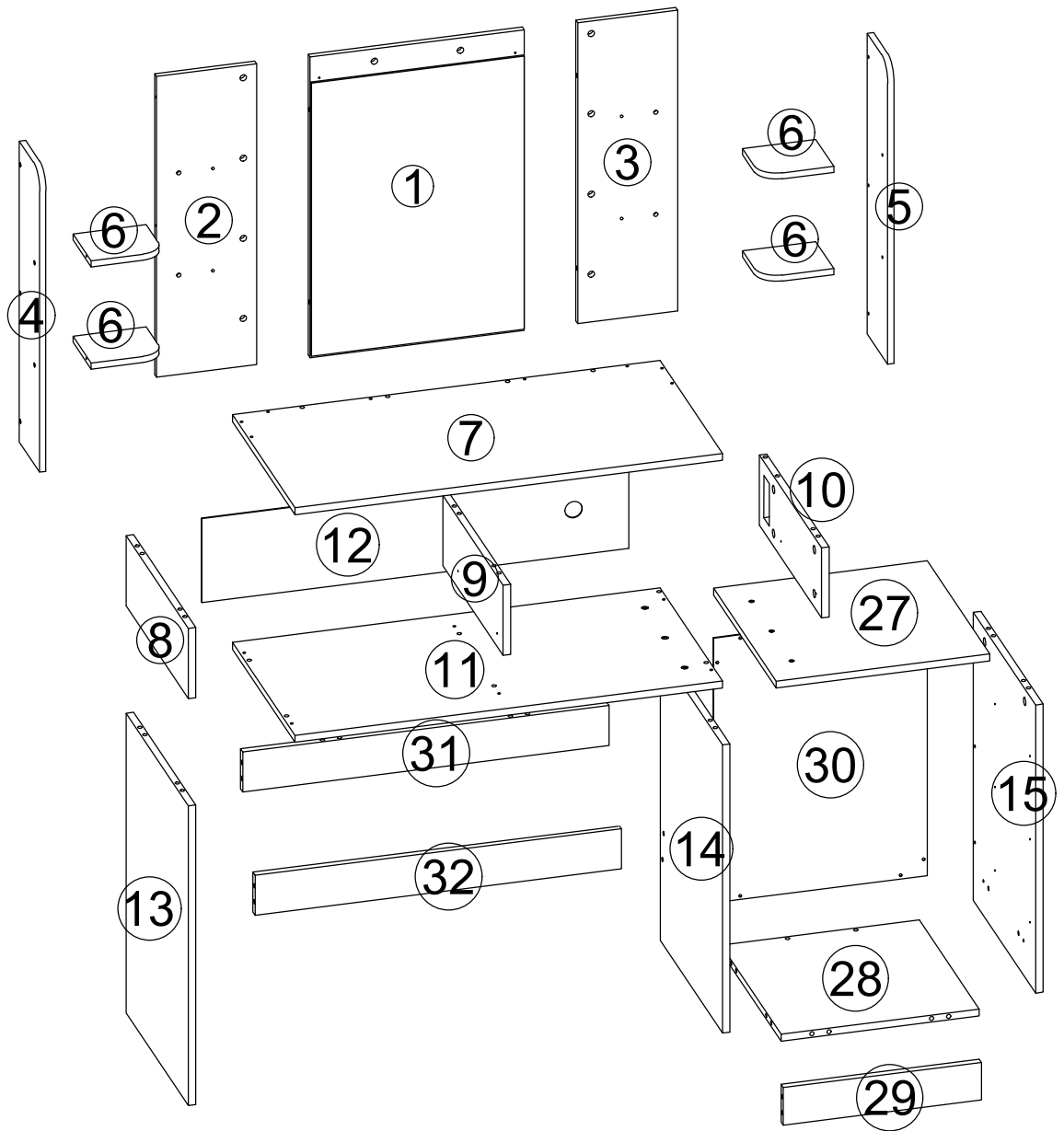


Assemble the furniture on empty carton, carpet, or rug to prevent scratches or damage.

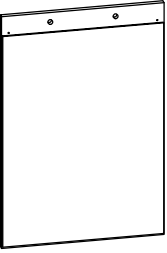
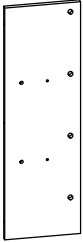
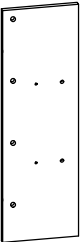
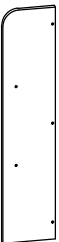

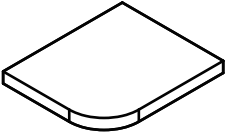
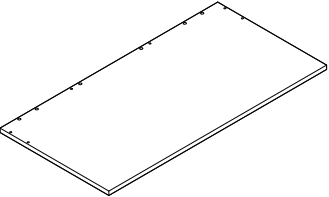
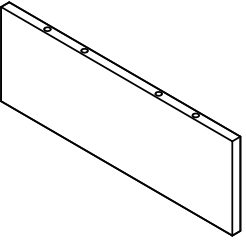
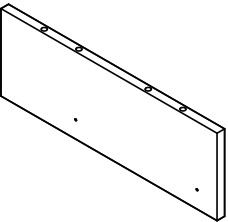
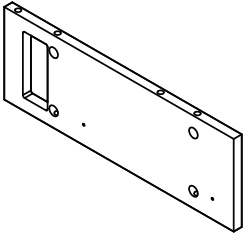
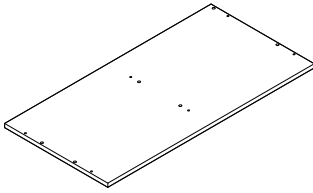
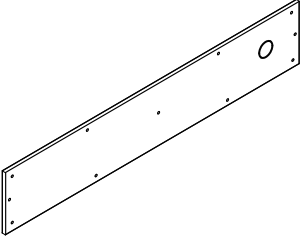
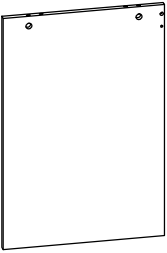
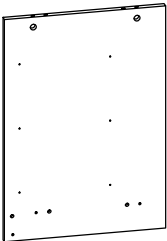
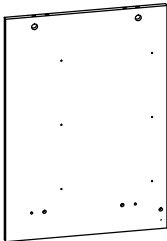
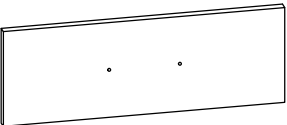
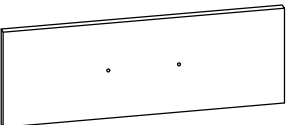
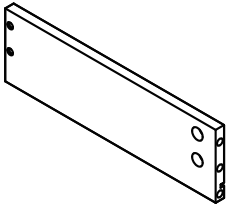
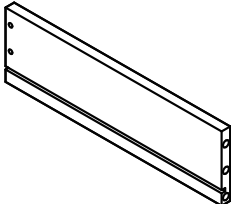
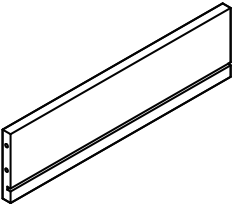


This furniture requires 2 people to assembly.  
Make sure no parts are missing or damaged before assembly.

# ASSEMBLY BREAKDOWN DRAWING

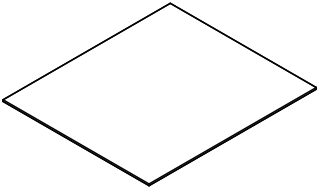


# CABINET PARTS

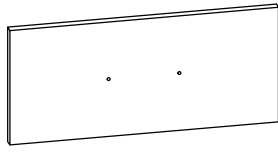
<p>① x1</p> 	<p>② x1</p> 	<p>③ x1</p> 	<p>④ x1</p> 
<p>⑤ x1</p> 	<p>⑥ x4</p> 	<p>⑦ x1</p> 	<p>⑧ x1</p> 
<p>⑨ x1</p> 	<p>⑩ x1</p> 	<p>⑪ x1</p> 	<p>⑫ x1</p> 
<p>⑬ x1</p> 	<p>⑭ x1</p> 	<p>⑮ x1</p> 	<p>⑯ x1</p> 
<p>⑰ x1</p> 	<p>⑱ x2</p> 	<p>⑲ x2</p> 	<p>⑳ x2</p> 

# CABINET PARTS

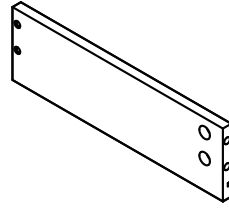
21 x2



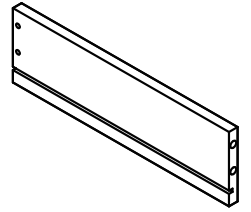
22 x3



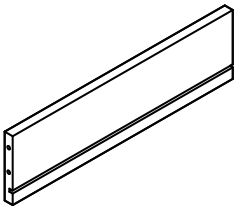
23 x3



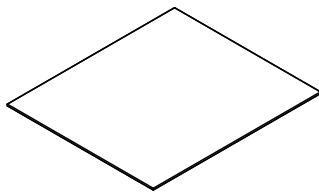
24 x3



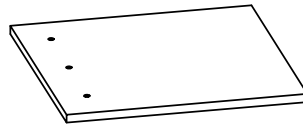
25 x3



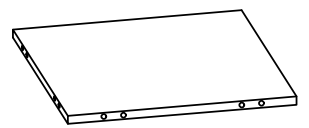
26 x3



27 x1



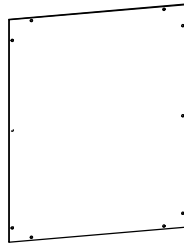
28 x1



29 x1



30 x1



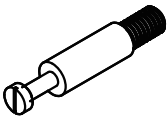
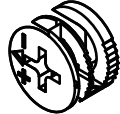
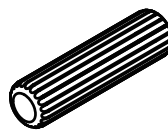

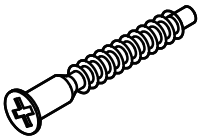
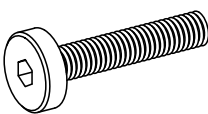
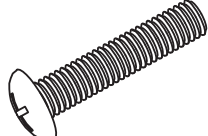
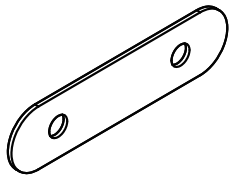
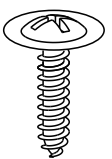
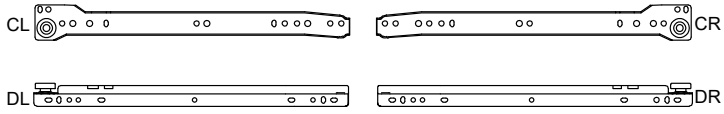
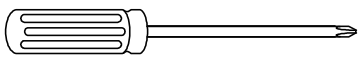
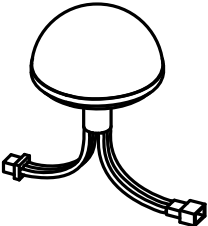
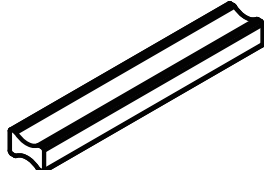
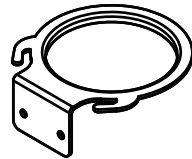
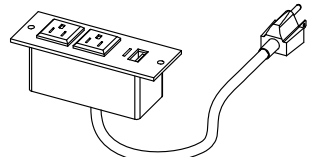

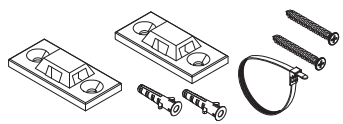
31 x1



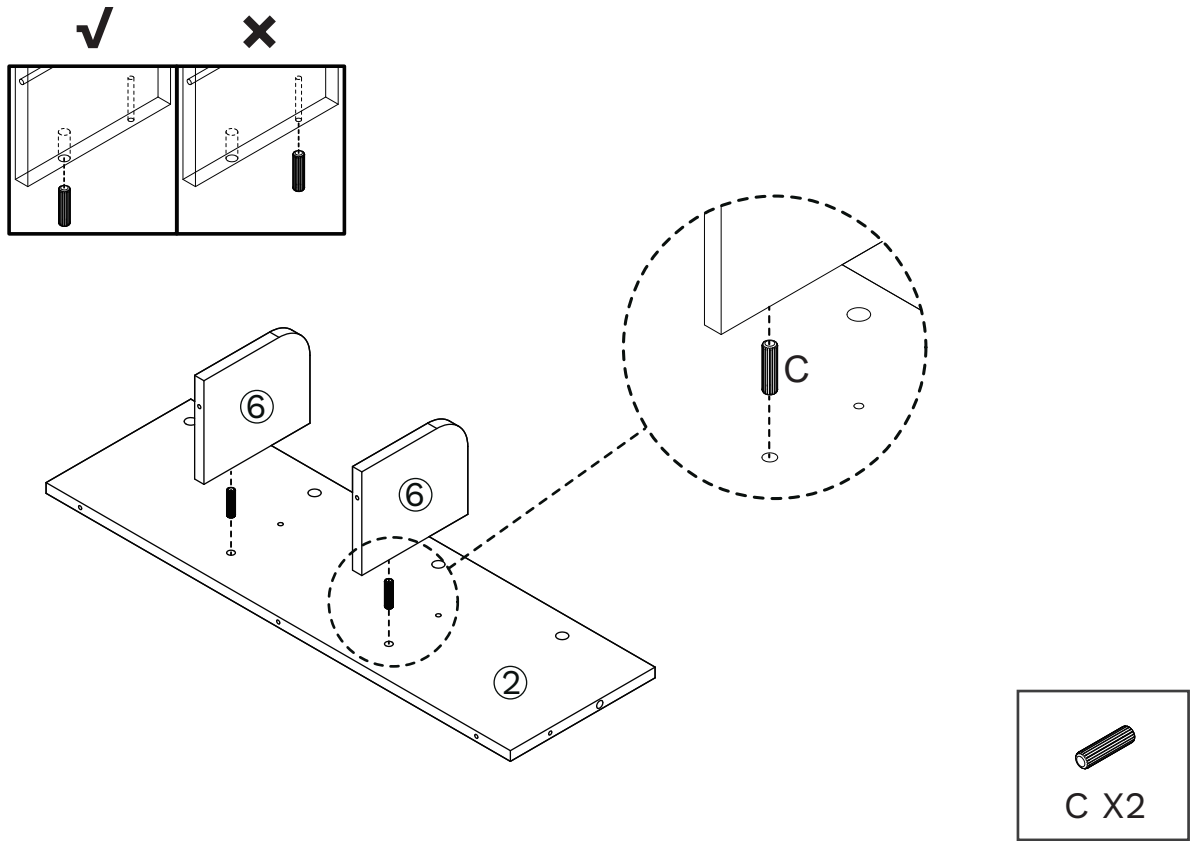
32 x1



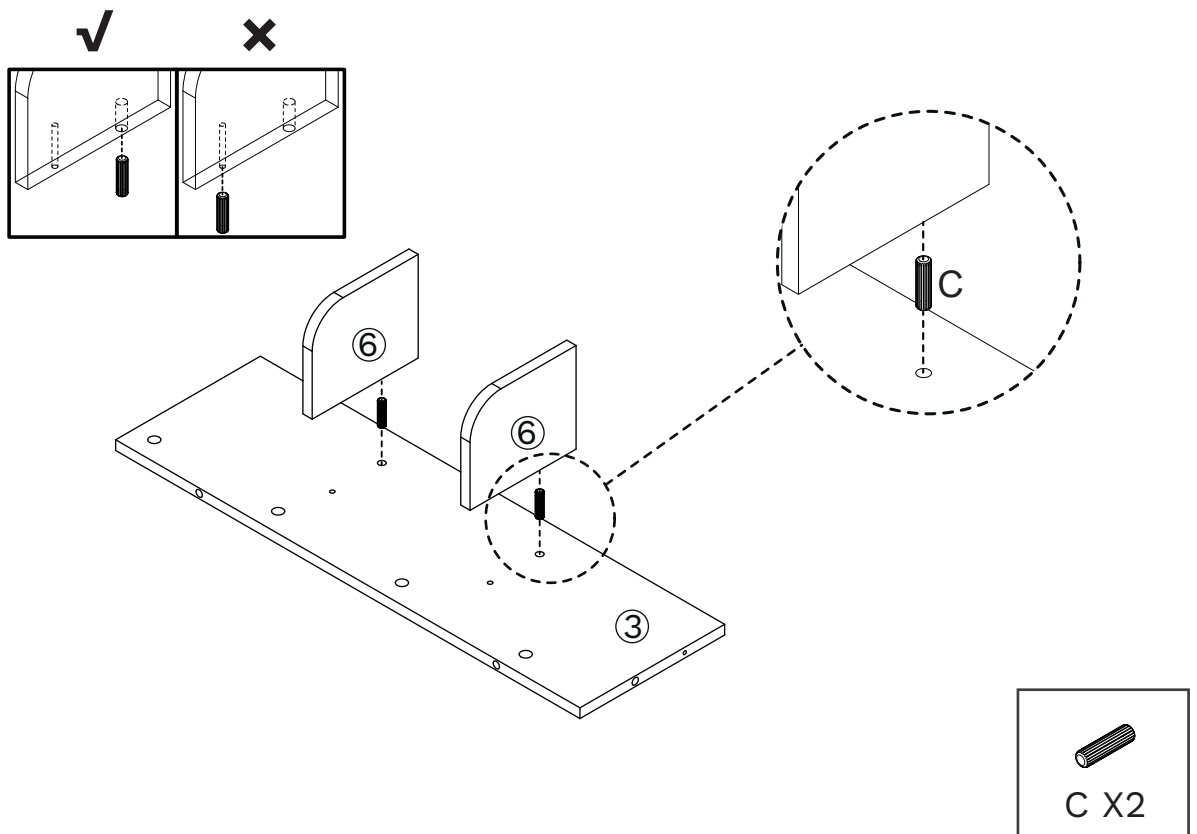
# PARTS

<p><b>A</b> X54+2</p>  <p>M6*30</p>	<p><b>B</b> X54+2</p>  <p>M6*30</p>	<p><b>C</b> X46+2</p>  <p>M8*30</p>	<p><b>D</b> X56+4</p>  <p>M3.5*12</p>
<p><b>E</b> X42+2</p>  <p>M5*40</p>	<p><b>F</b> X3</p>  <p>M6*30</p>	<p><b>H</b> X10</p>  <p>M4*14</p>	<p><b>I</b> X6</p> 
<p><b>J</b> X21+2</p>  <p>M2.5*15</p>	<p><b>K</b> X5</p> 		<p><b>L</b> X1</p> 
<p><b>M</b> X10+2</p> 	<p><b>N</b> X5</p> 	<p><b>O</b> X1</p> 	<p><b>P</b> X1</p> 
<p><b>Q</b> X1</p> 	<p><b>R</b> X1</p> 		

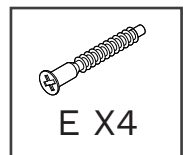
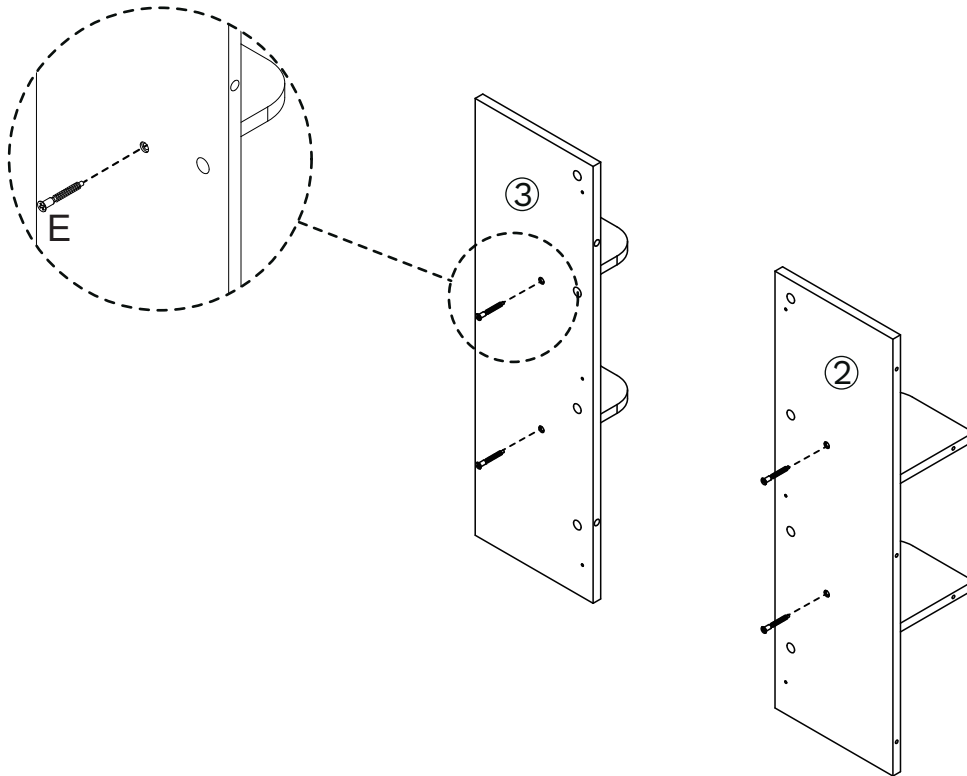
# STEP 1



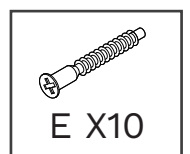
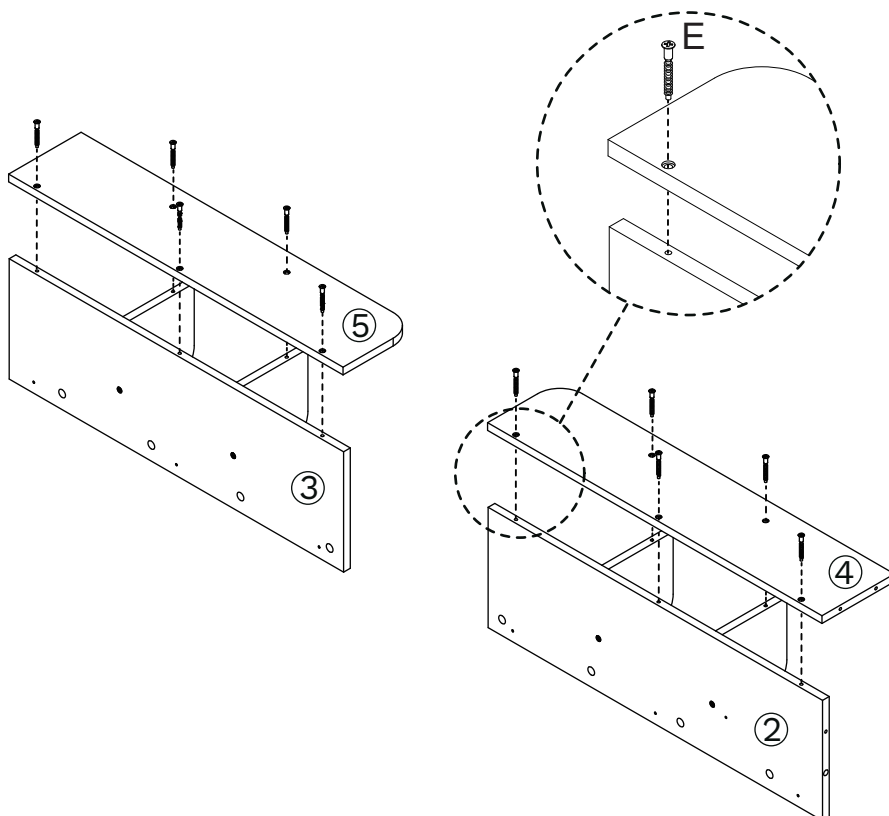
# STEP 2



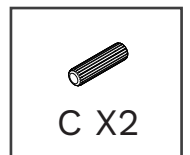
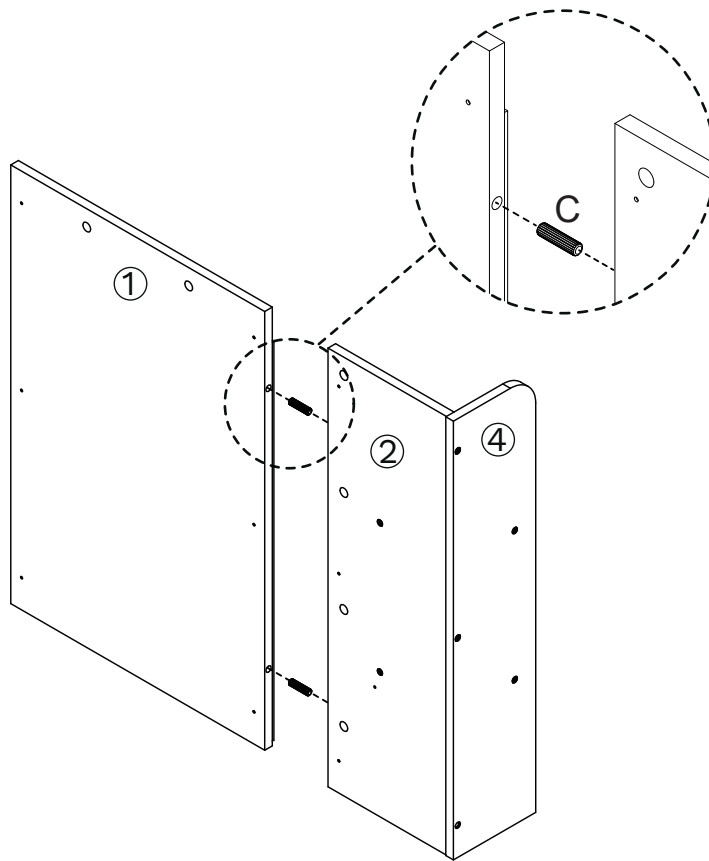
# STEP 3



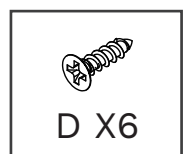
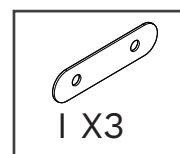
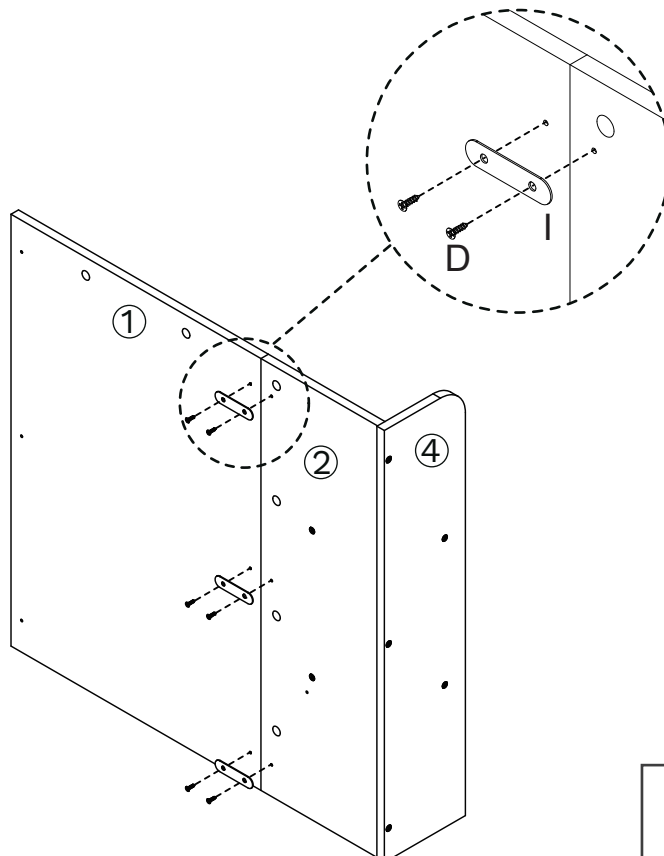
# STEP 4



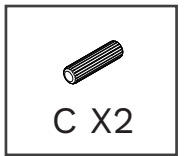
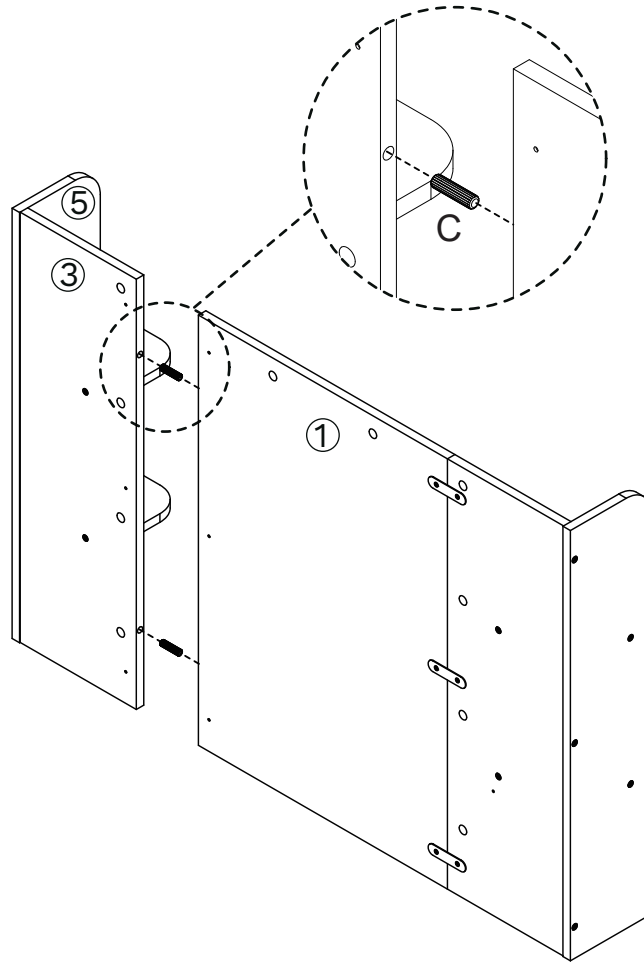
# STEP 5



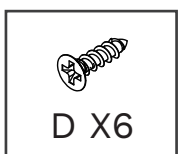
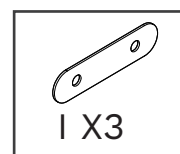
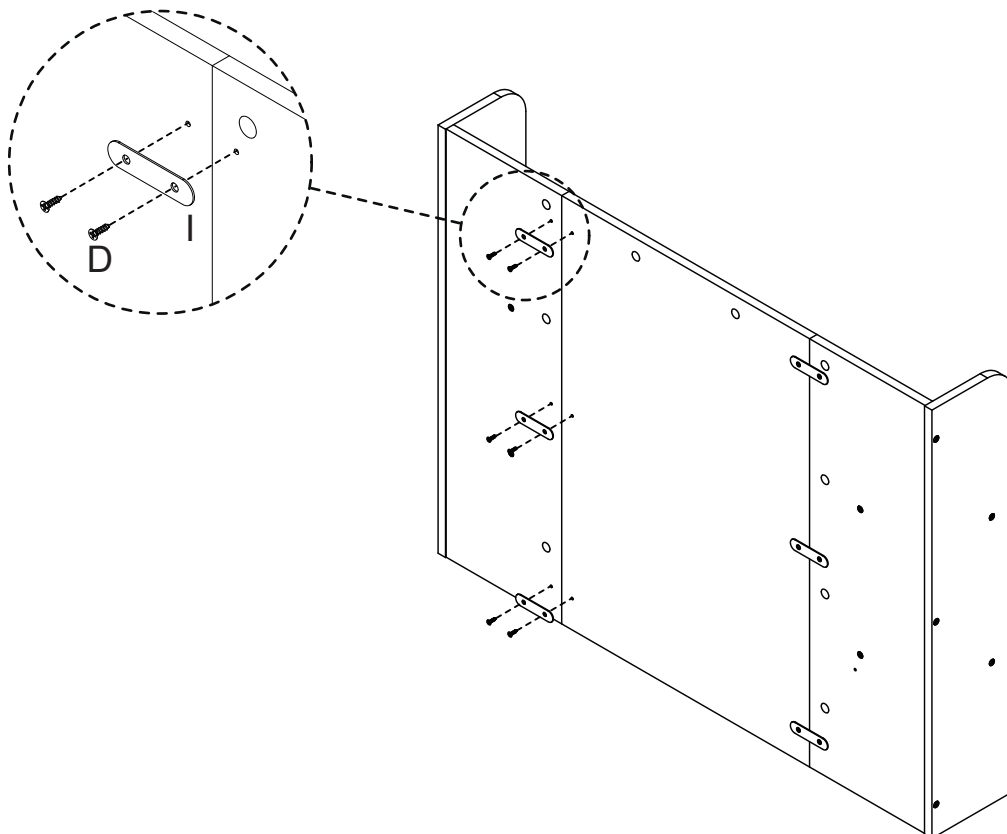
# STEP 6



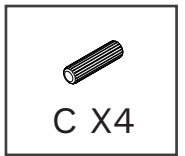
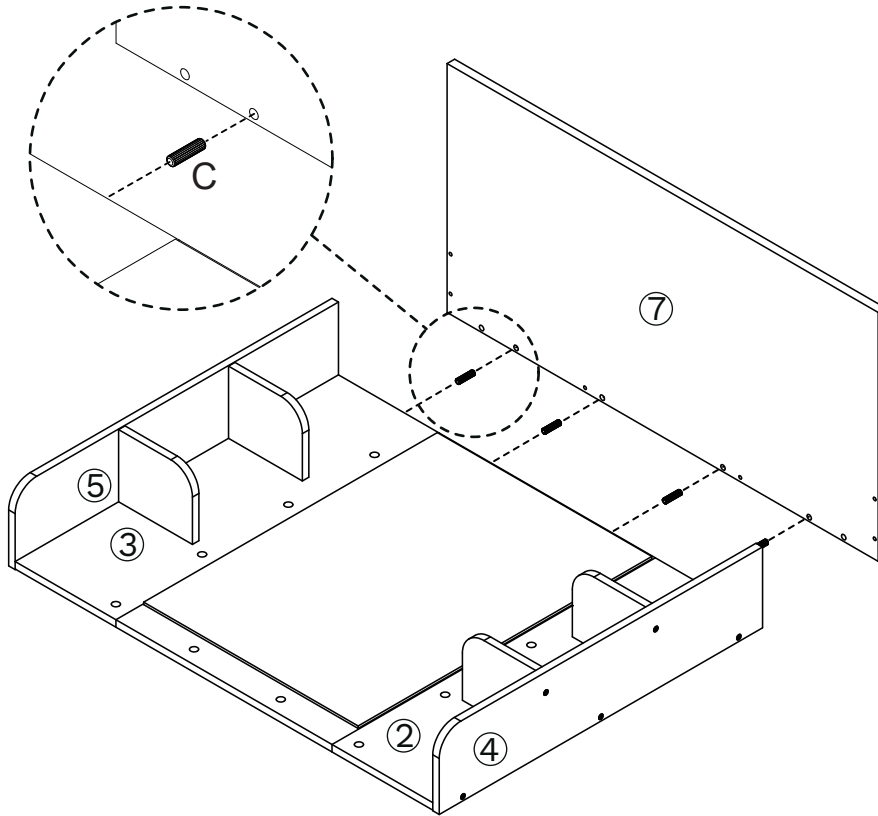
# STEP 7



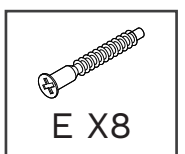
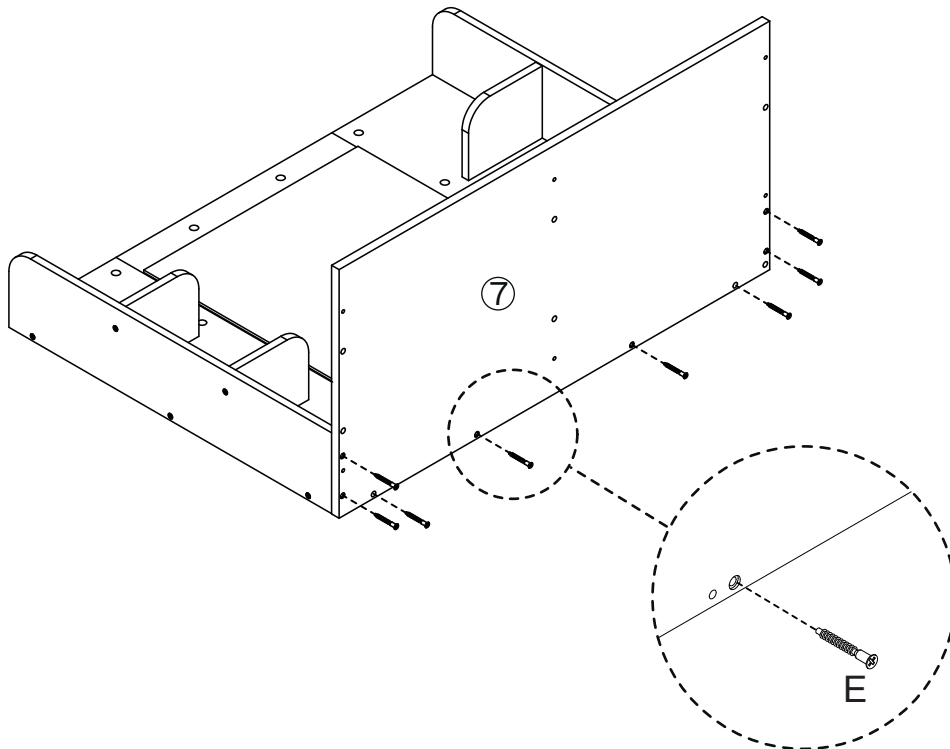
# STEP 8



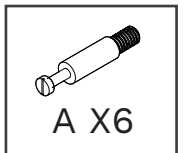
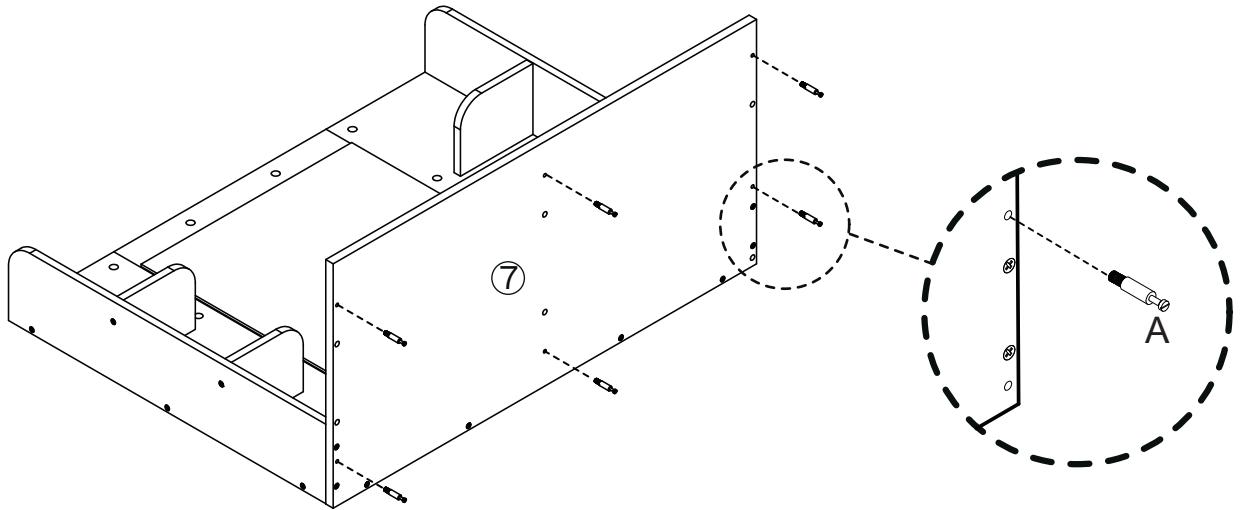
# STEP 9



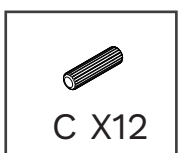
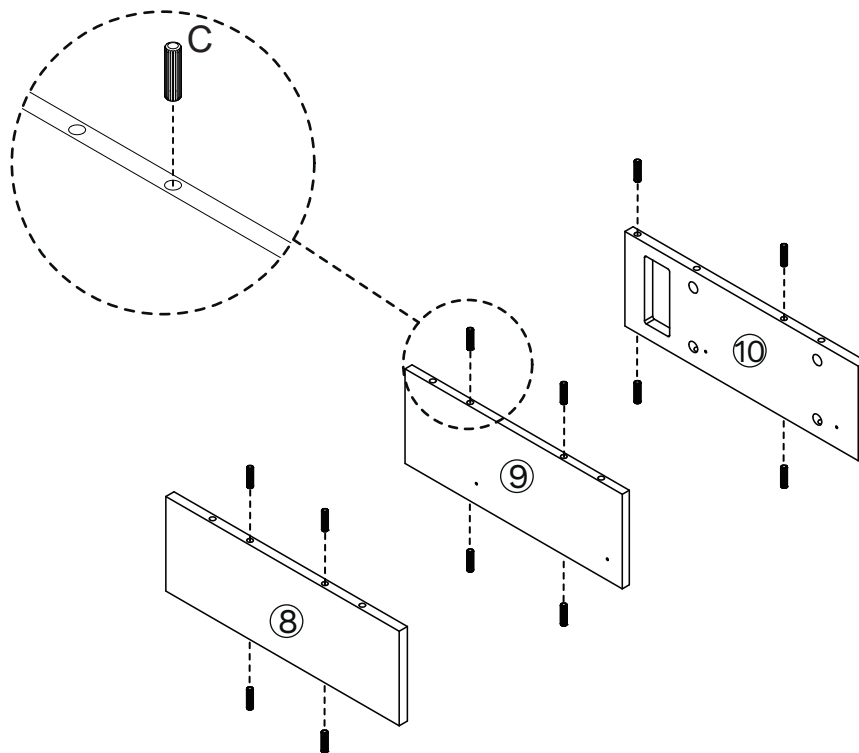
# STEP 10



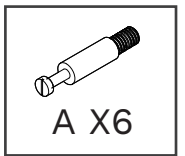
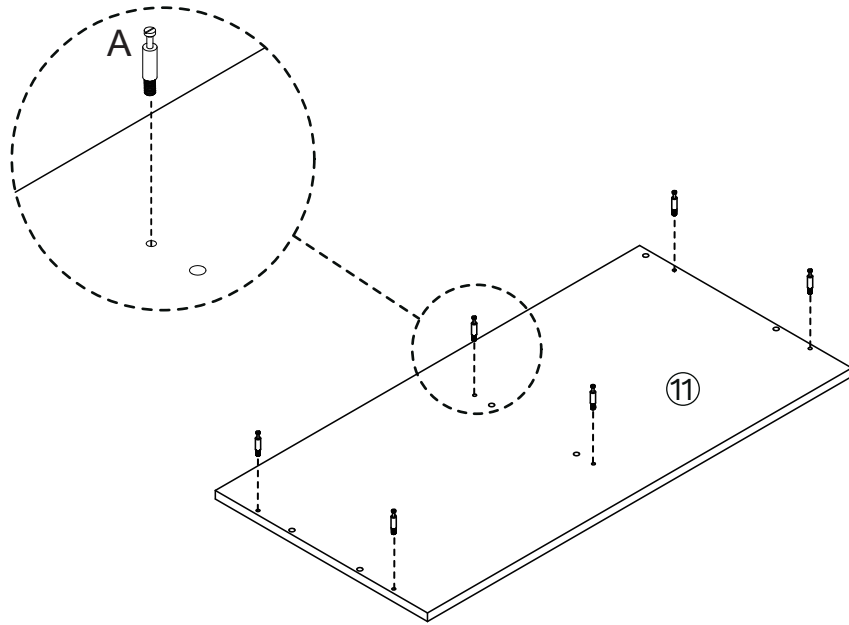
# STEP 11



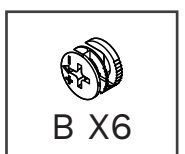
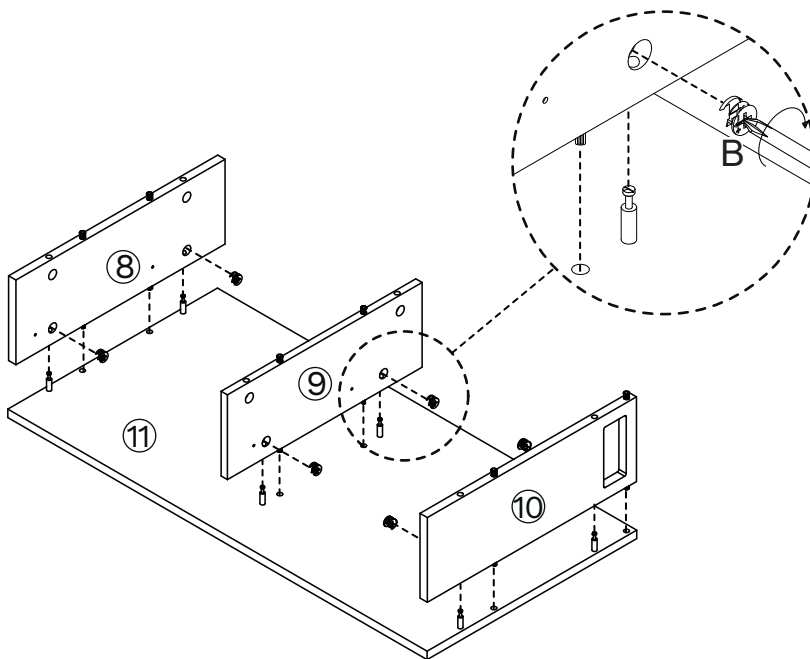
# STEP 12



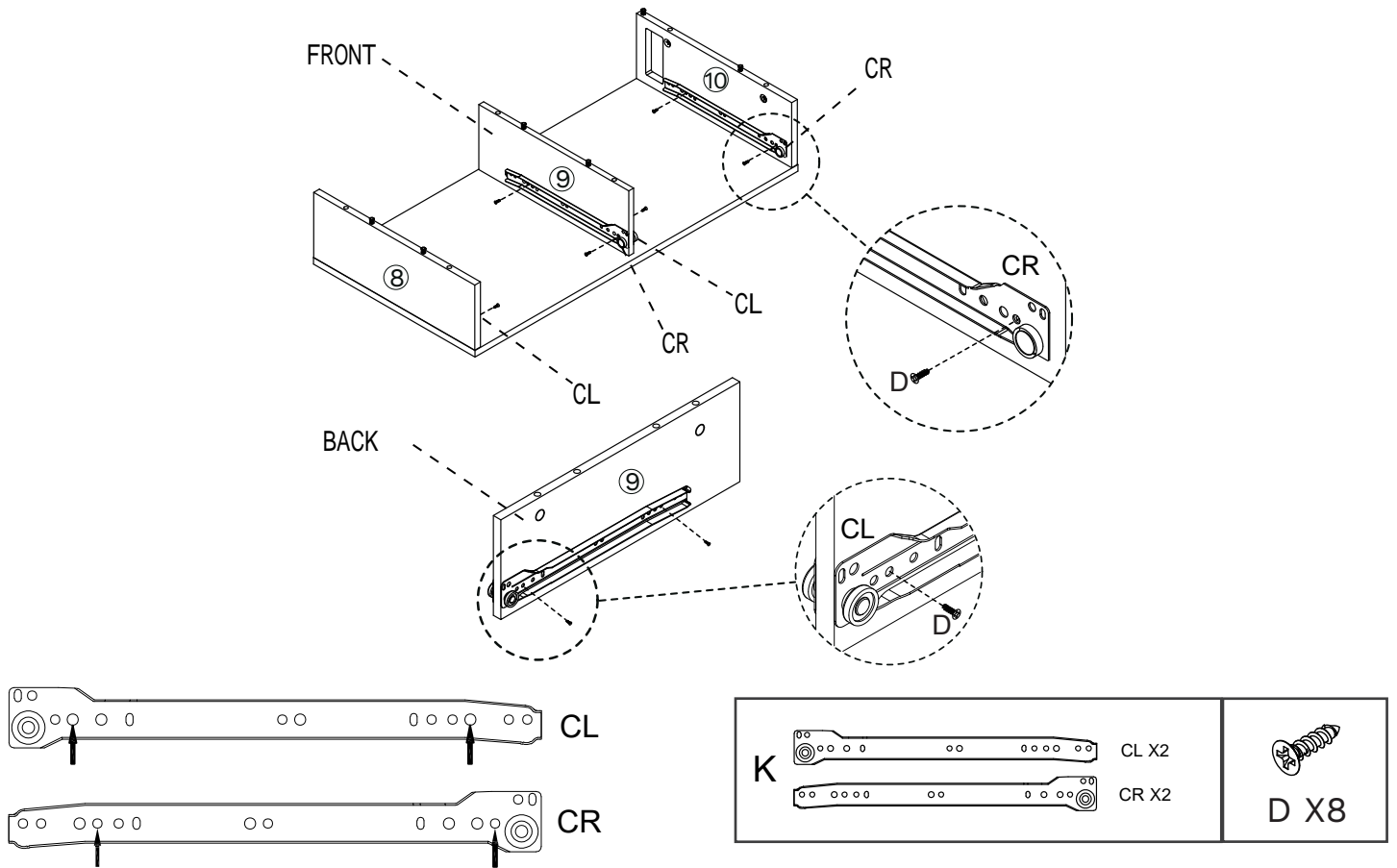
# STEP 13



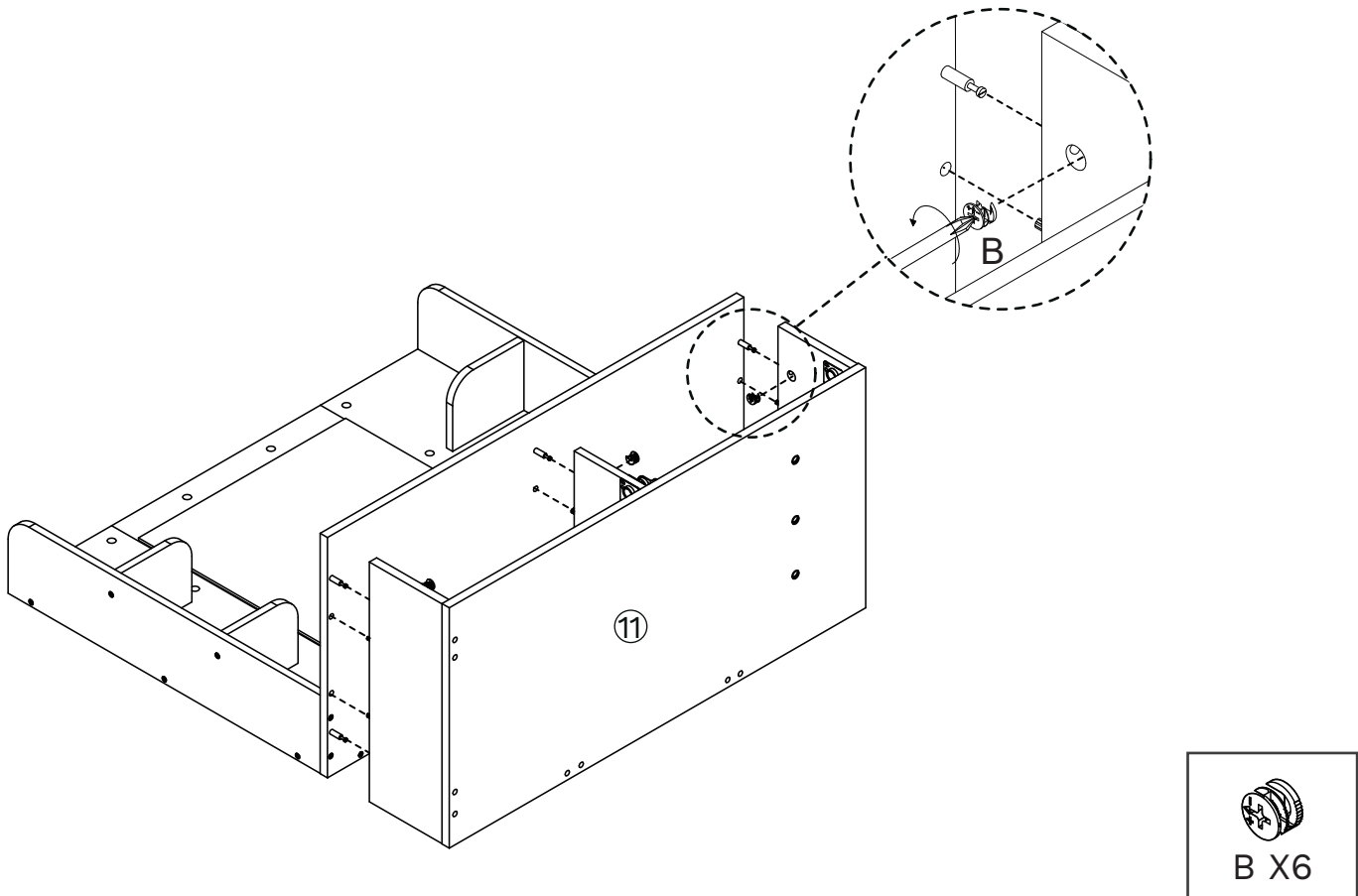
# STEP 14



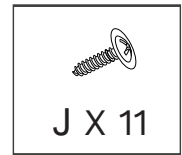
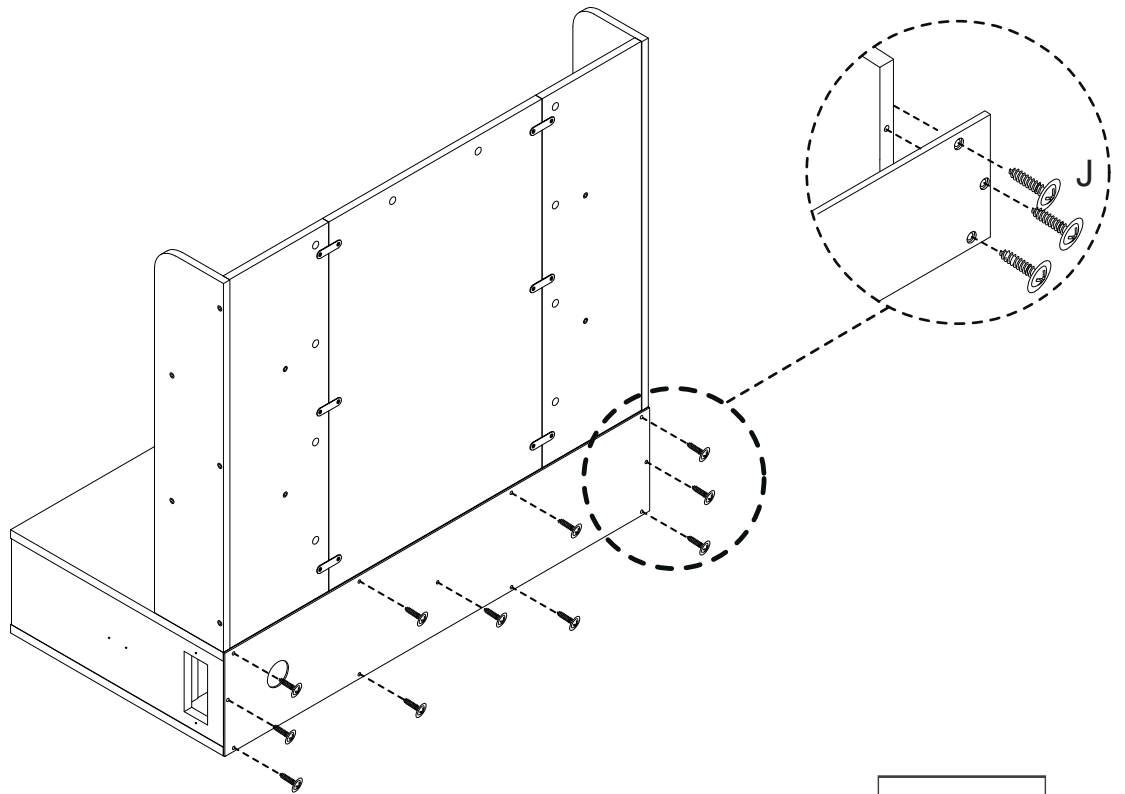
# STEP 15



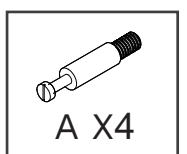
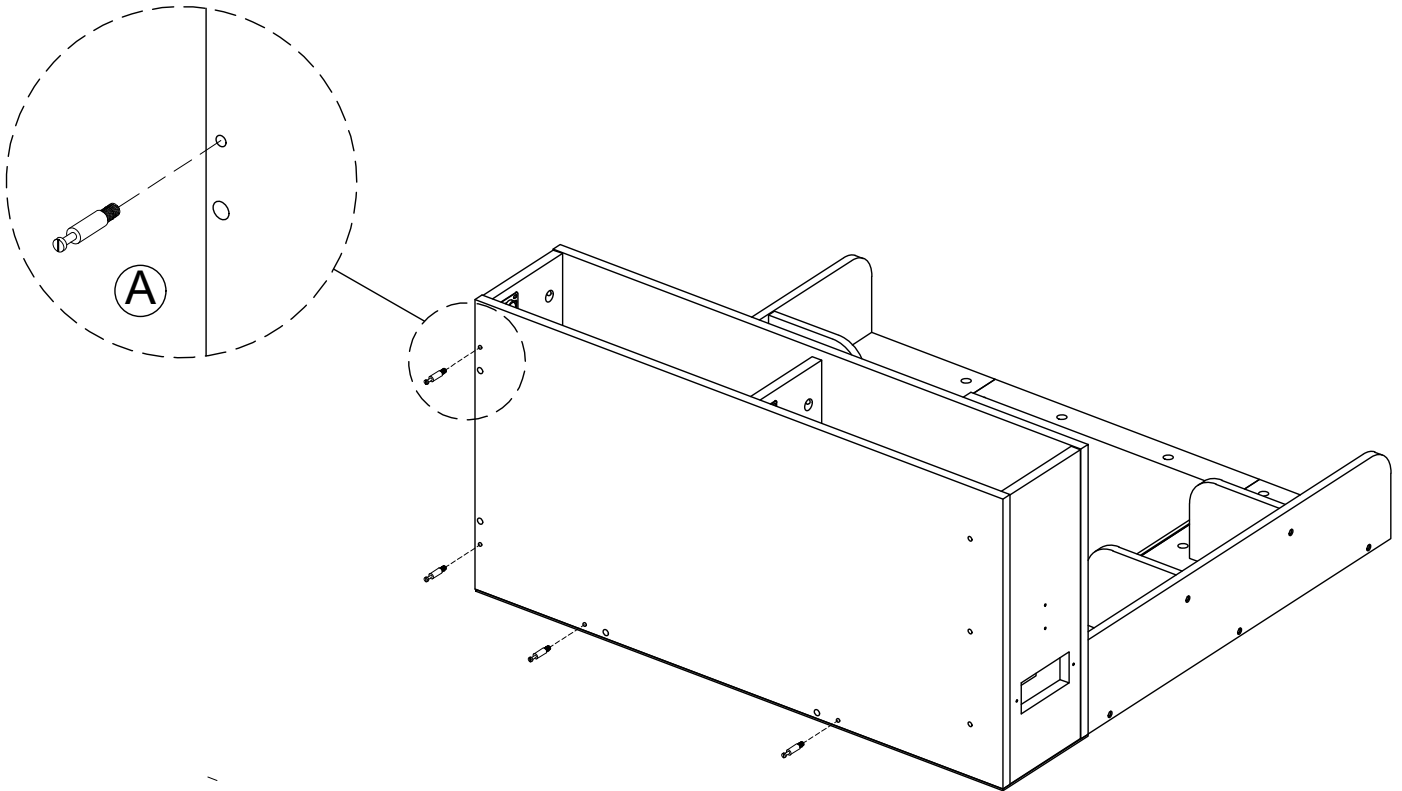
# STEP 16



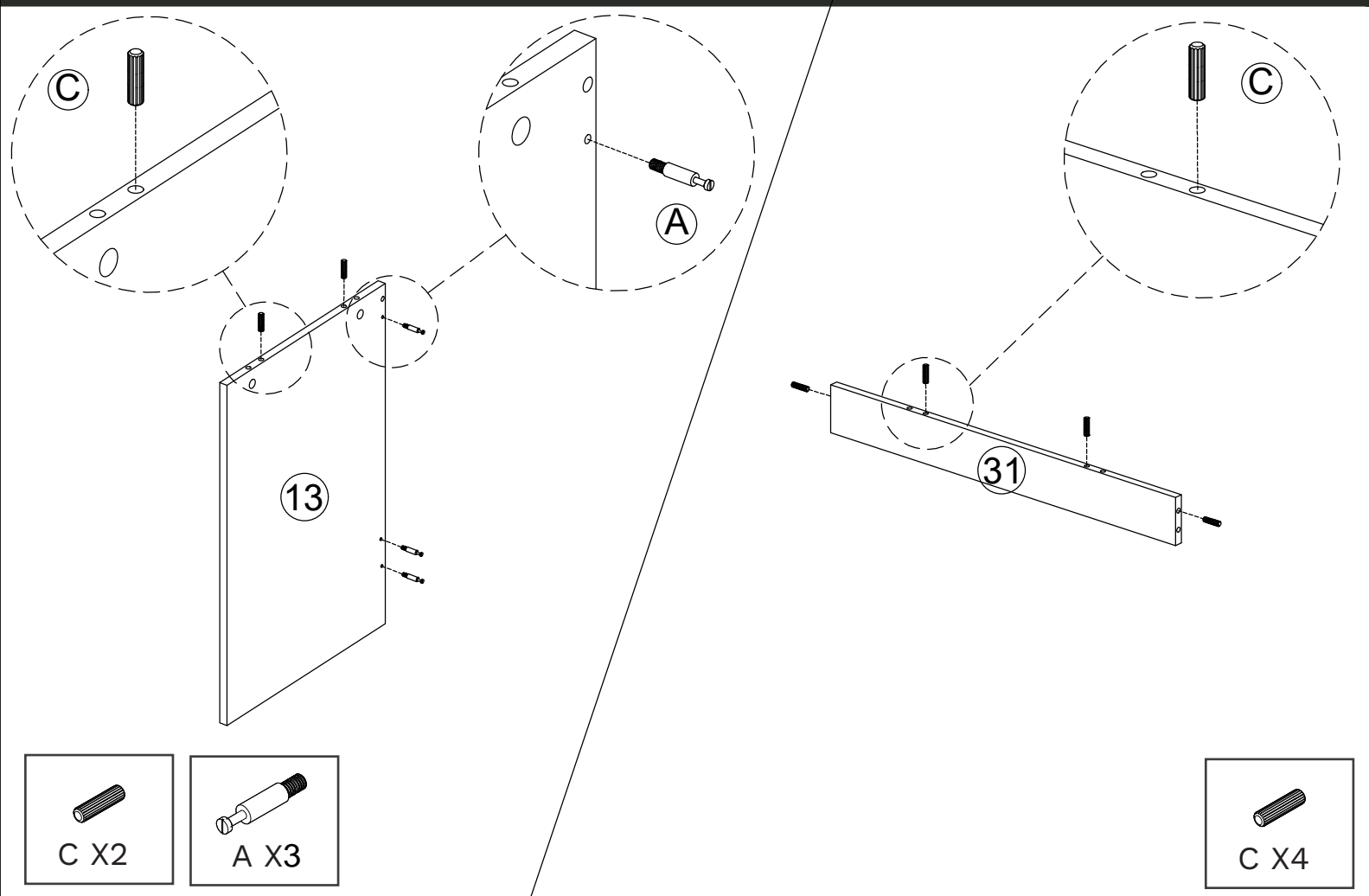
# STEP 17



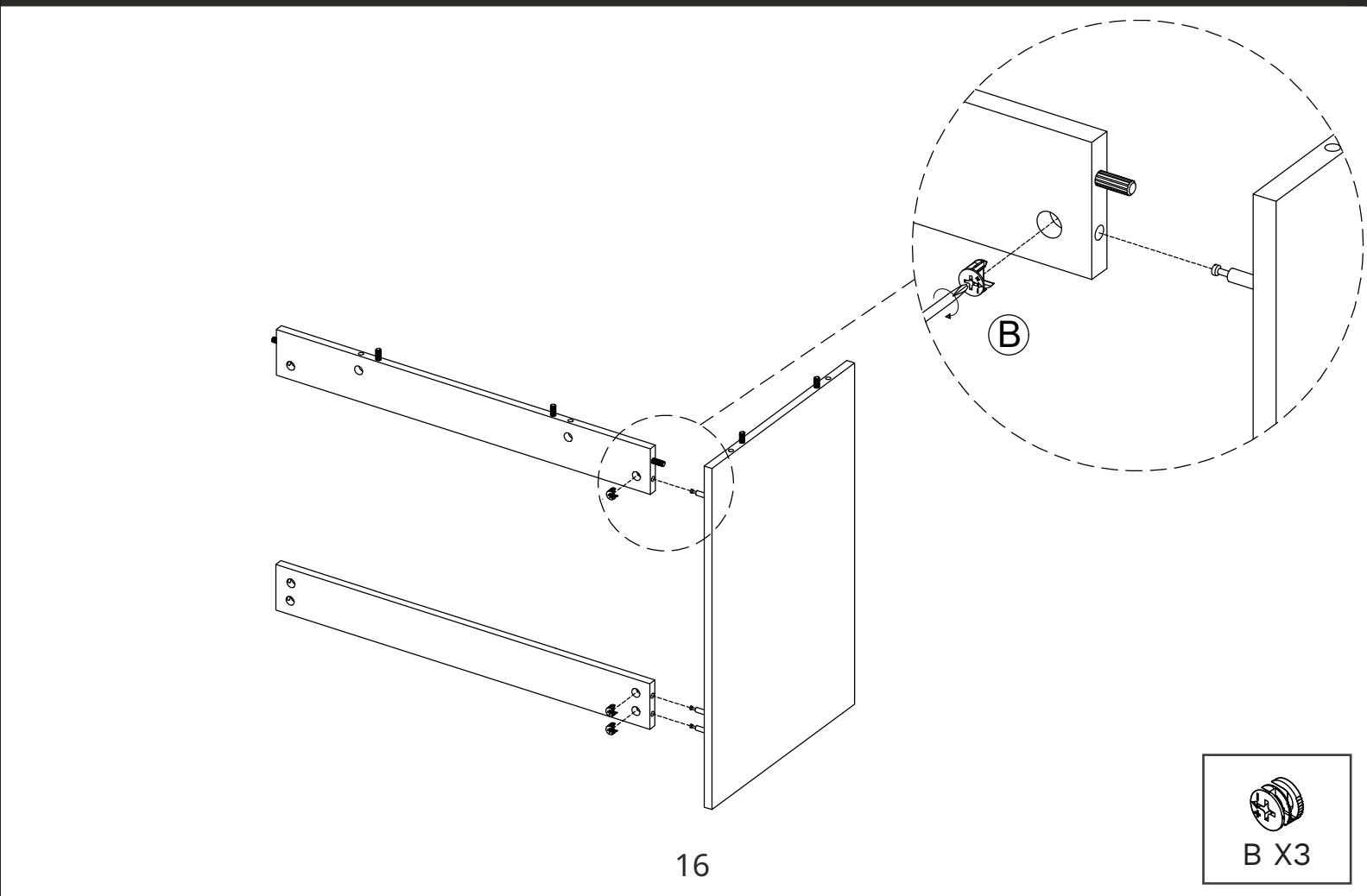
# STEP 18



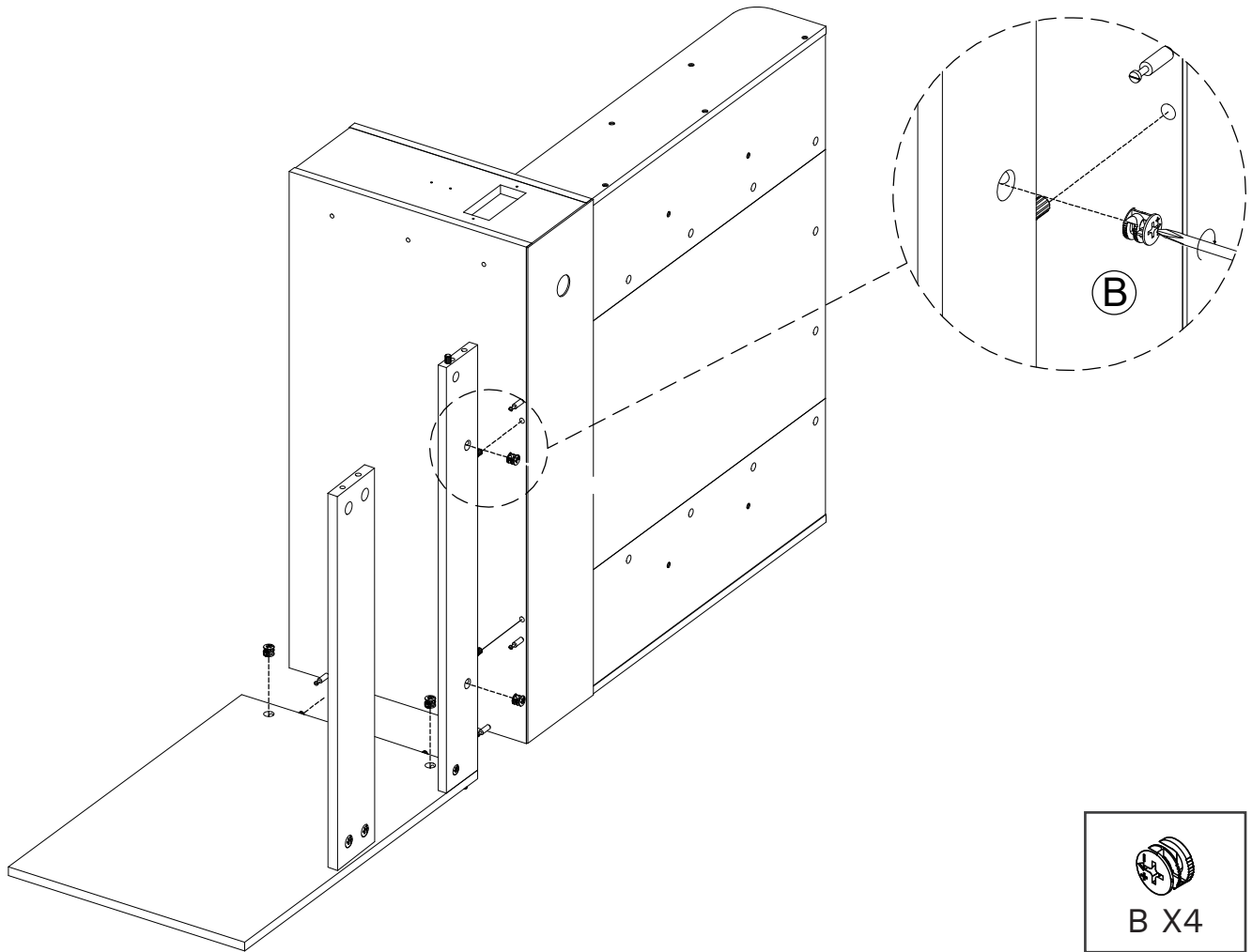
# STEP 19



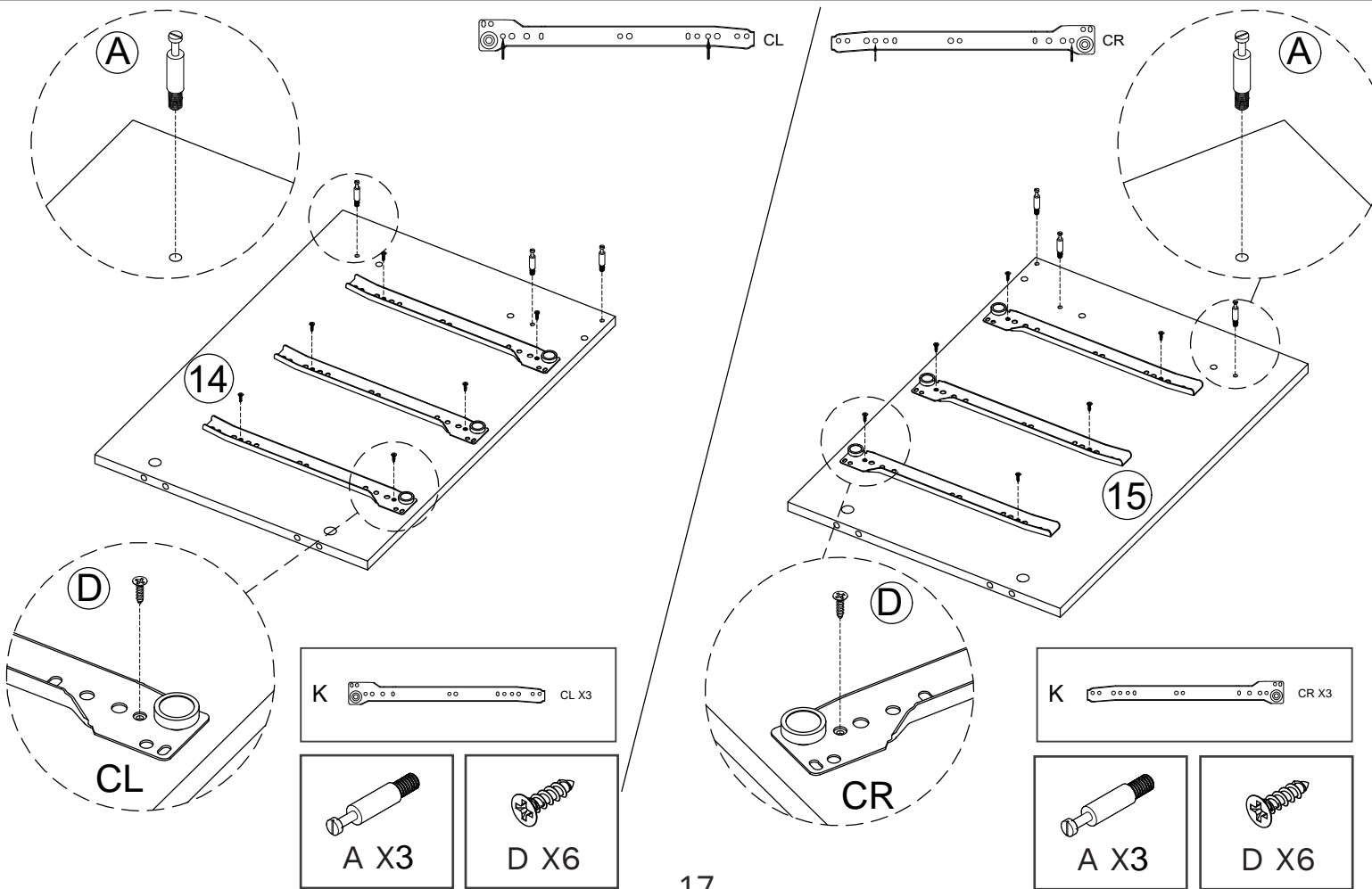
# STEP 20



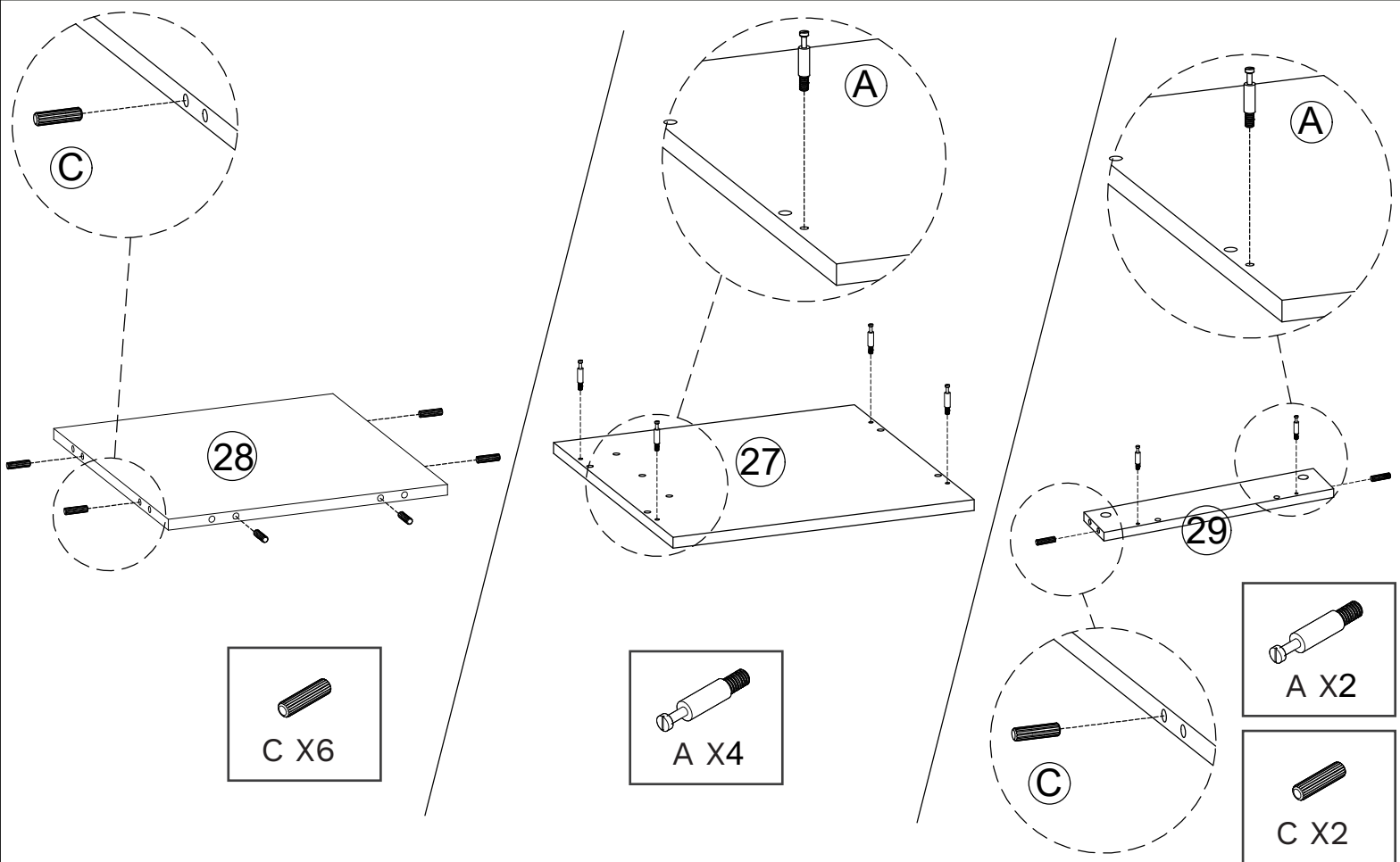
# STEP 21



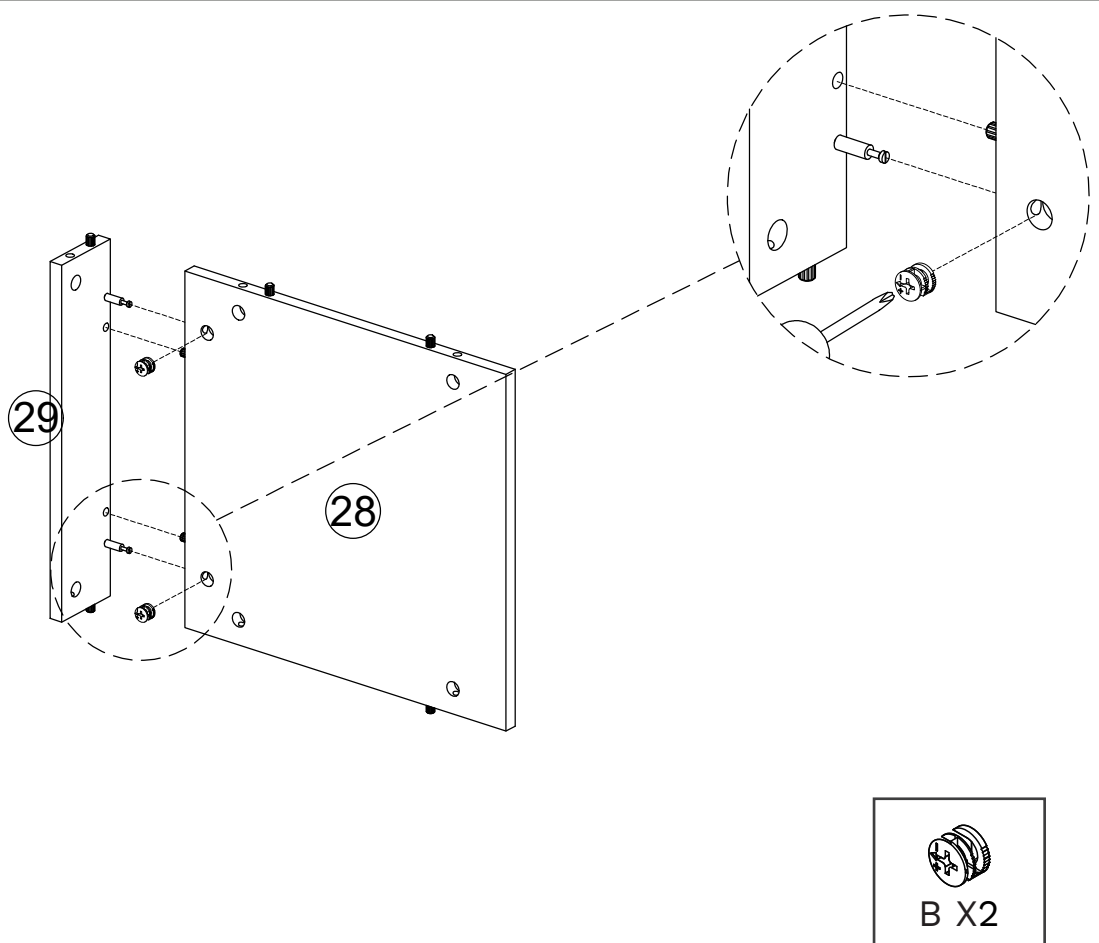
# STEP 22



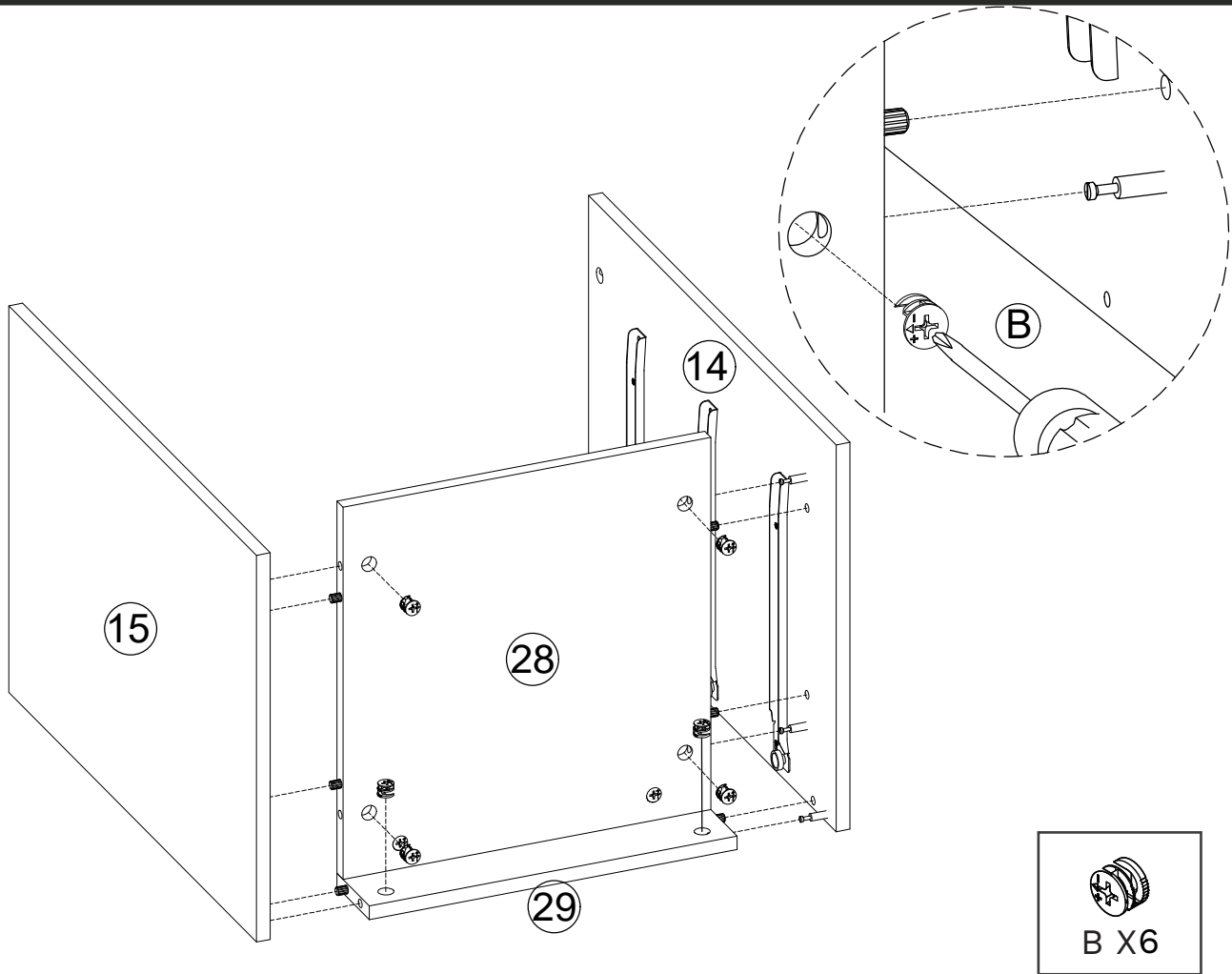
# STEP 23



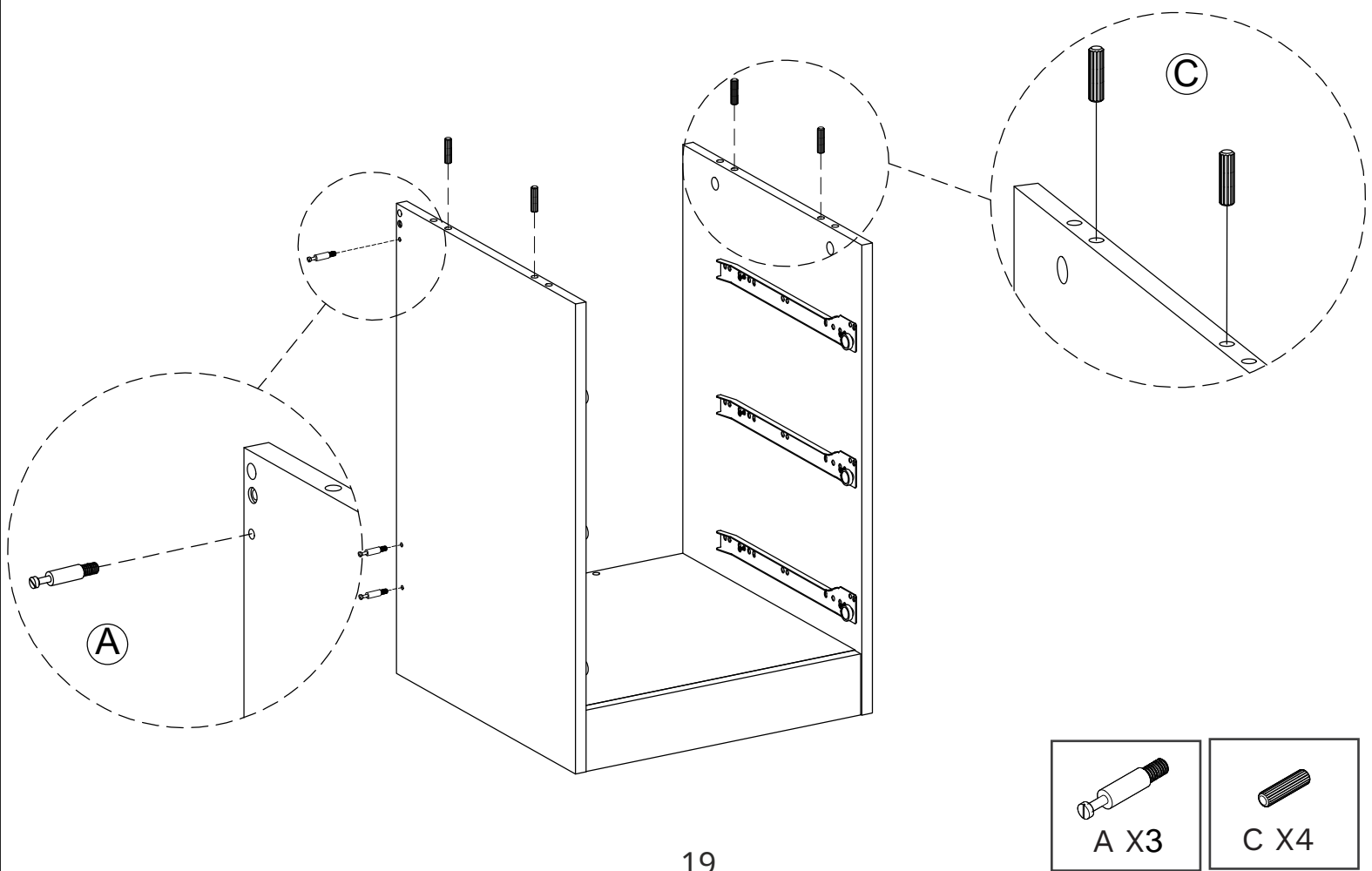
# STEP 24



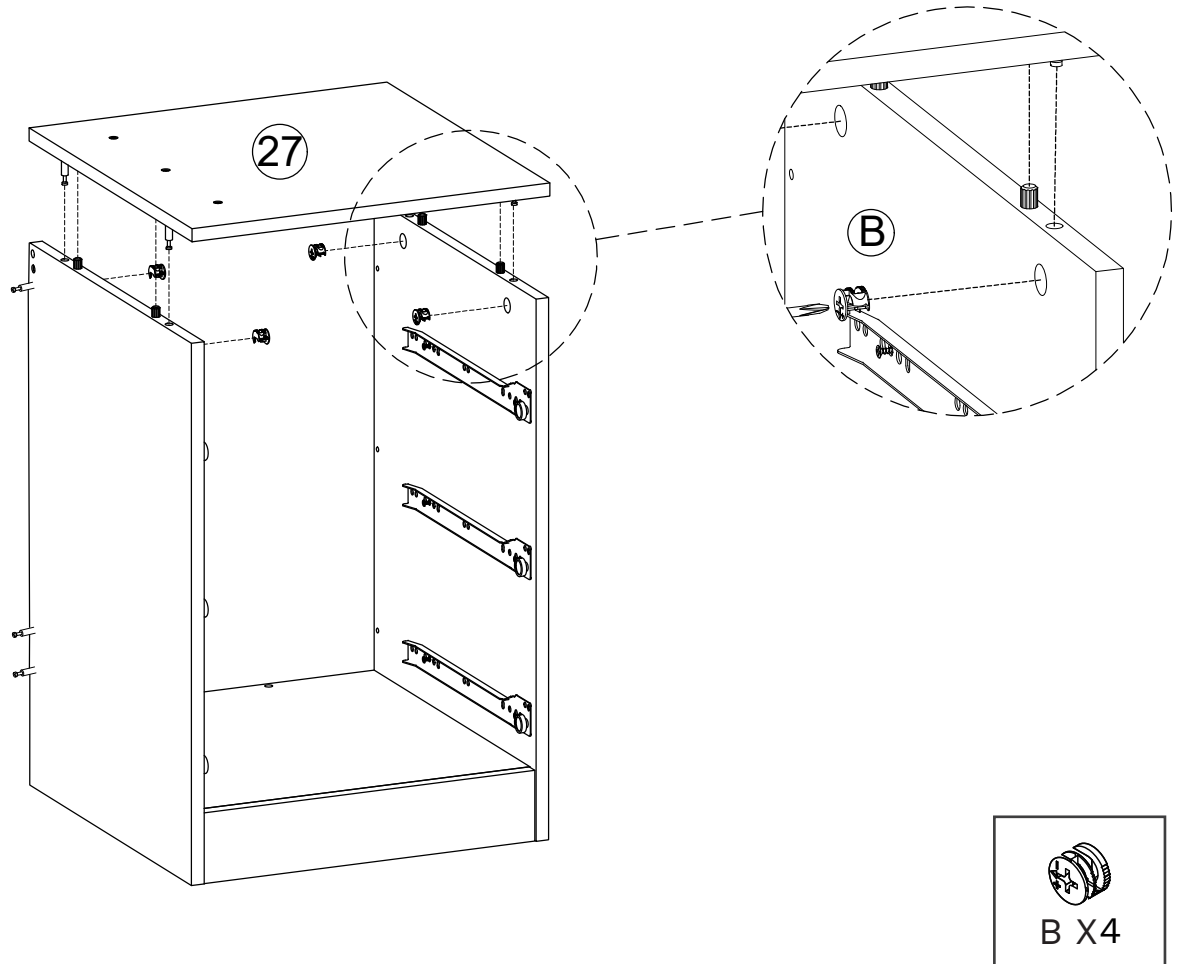
# STEP 25



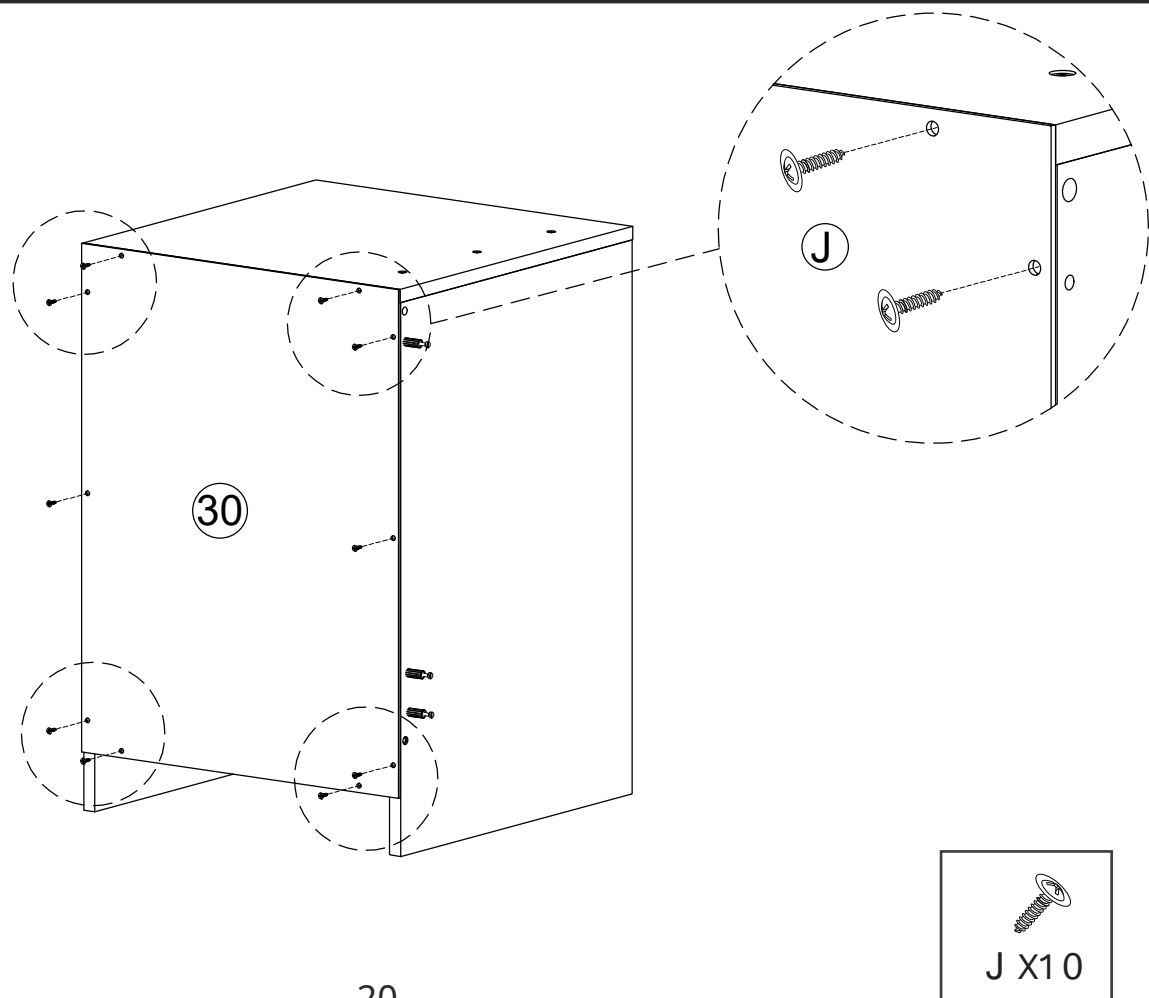
# STEP 26



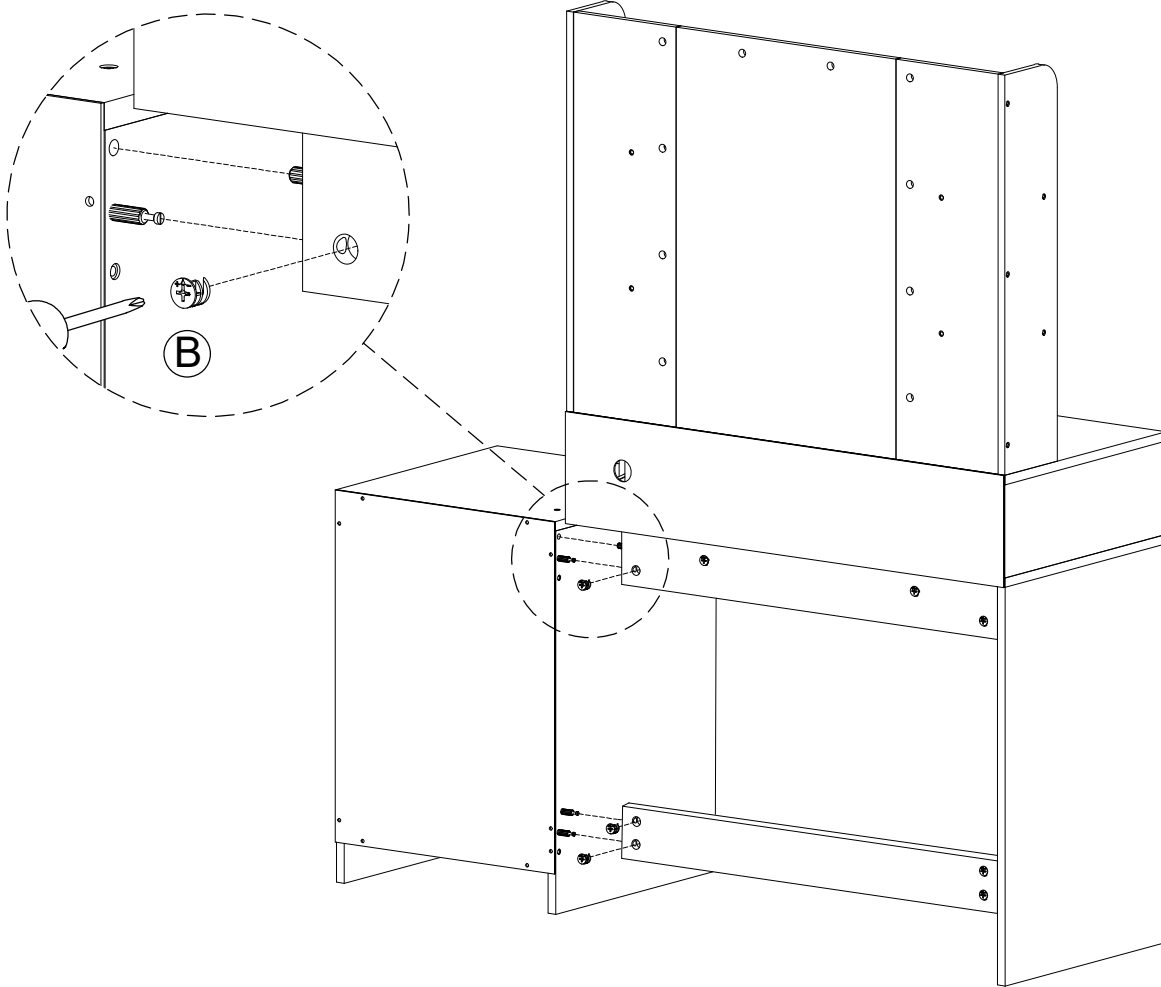
# STEP 27



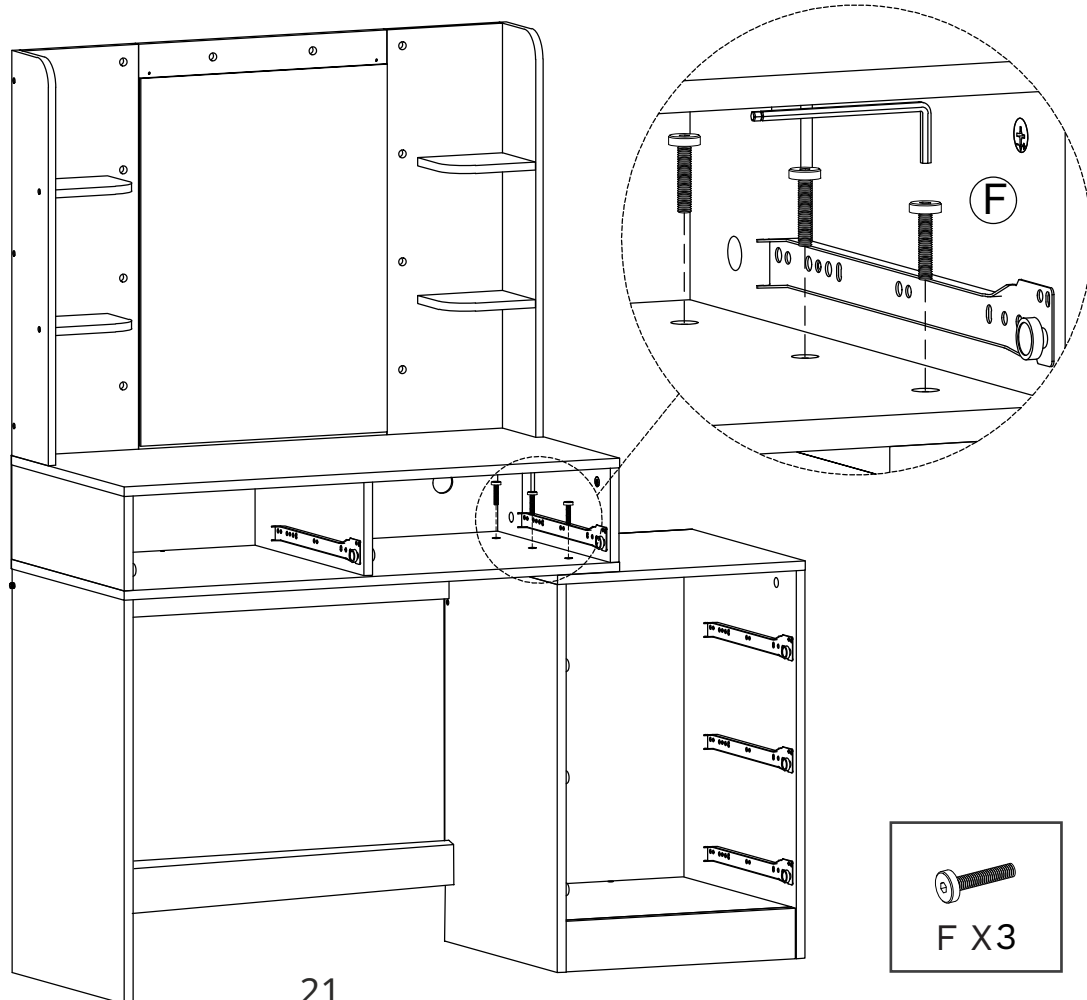
# STEP 28



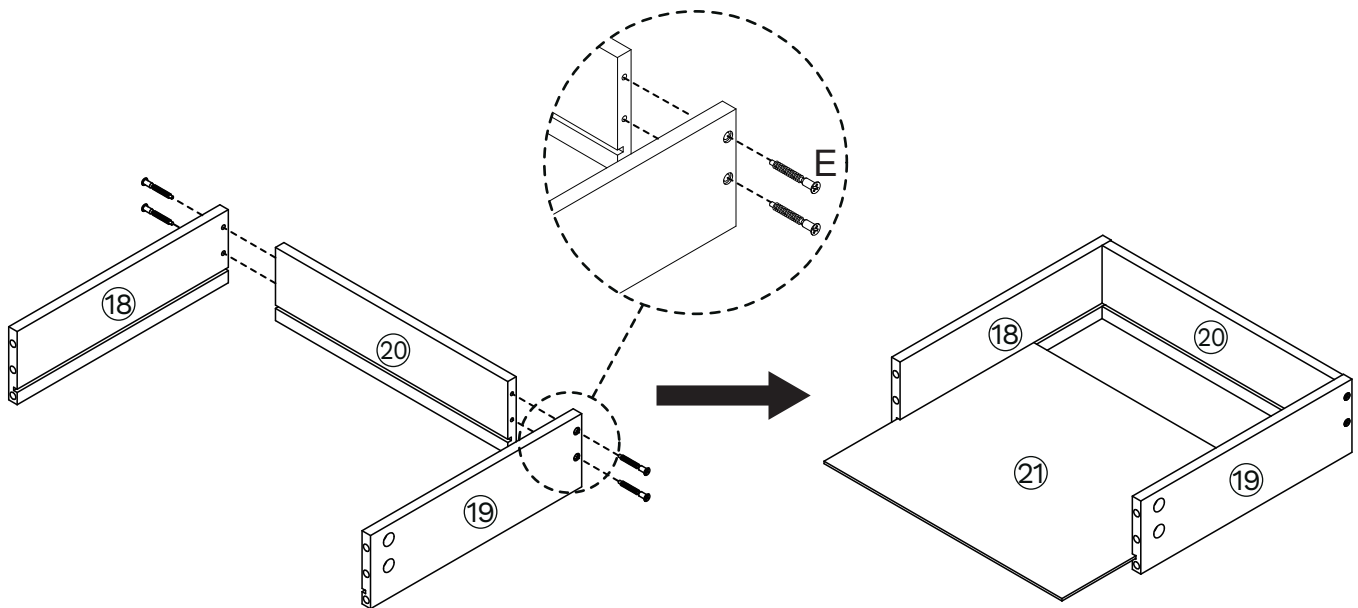
# STEP 29



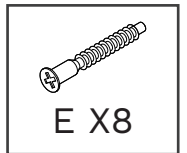
# STEP 30



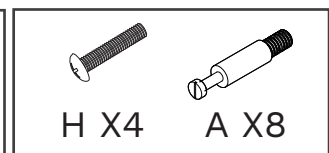
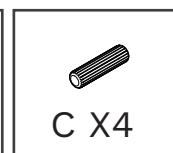
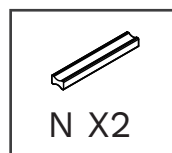
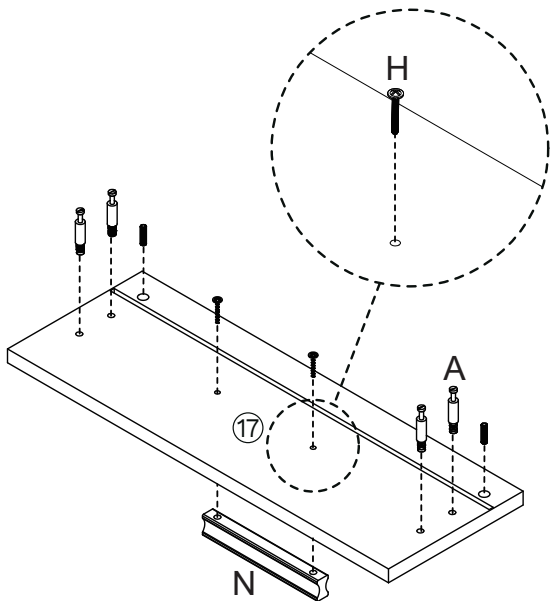
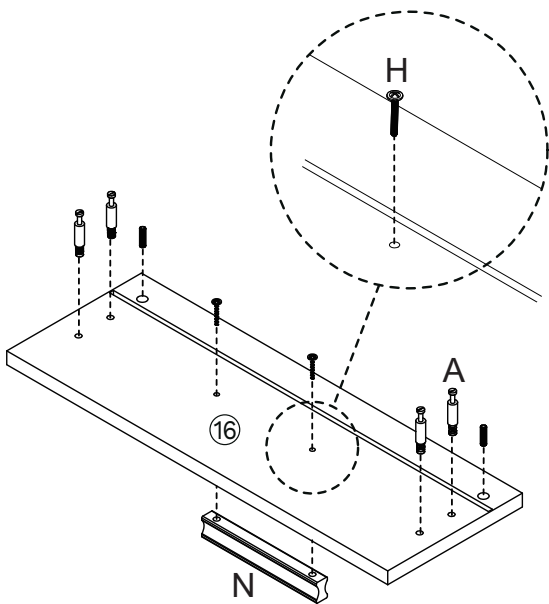
# STEP 31



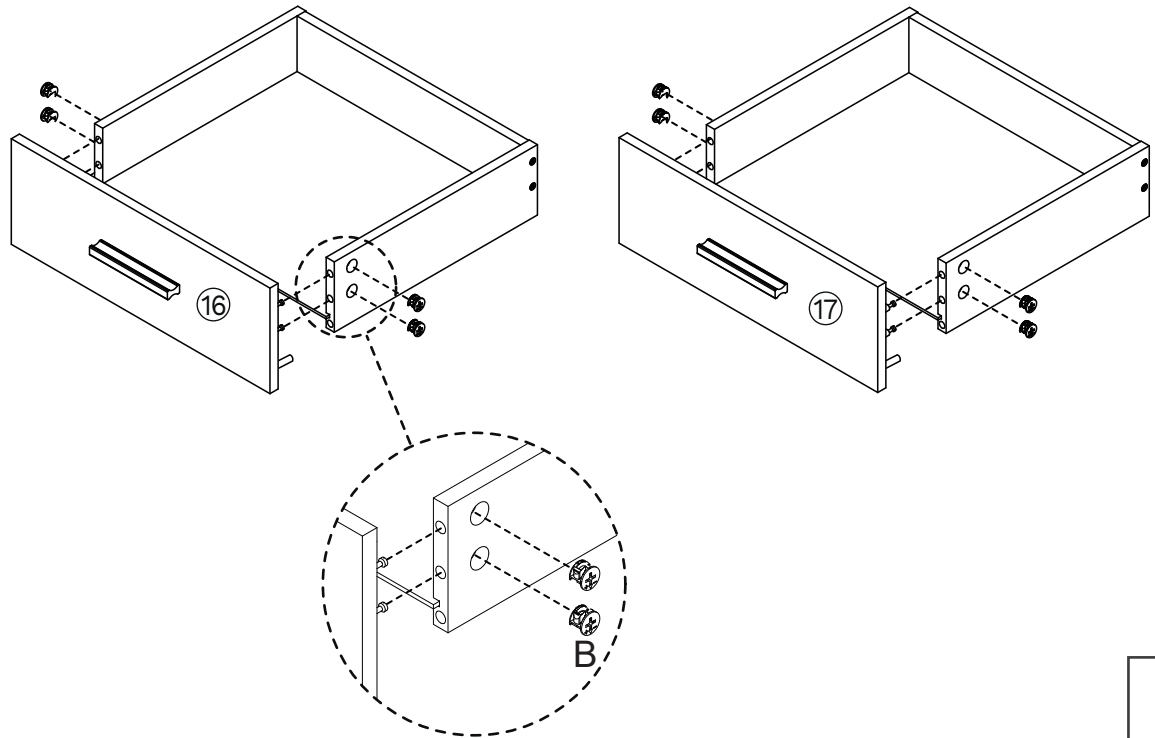
X2



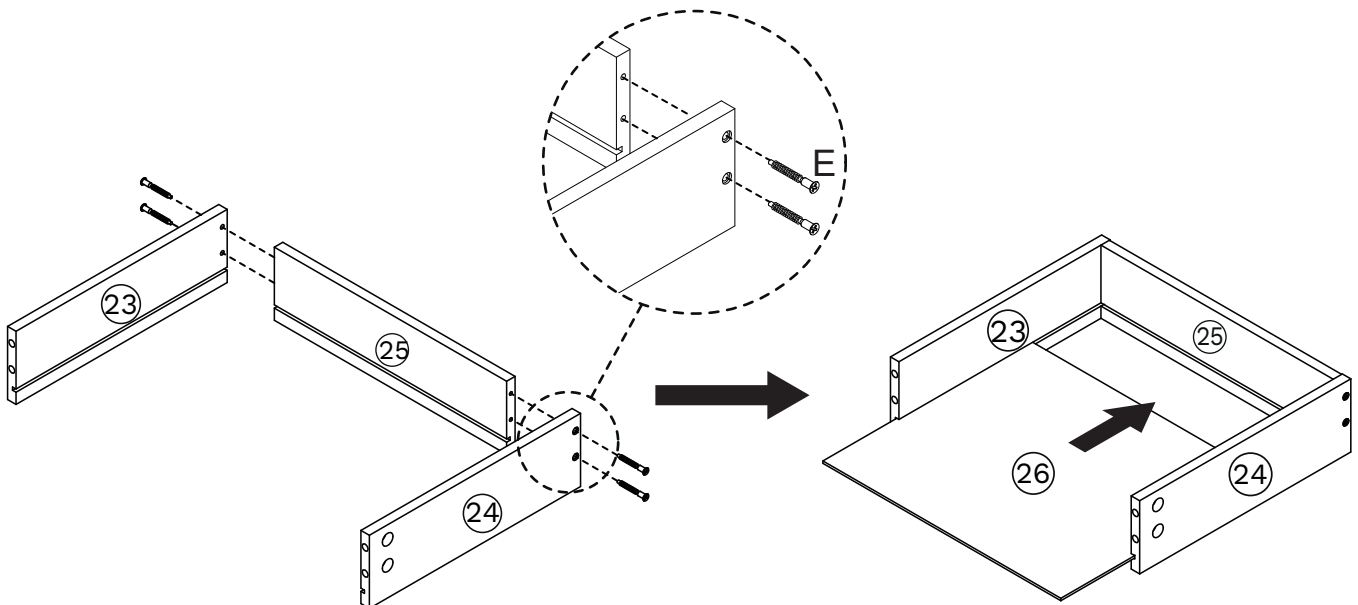
# STEP 32



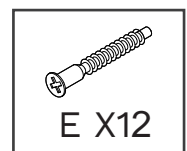
# STEP 33



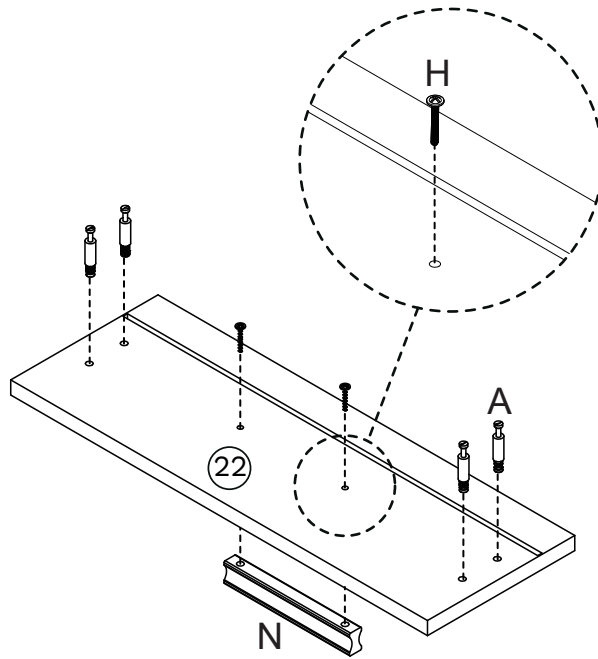
# STEP 34



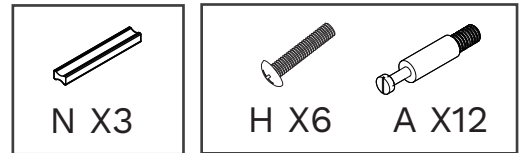
X3



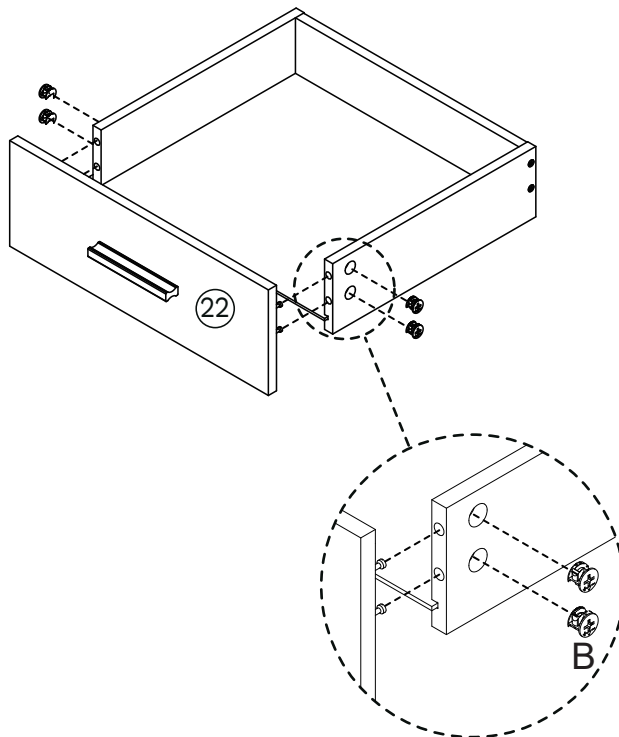
# STEP 35



# X3



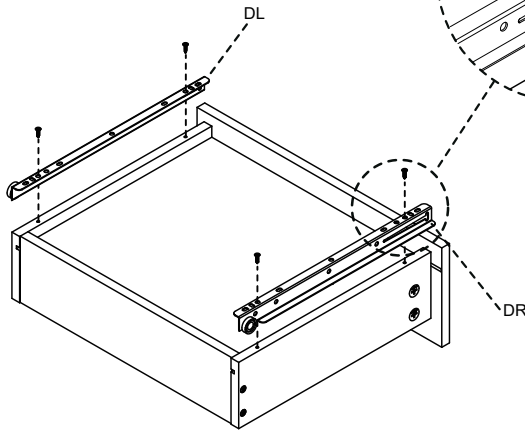
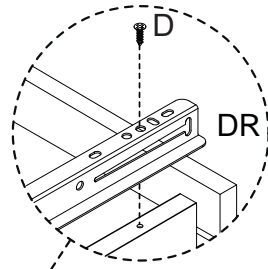
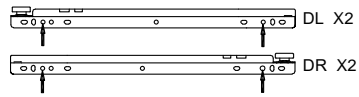
# STEP 36



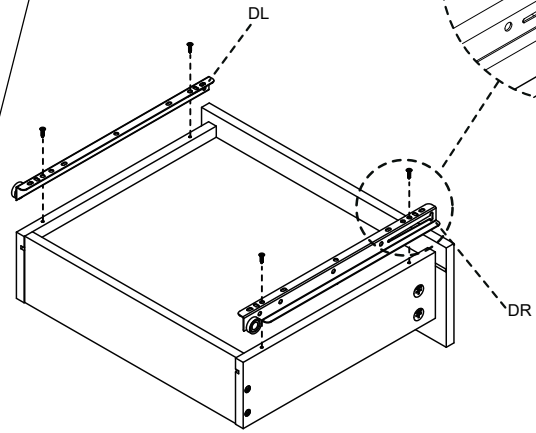
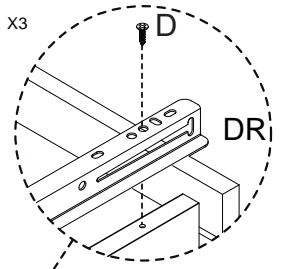
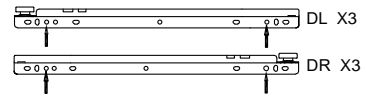
# X3



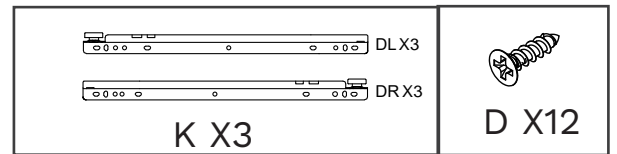
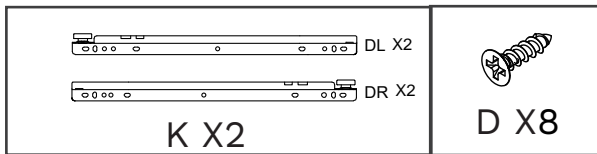
# STEP 37



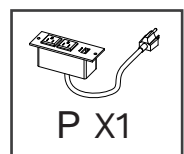
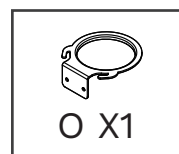
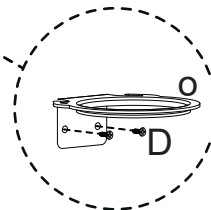
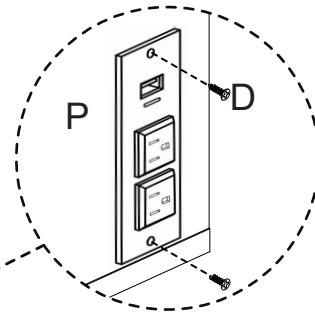
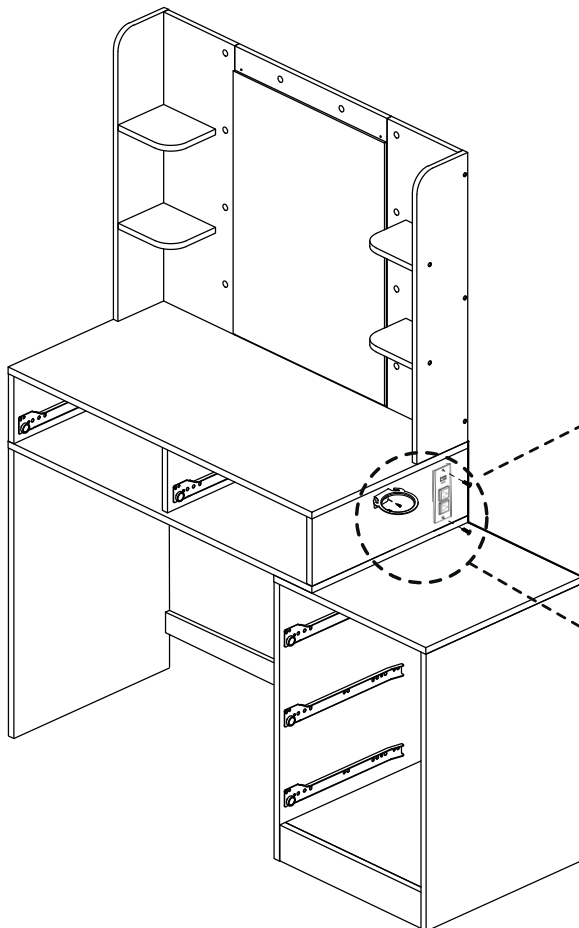
**X2**



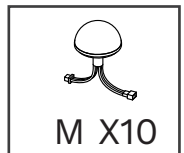
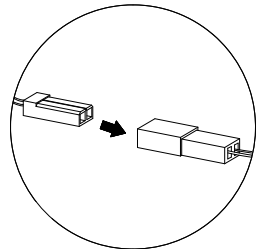
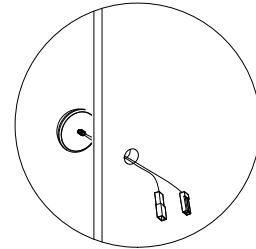
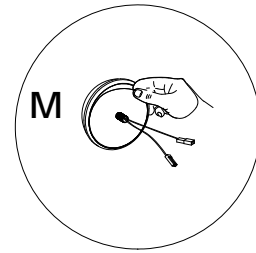
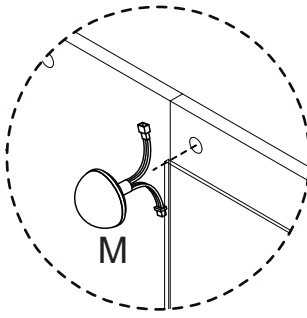
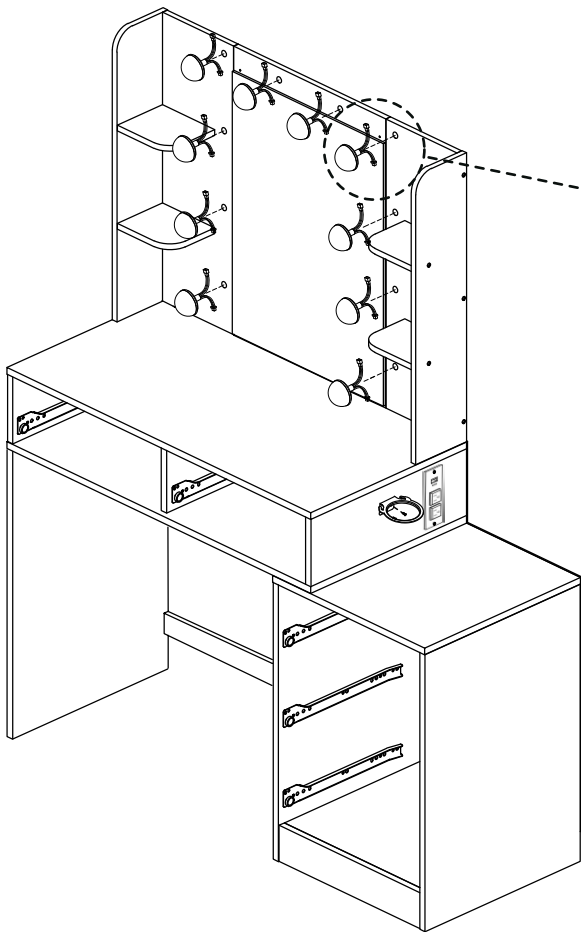
**X3**



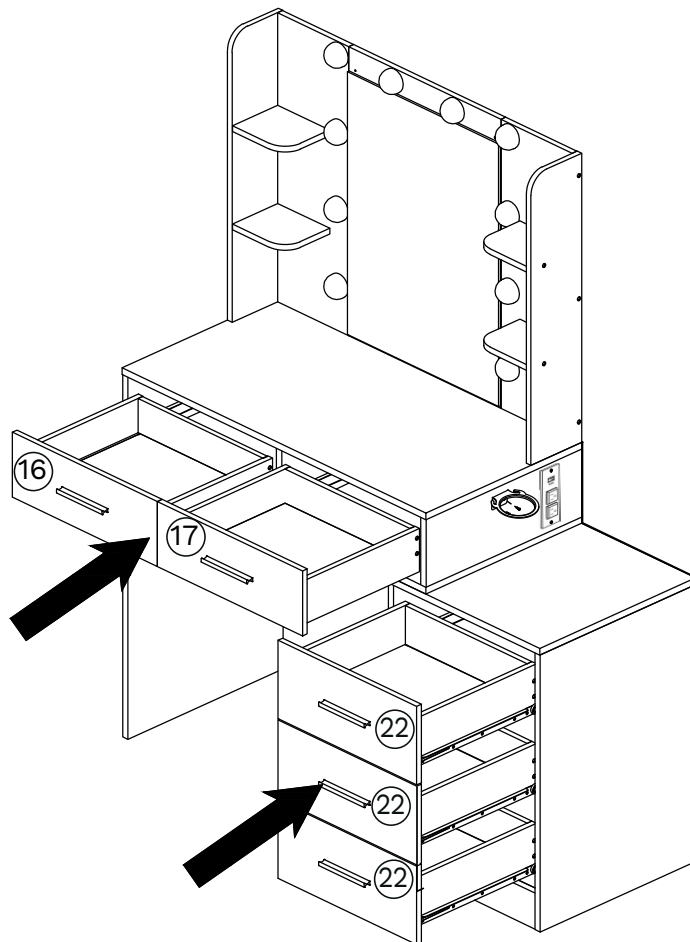
# STEP 38



# STEP 39

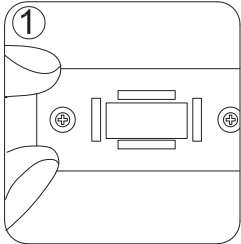


# STEP 40

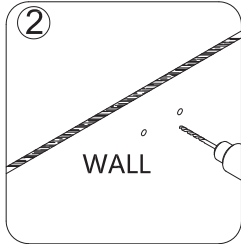


# STEP 41

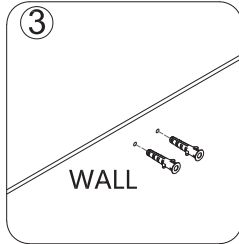
## Install the tipping restraint hardware



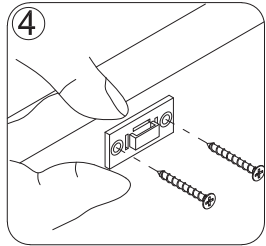
1. make mark on the wall



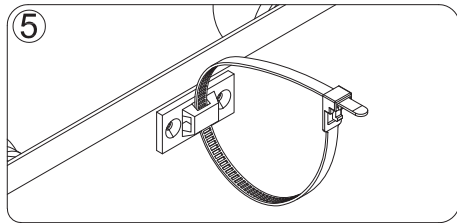
2. drill two Ø6 holes on the wall



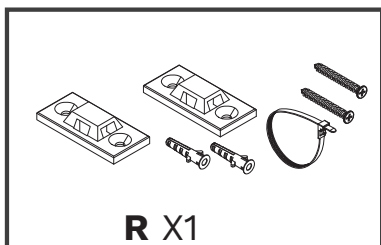
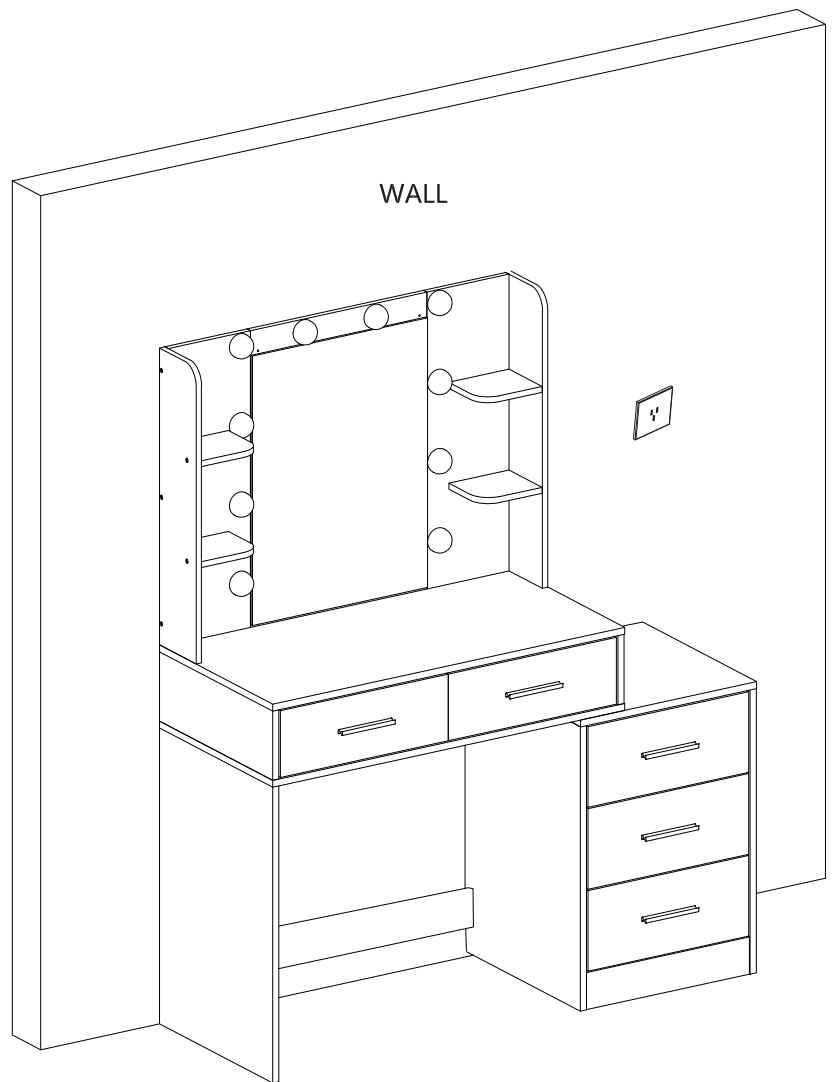
3. put two anchors in the holes



4. fix the device on the wall by the long screws



5. Push the cabinet close to the wall so that the two bases are close to each other, and then put on nylon tie to tighten it.



R X1

# FURNITURE CARE AND MAINTENANCE

Medium - Density Fiberboard and PB

Thank you for your purchase. We want your item to last as long as possible. To ensure the product gives you years of service, please refer to this care and maintenance guide.



## MAINTENANCE

- Tighten all bolts and screws again within the first 2 weeks of assembly
- Check the tightness of all bolts every 2 months, tighten them if necessary



## CLEANING

- Clean the surface of the MDF (medium - density fiberboard) or PB with a lightly dampened cloth.
- Small amount of mild soap can be used if necessary
- Dry the surface immediately after cleaning.
- ▲ DO NOT use bleach or alcohol detergent to clean the surface.
- ▲ DO NOT apply wood treatment on parts made with MDF and PB.

Medium - density fiberboard and PB will swell and distort when suffer from water damage.

Make sure to dry the furniture immediately after cleaning