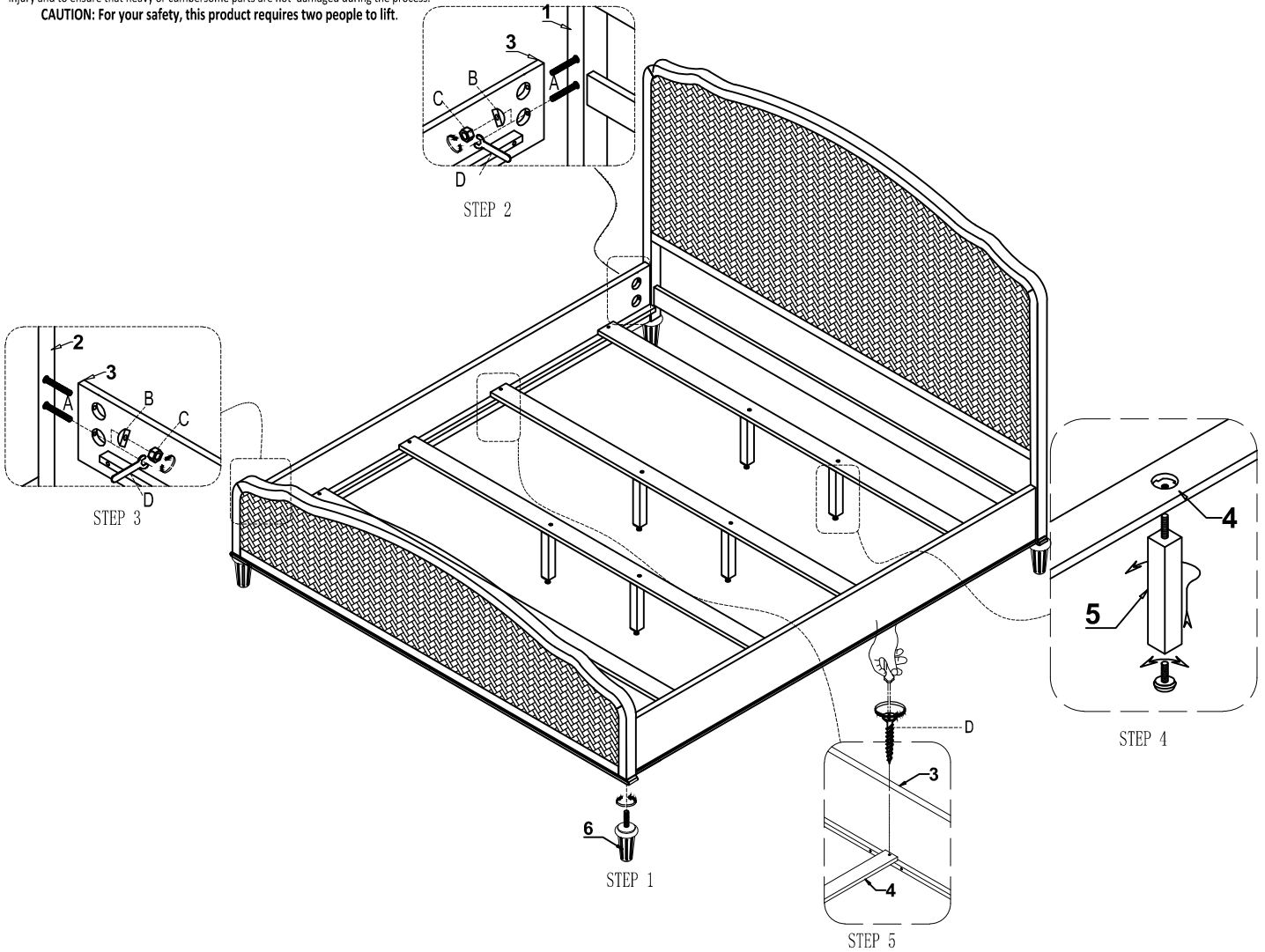


ASSEMBLY INSTRUCTION

Thank you for purchasing this quality product. Be sure to check all packing materials carefully for small parts that may have come loose inside the carton during shipment.
Before you Assemble : Please read all instructions carefully before beginning the assembly process. It is recommended that 2 people work together during assembly to prevent personal injury and to ensure that heavy or cumbersome parts are not damaged during the process.
CAUTION: For your safety, this product requires two people to lift.



PART LIST/ LISTE DE PIECES			
1		UPHOLSTERED HEADBOARD 6/6 E KING	1PC
2		UPHOLSTERED FOOTBOARD 6/6 E KING	1PC
3		SIDE RAIL	2PCS
4		SLAT	4PCS
5		SUPPORT LEG	8PCS
6		LEG	4PCS

HARDWARE LIST/ LISTE DE QUINCAILLERIE			
A		BOLT Ø5/16" x 3 1/2"	8PCS
B		"C" WASHER / RONDELLE	8PCS
C		HEX NUT Ø5/16"x12mm	8PCS
D		OPEN WRENCH 12mm	1PC
E		WOOD SCREW #8 x 25mm	8PCS