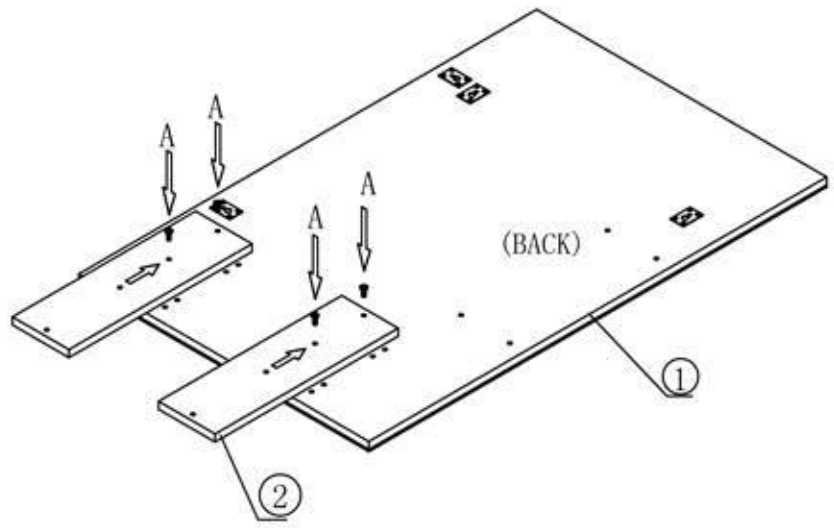


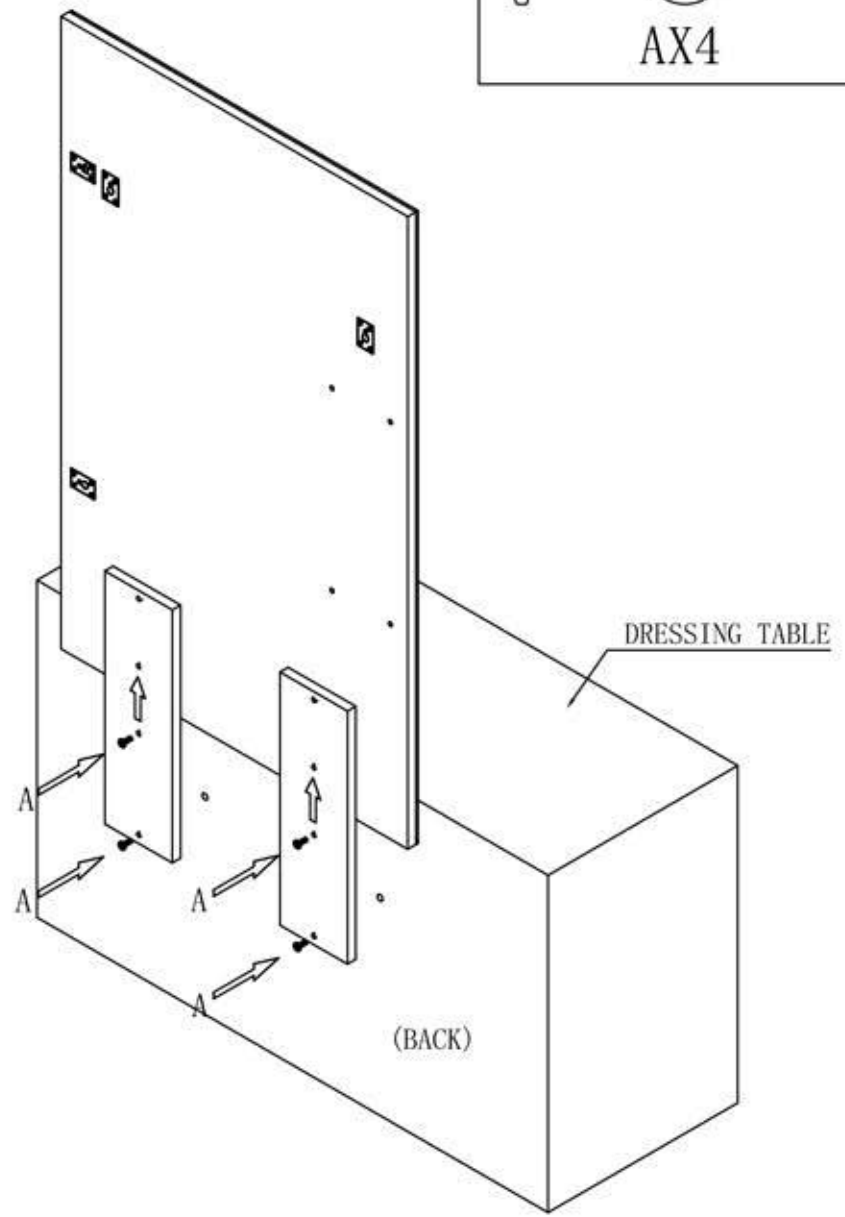
STEP1

(METHOD 1)



!
• Please use a soft mat to avoid damaging during assembly

STEP2



No	Part	Qty
1	Mirror Panel	1
2	Supporting Board	2

No	Part	Qty
A	Screw M6X30	8

10min

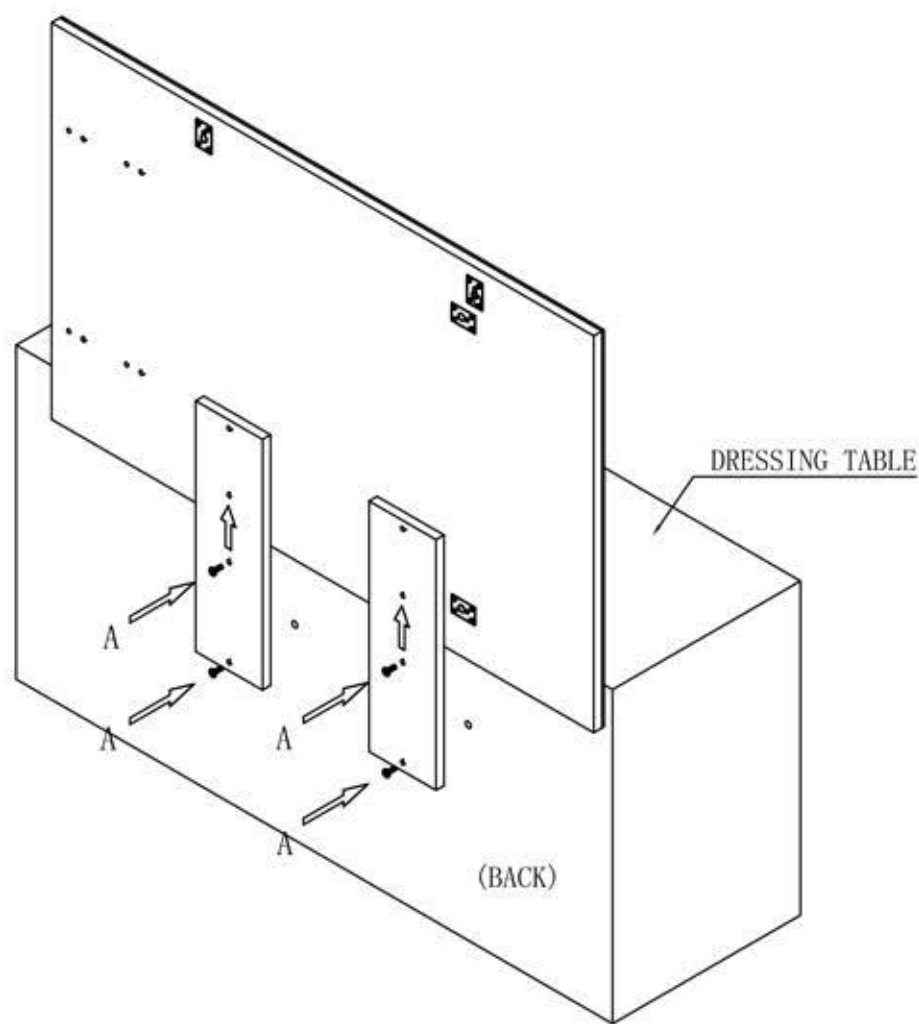
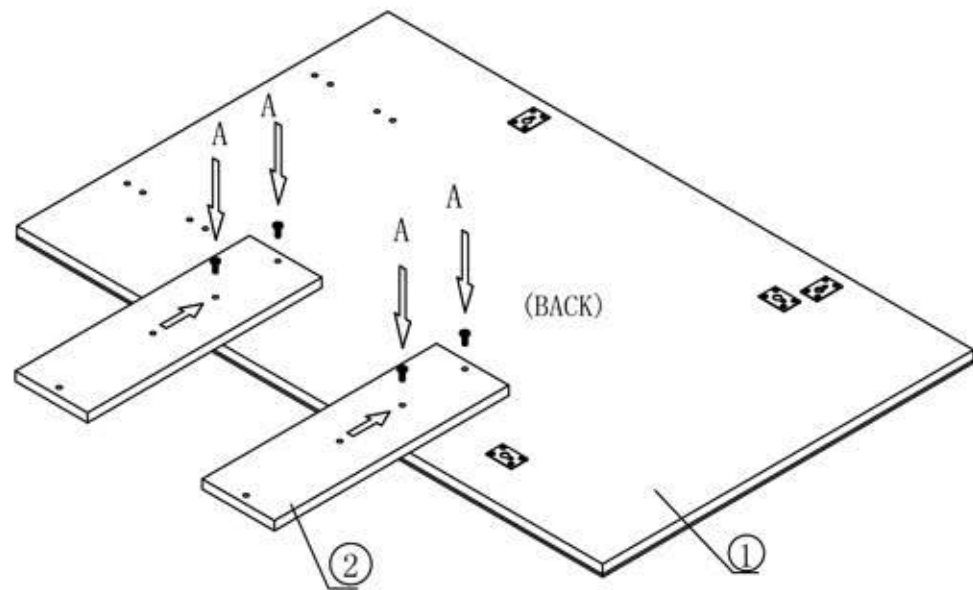
STEP1

(METHOD 2)

M6X30
AX4

STEP2

M6X30
AX4



!

• Please use a soft mat to avoid damaging during assembly

No	Part	Qty
1	Mirror Panel	1
2	Supporting Board	2

No	Part	Qty
A	Screw M6X30	8

10min

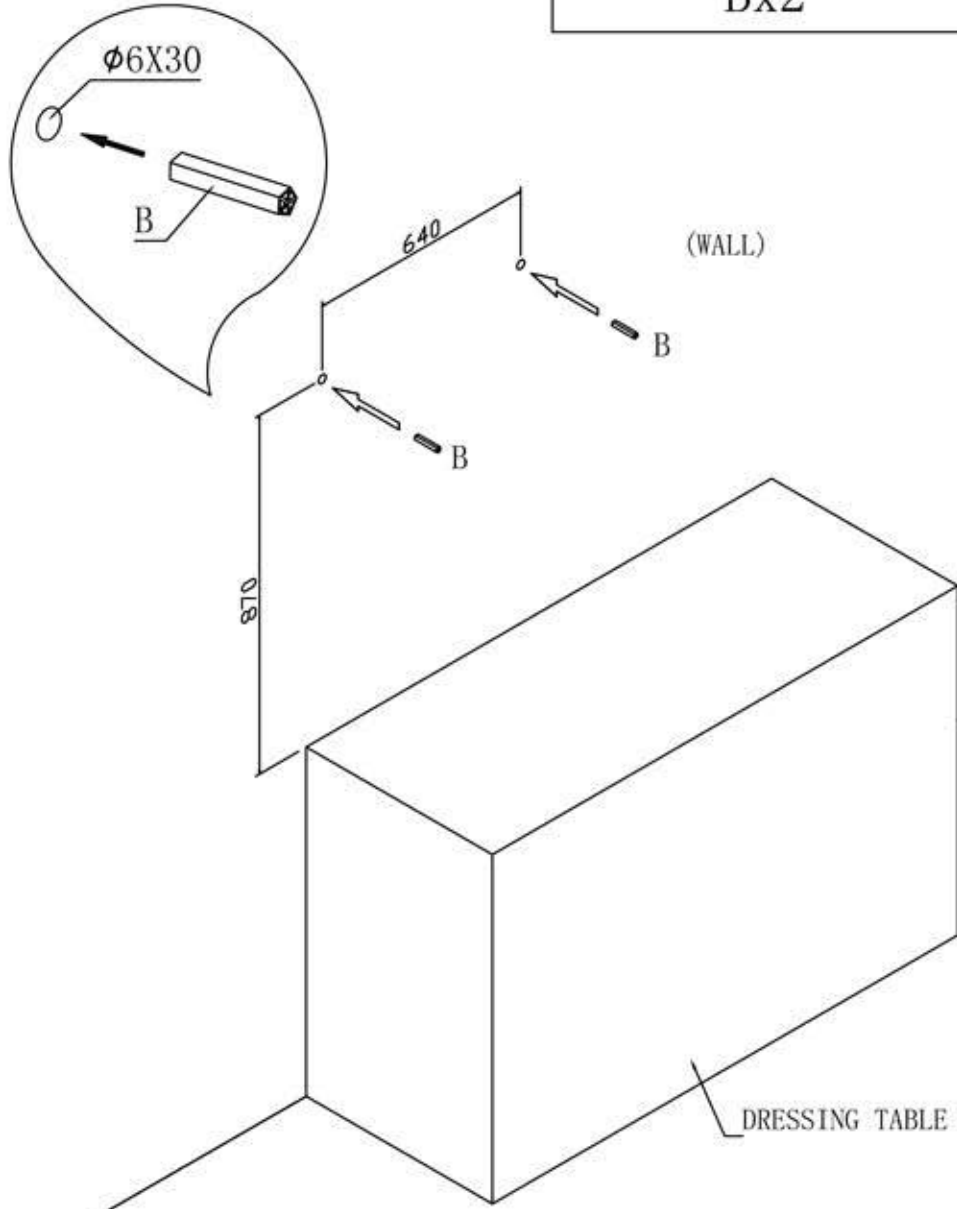
STEP1

(METHOD 3)



Expandable plastic particle

Bx2

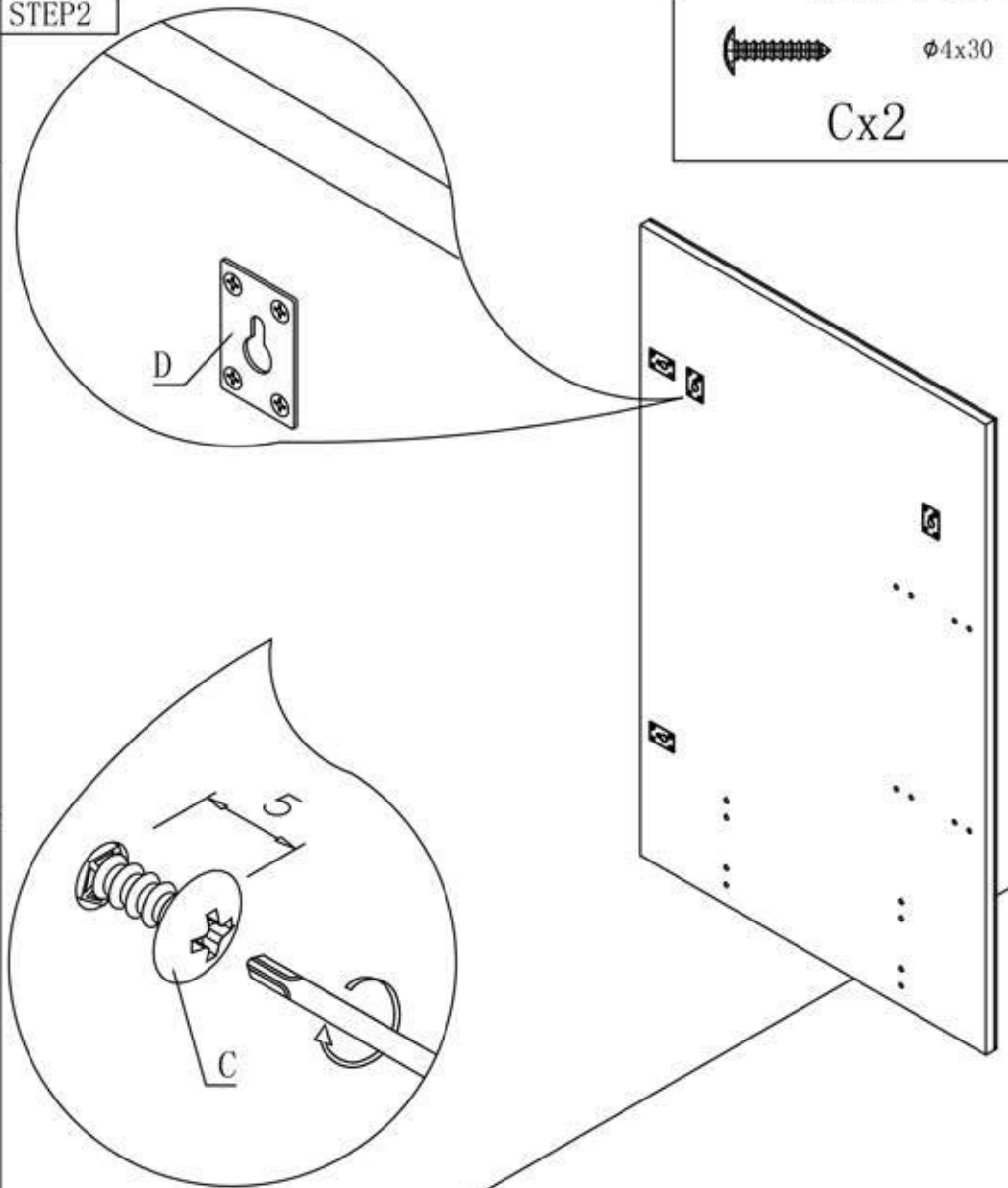


STEP2



ø4x30

Cx2



Set two screws(ø4x30) on the wall, then hang the mirror on the wall by the screws through hole D.

No	Part	Qty	No	Part	Qty	No	Part	Qty					
1	Mirror Panel	1	B	Expandable plastic particle	2	C	Screw ø4x30	2	10min				

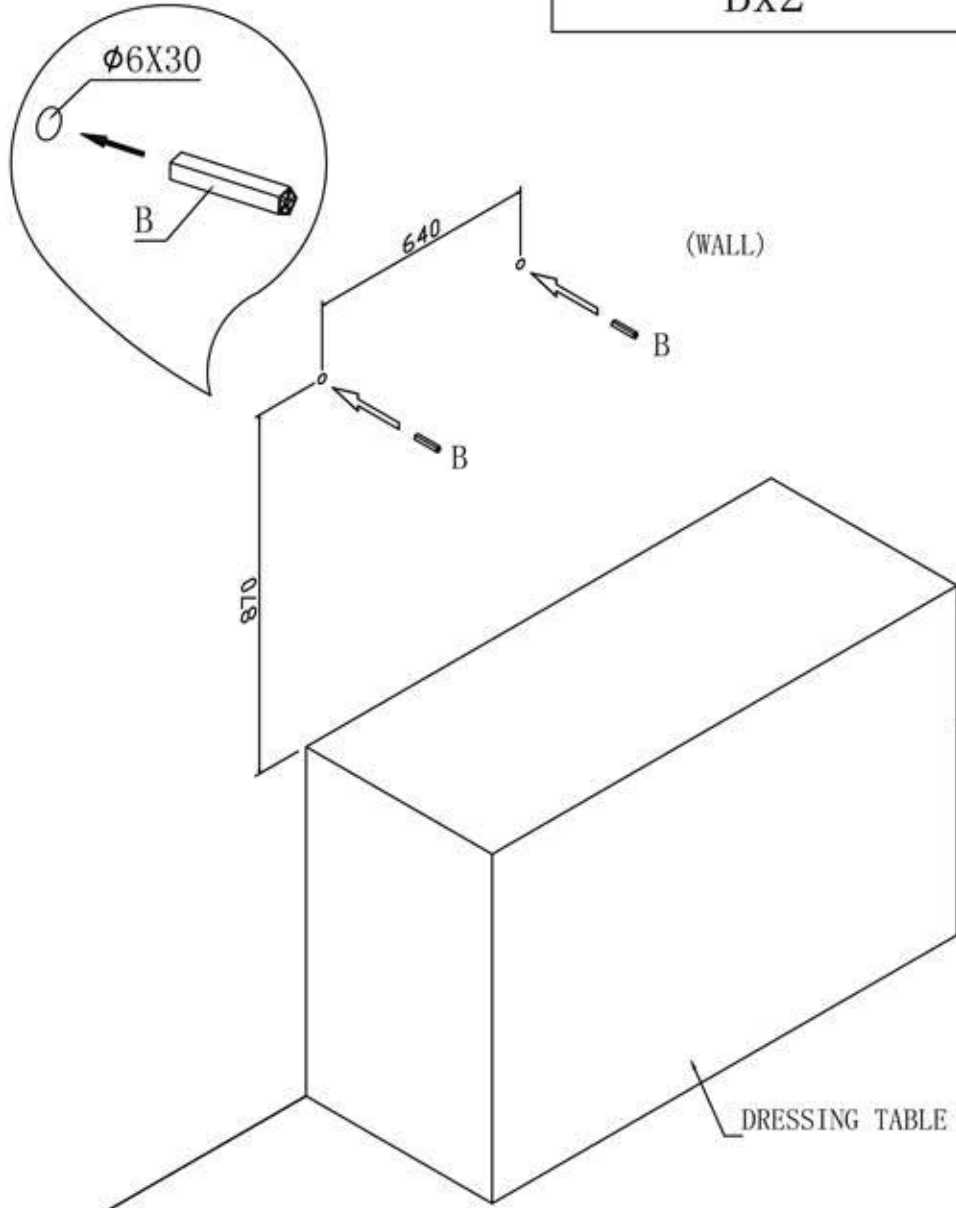
STEP1

(METHOD 4)



Expandable plastic particle

Bx2

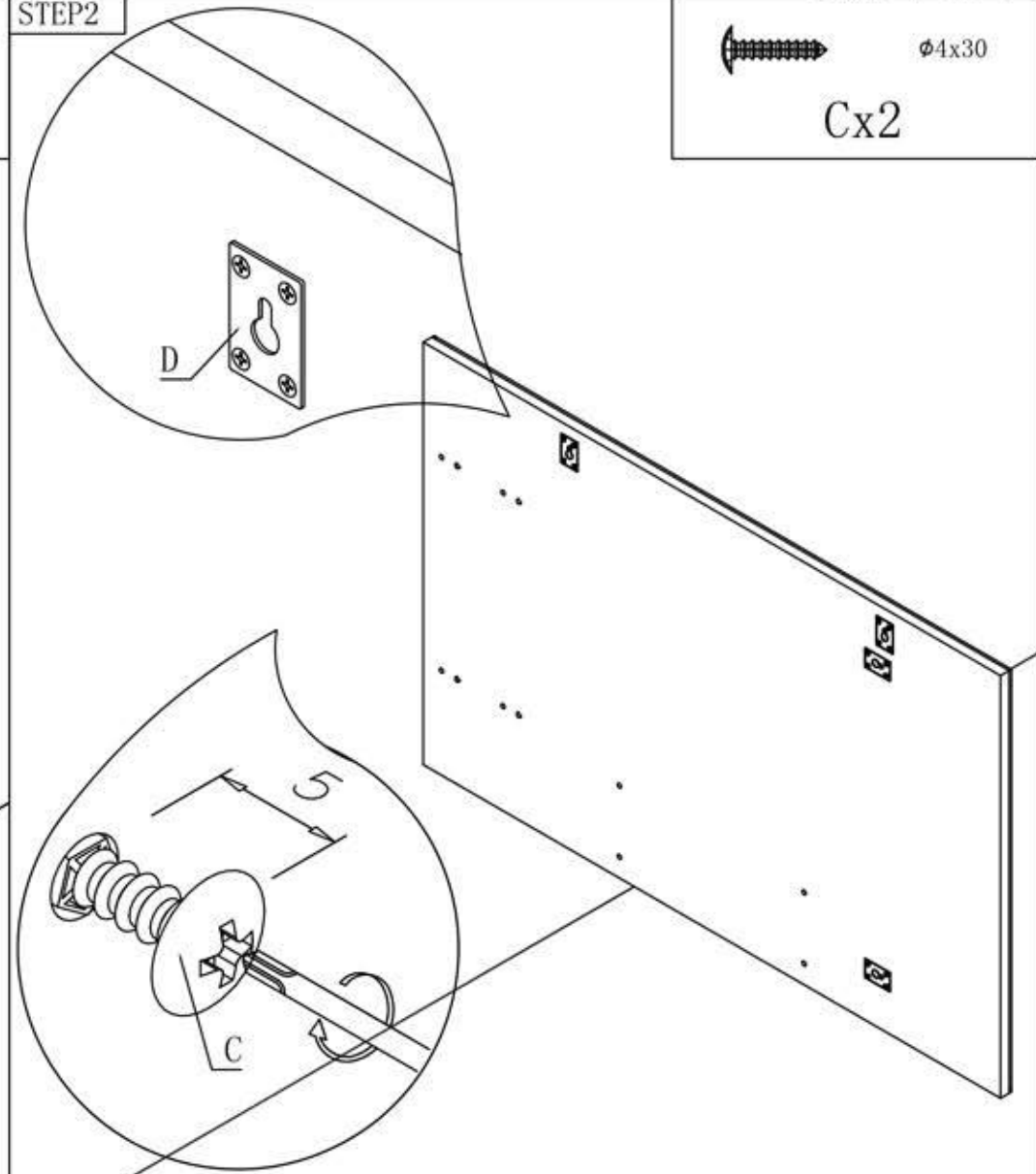


STEP2





φ4x30

Cx2



Set two screws(φ4x30) on the wall, then hang the mirror on the wall by the screws through hole D.

No	Part	Qty	No	Part	Qty
1	Mirror Panel	1	B	 Expandable plastic particle	2

No	Part	Qty
C	 Screw φ4x30	2



10min

