
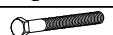






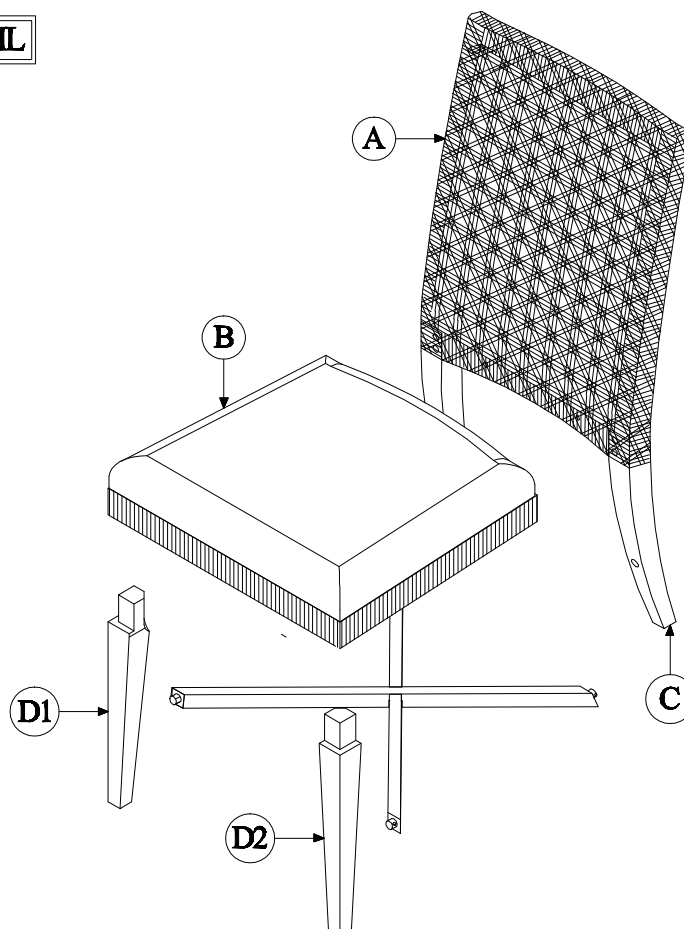
Thank you for purchasing this quality product. Be sure to check all packing material carefully for small part, which may have come loose inside the carton during shipment. Identify and count all parts and compare with the Part List below

- Cautions :**
- Place all wooden parts on a clean and smooth such as rug or carpet to avoid parts from being scratched.
 - Do not fully tighten bolts and nuts until all parts have been assembled.
 - Do not overtighten bolts and nuts as it may damage the screw thread.

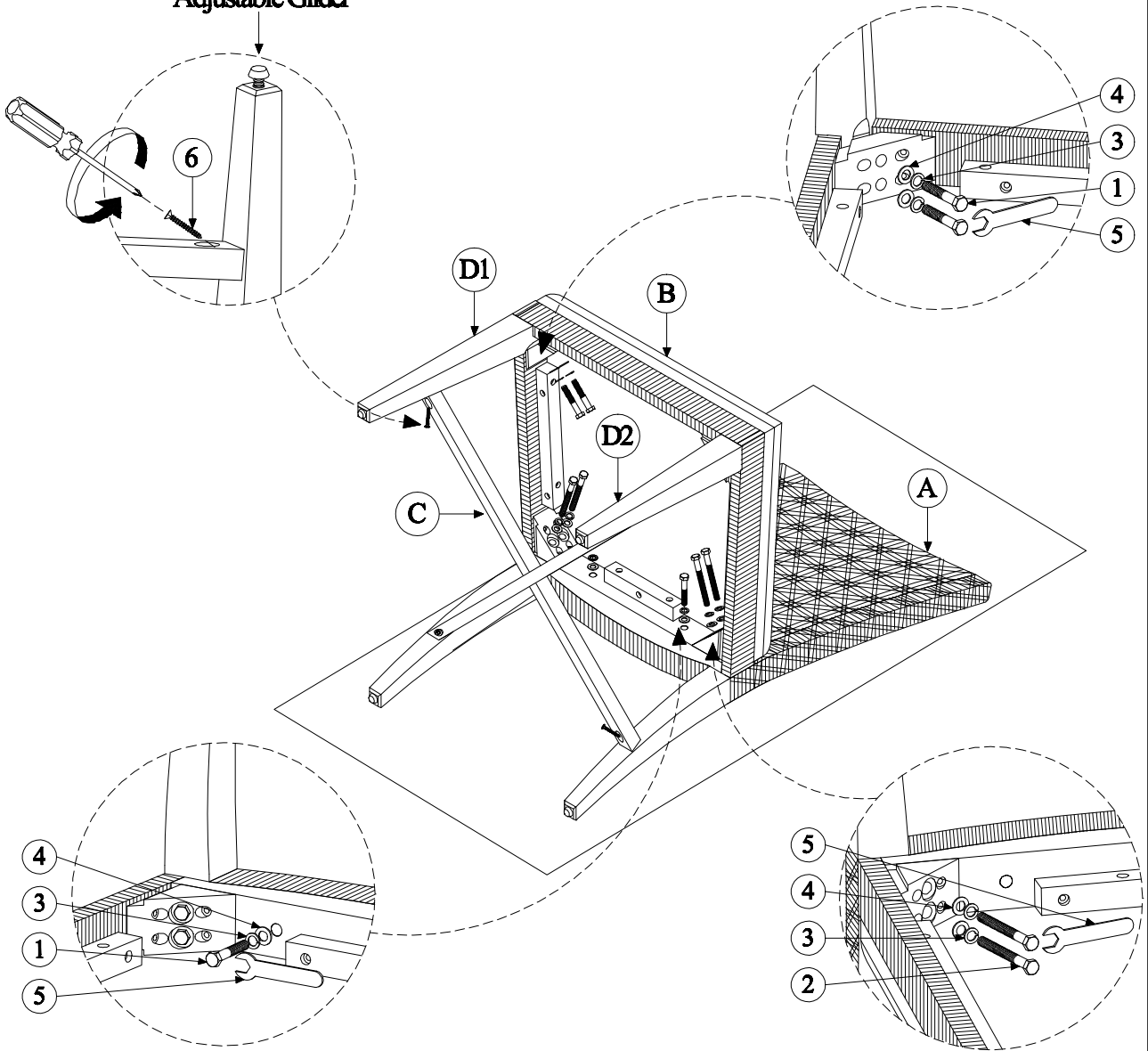
Part List	No.	Description		Qty
	A	Assembly Back		1 Pc
	B	Assembly Seat		1 Pc
	C	Stretchers		1 Pc
	D1	Front Leg (L)		1 Pc
	D2	Front Leg (R)		1 Pc

Hardware List	No.	Picture	Description	Dimension	Qty
	1		Hexagonal Bolt	M8 x 50 mm	6 Pcs
	2		Hexagonal Bolt	M8 x 80 mm	4 Pcs
	3		Lock Washer	Ø13 x 2 mm	10 Pcs
	4		Flat Washer	Ø16 x 1 mm	10 Pcs
	5		Wrench	12 mm	1 Pc
	6		Screw	JF Ø8 x 32 mm	4 Pcs

PART DETAIL



Adjustable Glider



FULL ASSEMBLED

