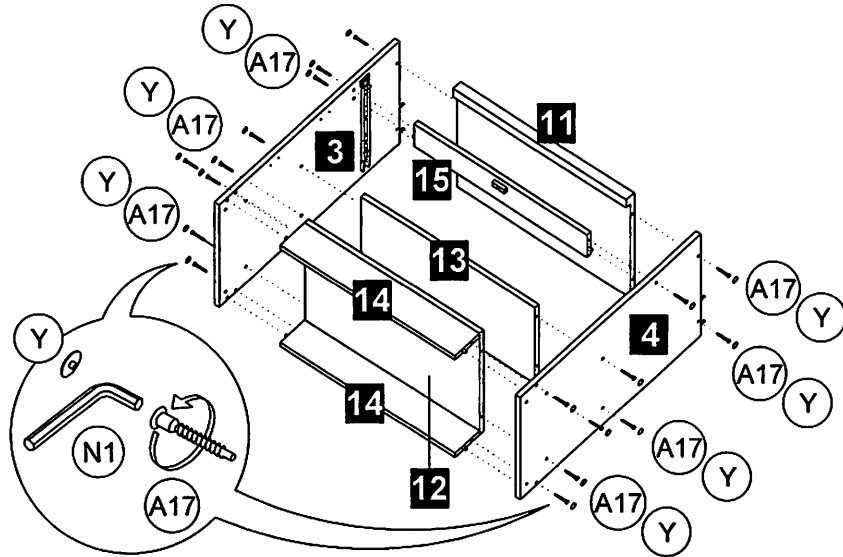
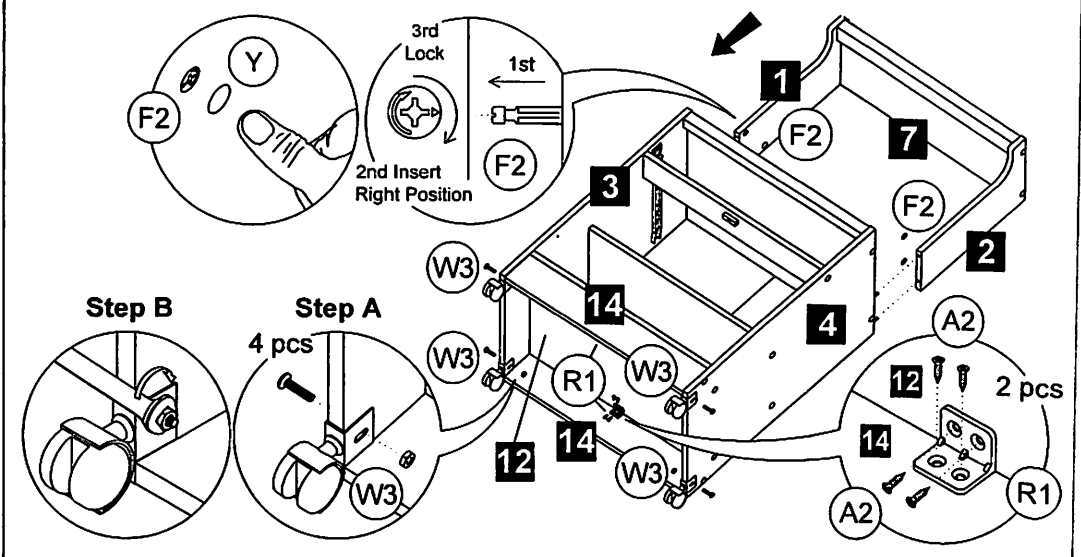


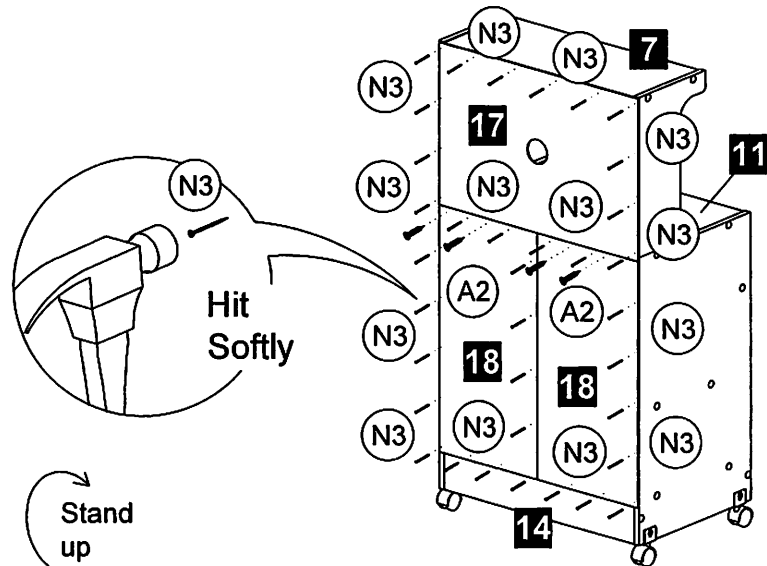
**STEP 9** Assemble panel no. 3, 4, 11, 12, 13, 14 & 15. Use Allen Key (N1) to tighten the Crosshead Screw m6.3 x 40mm (A17). Then, button the screw head with Crosshead Cover (Y).



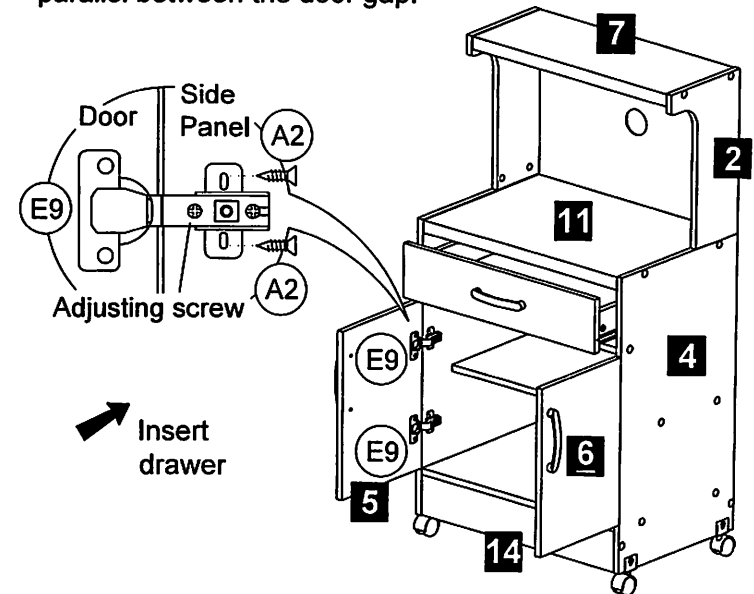
**STEP 10** Assemble the upper unit to the main unit by using Mini Fix 15mm (F2). Assemble the L Bracket (R1) at between panel no. 12 & 14. Assemble the U Shape Caster Wheel (W3) at the bottom of panel no. 3 & 4.



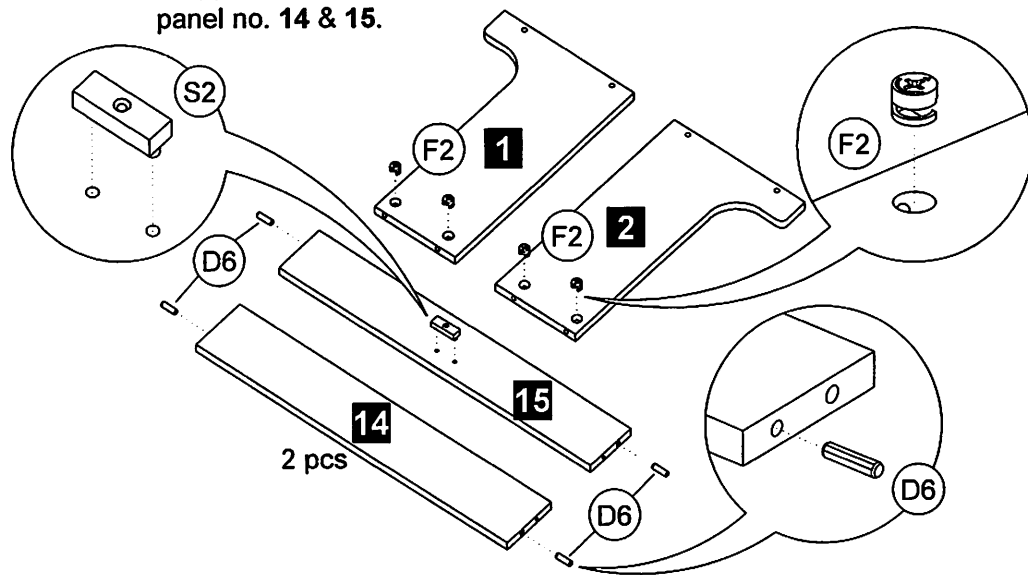
**STEP 11** Attach the back panel no. 17 & 18 by Nail (N3) & use Screw m3.5 x 14mm (A2) to screw the back panel to panel no. 11.



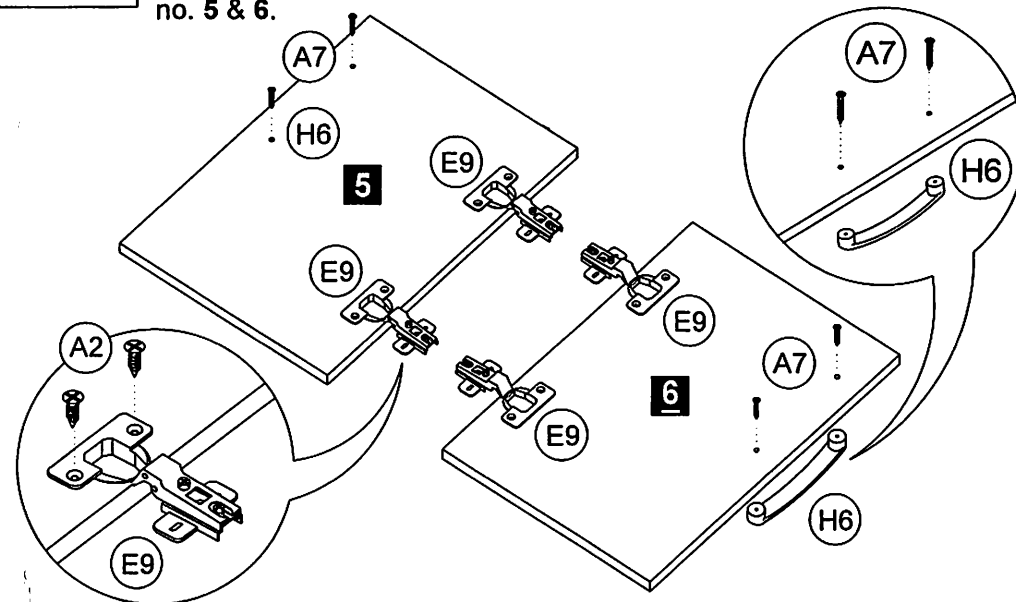
**STEP 12** Insert the drawer & attach the door. Adjust the Hinges (E9) screw to parallel between the door gap.



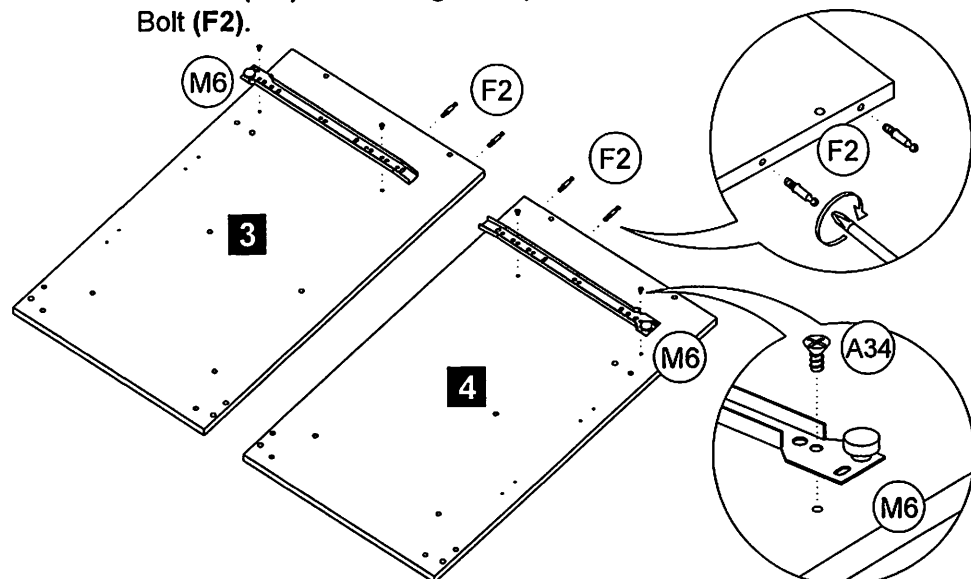
**STEP 5** Insert the Mini Fix Cam (F2) at panel no. 1 & 2. Insert the Door Stopper (S2) at panel no. 15. Insert Wood Dowel 8 x 25mm (D6) at panel no. 14 & 15.



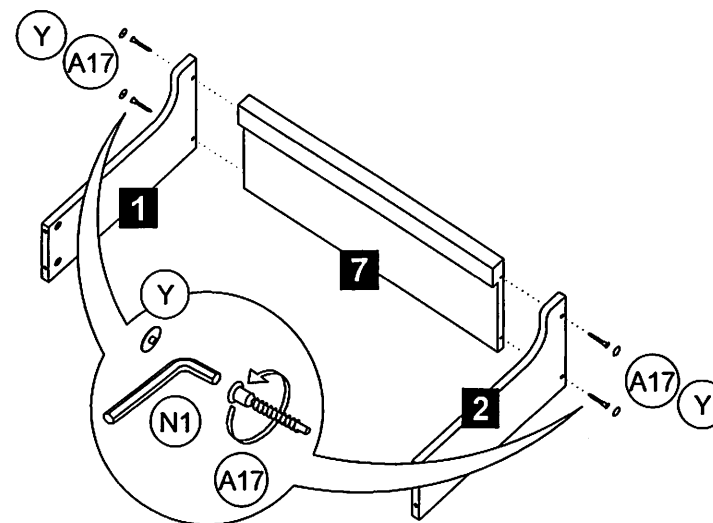
**STEP 6** Assemble each hardware with a different size screw at door panel no. 5 & 6.



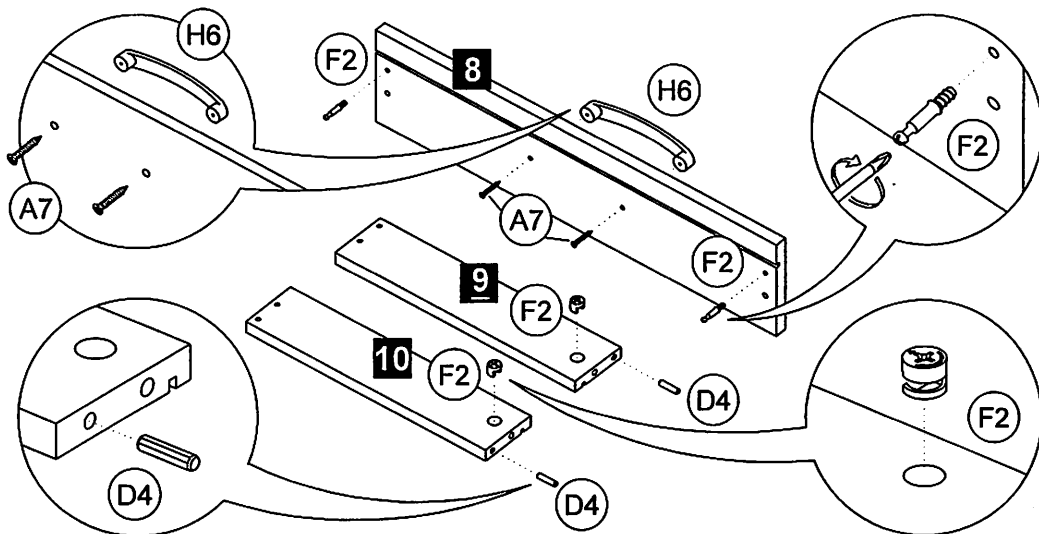
**STEP 7** Use Euro Screw (A34) to assemble left & right Drawer Metal Slide 350mm (M6) at marking hole panel no. 3 & 4. Then, insert Mini Fix Bolt (F2).



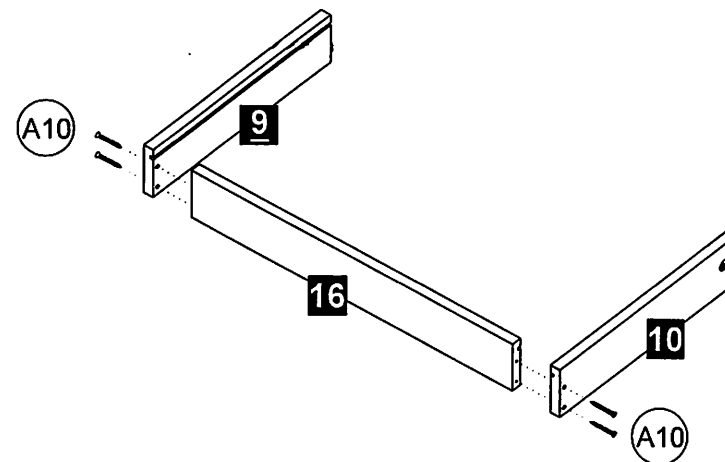
**STEP 8** Assemble panel no. 1, 2, & 7. Use Allen Key (N1) to tighten the Crosshead Screw m6.3 x 40mm (A17). Then, button the screw head with Crosshead Cover (Y).



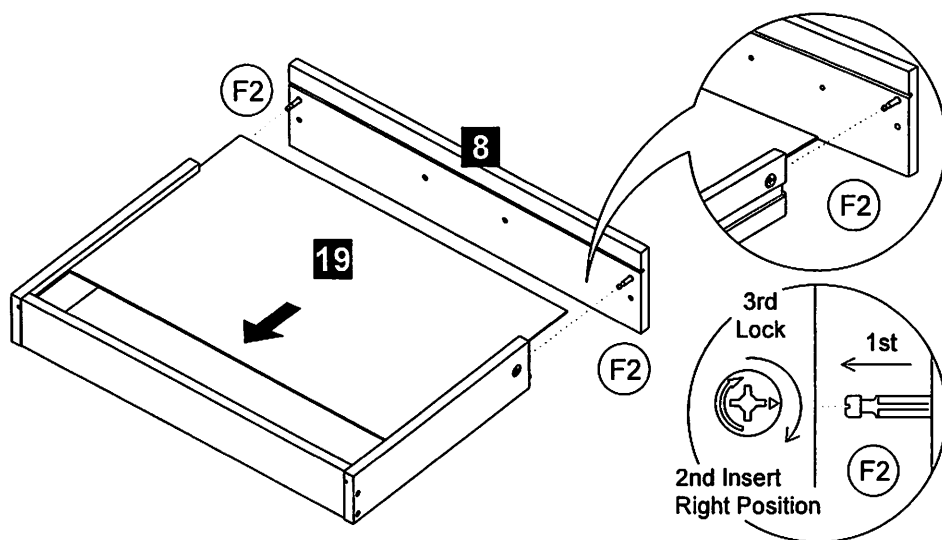
**STEP 1** Fix the Mini Fix Bolt (F2) and use Screw m4 x 30mm (A7) to secure the Handle (H6) at panel no. 8. Insert Mini Fix Cam (F2) at panel no. 9 & 10. Then, insert Wood Dowel 6 x 25mm (D4) at panel no. 9 & 10.



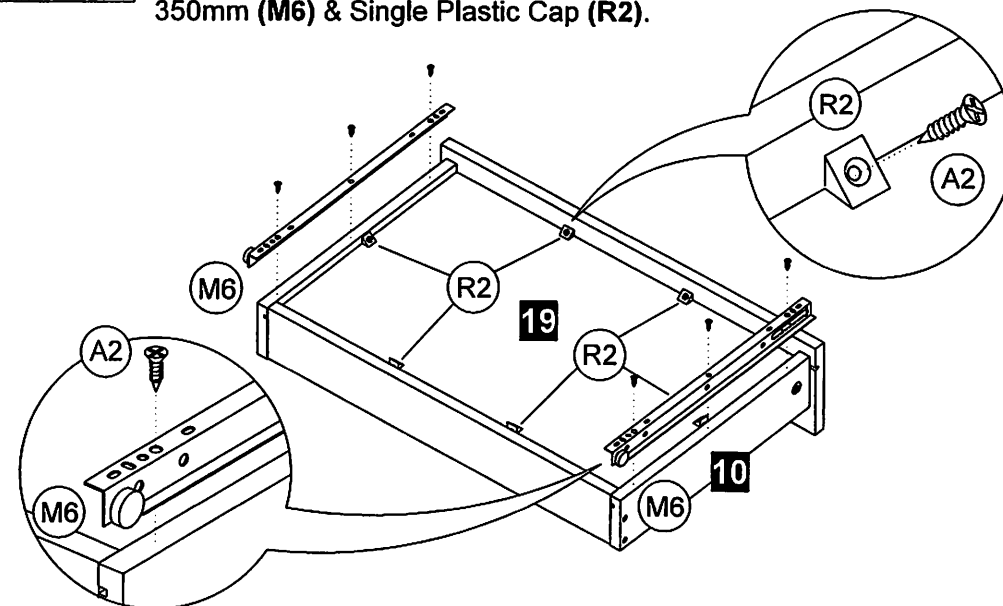
**STEP 2** Use Screw m4 x 38mm (A10) to assemble the drawer frame.



**STEP 3** Slide the panel no. 19 along the groove until end. Then, assemble panel no. 8 by using Mini Fix 15mm (F2).

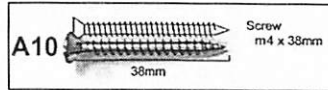
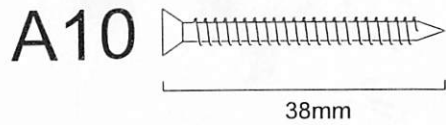
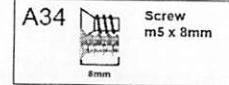
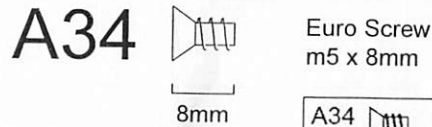
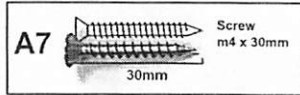
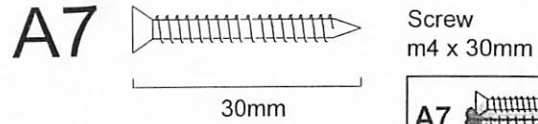
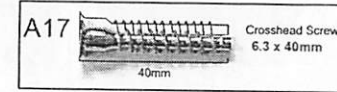
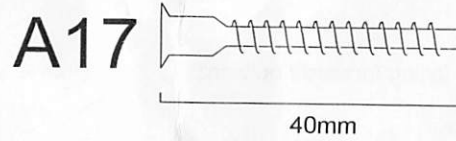
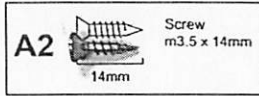
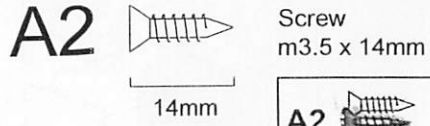


**STEP 4** Use Screw m3.5 x 14mm (A2) to assemble the Drawer Metal Slide 350mm (M6) & Single Plastic Cap (R2).



Reference Screw Size.

Place your screw on top to identify the size

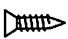


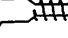

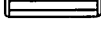
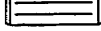





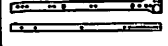




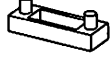


**Before you begin, please follow assembly instruction carefully, then follow step by step.**

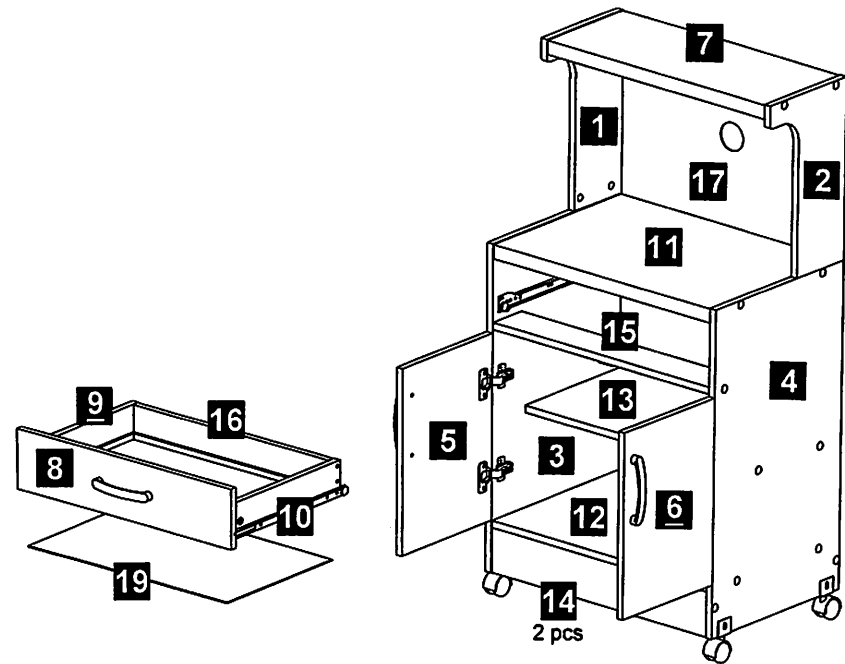
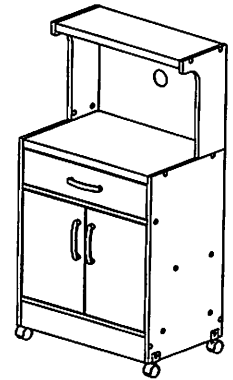
Read instruction carefully. See furniture Parts List and Hardware List for guidance. Be sure you have all parts before you start assembling. Place and assemble furniture on a clean flat soft surface, such as carpet, rug or carton to prevent being scratched.

**Reminder :**

Please ensure that all surface and edges with colours / laminations are facing forward / outward.

HARDWARE LIST			QTY
A2		Screw m3.5 x 14mm	40
A7		Screw m4 x 30mm	6
A10		Screw m4 x 38mm	4
A17		Crosshead Screw 6.3 x 40mm	22
A34		Euro Screw m5 x 8mm	4
D4		Wood Dowel 6 x 25mm	2
D6		Wood Dowel 8 x 25mm	6
E9		Hinges 7/8	4
F2		Mini Fix 15mm	6 Sets

H6		Handle 128mm (Silver)	3
M6		Drawer Metal Slide 350mm	1 Set
N1		Allen Key	1
N3		Nail	35 (+-3)
R1		L Bracket	2
R2		Single Plastic Cap	6
S2		Door Stopper Big	1
W3		U Shape Caster Wheel	1 Set
Y		Crosshead Cover / Mini Fix Cap	26



Each pack have contain different type hardware and size of screw for easy assemble. Please refer to page 2, check a screw size.

**CAUTION**

MATERIAL USE LAMINATED PARTICLE BOARD, TO CLEAN USE SOFT, DRY CLOTH. DO NOT USE DETERGENT OR CHEMICAL. AVOID CONTACT WITH WATER AND DIRECT SUNLIGHT. TO BE ASSEMBLED ON A SOFT, DRY, CLEAN SMOOTH SURFACE.



USE OF POWER TOOLS TO ASSEMBLE THIS PRODUCT WILL INVALIDATE ANY CLAIM AND MAY DAMAGE THIS PRODUCT MAKING IT UNSAFE.