





ASSEMBLY INSTRUCTIONS & PARTS IDENTIFICATION

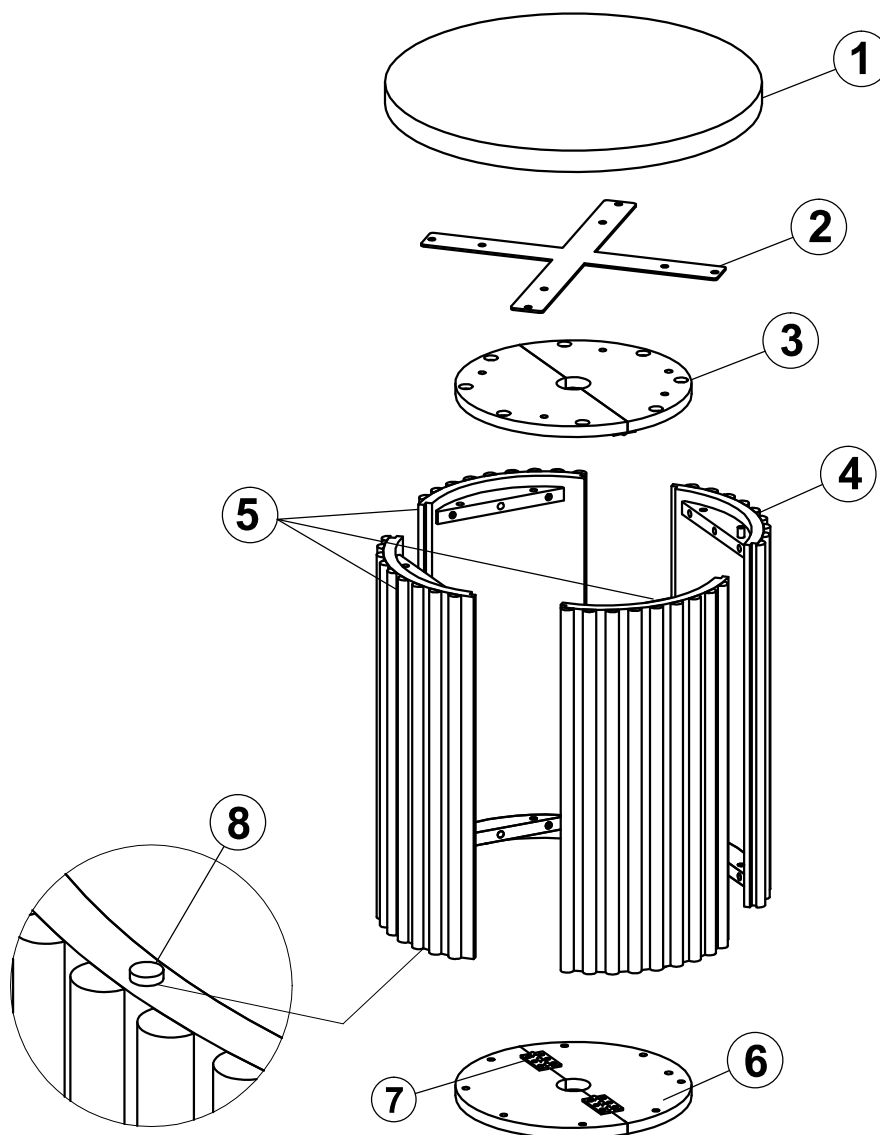
END TABLE NATURAL

Thank you for purchasing this quality product. Be sure to check all packing material carefully for small parts that may have come loose inside the carton during shipment.

Hardware kit			
No		Description	Q'Ty
A		Short Bolt Ø6.3 x 0.794 x 15mm(L)	4 pcs
B		Long Bolt Ø6.3 x 0.794 x 30mm(L)	16 pcs
C		Flat Washer Ø6.3	20 pcs
D		Allen Key	1 pc

Key Parts			
No		Description	Q'Ty
1		Table Top	1 pc
2		Mounting Plate	1 pc
3		Support Panel Top	1 pc
4		Side Panel with Dowels	1 pc
5		Side Panel - No Dowels	3 pcs
6		Support Panel Bottom	1 pc
7		Hinge	4 pcs
8		Floor Glide	4 pcs

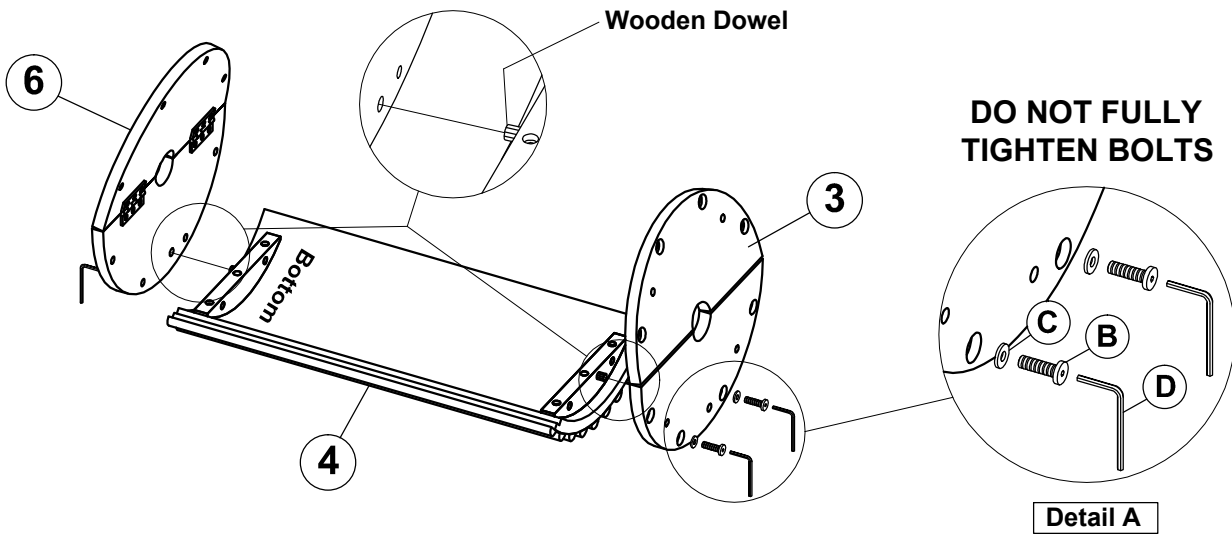
**TWO PERSONS ARE REQUIRED
TO SET UP THE TABLE
DO NOT USE POWER TOOLS**



Thank you for purchasing this quality product. Be sure to check all packing material carefully for small parts that may have come loose inside the carton during shipment.

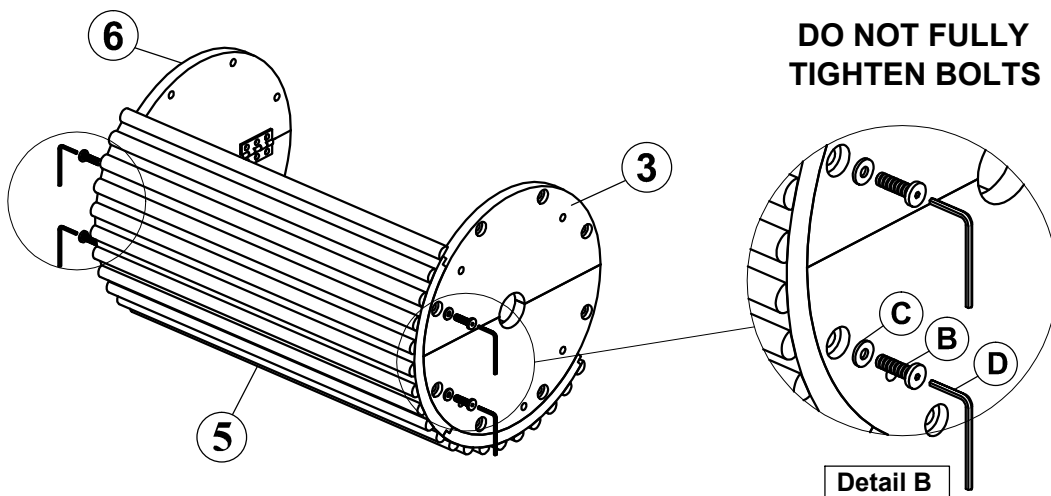
STEP 1

- Carefully lay the Side Panel with Dowels on a smooth flat surface to prevent scratches.
- Attach the Support Panel Bottom and Support Panel Top to the Side Panel with Dowels using a Long Bolt (B), Flat Washer (C) and Allen Key (D) provided . (See Detail A)



STEP 2

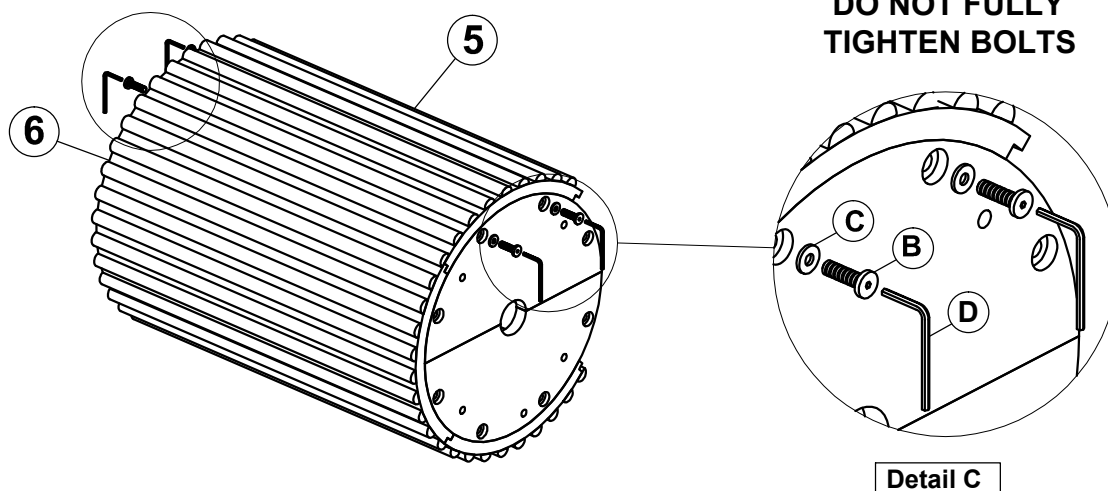
- Attach the Side Panel without the Dowels to the Support Panel Bottom and Support Panel Top using a Long Bolt (B) Flat Washer (C), and Allen Key (D) provided. (See Detail B)



Thank you for purchasing this quality product. Be sure to check all packing material carefully for small parts that may have come loose inside the carton during shipment.

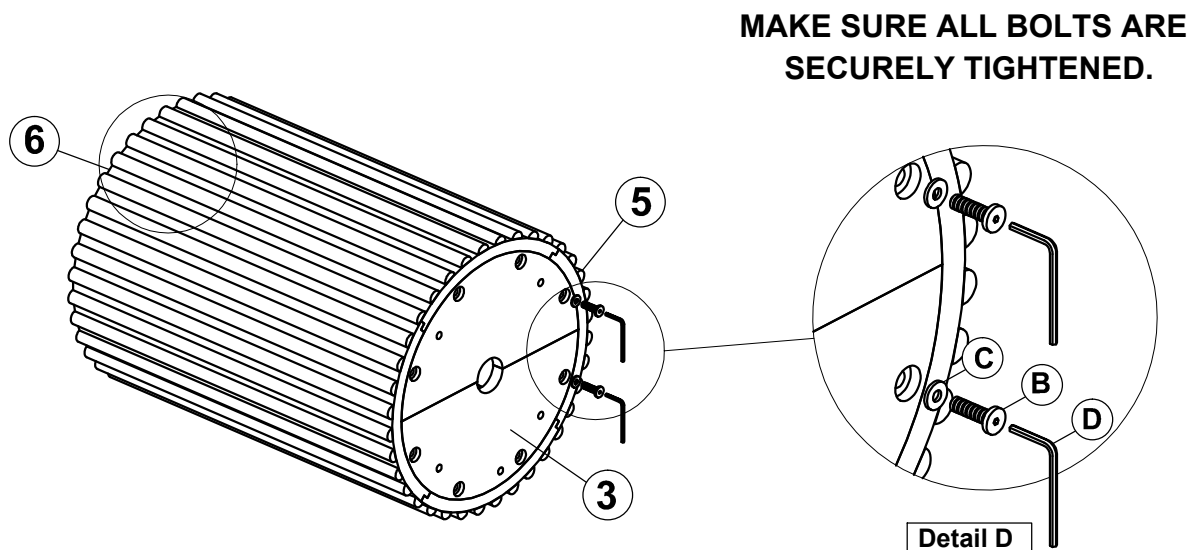
STEP 3

- Continue to attach the Side Panels without the Dowels to the Top and Bottom Support panels until all the Side panels are in place.



STEP 4

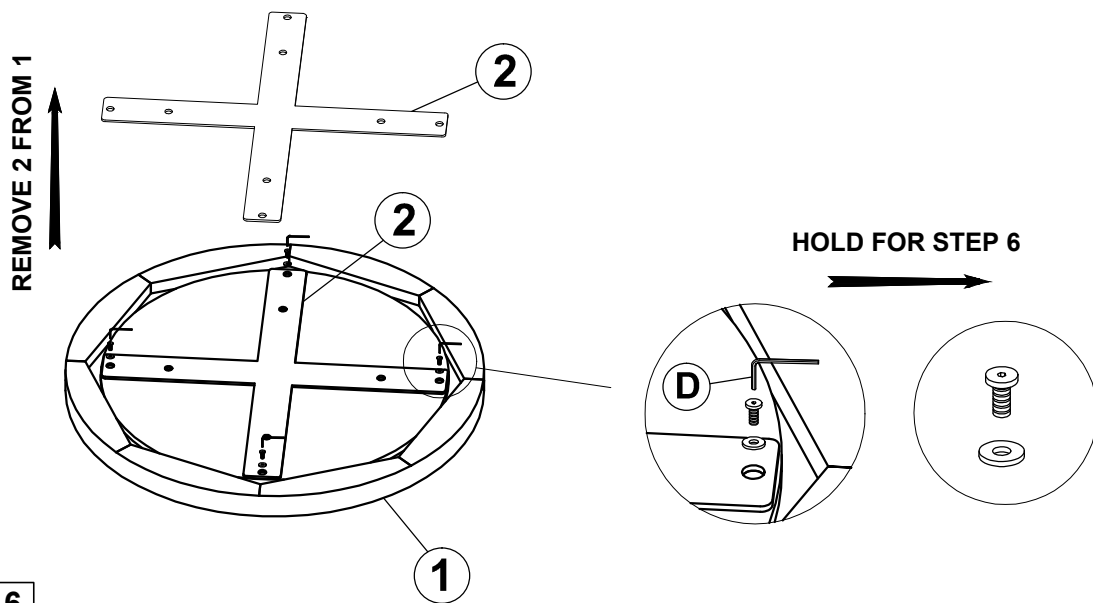
- It may be necessary to slightly shift the Side Panels once you attach the last one.
- Once all the panels are in place, tighten all bolts on the top and bottom.



Thank you for purchasing this quality product. Be sure to check all packing material carefully for small parts that may have come loose inside the carton during shipment.

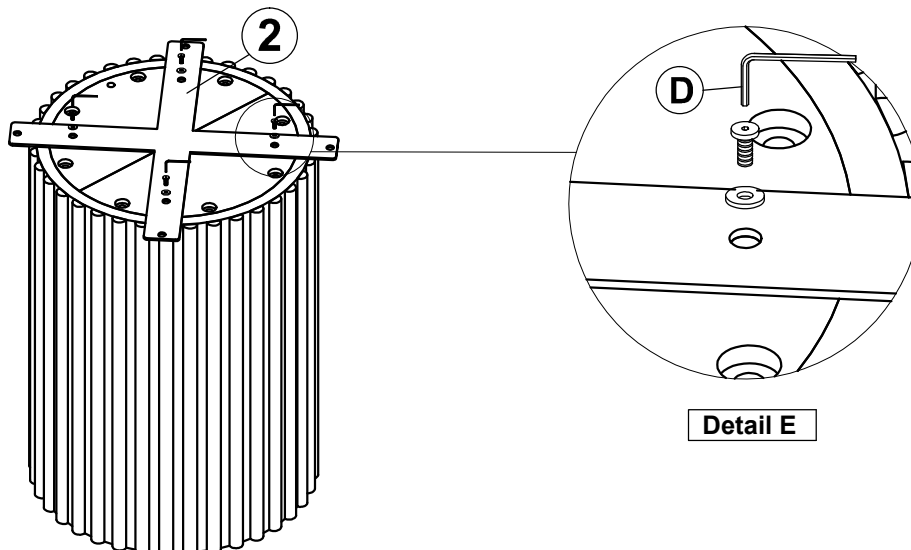
STEP 5

- Carefully lay Table Top on a smooth flat surface to prevent scratches.
- Remove the Mounting Plate from Table Top using Allen Key (D) provided .



STEP 6

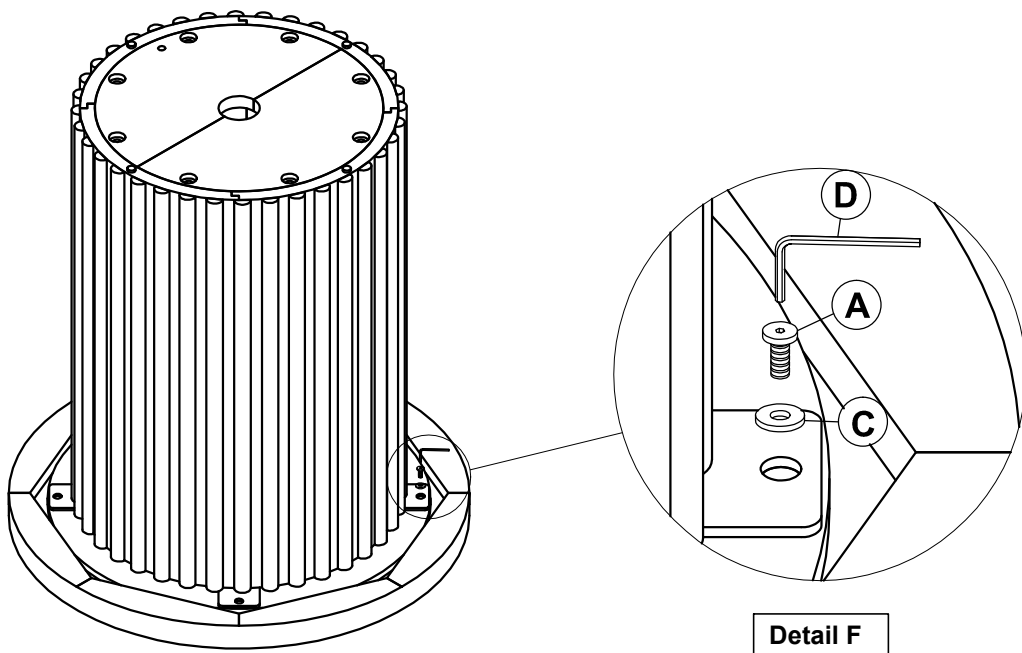
- Attach the Mounting Plate to the top of the assembled Pedestal Base using a Short Bolt, Flat Washer disconnected in Step 5 and Allen Key (D) provided. (See Detail E)
- Make sure all bolts are securely tightened.



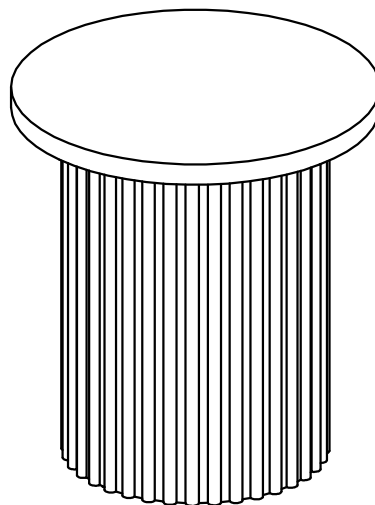
Thank you for purchasing this quality product. Be sure to check all packing material carefully for small parts that may have come loose inside the carton during shipment.

STEP 7

- Lay the Table Top upside down on a clean padded surface to prevent scratching.
- Attach the Mounting Plate to the Table Top using a Short Bolt (A), Flat Washer (C) and Allen Key (D) provided. (See Detail F)
- Make sure all bolts are securely tightened.
- With help from the second person, carefully turn the table upright.



ASSEMBLY COMPLETED



DO NOT ATTEMPT TO TRANSPORT THE TABLE WITH THE BASE ATTACHED.
TOP MUST BE REMOVED AND TRANSPORTED AS TWO PIECES.