

USE AND MAINTENANCE

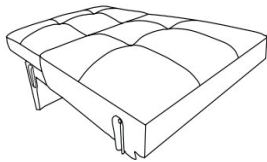
- Use on level surfaces only
- Because this product needs assembly, it is prone to working itself loose from time to time depending on the use. Please take the time to check that all connections are still tight and working properly for safety.
- Only clean using a damp cloth and mild detergent, do not use bleach or abrasive cleaners.

Foldable Sleeper Convertible Chair

PART LIST



1 - Chair Base x1



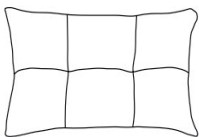
2 - Chair Bed x1



3 - Right Armrest x1



4 - Left Armrest x1

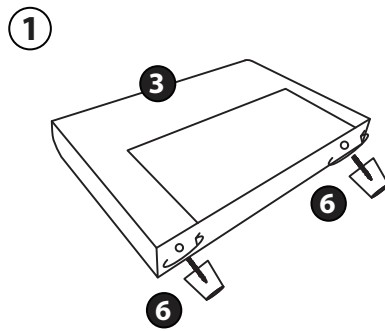


5 - Pillow x2

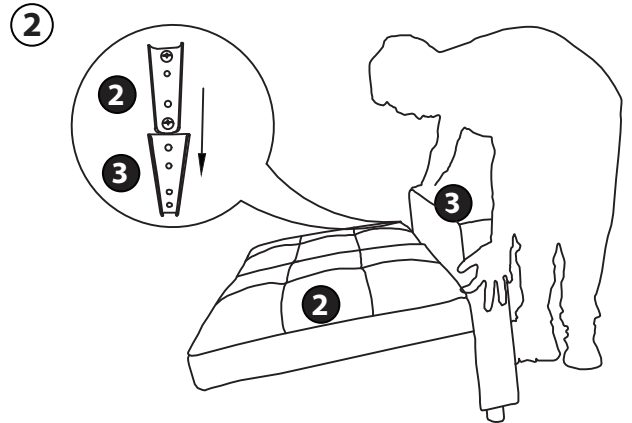


6 - Leg x4

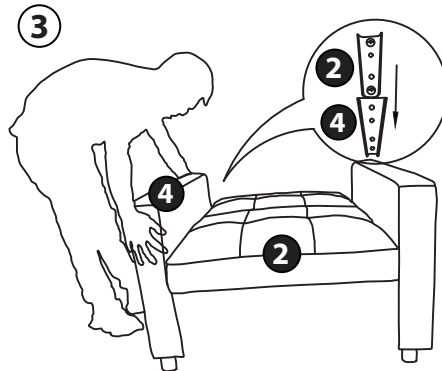
Assembly Instructions



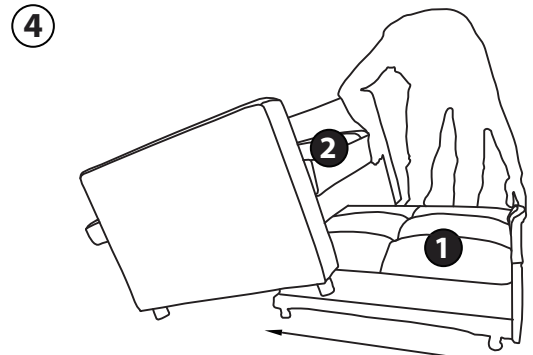
Insert 6(x2) into 3.Repeat for 4.



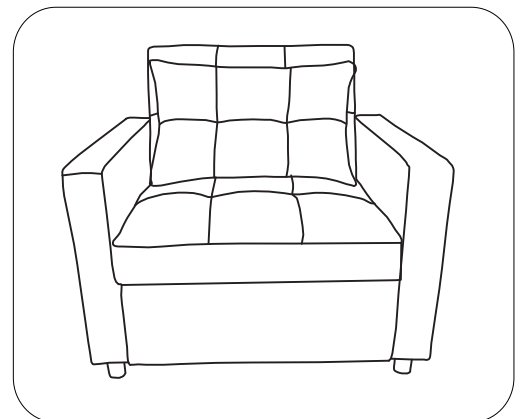
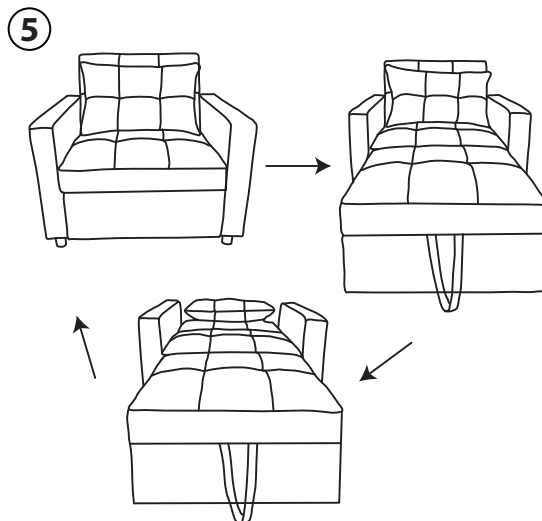
Insert Right Buckle of 2 into Buckle of 3 tightly.



Insert Left Buckle of 2 into Buckle of 4 tightly.



Put 1 in the bottom of 2.



Congratulations! Setup of your new Foldable Sleeper Convertible Chair is Complete! Keep these instructions for future reference.