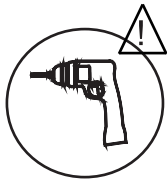


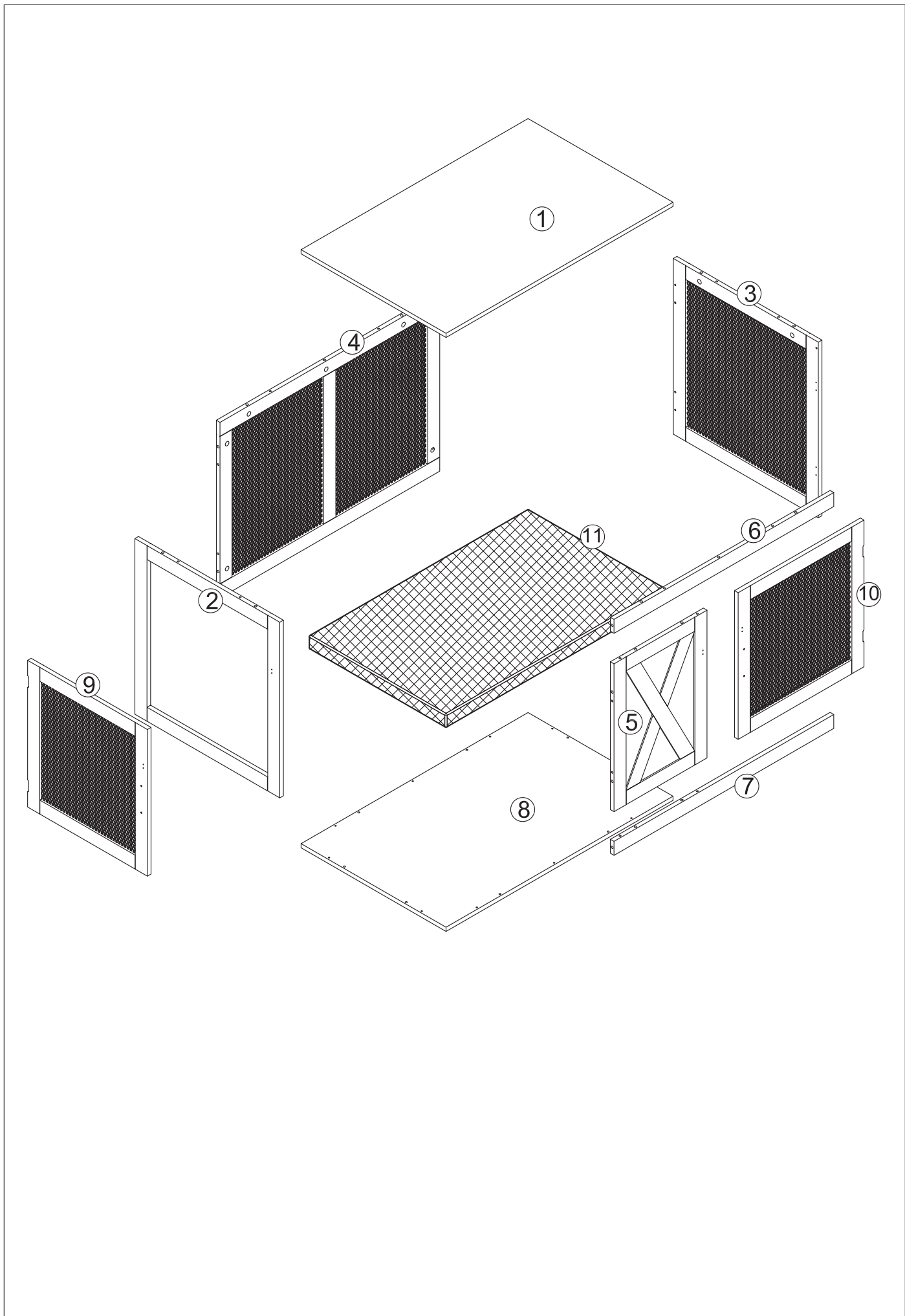
CAUTION:When tightening the screws,tighten sequentially.Do not tighten any screws fully and then towards the next one.When every part is OK, then tighten all the screws.



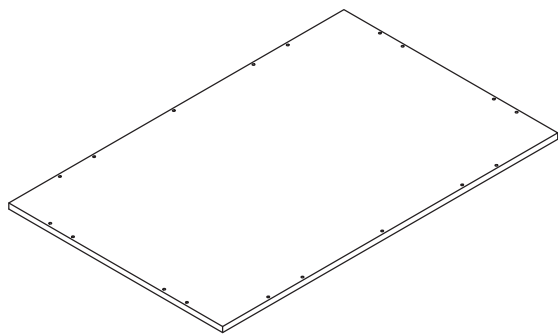
PLEASE BE CAREFUL DO NOT DAMAGE THE HOLE POSITION WHEN YOU USE POWER TOOLS !

If there are any missing parts, please contact us, and we will send you a brand new replacement.

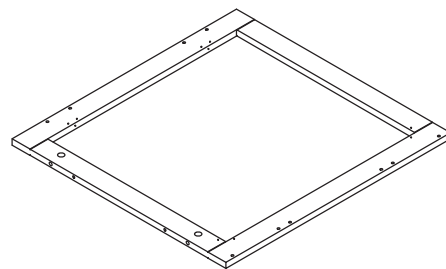
We also offer an exclusive one-month service where we provide product replacements without the need for repairs, as long as the damage is not caused by human error.



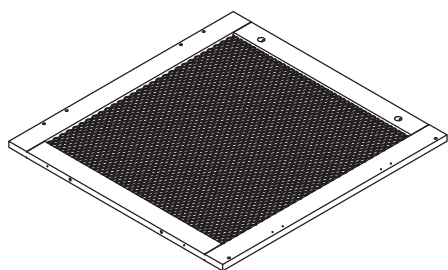
①x1



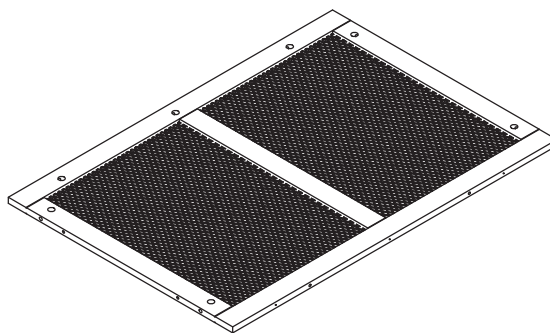
②x1



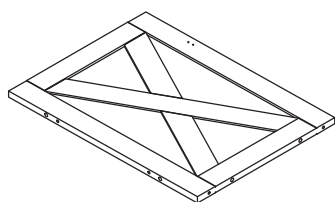
③x1



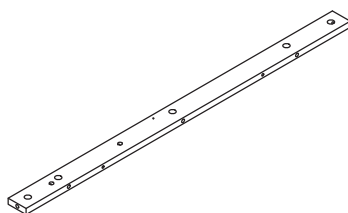
④x1



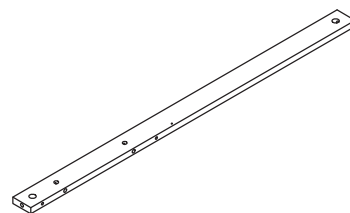
⑤x1



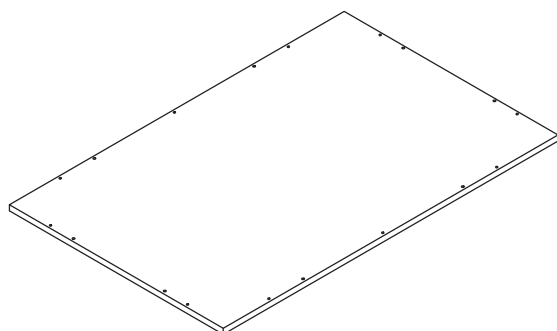
⑥x1



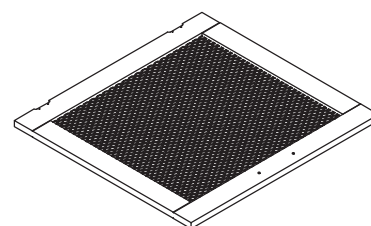
⑦x1



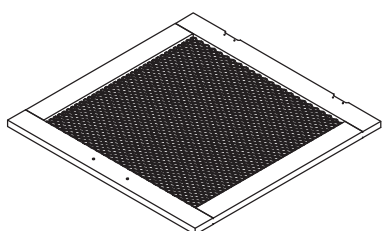
⑧x1



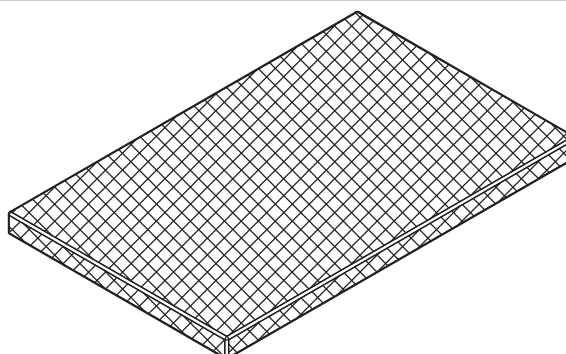
⑨x1

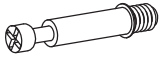


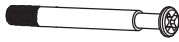

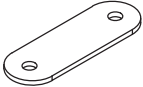

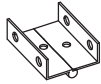
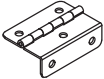

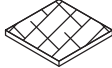
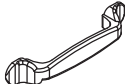





⑩x1



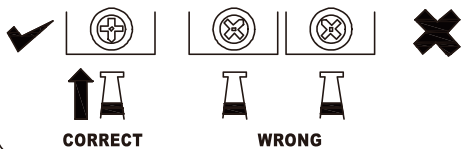
⑪x1



<p>A X20(+2)</p>  <p>Ø6x35mm</p>	<p>B X24(+2)</p>  <p>Ø15x10mm</p>	<p>C X26(+2)</p>  <p>Ø6x30mm</p>	<p>D X4</p>  <p>Ø6x55mm</p>
<p>E X4</p>  <p>Ø10x10mm</p>	<p>F X4</p> 	<p>G X30(+2)</p>  <p>Ø3.5x14mm</p>	<p>H X2</p> 
<p>I X2</p> 	<p>J X10(+1)</p>  <p>Ø4x40mm</p>	<p>K X6</p> 	<p>L X2</p> 
<p>M X4(+1)</p> 	<p>N X2</p> <p>N-1 N-2</p> 	<p>O X8(+1)</p> 	

SPECIAL TIPS FOR FITTING CAM-LOCKS AND QUICKFIT

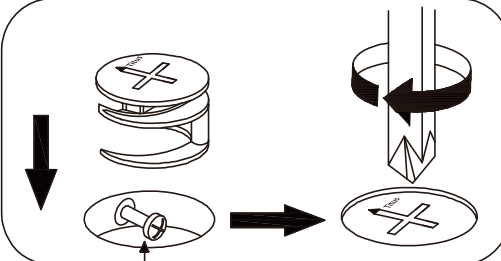
**WHEN FITTING CAMLOCK
ENSURE STARTING POSITION IS CORRECT
BEFORE YOU INSERT CONNECTING QUICKFIT
TURN CLOCKWISE UNTIL SECURE**



↑
↑

CORRECT
WRONG

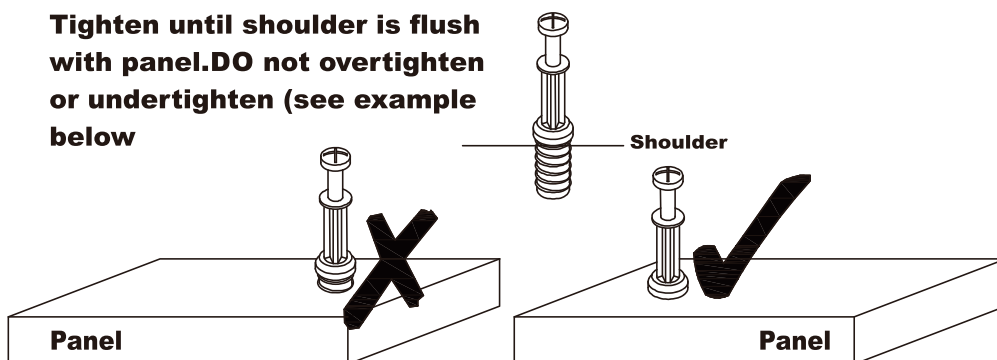
CAM-LOCK



Quickfit head needs to be in centre

QUICKFIT

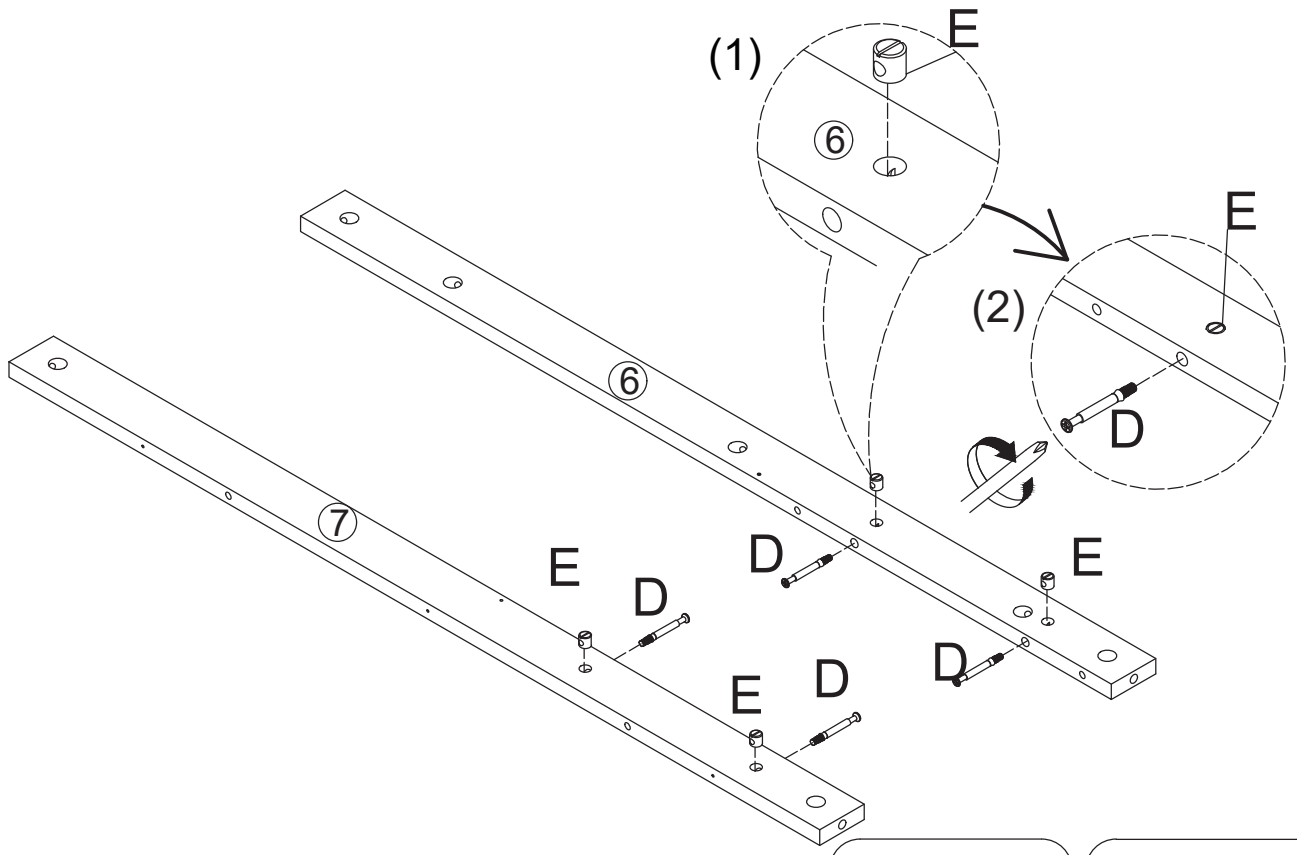
Tighten until shoulder is flush with panel. DO not overtighten or undertighten (see example below)




Shoulder

Panel Panel

1




D X4



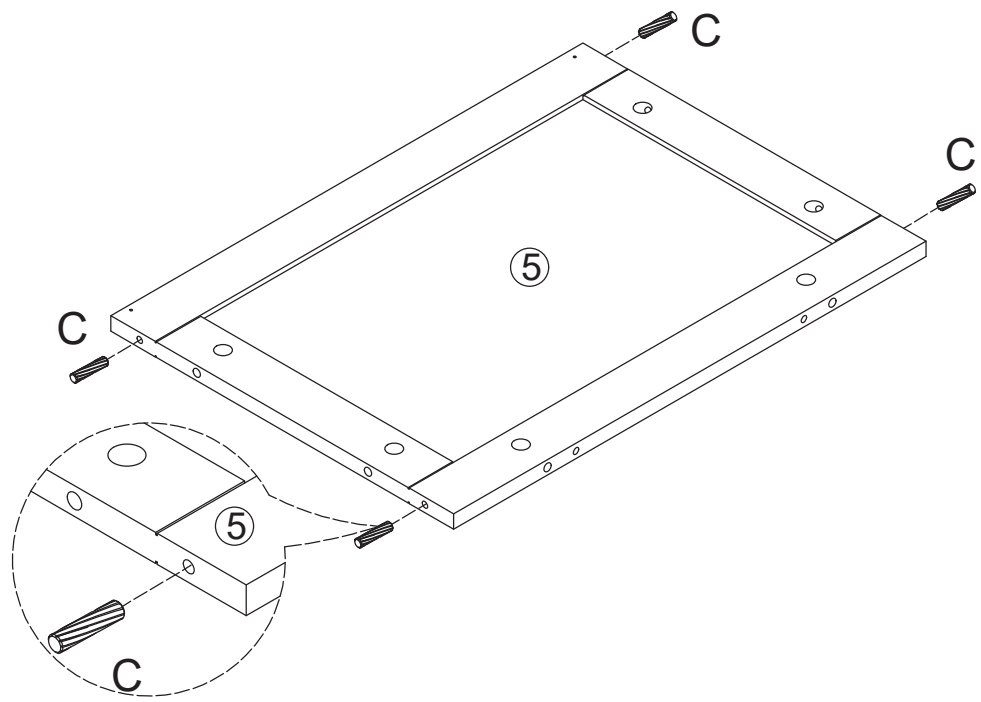
Ø6x55mm

E X4




Ø10x10mm

2

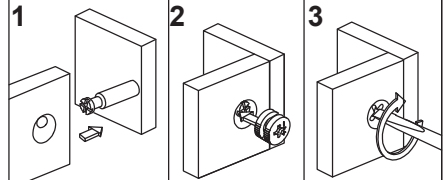
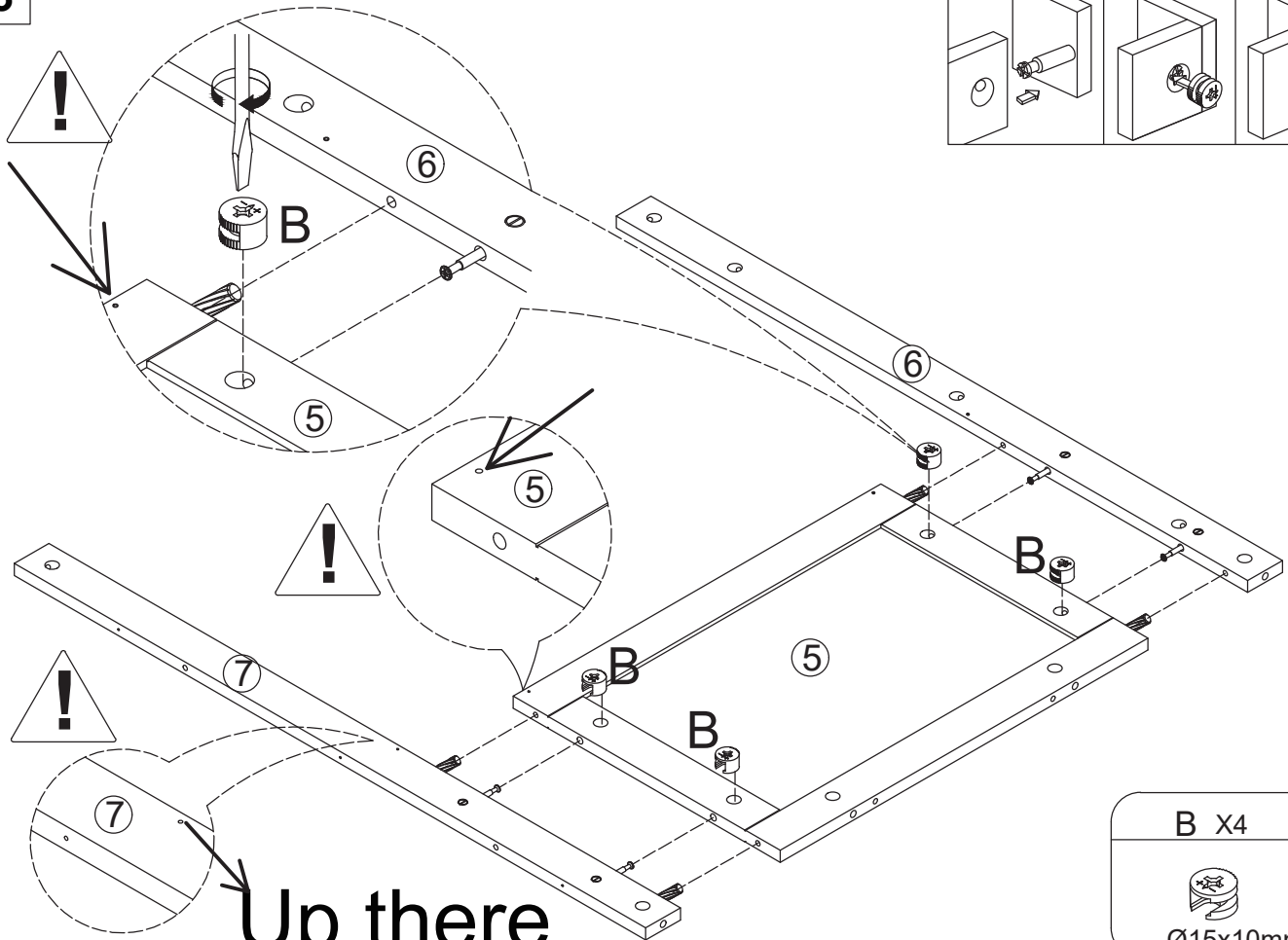



C X4



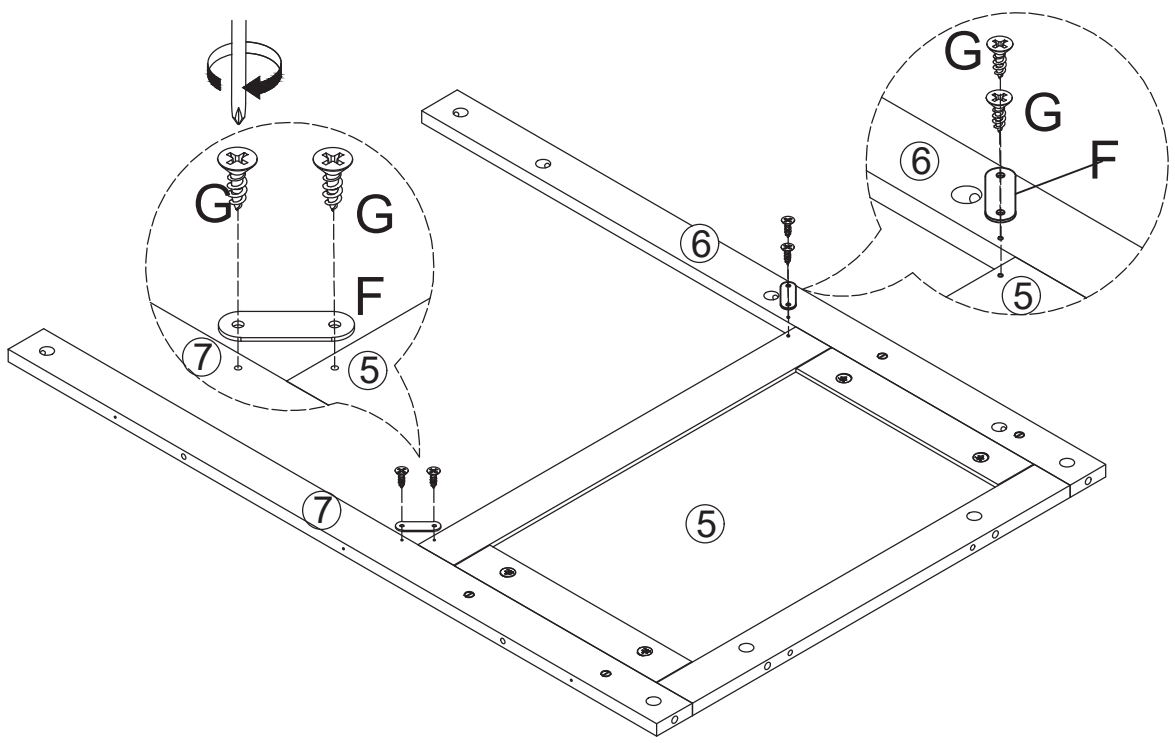
Ø6x30mm


3




B X4

Ø15x10mm

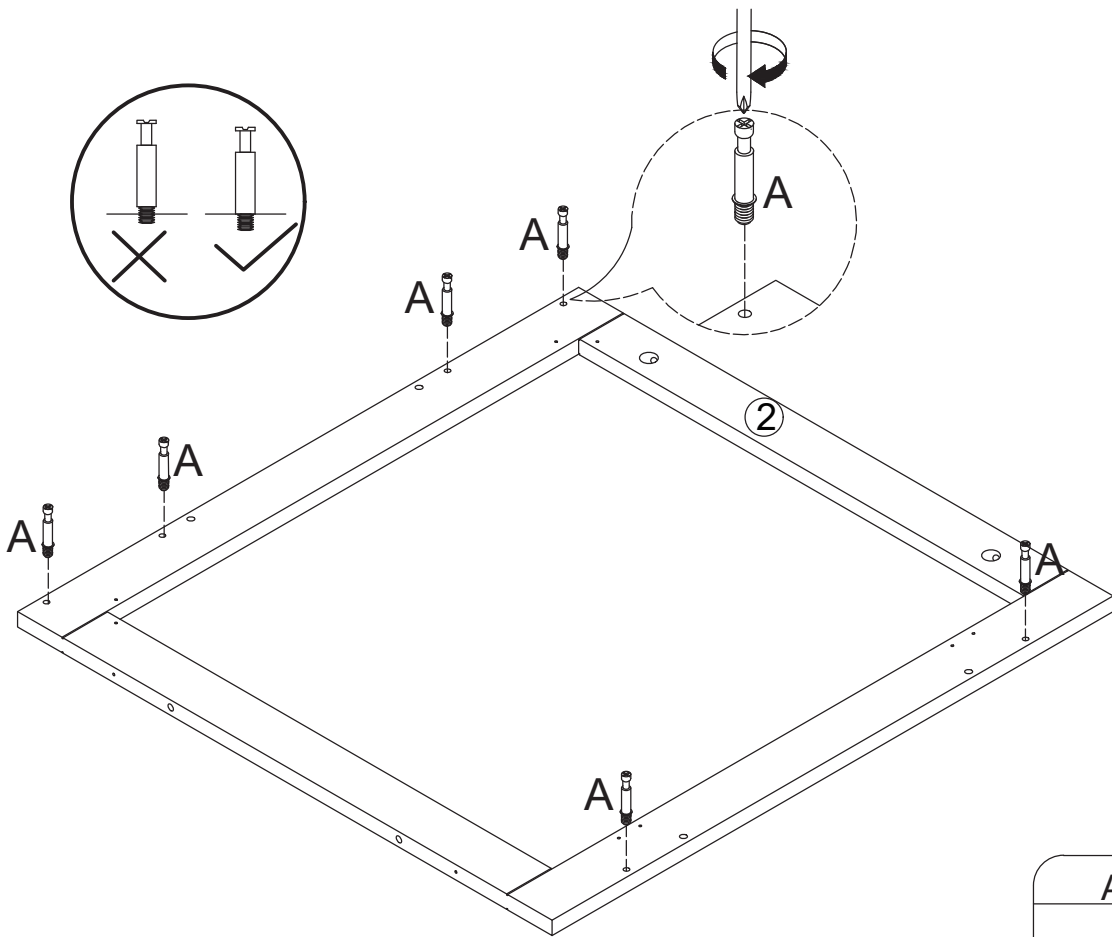
4



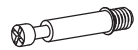
F X2


G X4

Ø3.5x14mm

5

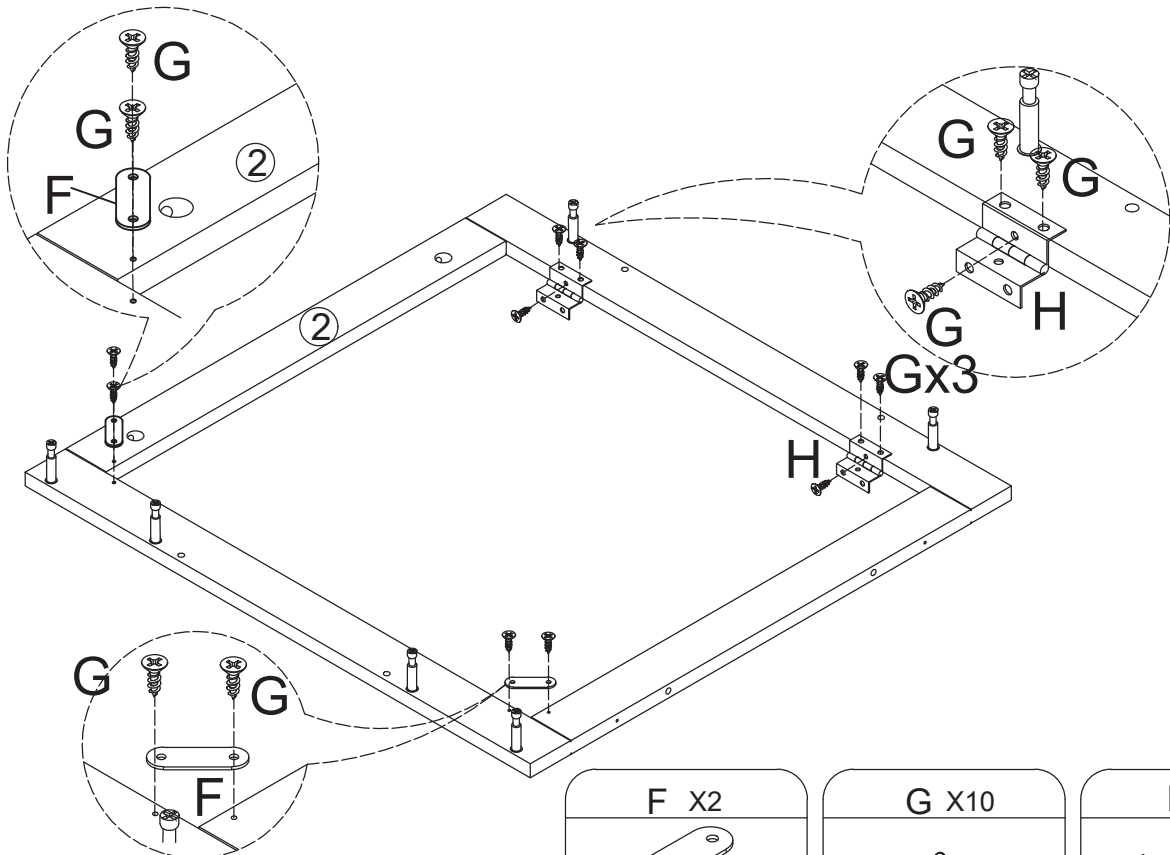


A X6



Ø6x35mm

6



F X2



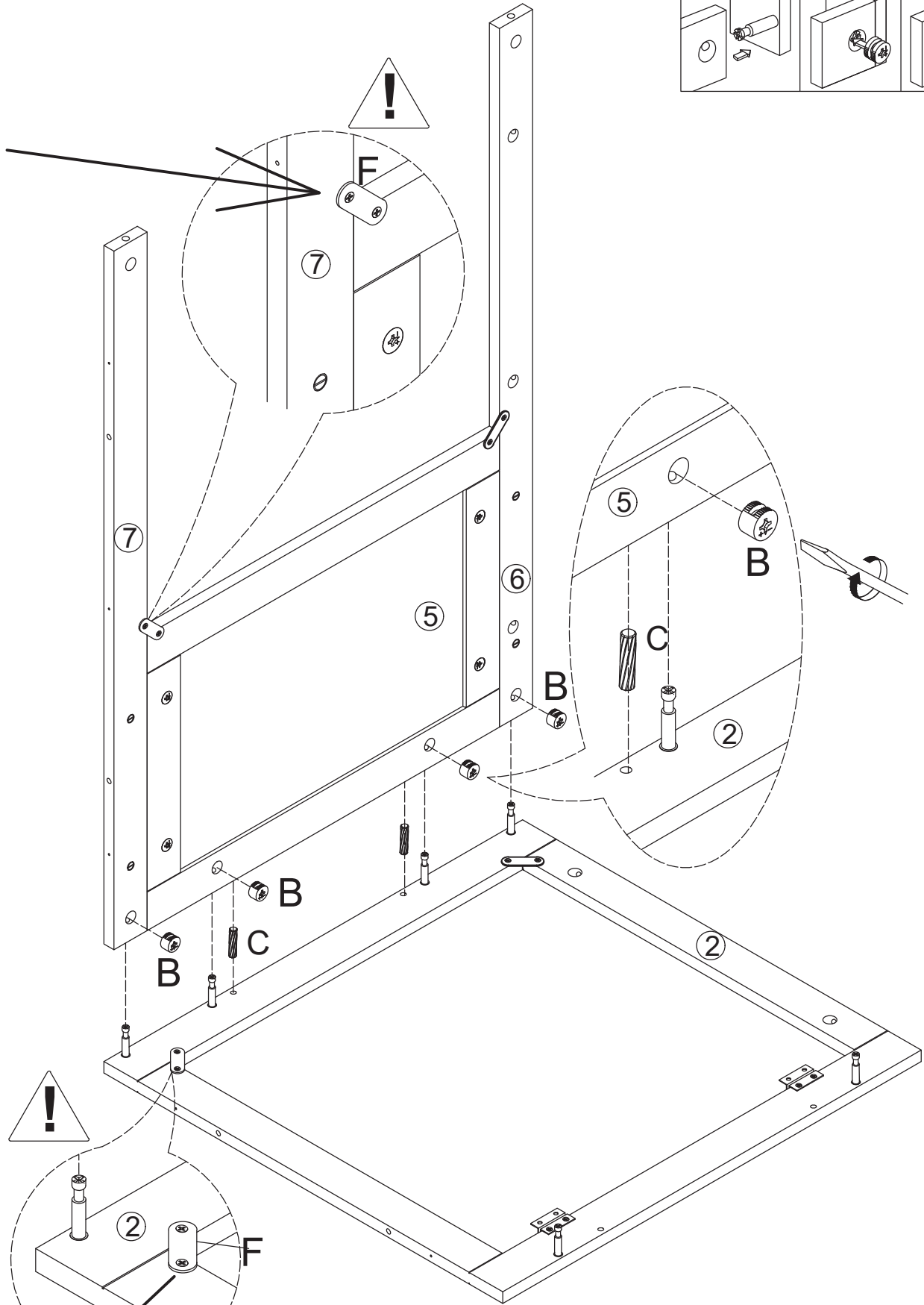
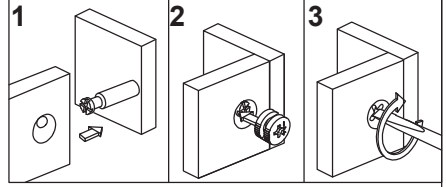
G X10



Ø3.5x14mm


H X2






Down there

B X4

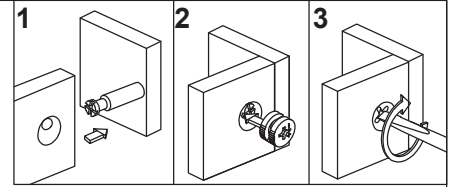


Ø15x10mm

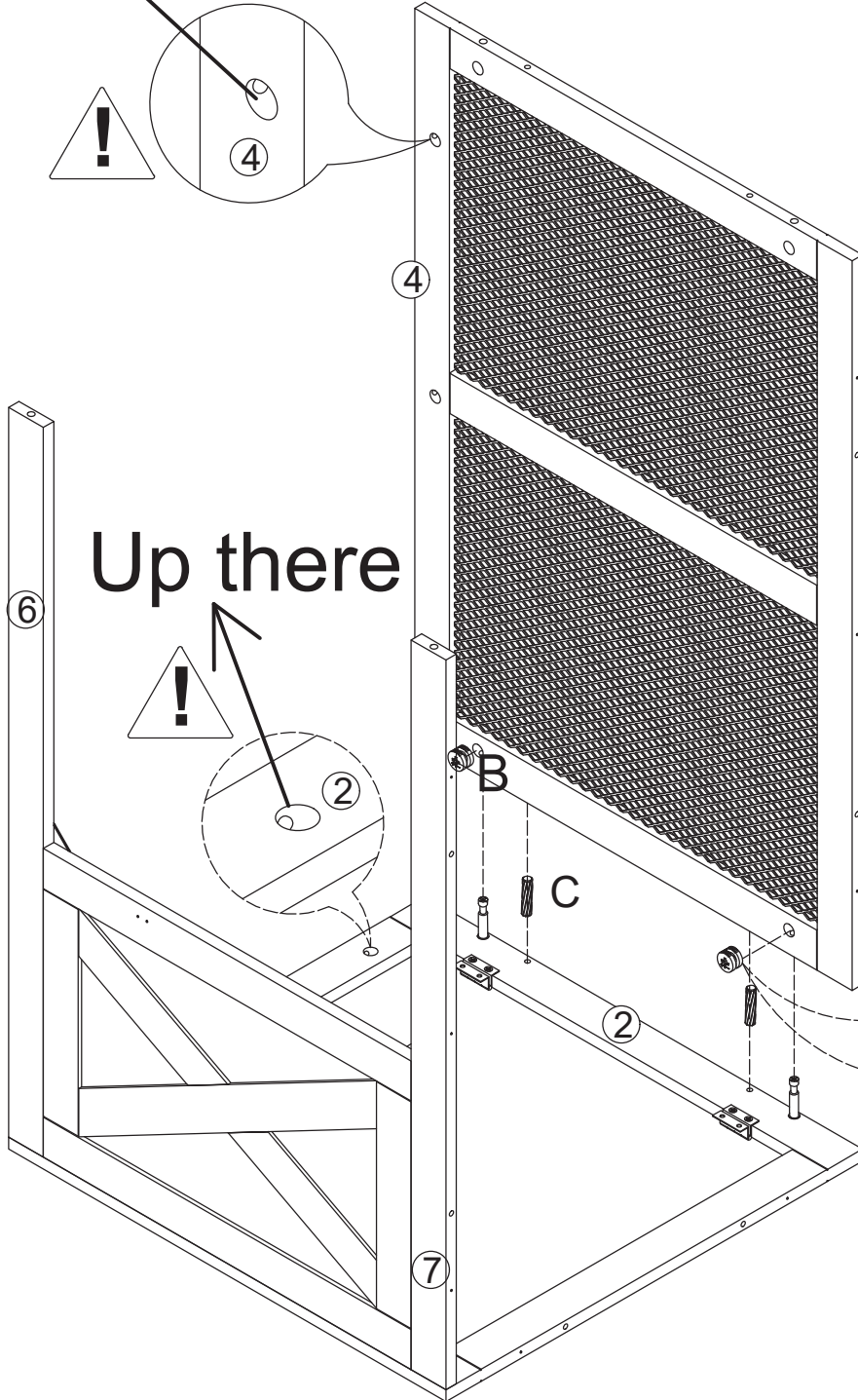
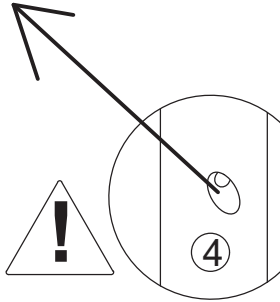
C X2





Ø6x30mm



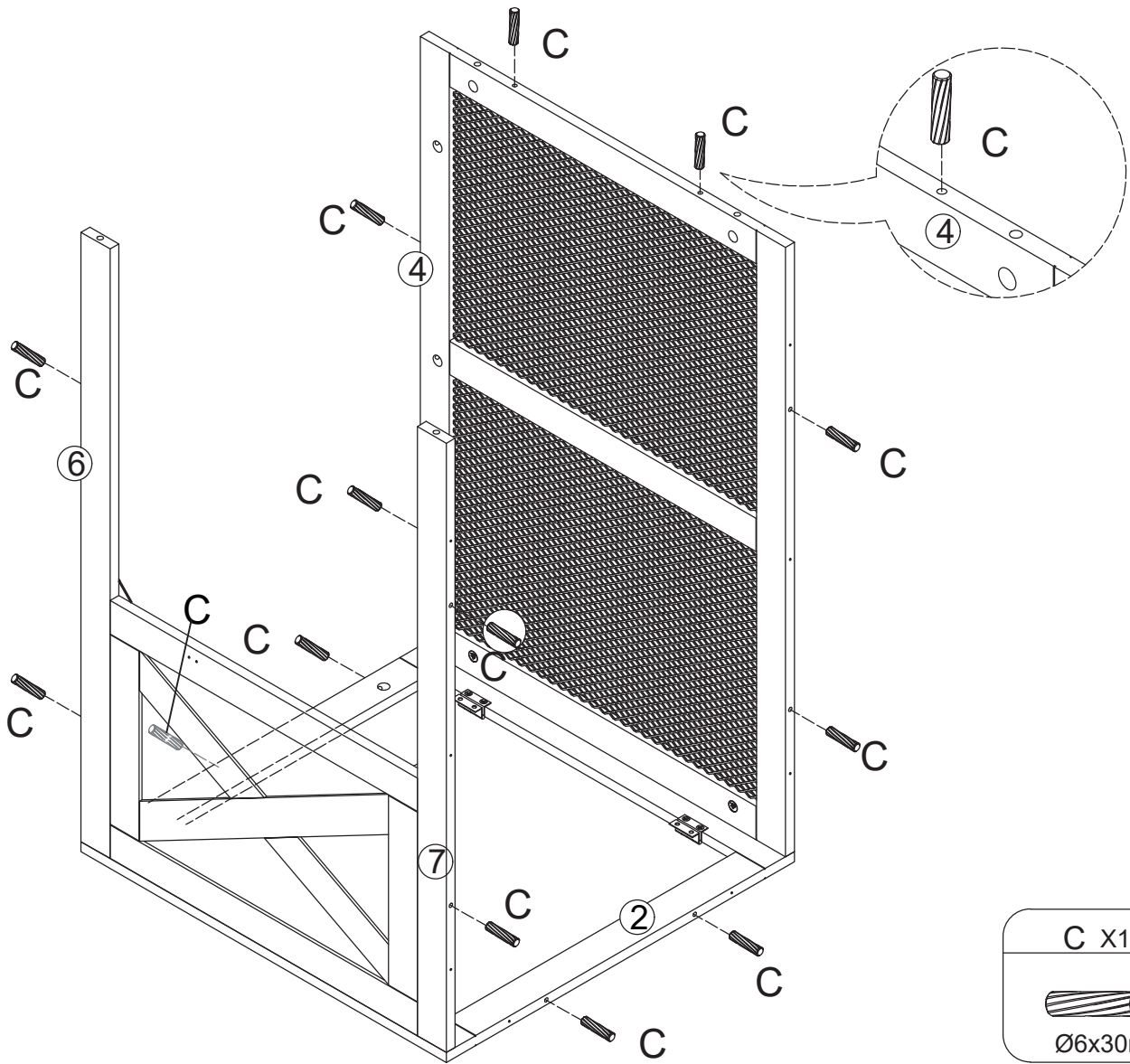
Up there




B X2

Ø15x10mm

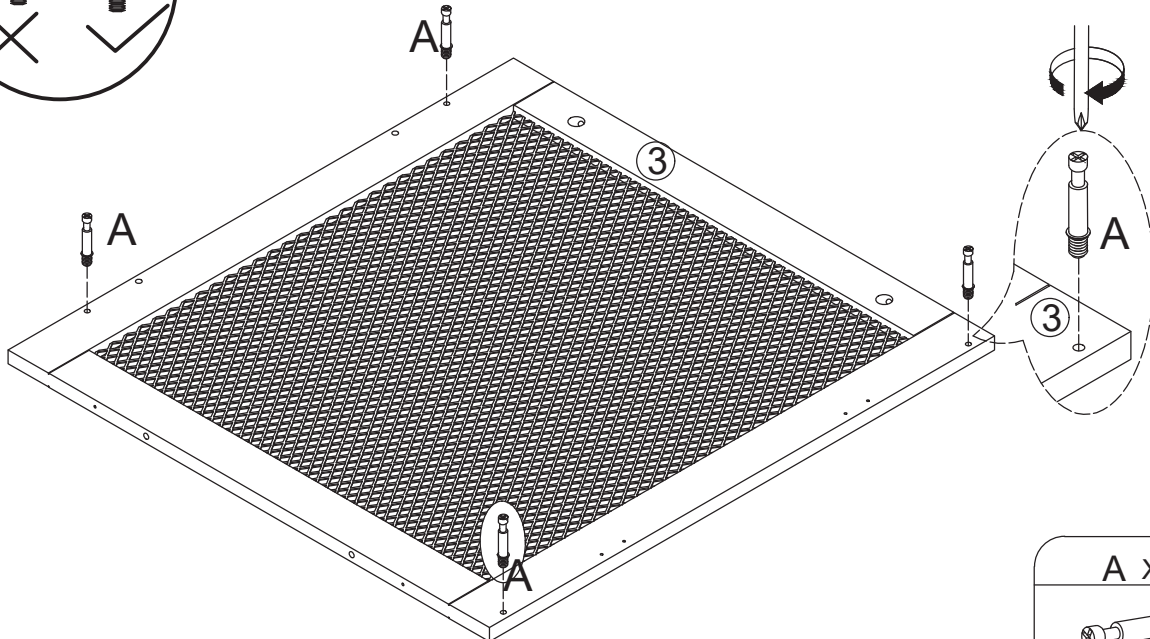
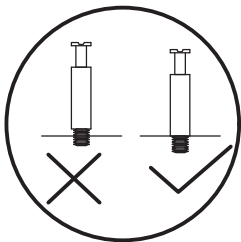
C X2

Ø6x30mm


9

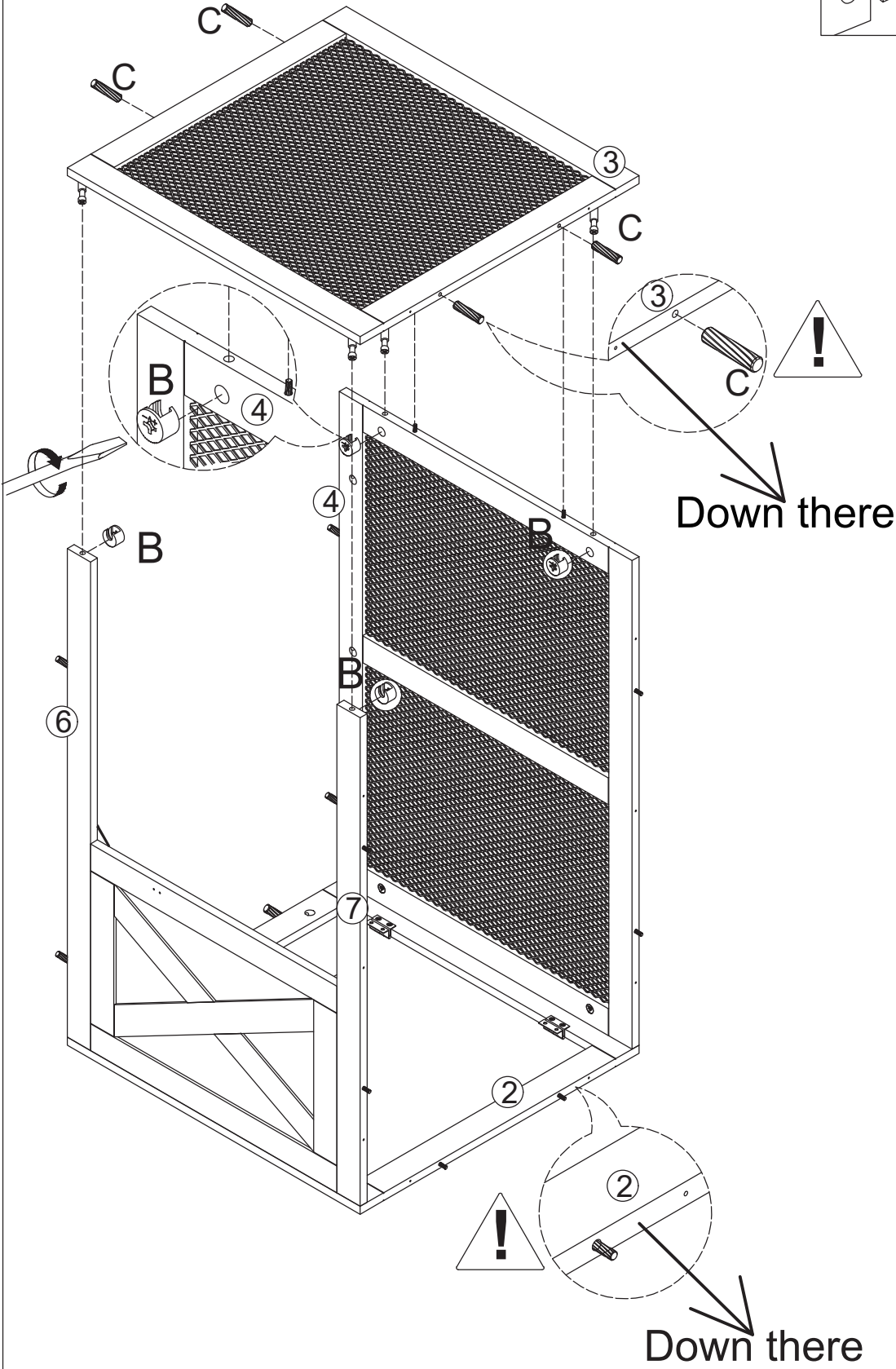
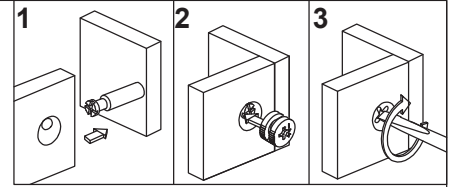


C X14

Ø6x30mm


10



A X4

Ø6x35mm




B X4

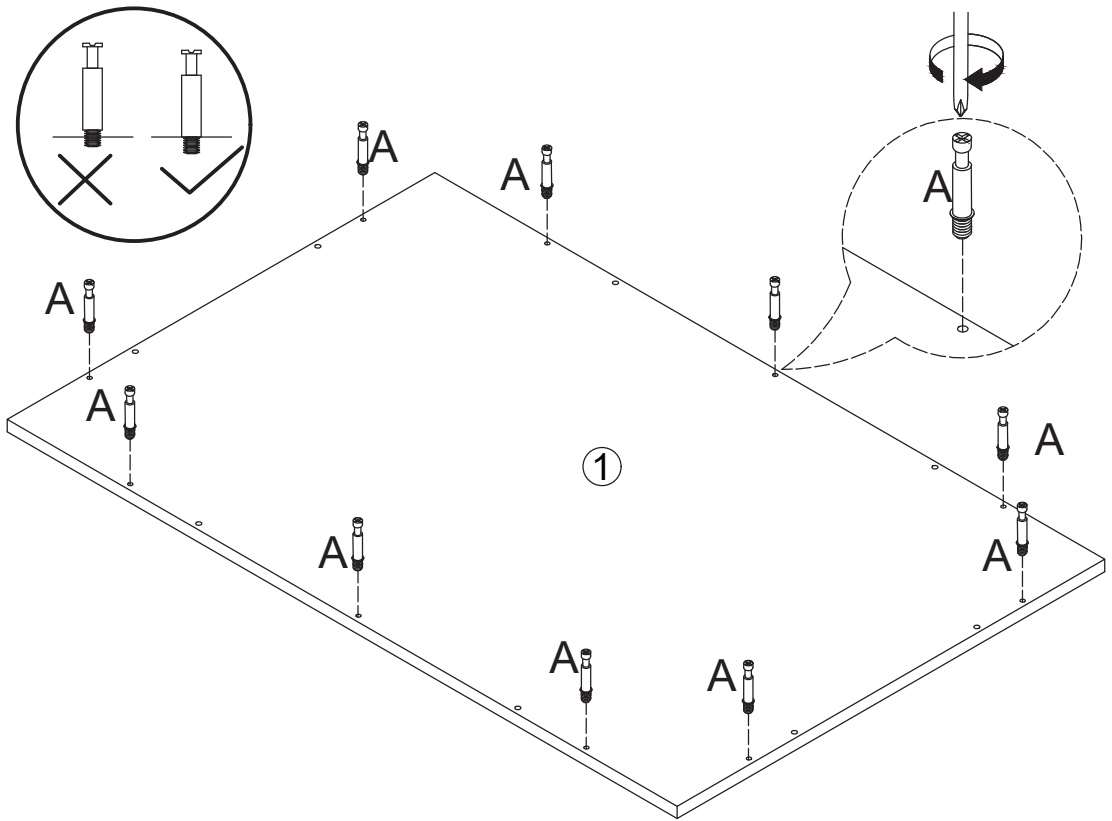


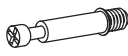
Ø15x10mm

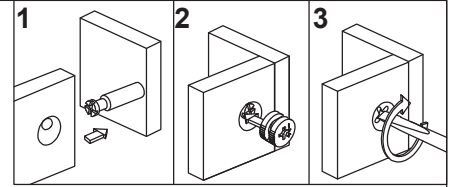
C X4



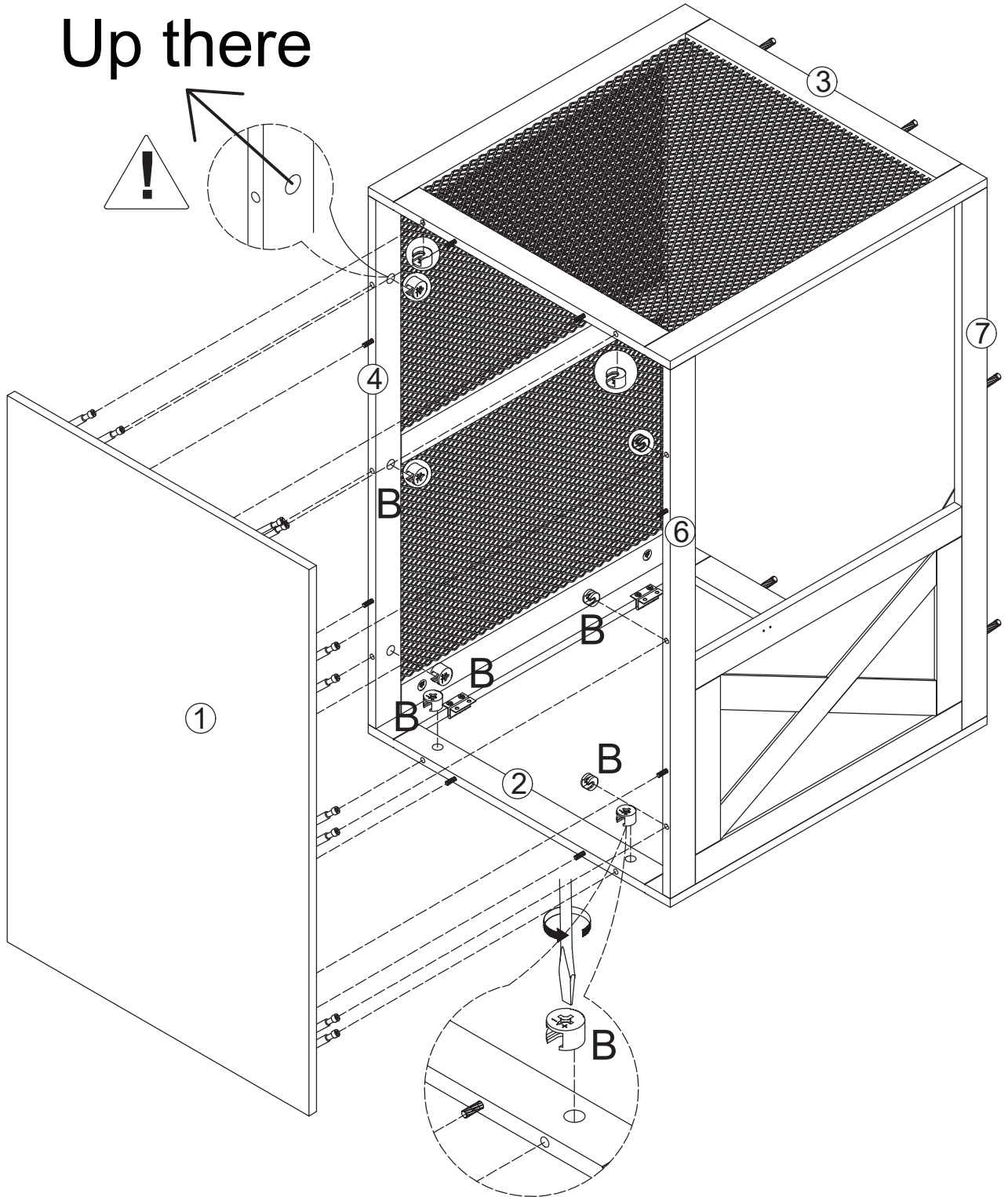
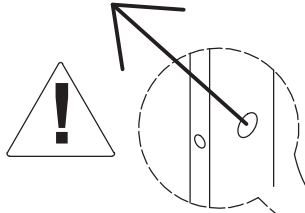
Ø6x30mm



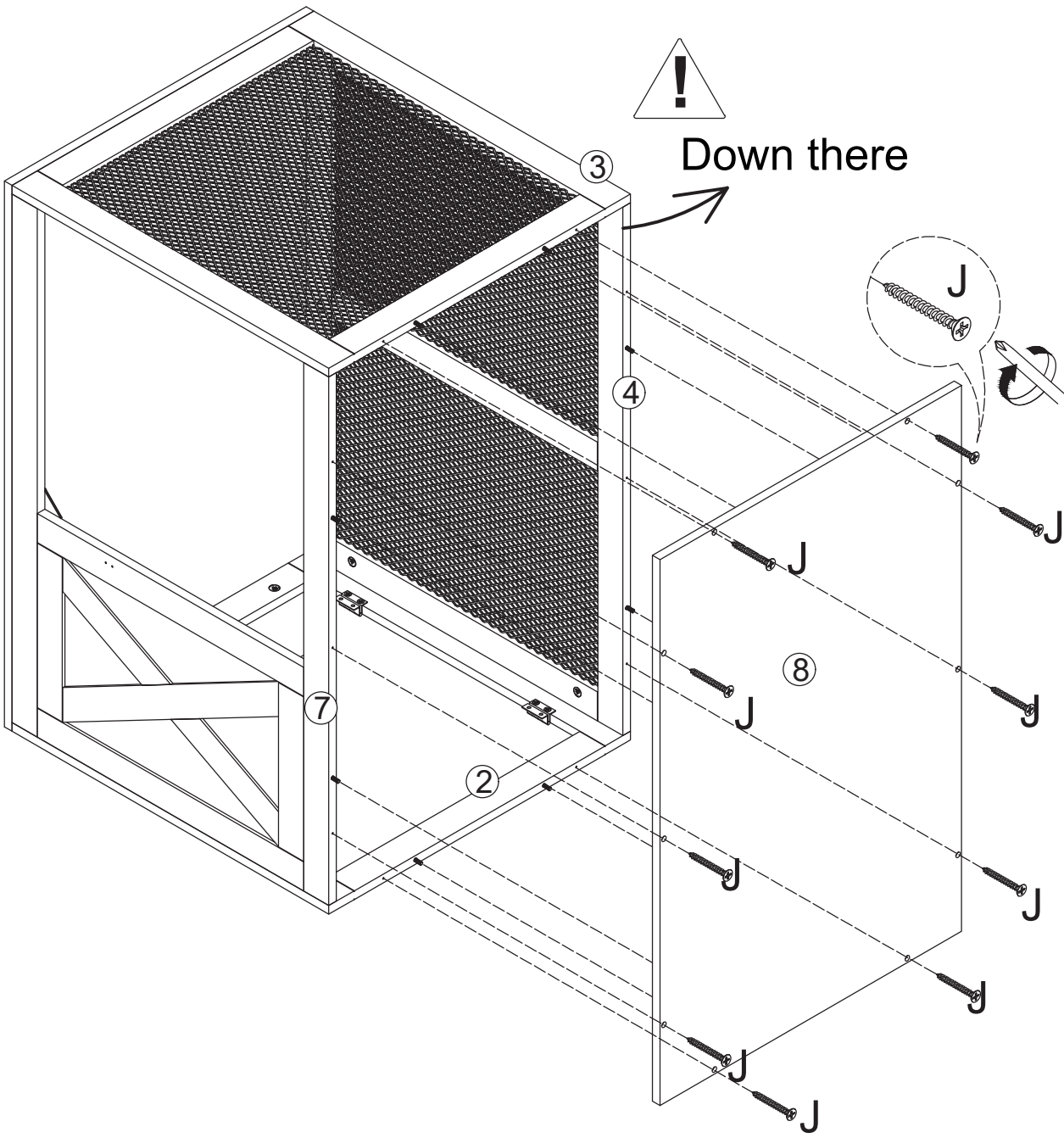
A X10

Ø6x35mm




Up there



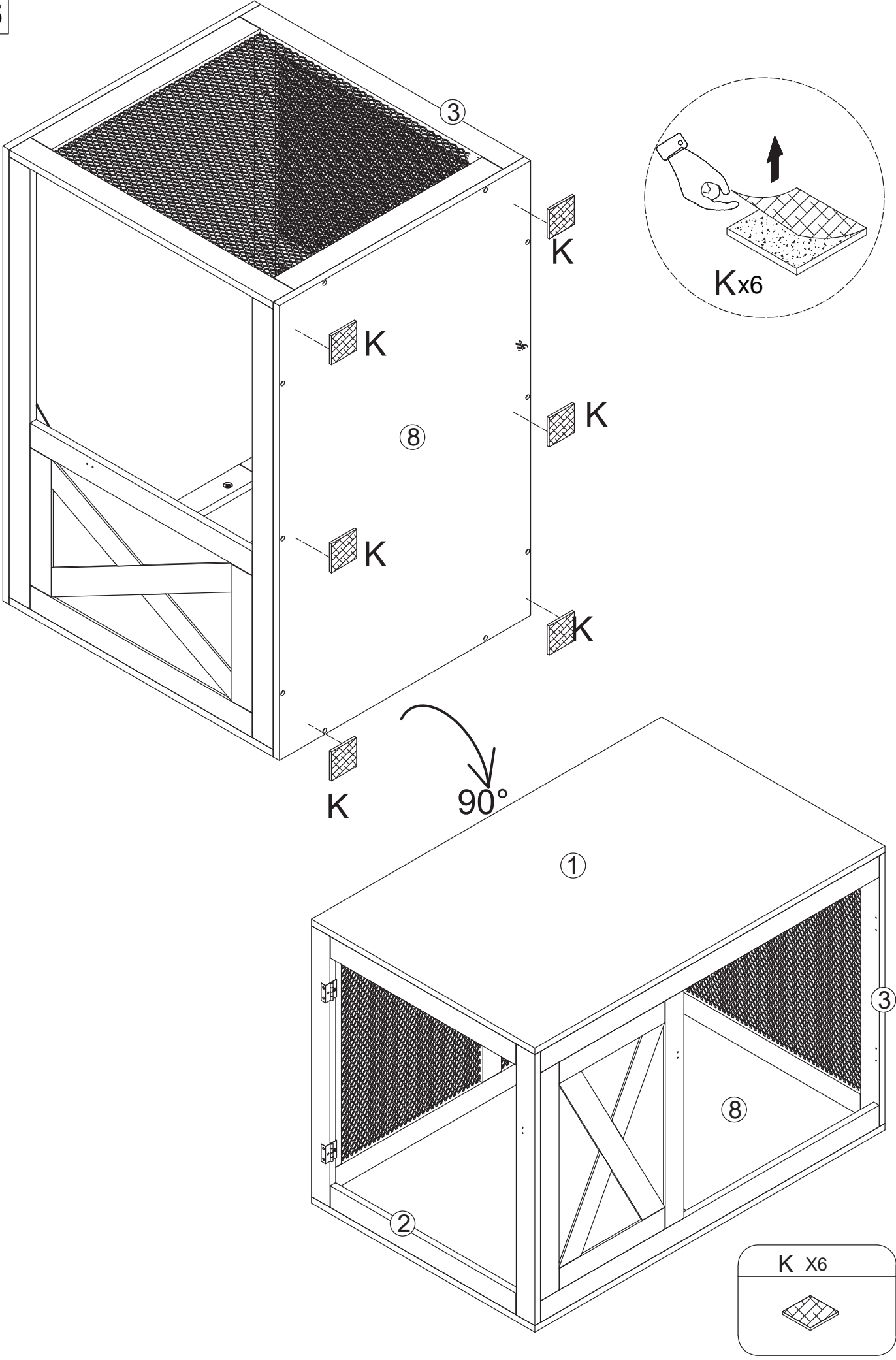
B X10
Ø15x10mm

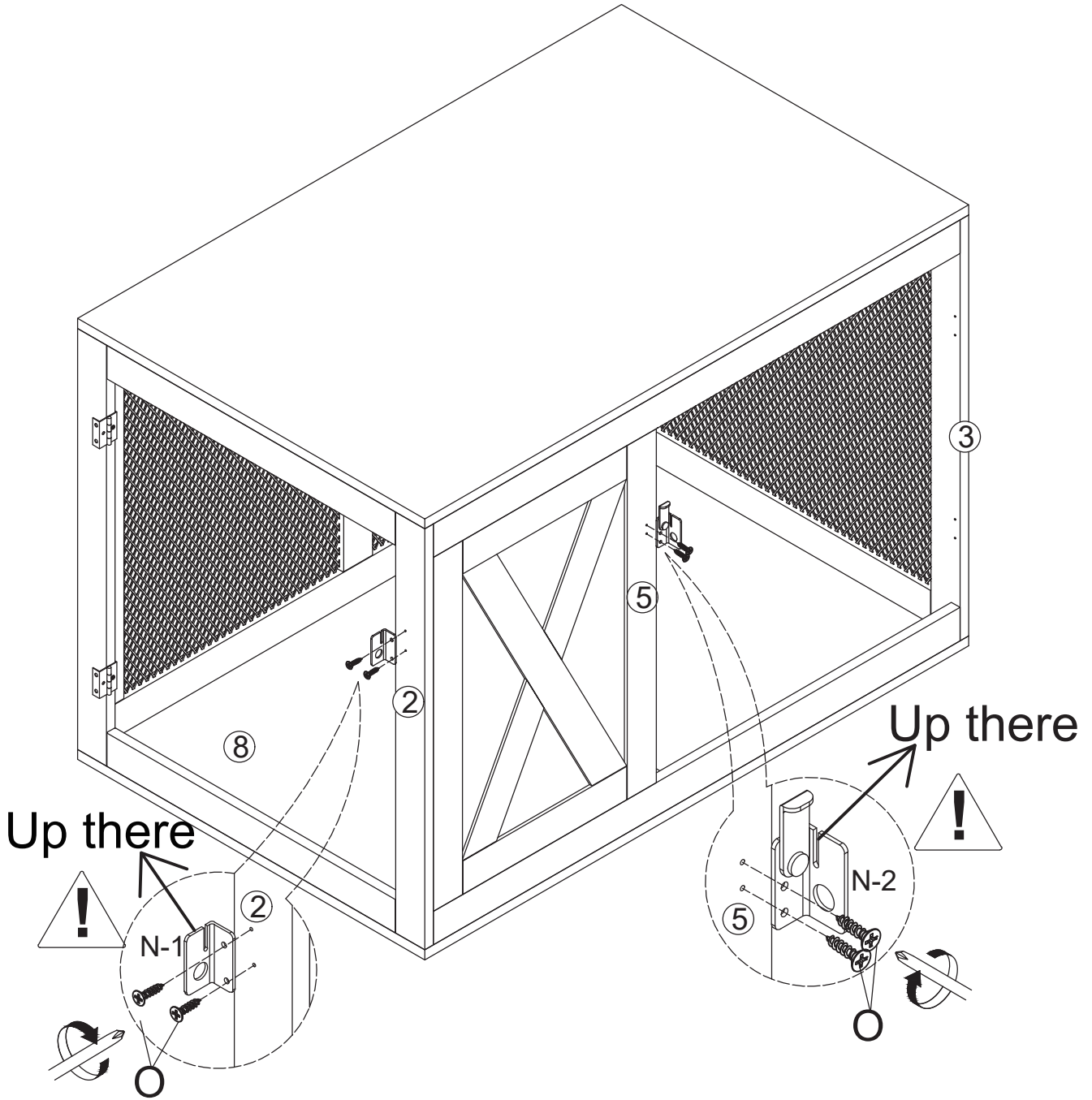


J X10



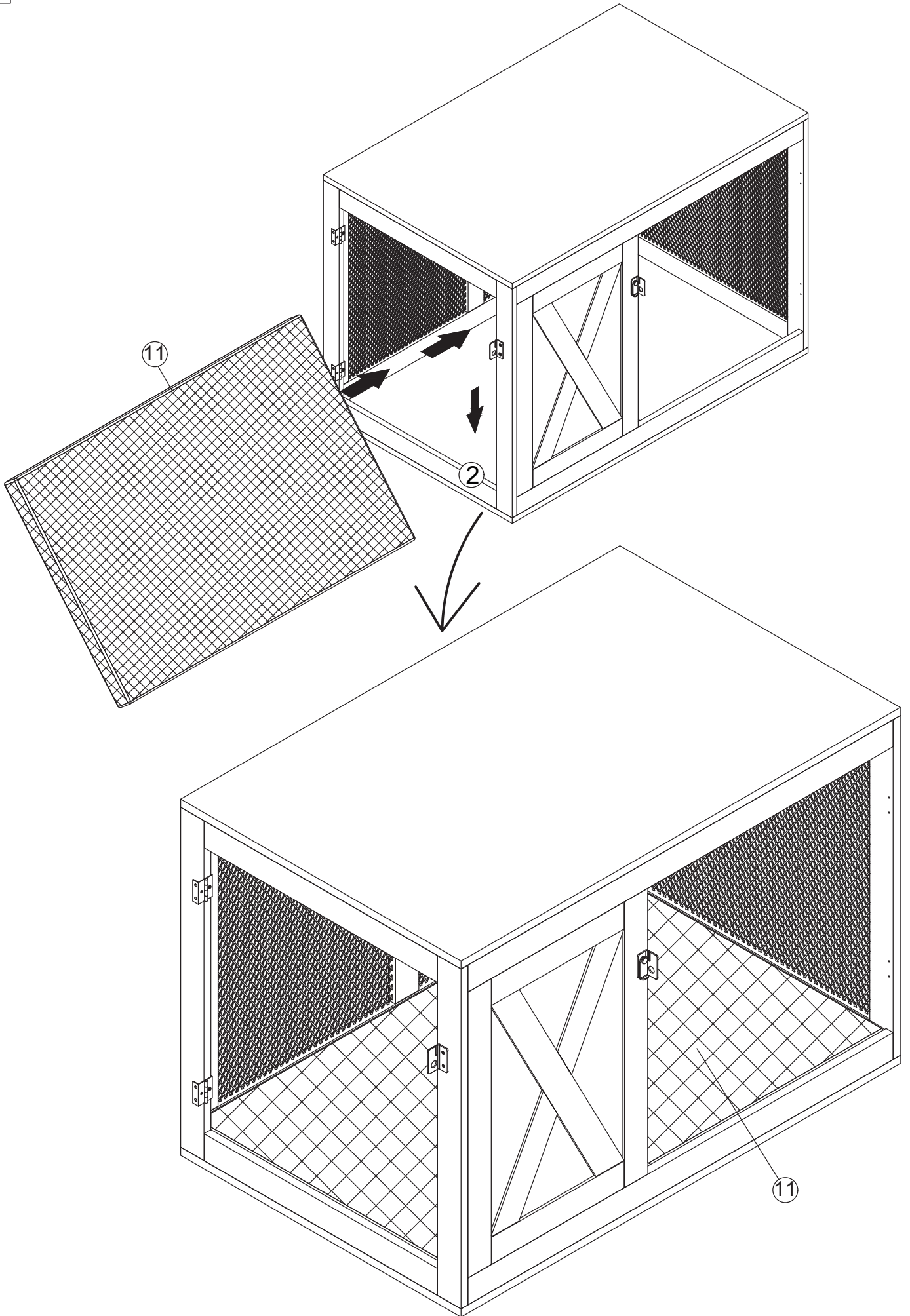
Ø4x40mm



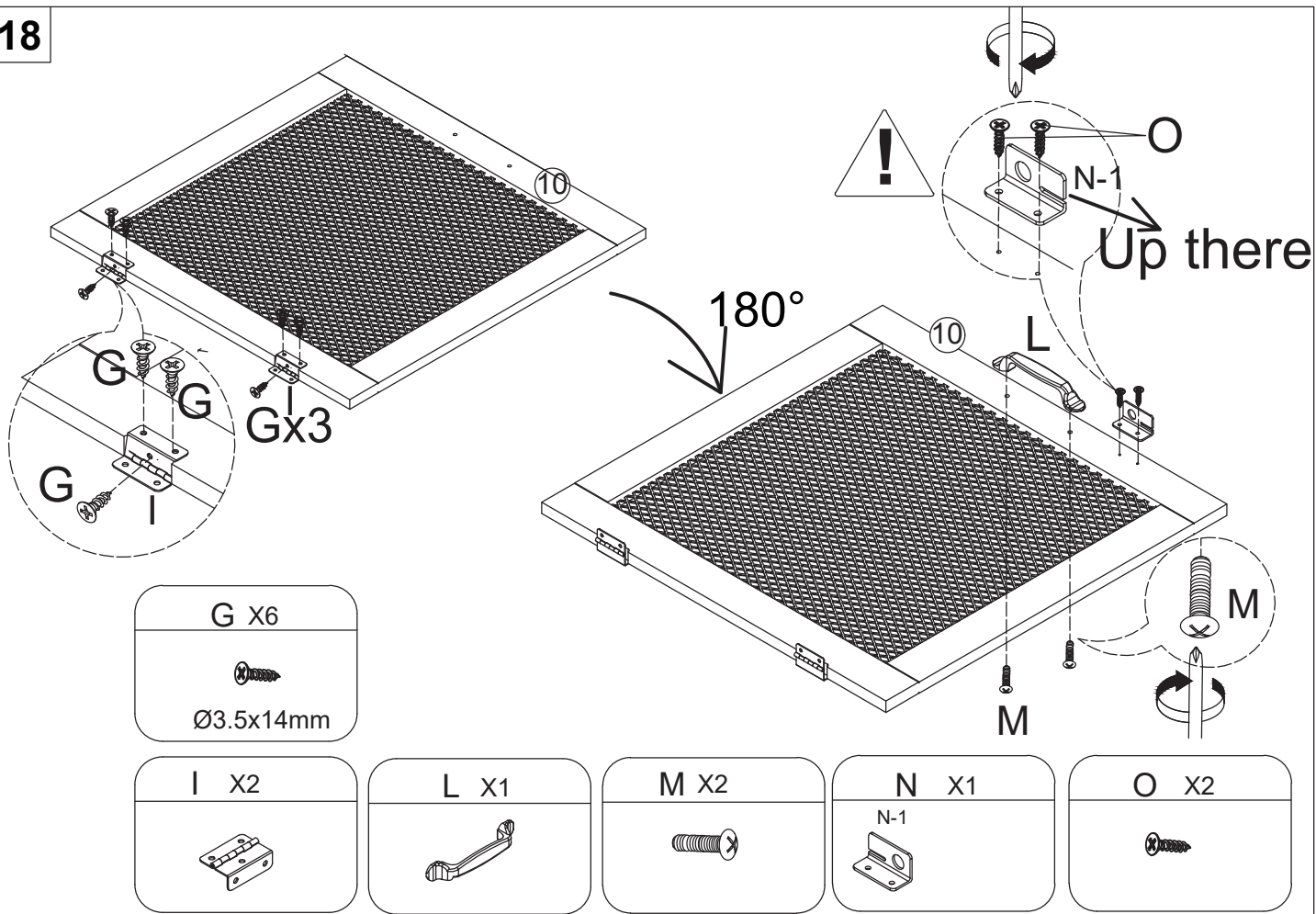


N	X1
N-1	N-2

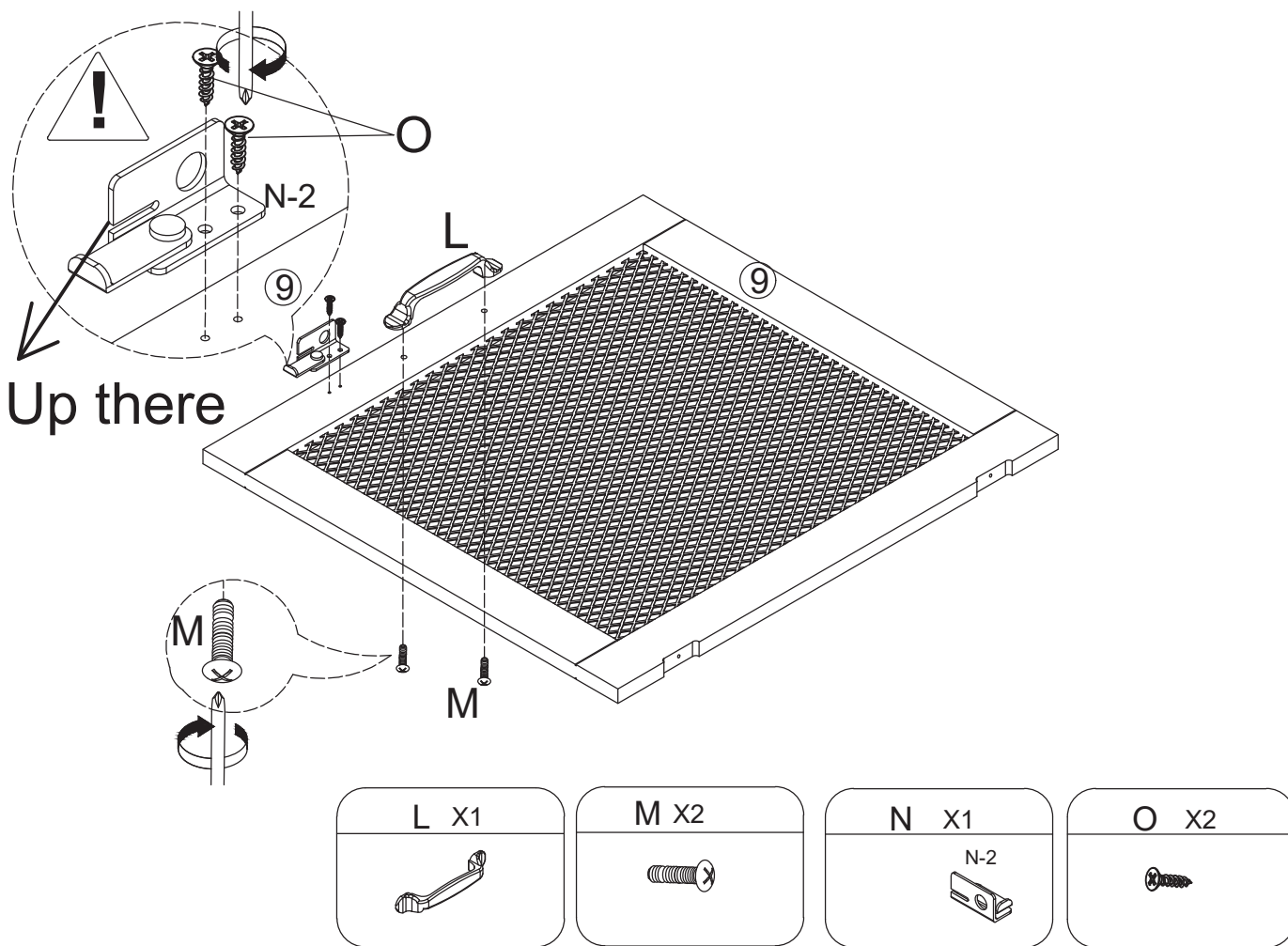
O	X4
---	----

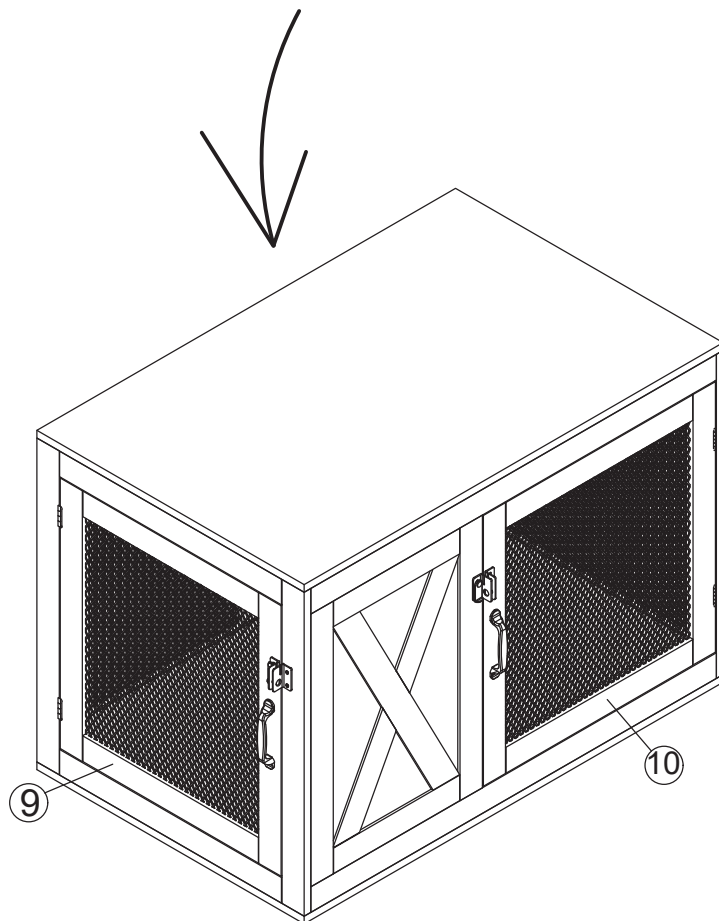
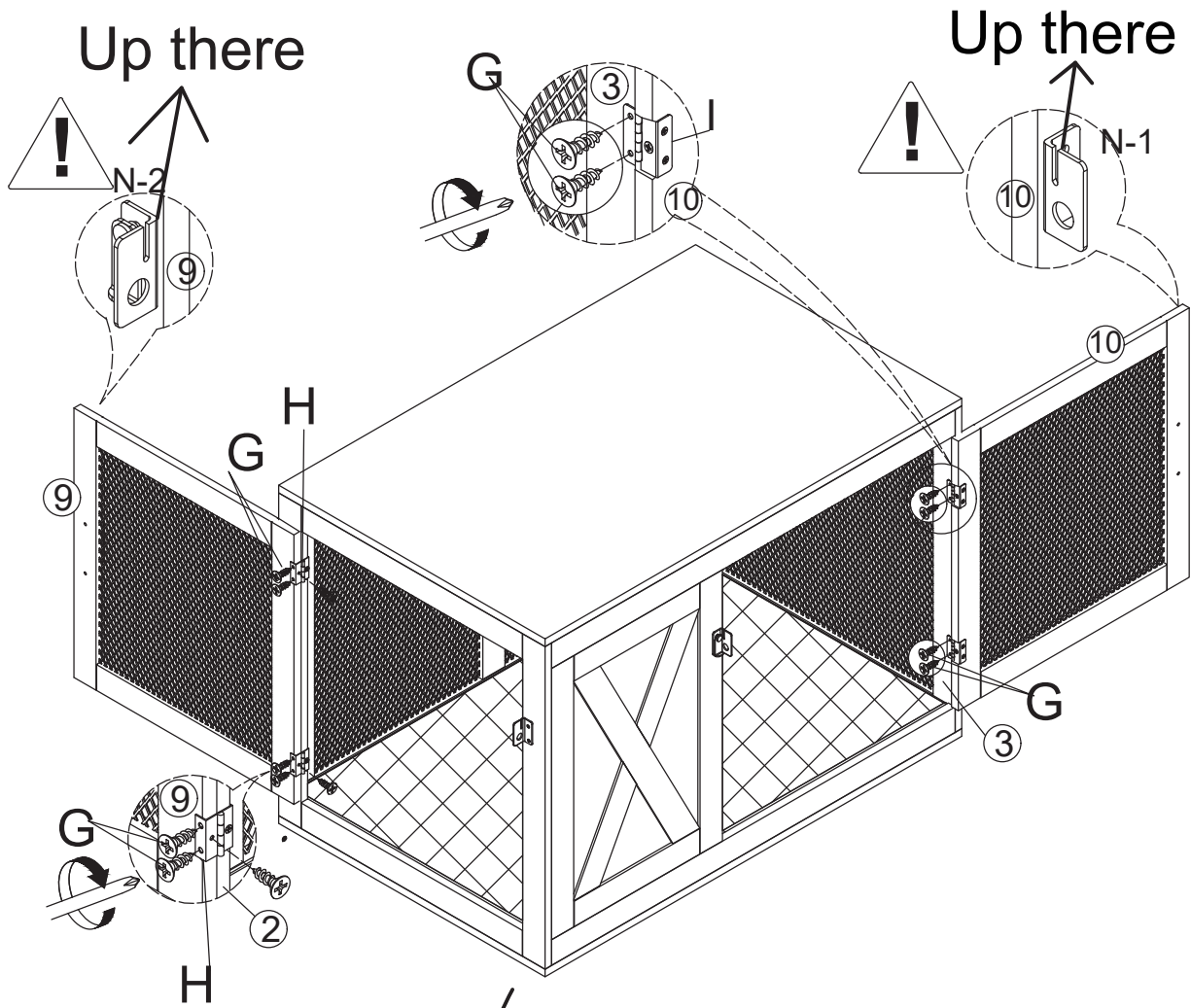


18




19





G X10



Ø3.5x14mm

