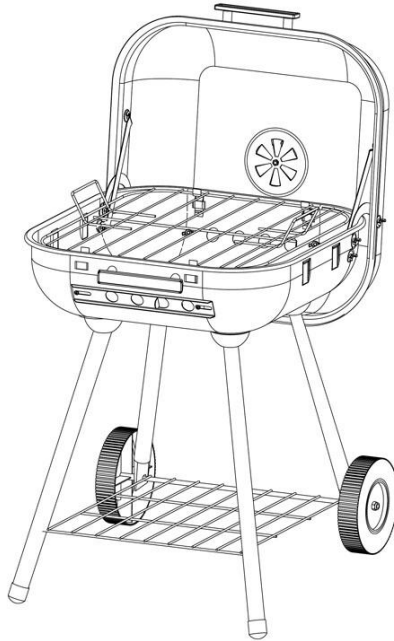




Assembly Instructions



Charcoal Trolley BBQ ITEM 01-0569


- FOR HOUSEHOLD USE ONLY -

-

IMPORTANT SAFEGUARDS

Definitions

Whenever used, the following identify safety and property damage messages and designate a level of hazard seriousness.

 - This is the safety alert symbol. It alerts you to potential personal injury hazards. Obey all safety messages that follow this symbol to avoid possible injury or death.

DANGER - Indicates a hazardous situation, which, if not avoided, will result in death or serious injury. Usage of this signal word is limited to the most extreme situations.

WARNING - Indicates a hazardous situation, which, if not avoided, could result in death or serious injury.

CAUTION - Indicates a hazardous situation, which, if not avoided, may result in minor/moderate injury or product/property damage. It also alerts against unsafe practices.

NOTICE - Addresses practices not related to personal injury, such as product and/or property damage.



READ ALL INSTRUCTIONS BEFORE USE.

 **DANGER**-- To avoid an explosion, serious personal injury, or death:

- Do not use this product near explosive or flammable materials (for example, walls, gasoline, paint, vapors, flammable liquids, or dry vegetation).
- Do not store or use gasoline or other flammable materials, vapors, or liquids in the vicinity of this product when it is in use.
- Never use this product indoors or in an enclosed area. Burning charcoal gives off carbon monoxide, which is toxic to humans and pets. Avoid breathing smoke from the fire or getting it into your eyes.
- Do not store liquid propane (LP) containers near this product.
- Never use as an indoor heater.

⚠ WARNING-- To reduce the risk of fire or serious personal injury:

- Use of alcohol or prescription/non-prescription drugs may impair the user's ability to properly assemble or safely use the product. Do not use this product if you are under the influence of alcohol or prescription/non-prescription drugs.
- This product is not intended for use by children. Extreme caution and close supervision are necessary when using this product near children and pets. Children and pets should be kept at least three feet from the product when it is in use or still hot from use.
- Do not leave the product unattended (not looked after or watched) while it is in use or until the fire is extinguished.
- Always place the product outdoors in an open, well-ventilated area on a flat, level, stable, heat-resistant surface. Never place the product under a balcony, on a wooden deck, under or near trees, rooflines, or any other surface that may be damaged by heat or smoke.
- Never use this product during winds exceeding 15mph or severe weather conditions.
- Do not move the product when it is heated or in use. Allow the product to thoroughly cool before moving, handling, cleaning, or storing it.
- Use only charcoal briquettes with charcoal lighter fluid, or pre-soaked charcoal briquettes to initiate use of the product. If using charcoal lighter fluid, add it before lighting the charcoal. Never use lighter fluid on a fire or on embers.
- Do not touch hot surfaces. Always wear protective, heat-resistant, non-flammable mitts/gloves when lifting the Lid by the Handle or adding/removing food from the Cooking Grid.
- Do not reach into an open flame. Do not allow clothing, hair, or body parts to contact an open flame.
- Do not allow clothing, hair, or body parts to contact a hot surface or a hot coal.
- Do not use this product in or near recreational vehicles, including boats.
- Use care when lighting the coals, as flames may rise quickly. Keep face, hair, and clothes away from the flame.
- Do not repaint the product.
- Do not build large fires in this product. It is intended for small to medium fires only.

⚠ CAUTION-- To reduce the risk of personal injury:










- This product is intended solely for outdoor, non-commercial, non-industrial use in cooking foods for human consumption. Do not use the product indoors or for any other purpose.
- Do not use attachments not recommended or sold for this product by the product manufacturer.
- Always use heat-resistant utensils with the Grill.
- Inspect the product before each use for wear and tear and loose hardware. Tighten any loose Nuts or Bolts.













NOTICE-- To avoid product/property damage:

- Water may be used to extinguish coals, but do not put water in or on the product while it is hot. Always make sure coals have cooled and do not glow with heat before extinguishing them with water.

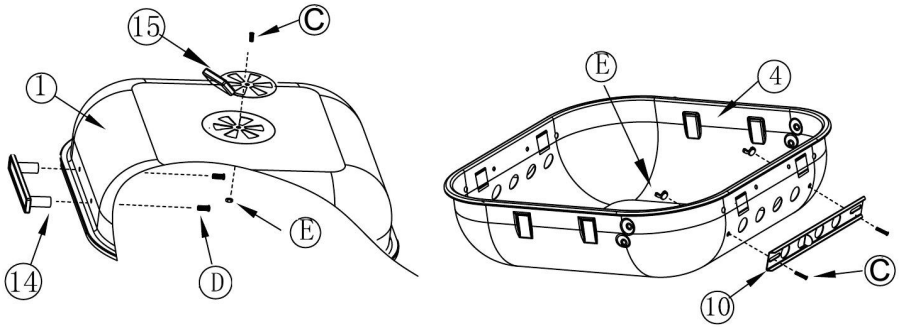
**SAVE THESE INSTRUCTIONS
FOR FUTURE REFERENCE**

PART LIST

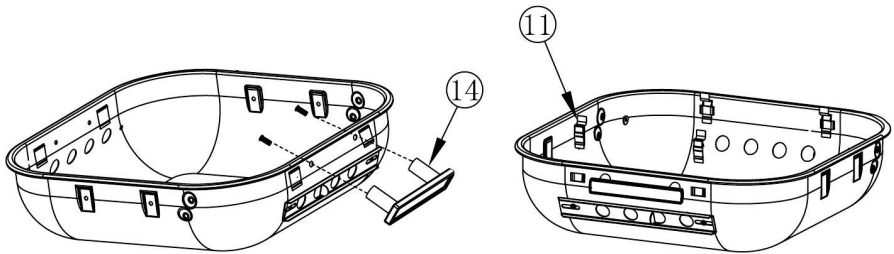
NO.	Part	QTY.	Picture
1	Cover	1	
2	Cooking Grid	1	
3	Charcoal Grid	1	
4	Body	1	
5	Leg Cup	4	
6	Wheel	2	
7	Front Leg	2	
8	Back Leg	2	
9	Shelf	1	
10	Air Vent Control	2	
11	Cooking Grid Holder	4	
12	Short Hinge	2	
13	Long Hinge	2	
14	Handle	2	
15	Air Vent Set	1	

A			M5x30 Screw 4 PCS
B			M8 Nut 2 PCS
C			M5x12 Screw 13 PCS
D			M6x12 Screw 4 PCS
E			M5 Wing Nut 13 PCS
F			Washer 4 PCS

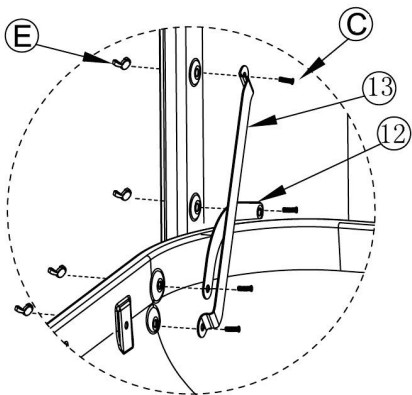
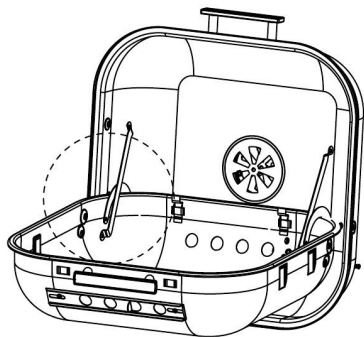
STEP 1:



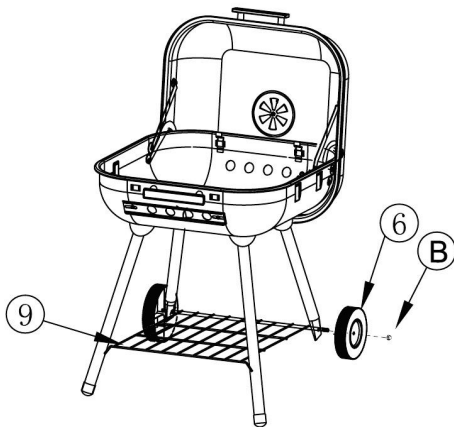
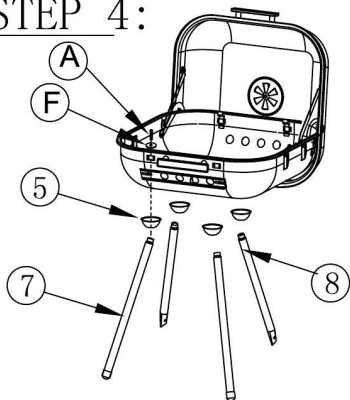
STEP 2:



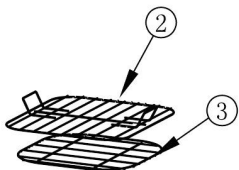
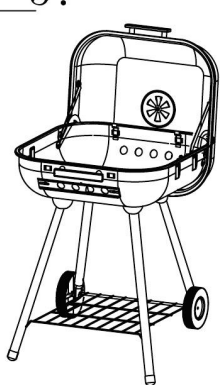
STEP 3:



STEP 4:



STEP 5:



Care and Maintenance

WARNING: Allow the Grill to completely cool before cleaning or otherwise handling it.

NOTICE: Do not use harsh or abrasive cleaners, degreasers, oven cleaners, metal scouring pads or brushes, or solvents on the Grill to prevent scratches and damage to the finish.

- Store indoors or in a sheltered outdoor location when not in use.

Rust on Metal Finishes:

Rust and corrosion are unavoidable when metal products are used outdoors. Rust is the chemical reaction between oxygen, water, and metal. All metal will rust or corrode in some manner over time with exposure to the elements.

To help prevent rust and corrosion:

- Keep the product out of rain and other inclement weather as much as possible.
- Avoid causing nicks in the metal, each nick is a place for oxygen and water to contact the metal and start rust formation.