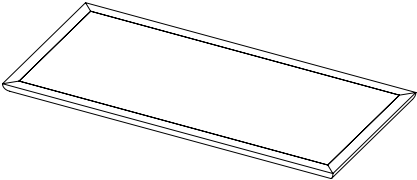
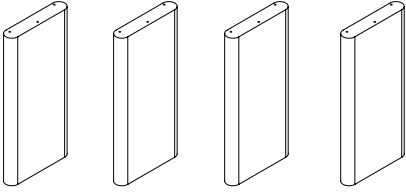


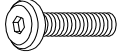

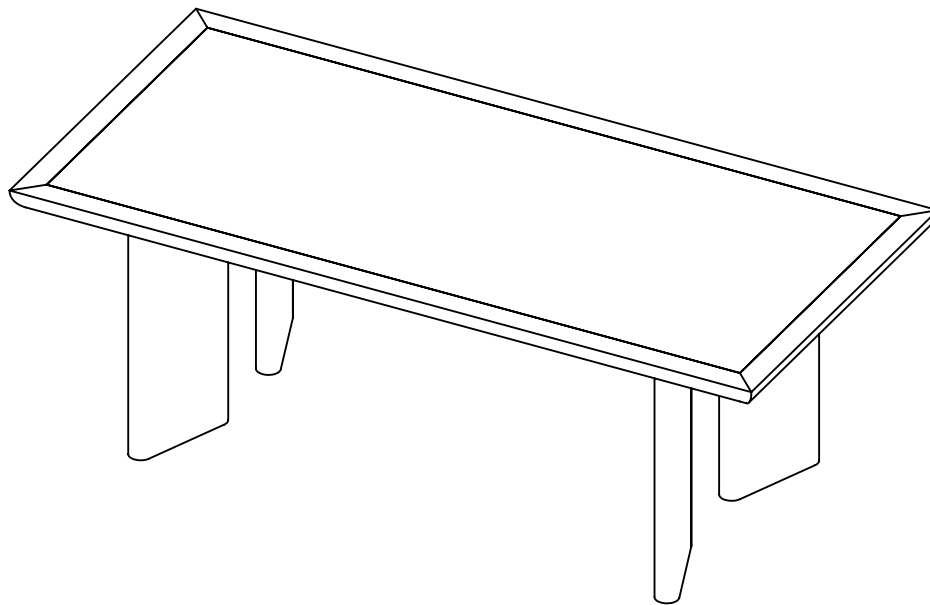


# ASSEMBLY INSTRUCTIONS

## PARTS LIST

A	TABLE TOP x1					<p><b>Before Beginning</b></p> <ol style="list-style-type: none"> <li>1 - Carefully unpack and position the item on a clean, non-marring surface to assemble.</li> <li>2 - Read this Assembly Instructions from beginning to end before starting to assemble.</li> <li>3 - Take an inventory of the required parts to ensure all are available.</li> <li>4 - To prevent accidental choking hazards, keep all packing materials away from small children.</li> </ol>	
B	LEGS x4					<ol style="list-style-type: none"> <li>5 - Only tighten hardware until ALL hardware are fully engaged on their locations. Overtighten bolts will damage the bolt threads.</li> <li>6 - Use only factory provided hardware to assemble. Unapproved hardware can damage product or jeopardize the structural integrity of the product.</li> <li>7 - The use of power tool to assemble is not recommended due to high risk of over-torque, which can damage the product.</li> </ol>	
Z	HARDWARE	<p>Z1</p>  <p>Ø15MM x 10MM x 12</p>	<p>Z2</p>  <p>Ø25MM x 10MM x 12</p>	<p>Z3</p>  <p>M8 x 25MM x 12</p>	<p>Z4</p>  <p>M5 x 120MM x 1</p>		



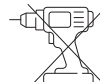
TWO PEOPLE



15-MINUTE  
ASSEMBLY TIME

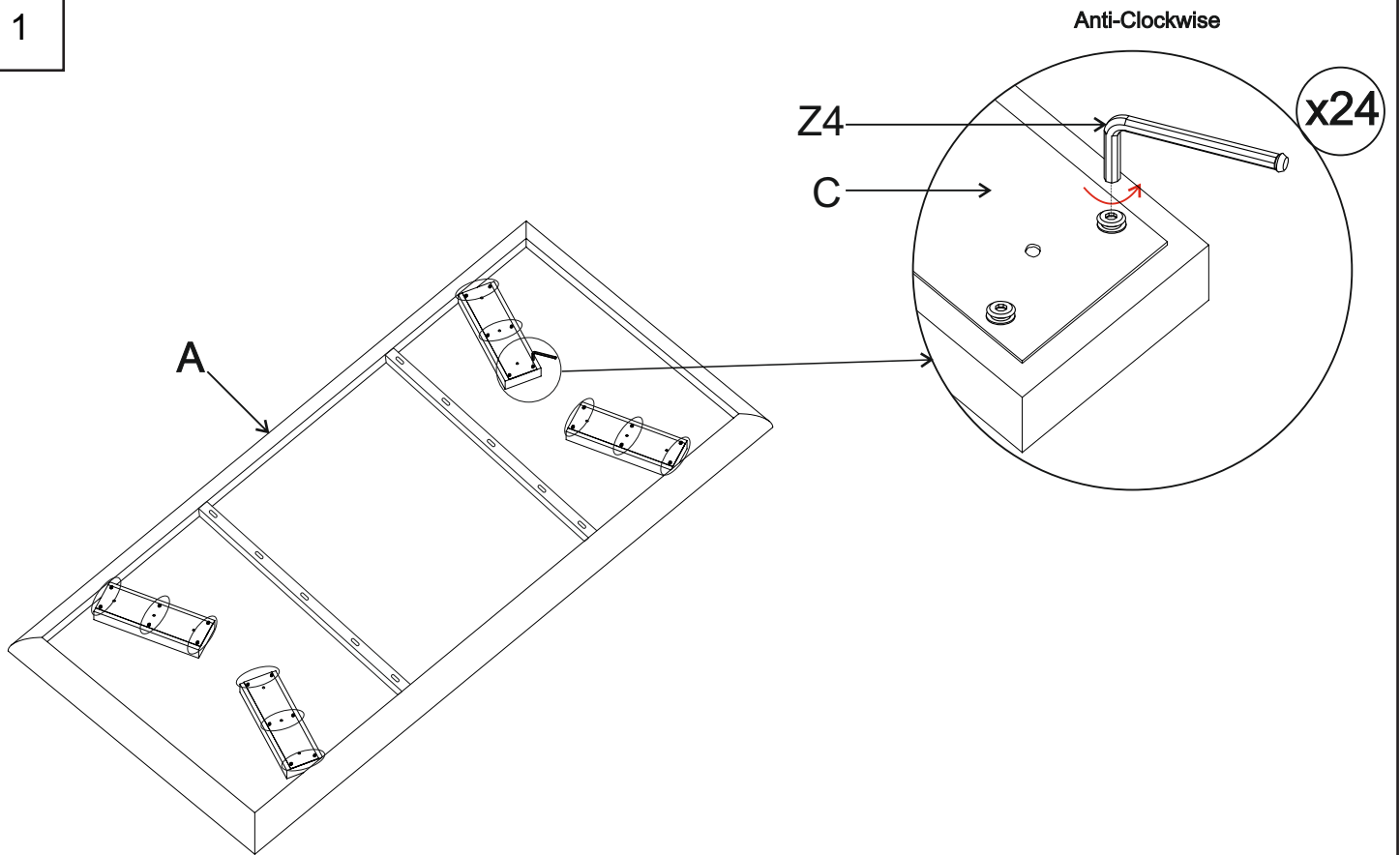


KEEP INSTRUCTIONS  
FOR FUTURE USE

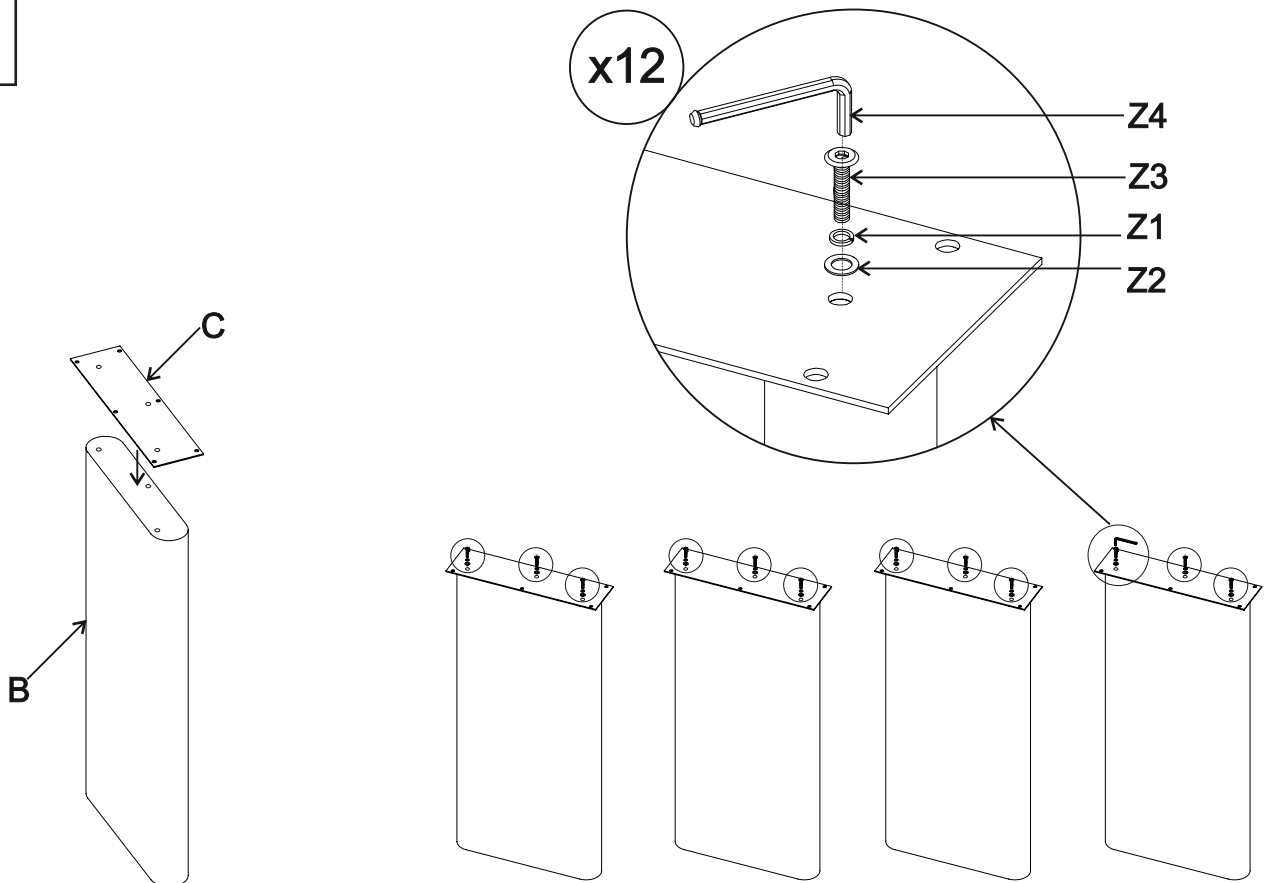


# ASSEMBLY INSTRUCTIONS

1

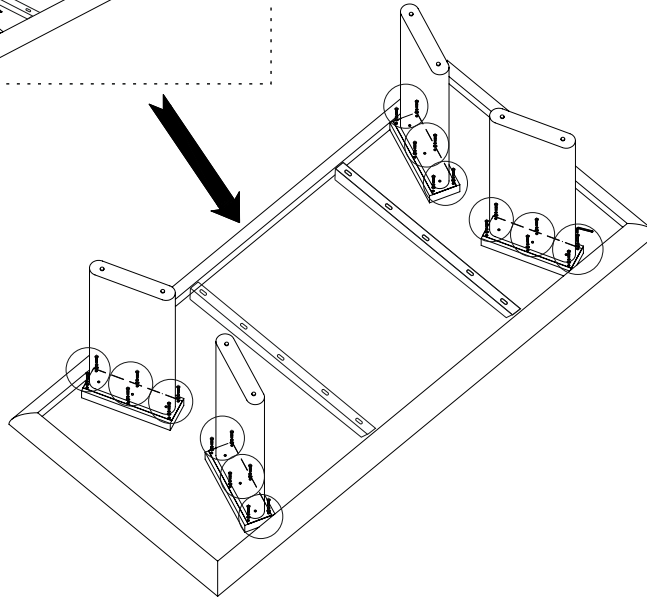
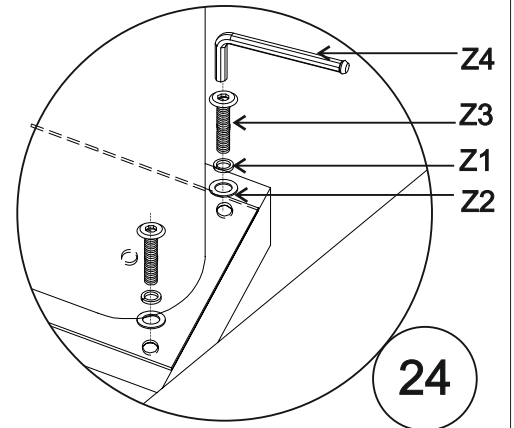
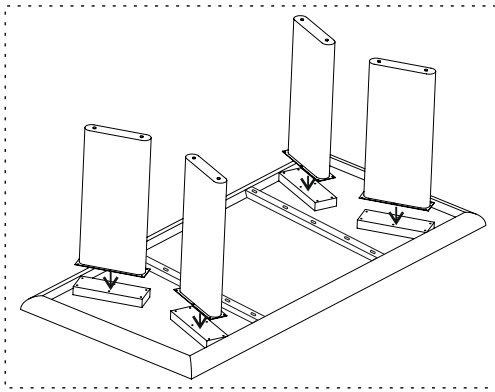


2



# ASSEMBLY INSTRUCTIONS

3



4

