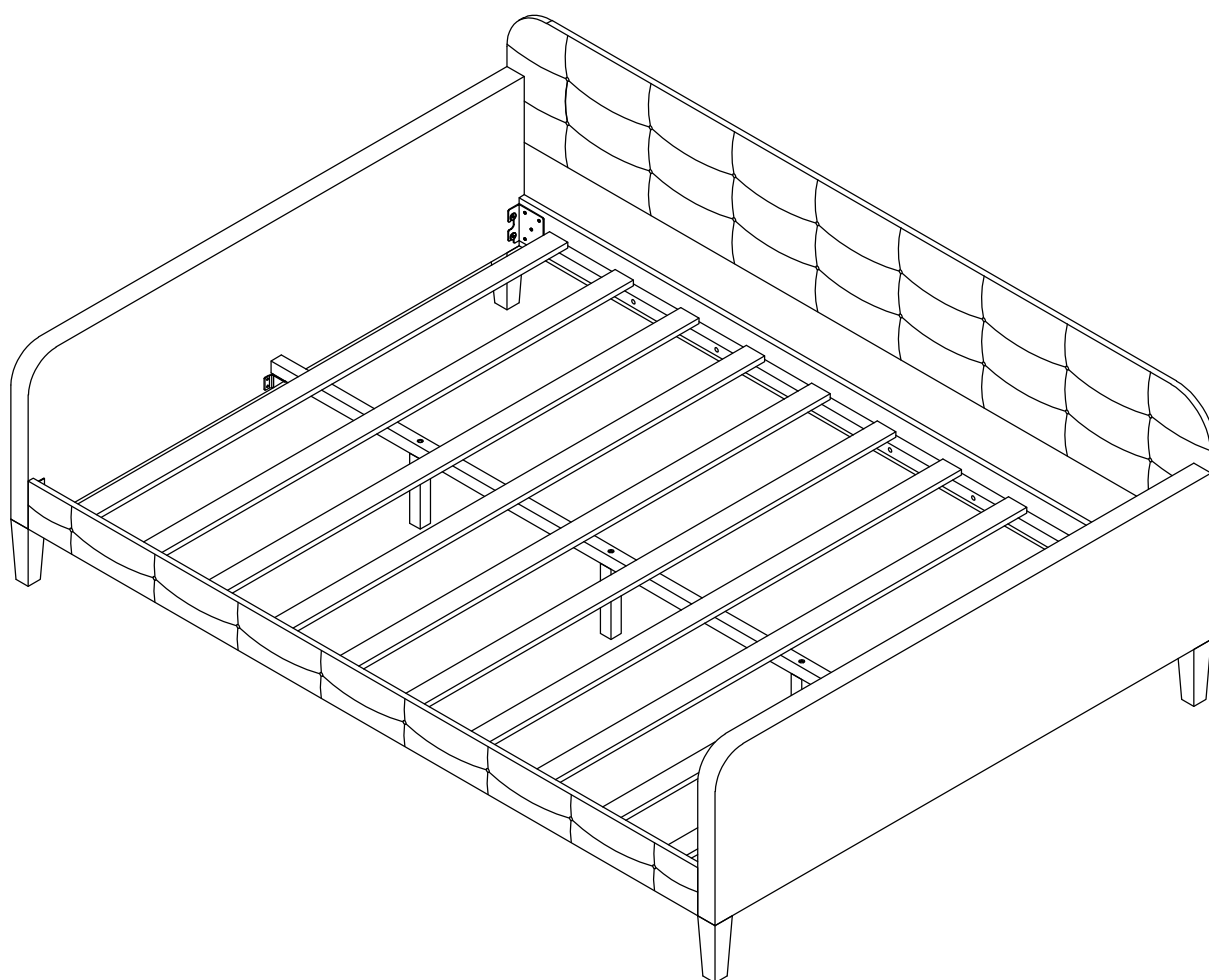
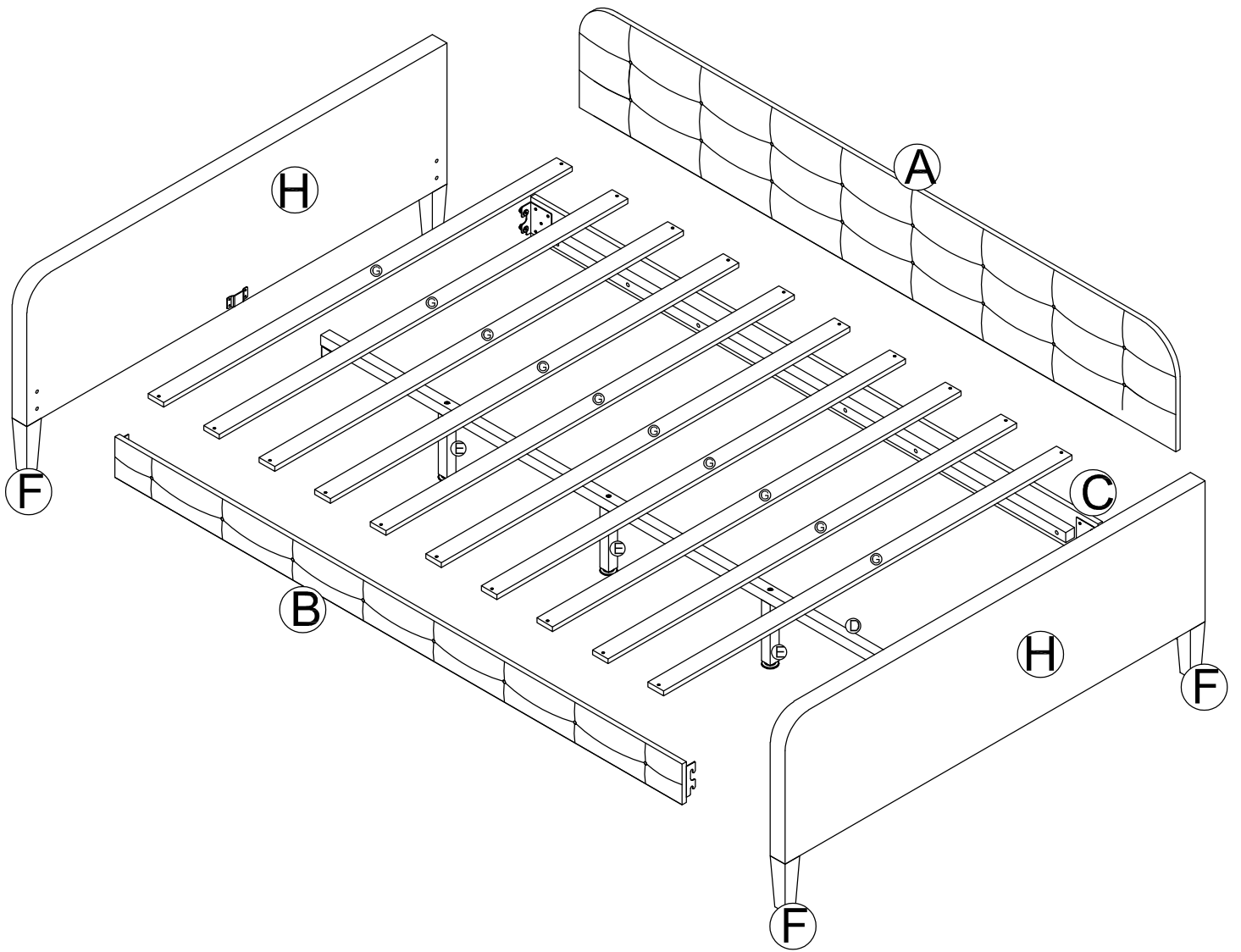


# ASSEMBLY INSTRUCTION

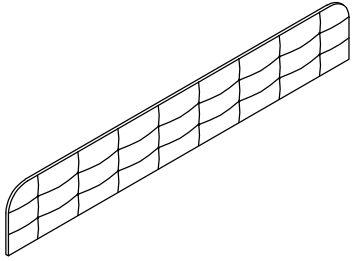
(WF313718/WF313719/WF313721/WF313722)





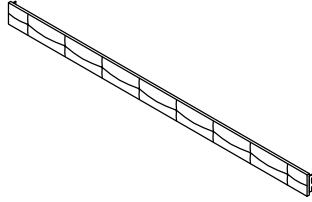
# Part List (Box 1-WF313718/WF313721)

**A**



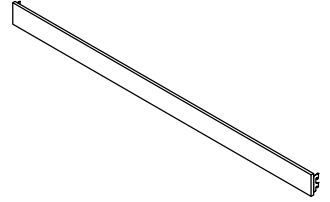
HEADBOARD - 1pc

**B**



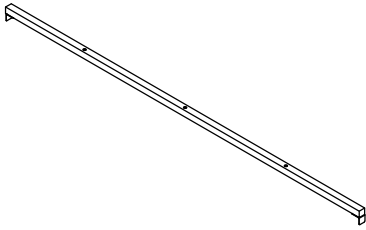
SIDE PANEL OUTSIDE - 1pc

**C**



SIDE PANEL INSIDE - 1pc

**D**



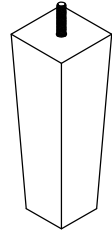
CENTER WOOD BASE - 1pc

**E**



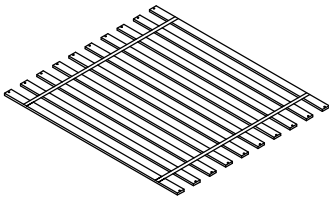
WOODEN SUPPORT LEG - 3pcs

**F**



WOODEN LEG - 4pcs

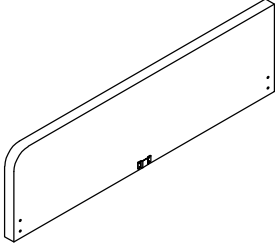
**G**



SLAT - 1SET/10pcs

# Part List (Box 2- WF313719/WF313722)

**H**



SIDE FRAME - 2pcs

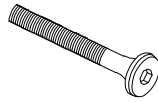
# Hardware List (WF313718/WF313721)

1



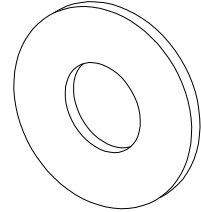
JCBB M8 x 16mm (8 pcs)

2



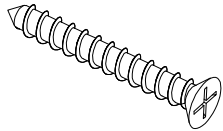
JCBC M6 x 45mm (7 pcs)

3



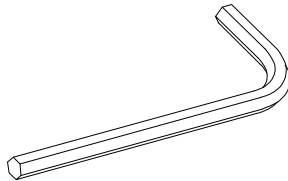
M6 Flat Washer (4 pcs)

4



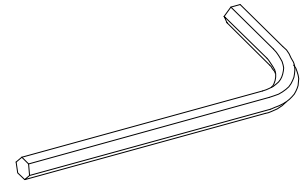
CSK SCREW M4 x 30mm (20pcs)

5



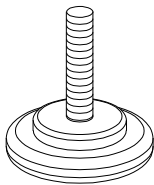
Allen Key M4 (1pc)

6

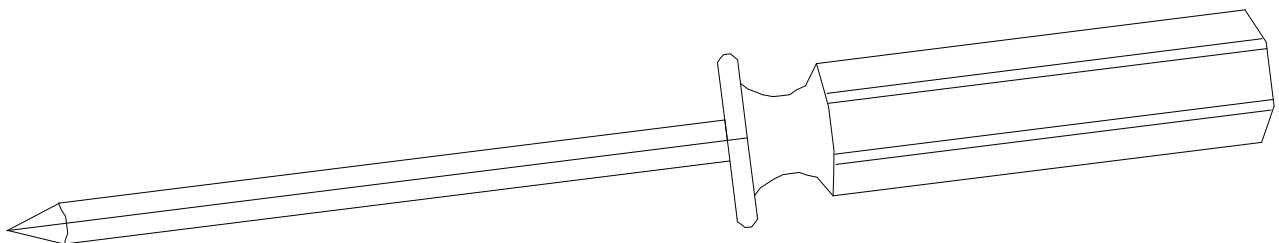


Allen Key M5 (1pc)

7



BASE GLIDE (3pcs)

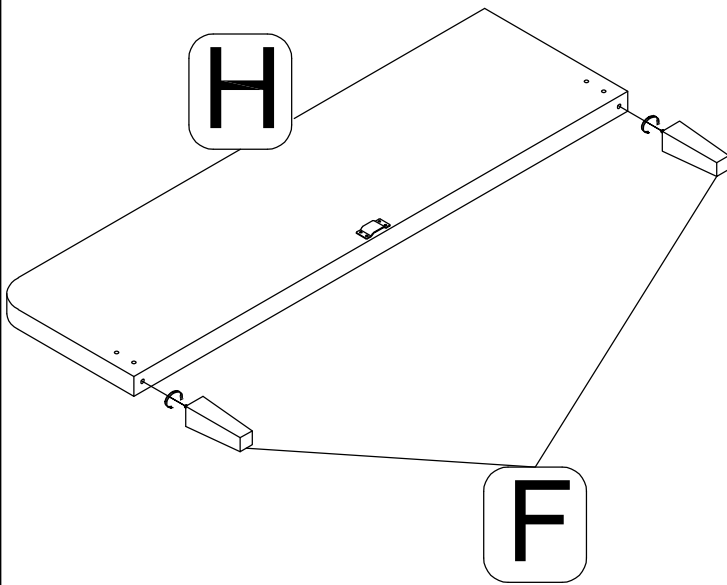


Assembly Tools  
Required (Not Included)

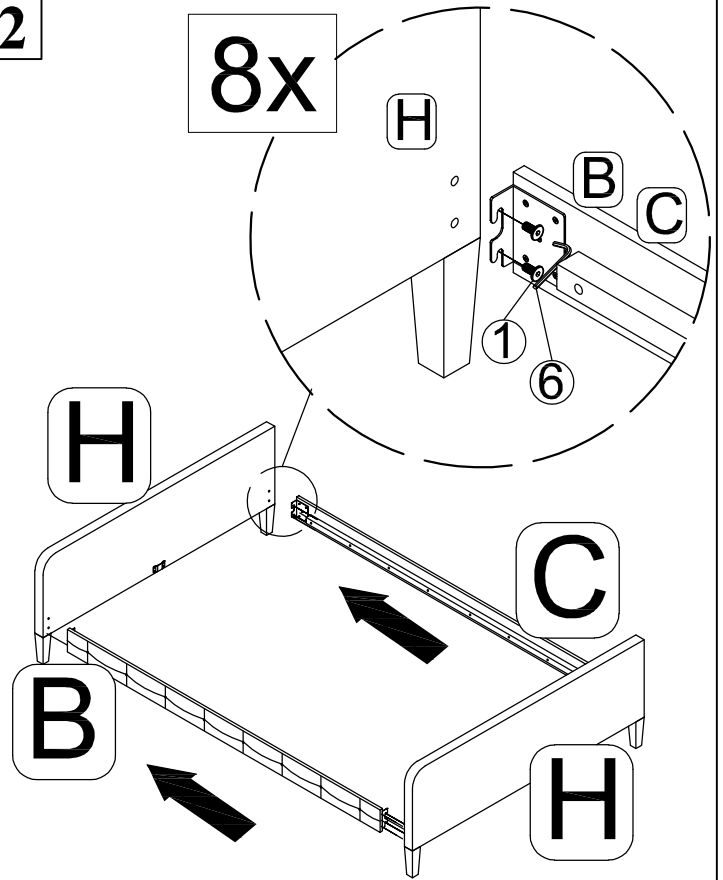
# Assembly Step

1

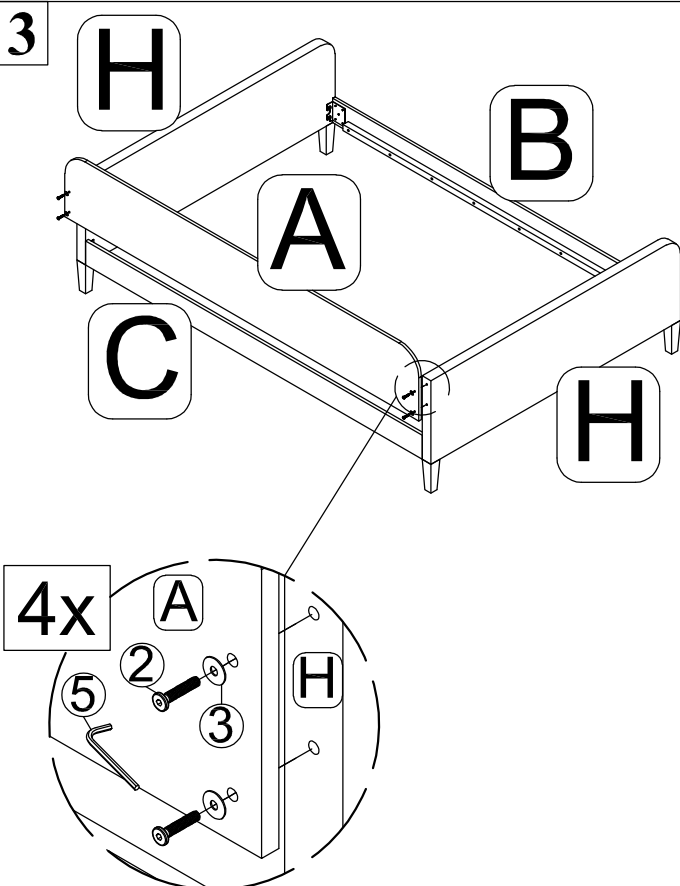
\*ASSEMBLY BOTH SIDE FRAME (H) (x2)  
WITH WOODEN LEG (F) (x4)



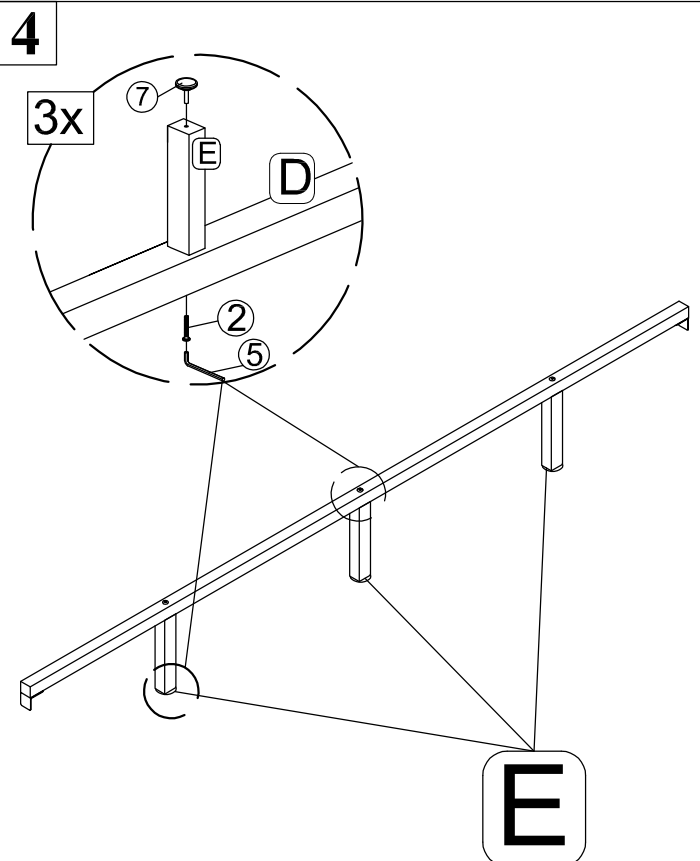
2



3

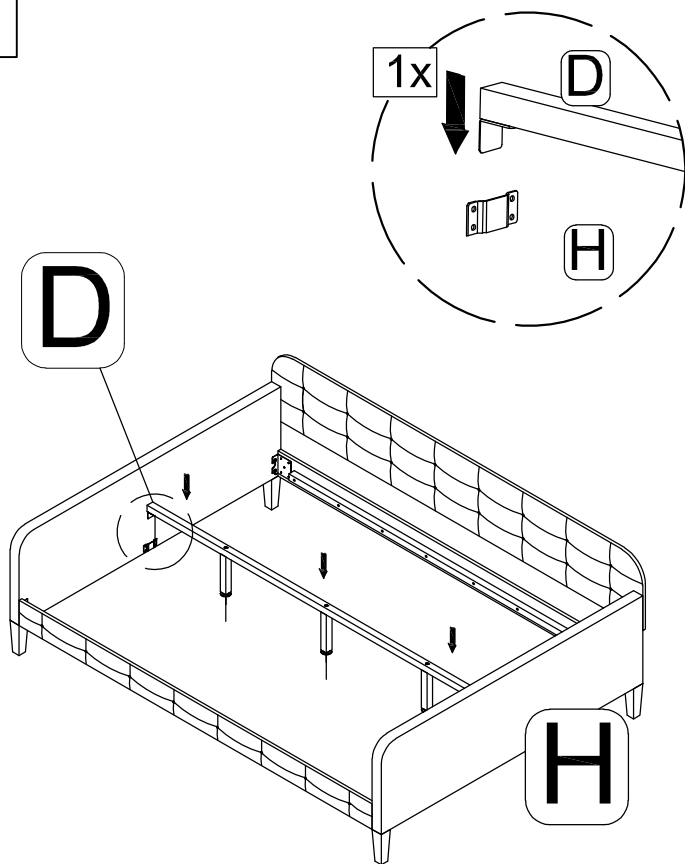


4

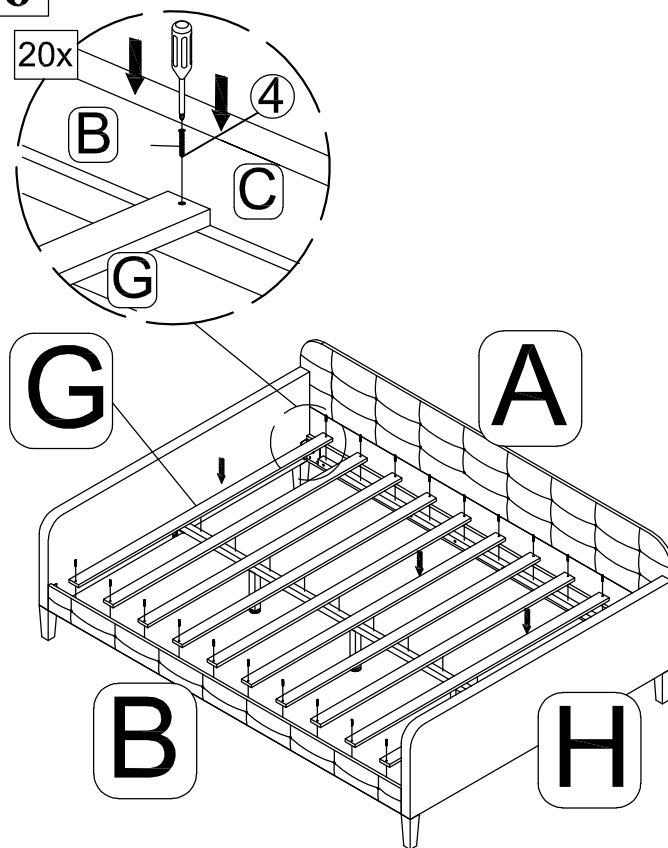


# Assembly Step

5



6



FULLY COMPLETED ASSEMBLY

