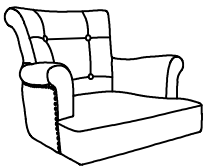


5528649/5528650  
**ASSEMBLY INSTRUCTION**  
 Before assembling, read all the instructions

**Ax1**



Seat

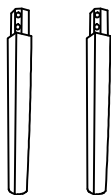
**Ex4**



**M8x65MM**

Screw

**Bx2**



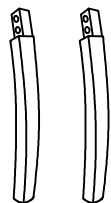
Front legs

**Fx8**



Plain cushion

**Cx2**



Back legs

**Gx8**



Shells pad

**Dx4**



**M8x55MM**

Screw

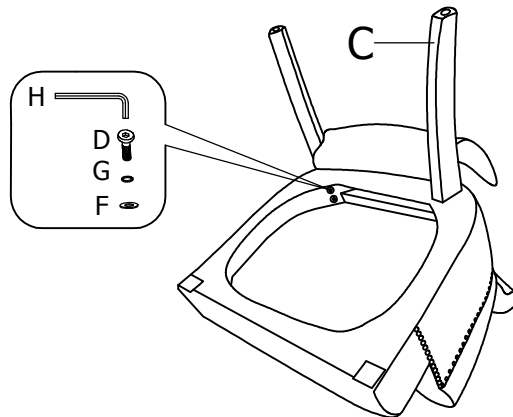
**Hx1**



**M8**

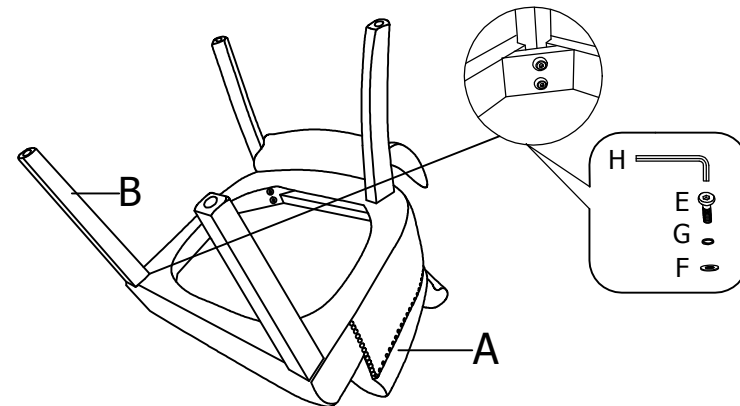
Allen key

①



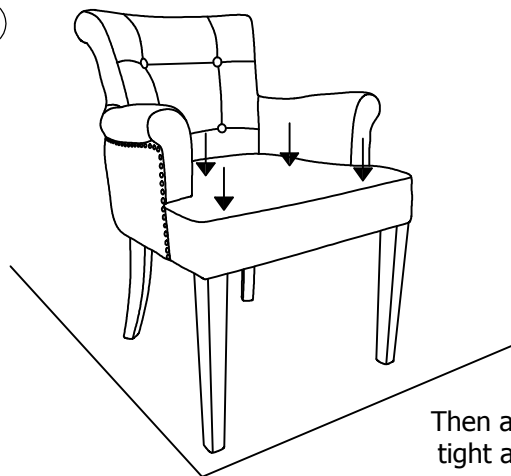
Put the screws in the holes, tight the screws, but not too tight, 90% is ok.

②



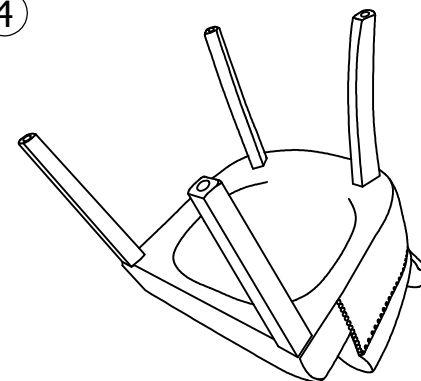
Put the screws in the holes, tight the screws, but not too tight, 90% is ok.

③



Then adjust balance of this chair, tight all the screws to 100%.

④



In the end , zip up the non-wooven cloth underneath the seat.

**WARNING:**

DO NOT STAND ON THE CHAIR, DO NOT USE THIS CHAIR AS A STEP LADDER.

USE THIS PRODUCT ONLY FOR SEATING ONE PERSON AT A TIME.

DO NOT USE THIS CHAIR UNLESS ALL BOLTS, SCREWS AND KNOBS ARE FIRMLY SECURED.

AT LEAST EVERY 4 MONTHS, CHECK ALL BOLTS, SCREWS AND KNOBS TO BE SURE THEY ARE TIGHT.

IF PARTS ARE MISSING, BROKE, DAMAGED OR WORN, STOP USING THIS PRODUCT UNTIL YOU HAVE REPAIRED IT FULLY. FAILURE TO FOLLOW THESE WARNINGS COULD RESULT IN SERIOUS INJURY.

PLEASE DO NOT USE KNIFE TO OPEN ANY PARTS OF THE BOX OR CHAIR.