











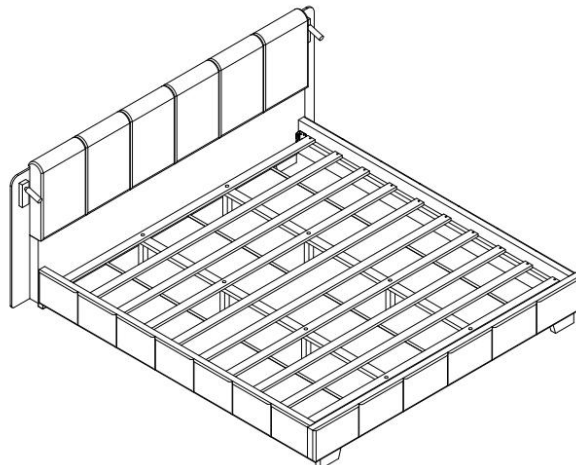
# Assembly Instructions

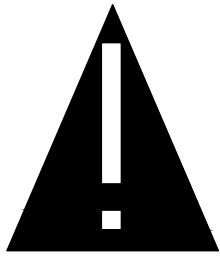
**Caution : You must read this before you proceed**

## Care & Maintenance

- ⊘  ● Not for commercial use. For residential use only.
- ⊘  ● Do not put hot items directly on furniture surface.
- ⊘  ● Do not clean furniture with harsh cleansers or polish.
- ⊘  ● Do not place furniture under direct sunlight.
- ⊘  ● Do not place furniture near heating or cooling vents.
- ⊘  ● Do not write on furniture without a padded barrier to protect the surface.
- ⊘  ● Do not place furniture outside . For indoor use only.
- ⊘  ● Stains may be removed with mild soap solution and damp cloth.
- ⊘  ● Children should not climb or jump on the furniture.
- ✓  ● Dust and pick-up spills using a clean, non-colored, lint-free cloth.

## KING BED





# WARNING

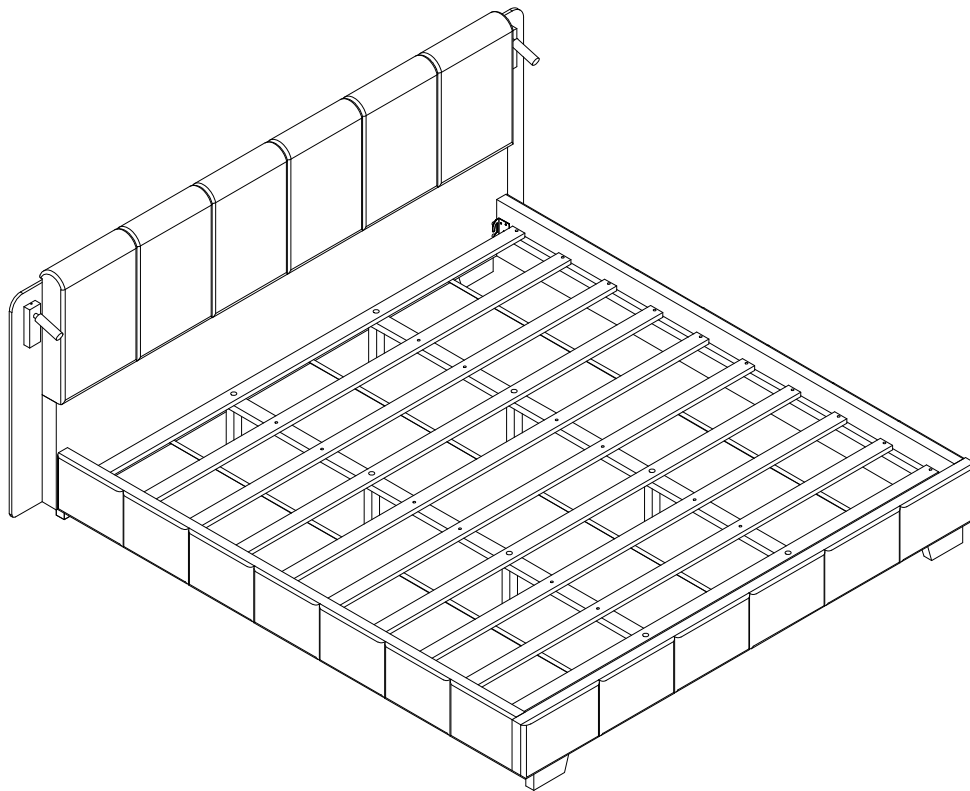
## STRANGULATION HAZARD.

NEVER place bed near windows where cords from blinds or drapes may strangle a child.

NEVER suspend strings over bed.

NEVER place items with a string, cord, or ribbon, such as hood strings or pacifier cords, around a child's neck. These items may catch on bed parts.

ALWAYS follow assembly instructions.



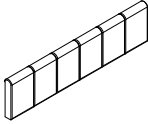
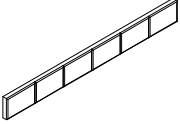
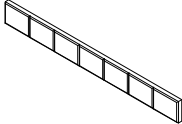
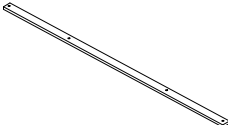


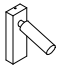

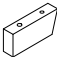

**NOTE :** This Bed is NOT a TOY.

Keep your child/children at bay during the assembly process.

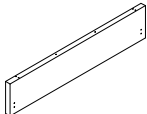
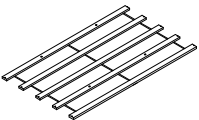
The BED is HEAVY.

To prevent injury to yourself or damage to the product a minimum of two adults are required whenever moving or lifting it.
















# Part List : N736P426356

Label	Picture	Description	QTY
<b>A</b>		Upper headboard	<b>1</b>
<b>C</b>		Footboard	<b>1</b>
<b>D</b>		Side Rails	<b>2</b>
<b>H</b>		Center rail	<b>2</b>
<b>E</b>		The Left side of the head	<b>1</b>
<b>F</b>		The right side of the head	<b>1</b>
<b>G</b>		DECORATIVE LIGHTS	<b>2</b>
<b>I</b>		CENTER LEGS	<b>8</b>
<b>L</b>		LEGS	<b>4</b>
	<p>Hardware</p> 	HARDWARE	<b>1</b>

# Part List : N736P426357

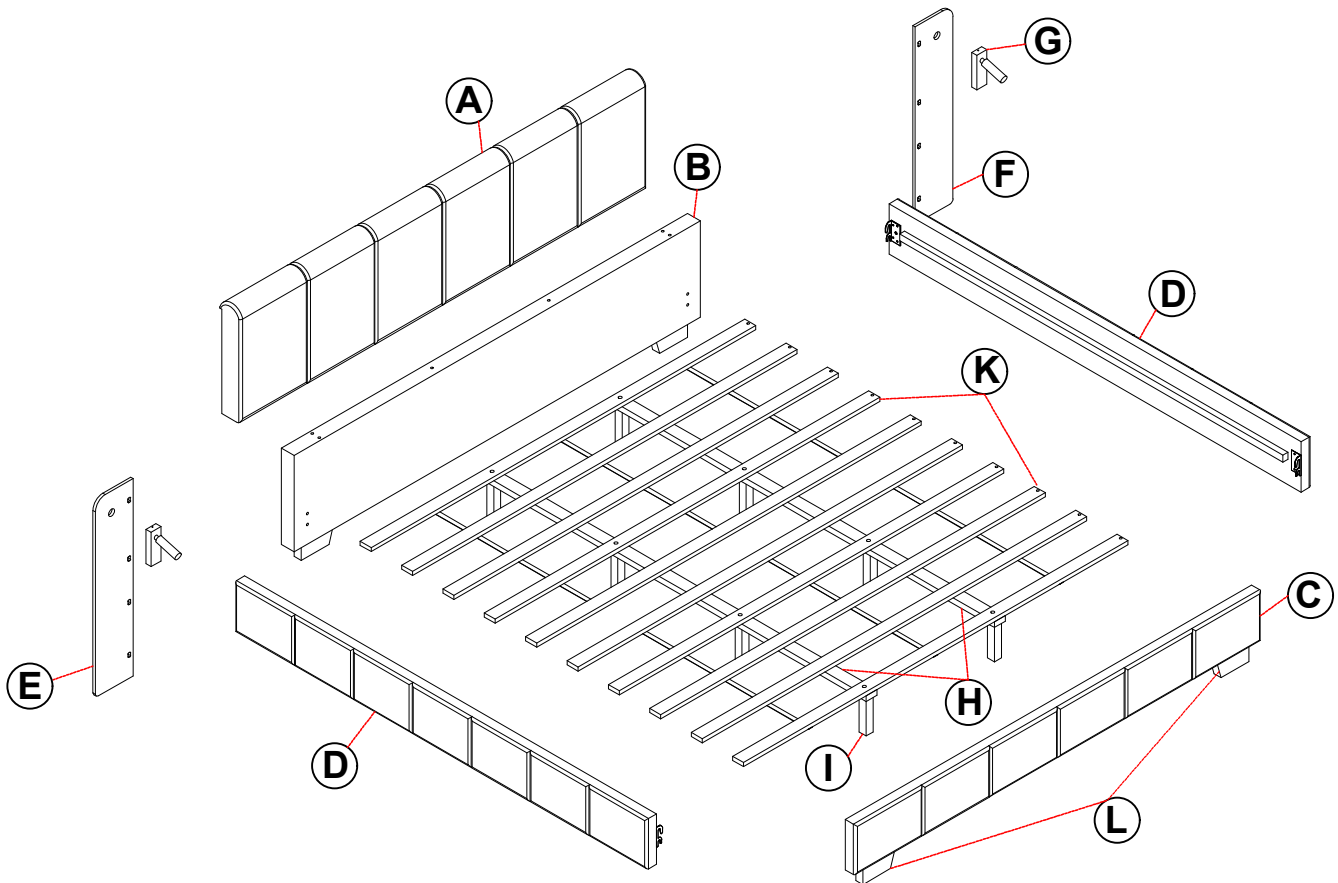
<b>B</b>		Headboard below	<b>1</b>
<b>K</b>		Slats	<b>2</b>

# Hardware

Label	Picture	Description	QTY
①		Bolt (5/16 x 60mm)	<b>8+1</b>
②		Bolt (5/16 x 40mm)	<b>6+1</b>
③		Bolt (5/16 x 30mm)	<b>8+1</b>
④		Bolt (1/4 x 40mm)	<b>16+1</b>
⑤		Bolt (1/4 x 15mm)	<b>4+1</b>
⑥		Screw (M4x 30mm)	<b>32+1</b>
⑦		Screw (M4x 15mm)	<b>20+1</b>
⑧		Flat Washer (5/16)	<b>22+1</b>
⑨		Lock washer(5/16)	<b>22+1</b>
⑩		Flat Washer (1/4)	<b>16+1</b>
⑪		Lock washer (1/4)	<b>16+1</b>
⑫		RIGHT LINK	<b>2</b>
⑬		LEFT LINK	<b>2</b>
⑭		Allen Wrench	<b>1</b>
⑮		Allen Wrench	<b>1</b>

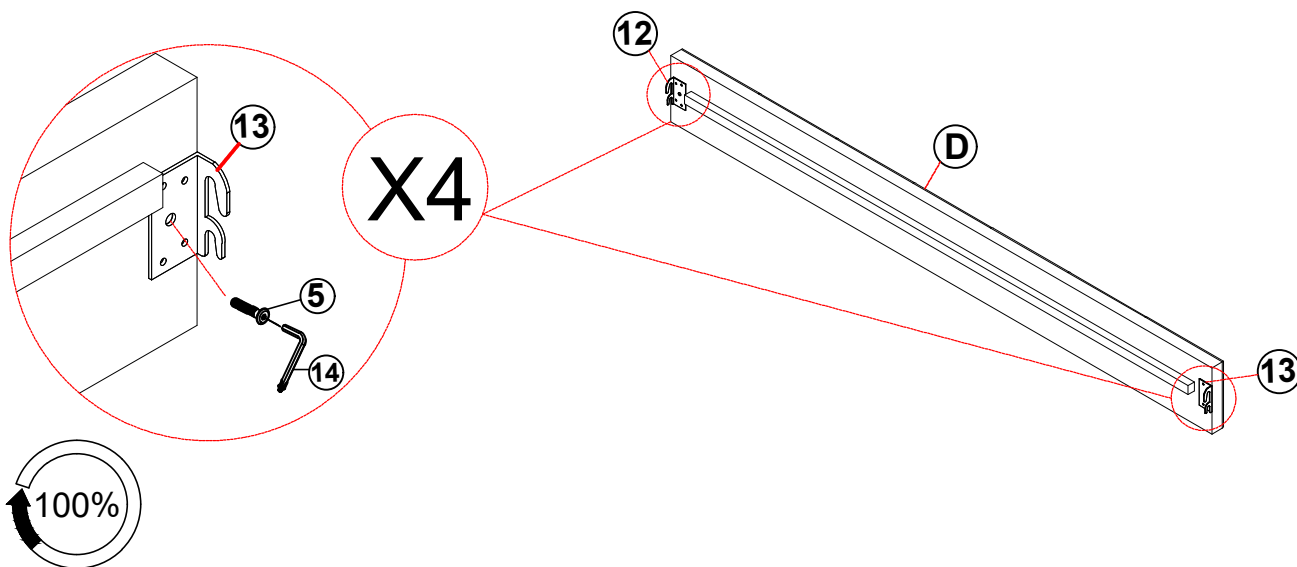
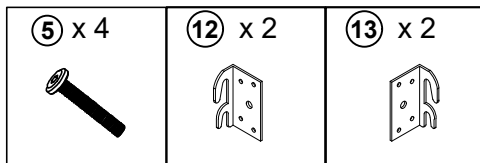
# Assembly Steps

## Overview



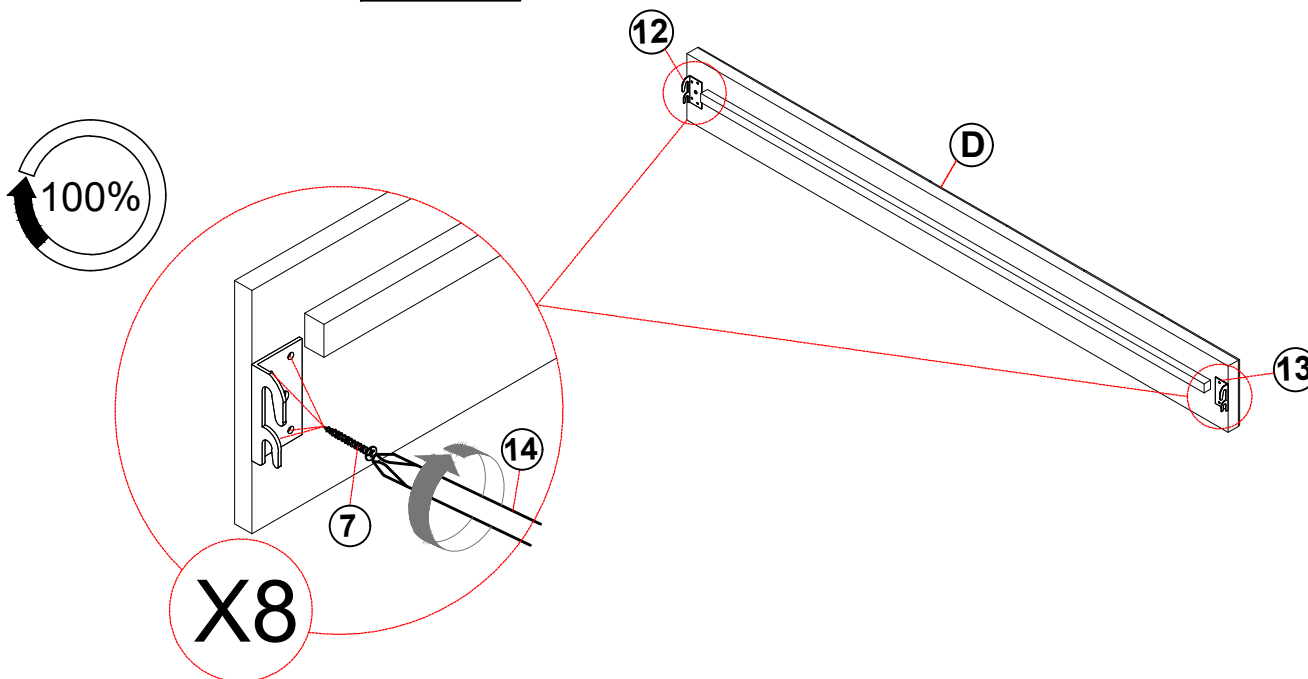
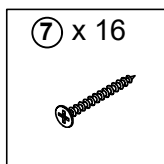
This Bed has multiple parts and may require up to 30 minutes to assemble. To give you an overview of the Bed parts, the above picture is provided to help you put the various parts into perspective. Please read through the instructions below to familiarise yourself with the parts and steps before assembly

# STEP 1









ASSEMBLY SIMILARLY WITH THE REMAINING PARTS (D)

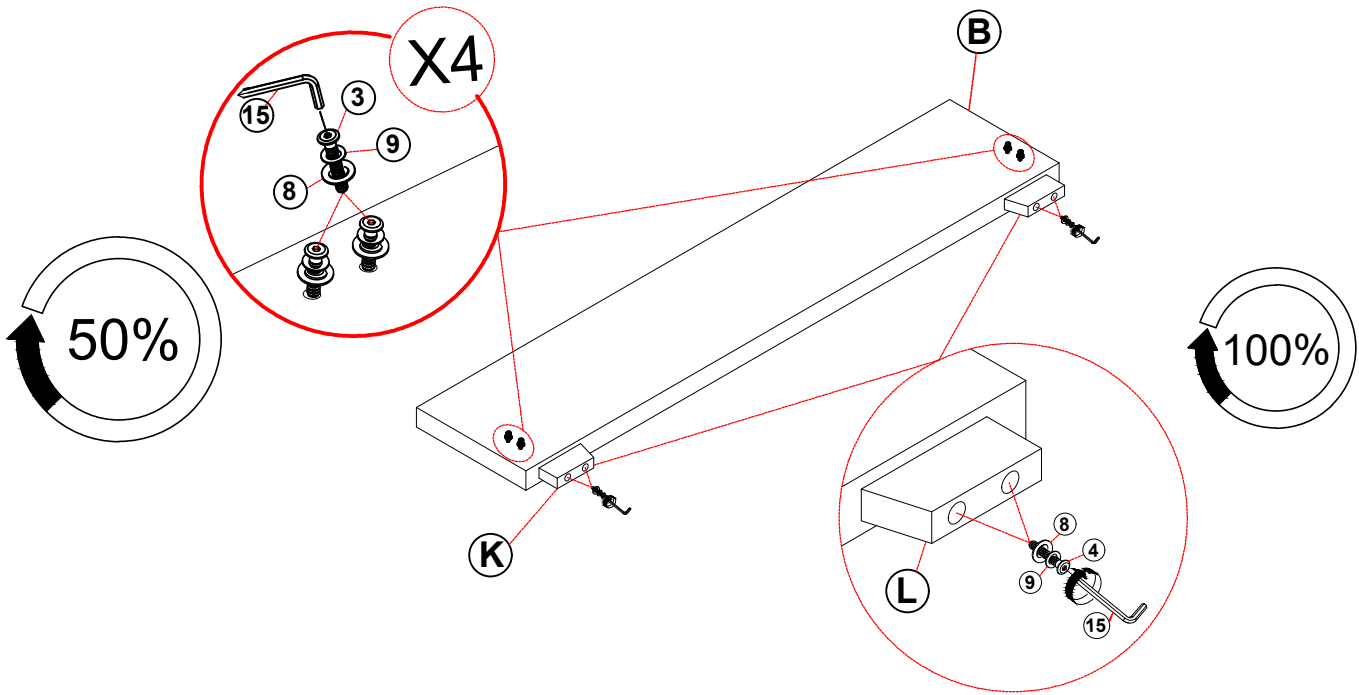
# STEP 2



ASSEMBLY SIMILARLY WITH THE REMAINING PARTS (D)







# STEP 3

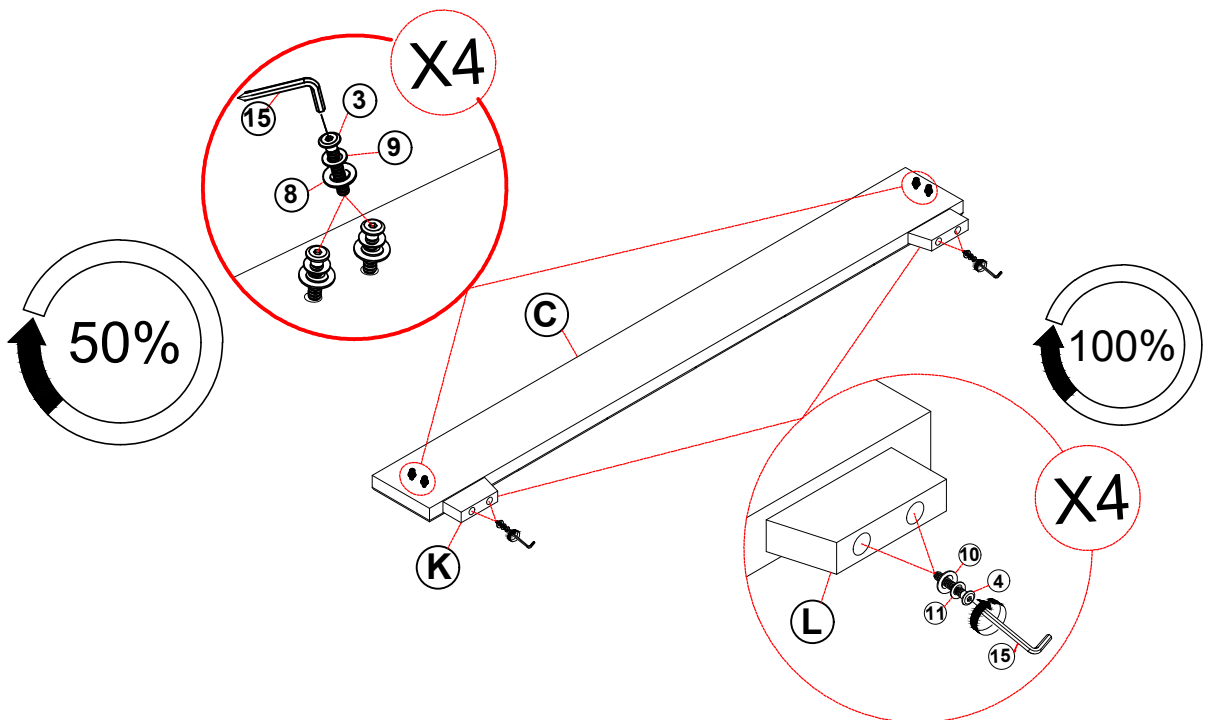
③ x 4 	④ x 8 	⑧ x 4 	⑨ x 4 	⑩ x 8 	⑪ x 8 
--	--	--	---	--	--



The bolts are 50% assembled. The bed frame legs are 100% assembled.

# STEP 4

③ x 4 	④ x 8 	⑧ x 4 	⑨ x 4 	⑩ x 8 	⑪ x 8 
--	--	--	---	--	--



The bolts are 50% assembled. The bed frame legs are 100% assembled.

# STEP 5

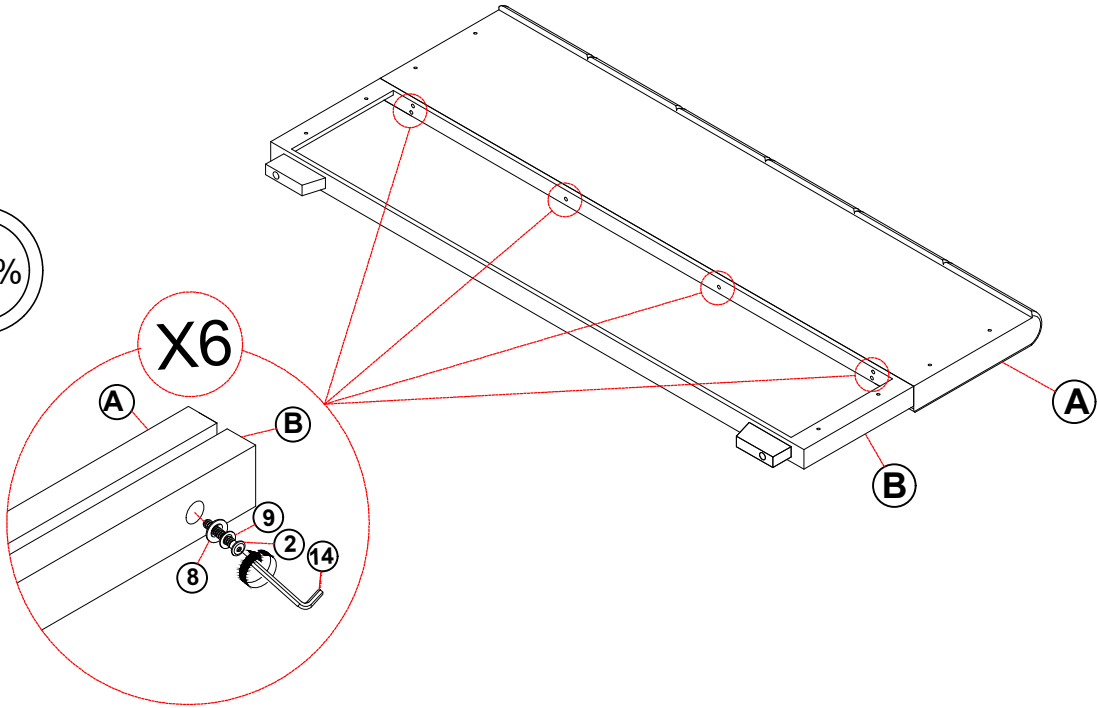
2 x 6



8 x 6

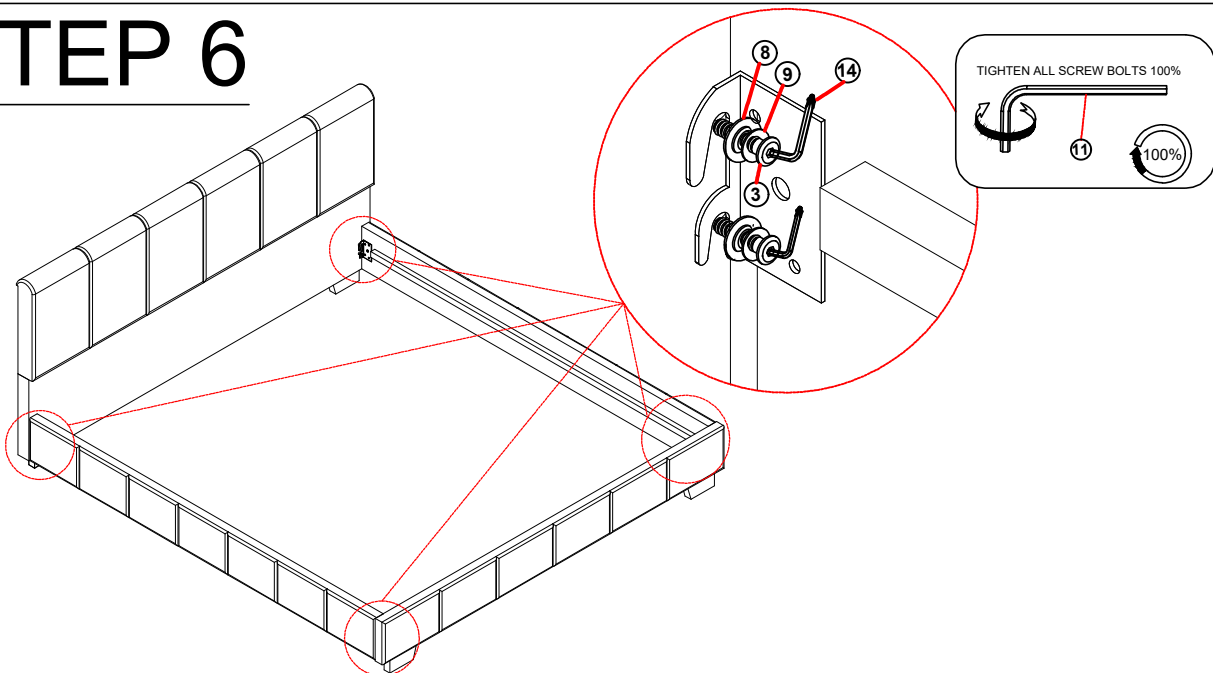


9 x 6



Align the installation positions of the side panels (A) and (B). Tighten all bolts (2) from the bottom up.

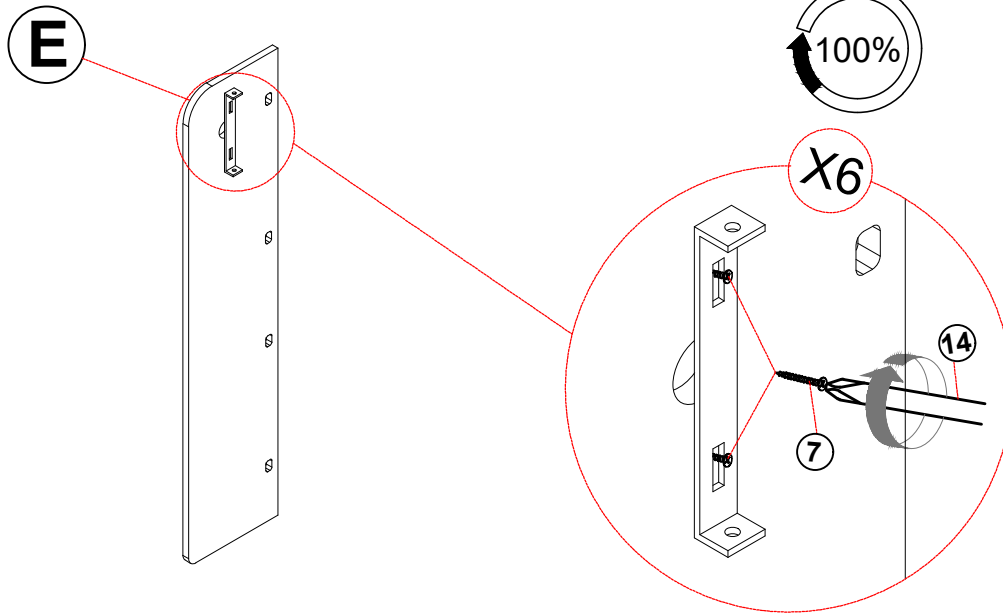
# STEP 6



Align the side panel (D) with the headboard (B) and footboard (C). Tighten all bolts and screws. All parts must be installed perpendicularly and on a flat surface.

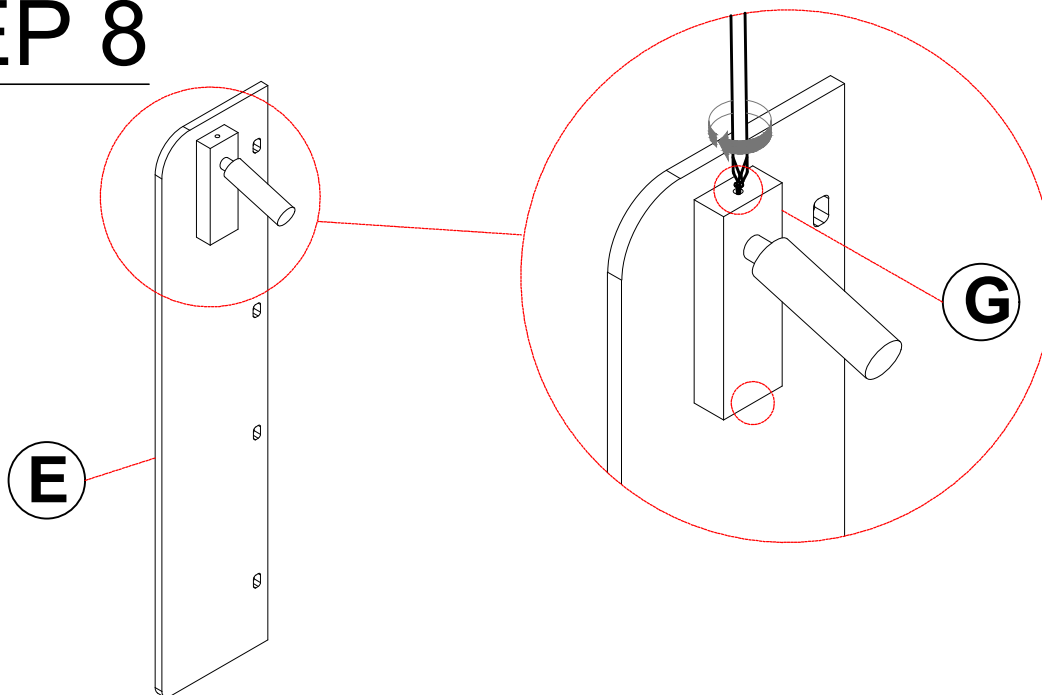
# STEP 7

⑦ x 4



Align the position of the connecting bar with the center of the hole for assembly. The connecting bar is taken from the light box. Assemble it similarly to part (F).

# STEP 8



Align the position of the light with the hole at the connector bar. Tighten the screws on the top and bottom of the light to secure it. Assemble it similarly to part (F).

# STEP 9

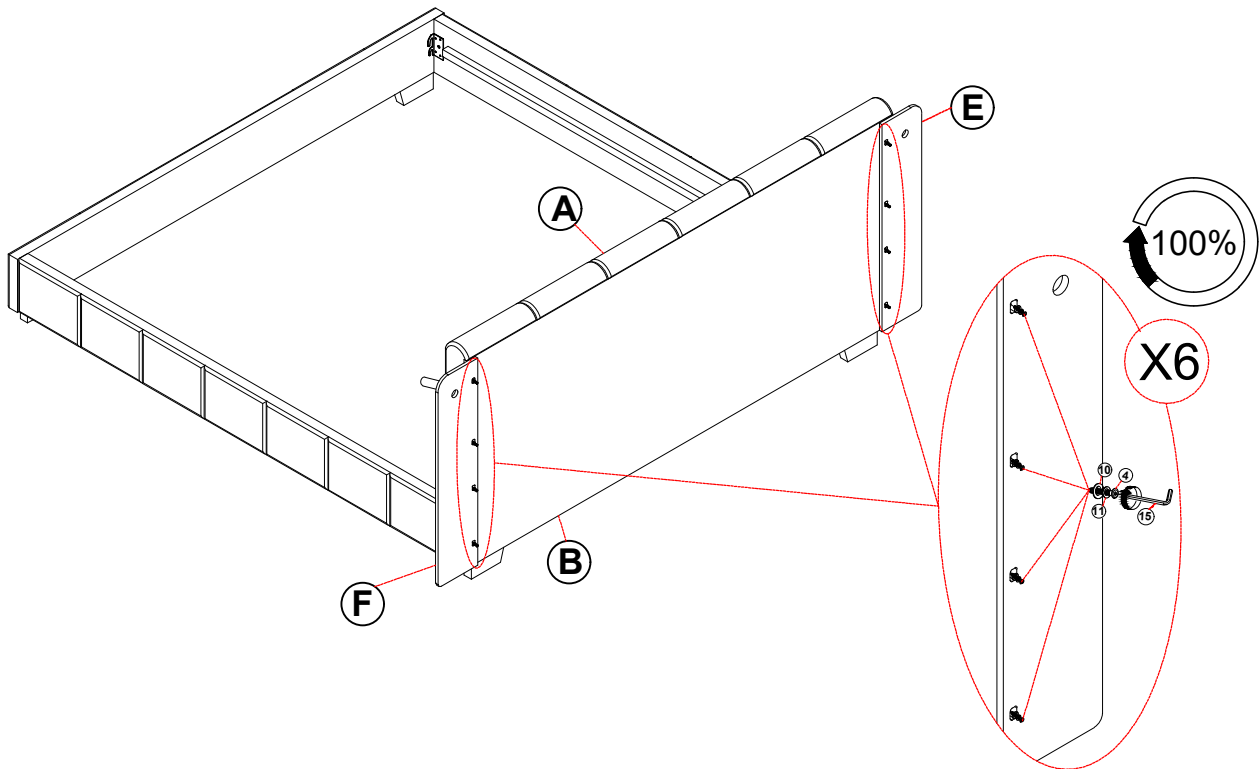
4 x 8



10 x 8



11 x 8



Align the position of the lamp (E) precisely with parts (A) and (B), then tighten the bolts to secure it firmly. Do the same with part (F).

# STEP 10

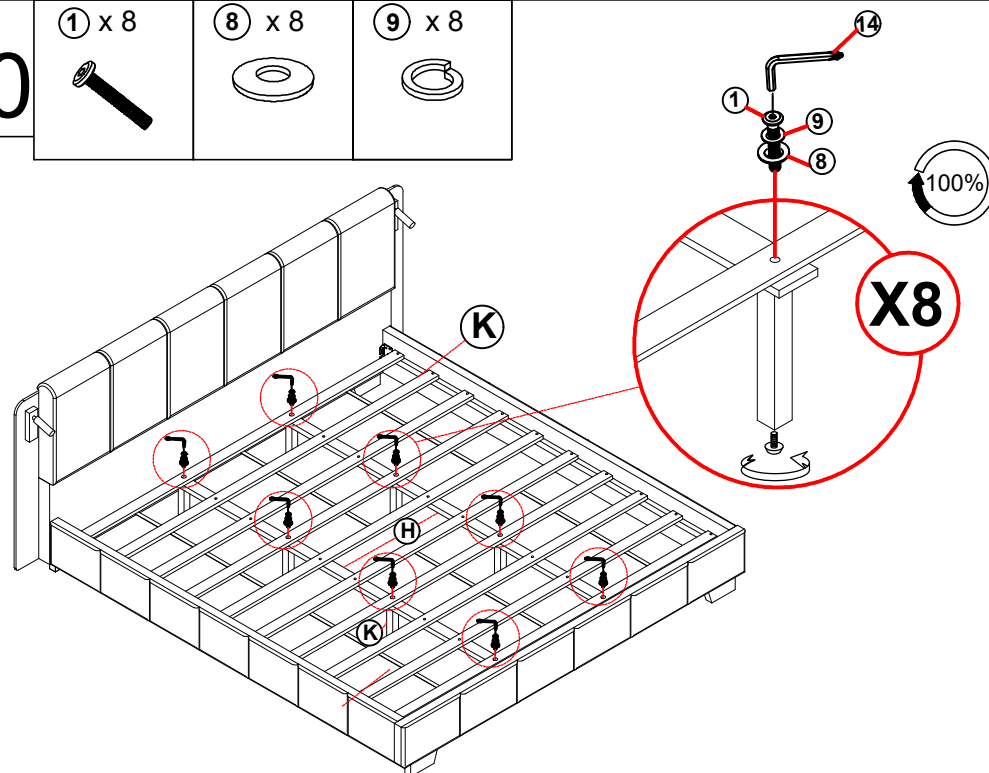
1 x 8



8 x 8

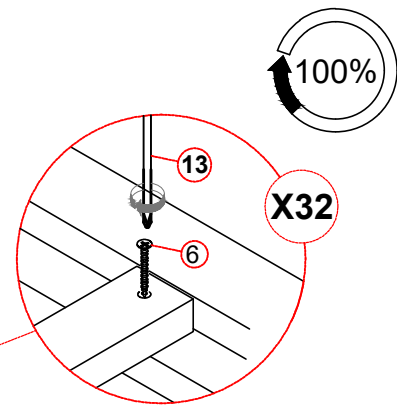
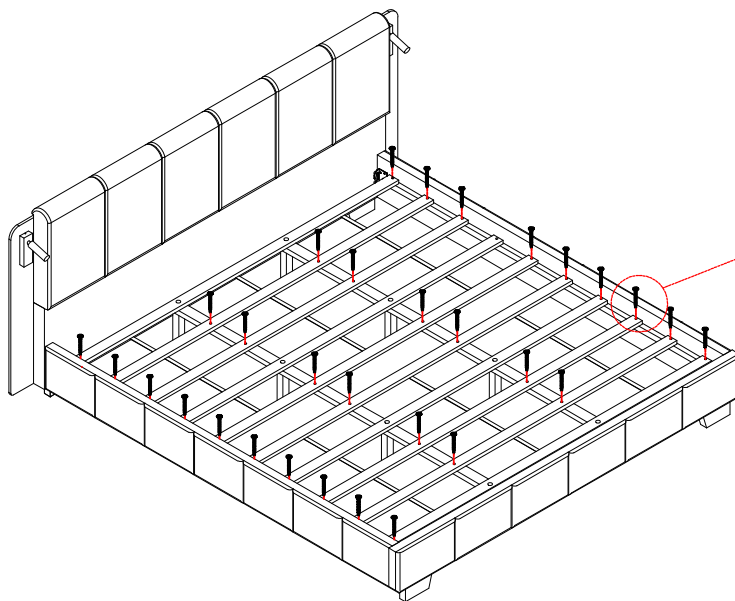
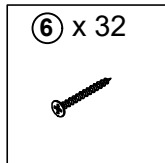


9 x 8



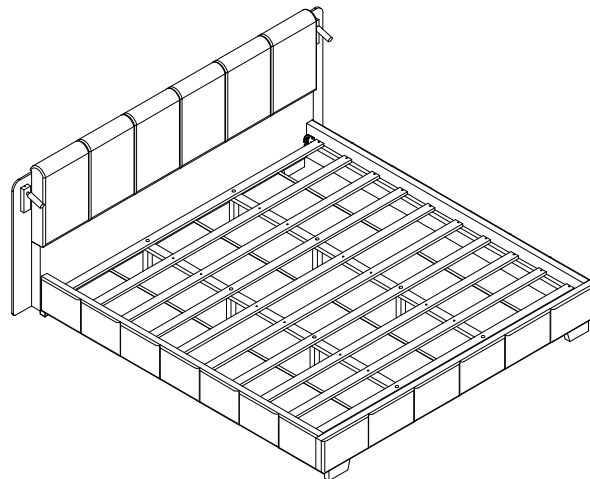
Align the installation position of the middle bar (H) with the middle leg (I) and the bars (K). Attach the bars (H) and bar (k) to the middle leg (I) with bolts (1) using an M4 hex wrench (15).

# STEP 11



Attach all Slats (G) to the rail on Side Panel (D) by using Screws (6) and Screwdriver (14).

## COMPLETED ASSEMBLY



Place the Bed on a **LEVEL SURFACE**.

Inspect it and make sure all parts are adequately connected.

Don't push too hard, shake on the bed.

This would help to align all the parts at all the joint areas.

**CAUTION 1:** When tightening these screws, tighten sequentially.

**DO NOT** tighten any screw fully and then towards the next one.

This would cause the frame to warp.

If there is still wobbles, loosen the screws and execute this same process. **DO NOT** tighten any screw fully and then towards the next one.

**WARNING!!** IF BED IS NOT STABLE , IT COULD LEAD TO DAMAGING THE PRODUCT.

Ensure all screws are fully locked into position.

The bed is ready to be used.

**Caution 2:** This bed can only be used on a flat, level surface.