

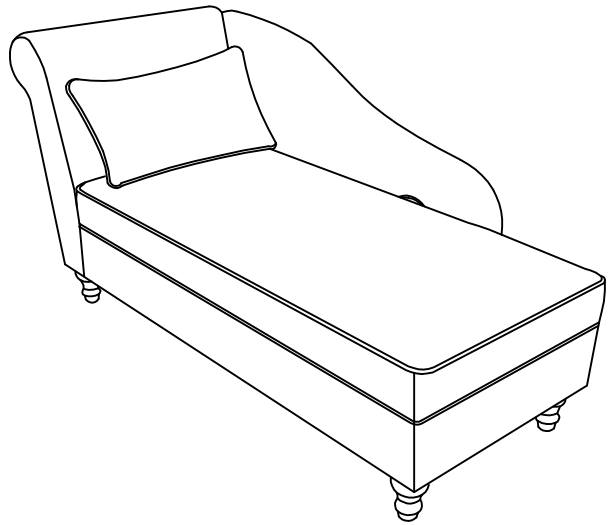
Assembly Instructions

⚠ Before you throw the carton, please ensure that you have all the parts needed for the assembly.

⚠ **Hardware Note:**

1. For each step please don't fully tighten all the screws at first, when they all align to the holes you can fully tighten them.

2. All the bolts should be assembled **vertically** to the holes.



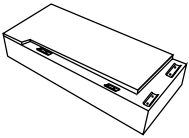
⚠ THIS INSTRUCTION BOOKLET CONTAINS IMPORTANT SAFETY INFORMATION. PLEASE READ AND KEEP FOR FUTURE REFERENCE.

Assembly Instructions

Parts and Hardware

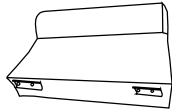
Please check to make sure you have all parts and hardware before starting assembly process.

Ⓐ



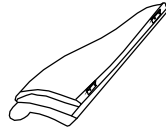
x1

Ⓑ



x1

Ⓒ



x1

Ⓓ



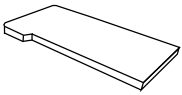
x1

Ⓔ



x4

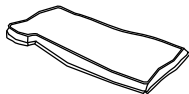
Ⓕ



seat cushion

x1

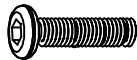
Ⓖ



cloth cover

x1

①



$\varphi 0.25 * L 1.6 \text{ in}$

x2

②

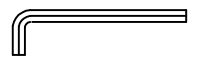


x2

③



x4



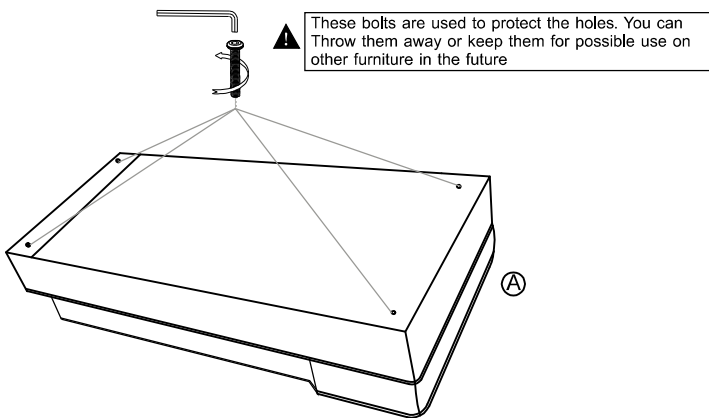
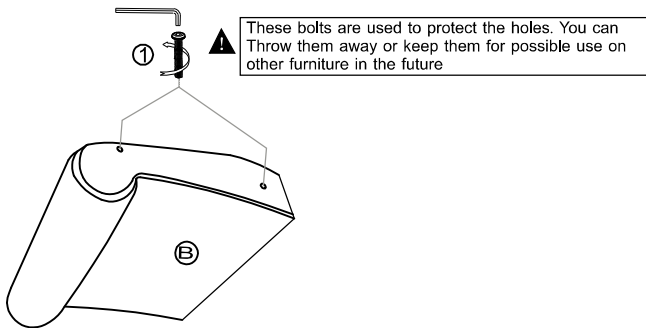
x1

Assembly Instructions

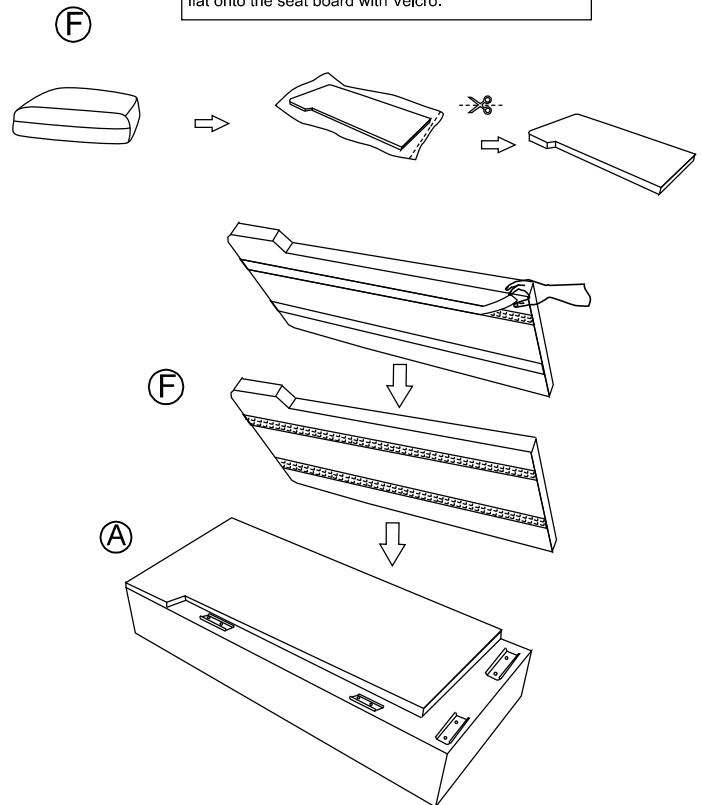
Assembly Instructions

Step 1: Take off the bolts on part AB.

Step 2:



⚠ Cut open the compressed plastic bag by scissors and take out the seat cushion. Pat it a few times by hand to speed up the cushion's recovery. Then stick the cushion flat onto the seat board with Velcro.

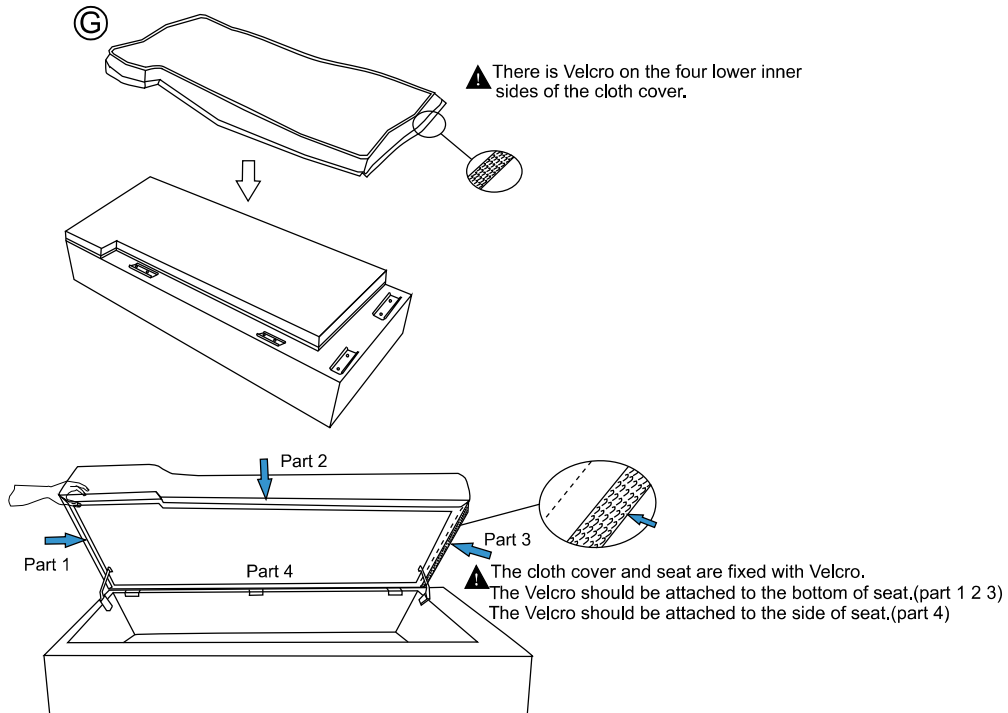


⚠ Do not worry if there are creases on the cushion they will recover naturally after a few hours.

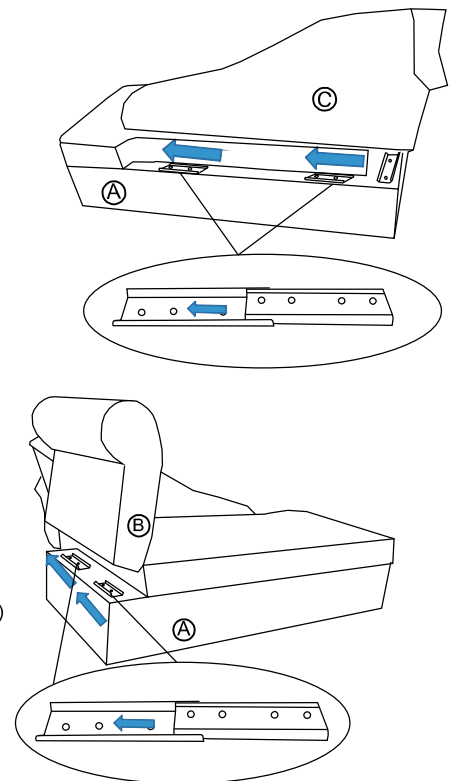
Assembly Instructions

Assembly Instructions

Step3:



Step 4: Connect arm and back to seat by the snap joint.(see below diagram)



Assembly Instructions

Assembly Instructions

Step 4: Connect back and arm using bolts ① and flat washers ②. Half-tighten the 2 bolts one by one, when the 2 bolts are align to the holes fully tighten them by the short side of wrench.

Assemble 4 legs to the bottom of seat. Fully turn them by hand.

