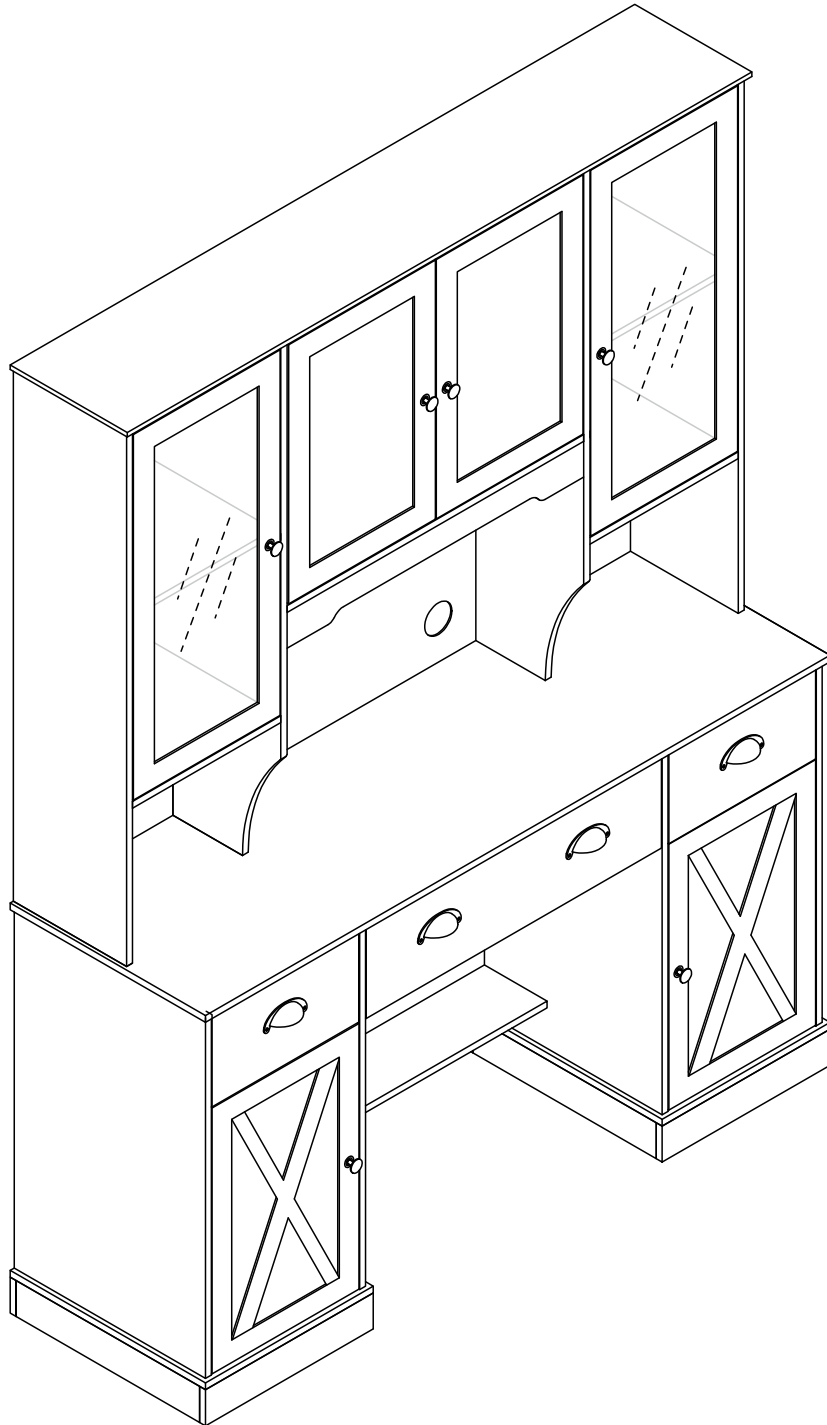


User's Manual

Cabinet



EN

Thank you for purchase on our products. Please contact us if you have difficulty with assembly or need replacement parts. Our customer service is here to assist you. Please attach your User Name or Order ID so that we can assist you better.

WARNING

Serious or fatal injury may occur from unexpected assembly or use.

1. During the assembly process, keep all parts away from babies or children.
2. Always securely fix this product to the wall. Make sure the wall area to be drilled is free from hidden electrical wires, water and gas pipes.
3. Use of tip-over restraints may only reduce, but not eliminate the risk of tip-over.
4. Unless specially designed to accommodate, do not set heavy objects on top of this product.
5. Place the heaviest items on the lowest shelf.
6. Never allow children to climb or bang on drawers, doors or shelves.

DE

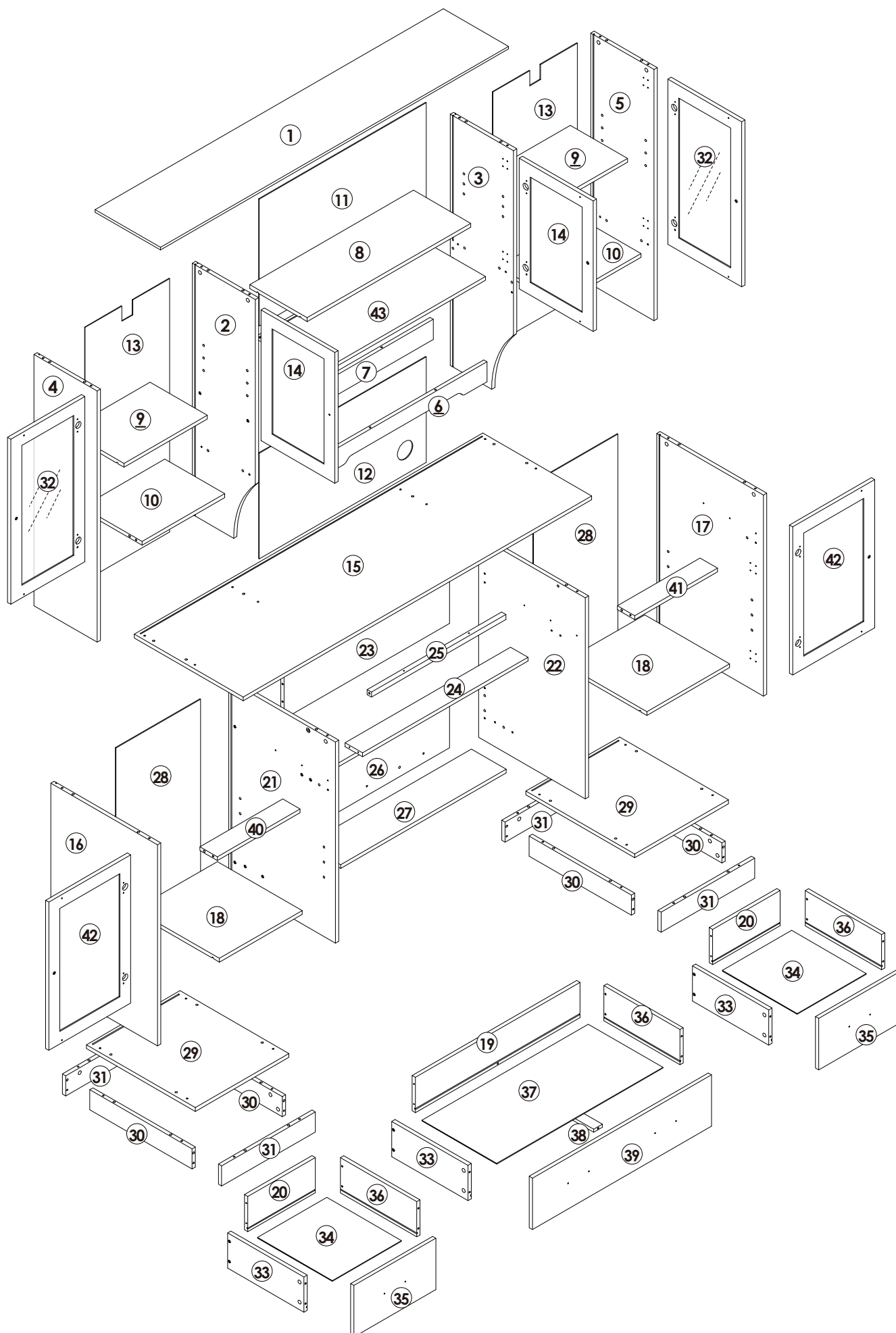
Vielen Dank für Ihren Kauf von uns Produkten. Bitte kontaktieren Sie uns, wenn Sie Probleme mit Montage haben oder Ersatzteile benötigen. Wir Kundenservice ist für Sie da. Bitte geben Sie Ihren Benutzernamen oder Ihre Bestellnummer an, damit wir Sie besser unterstützen können.

WARNUNG




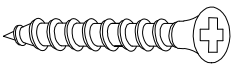
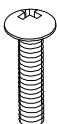
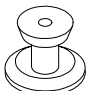
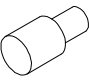

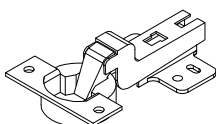
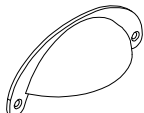
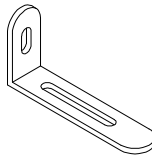
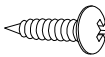
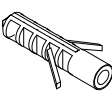
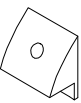
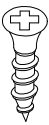



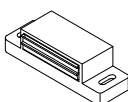
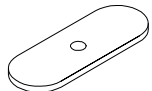
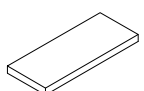

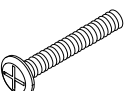
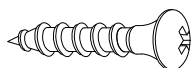
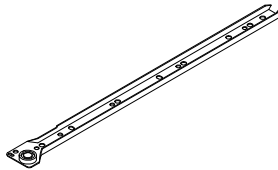
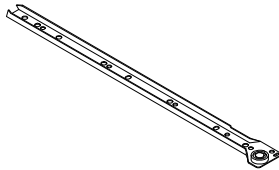
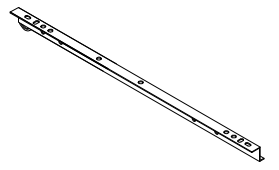
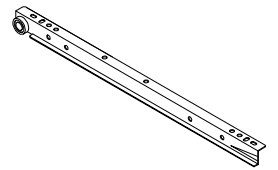
Bei unerwarteter Montage oder Verwendung können schwere oder tödliche Verletzung auftreten.

1. Legen Sie in den Montageprozess alle Teile weg von Babys oder Kindern.
2. Stellen Sie sicher, dass der gebohrte Wandbereich frei von verborgenen Stromkabeln, Wasser- und Gasleitungen ist, wenn Sie dieses Produkt an der Wand befestigen.
3. Die Verwendung von Kippsicherungen kann die Gefahr eines Kippens nur verringern, jedoch nicht beseitigen.
4. Setzen Sie bitte keine schweren Gegenstände auf dieses Produkt, es sei denn, dass das Produkt speziell für die Unterbringung konzipiert wird.
5. Legen Sie bitte die schwersten Gegenstände auf das unterste Regal.
6. Erlauben Sie nie Kindern, auf Schubladen, Türen oder Regale zu klettern oder zu knallen.

Parts List(EN) / Teile Liste(DE)

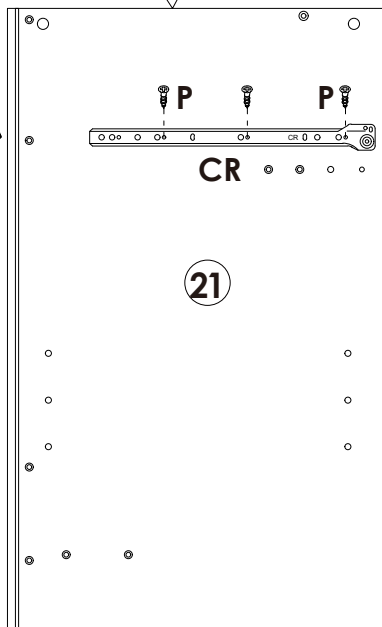
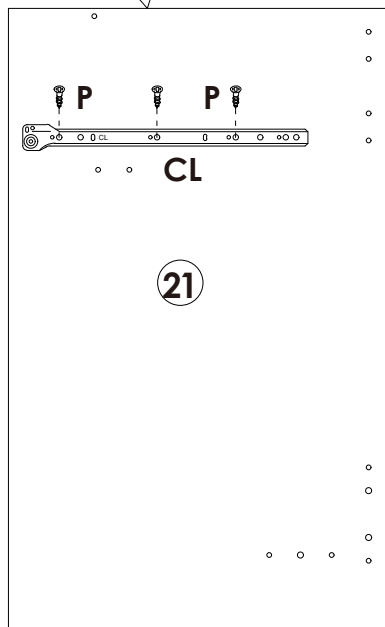
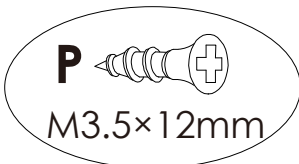
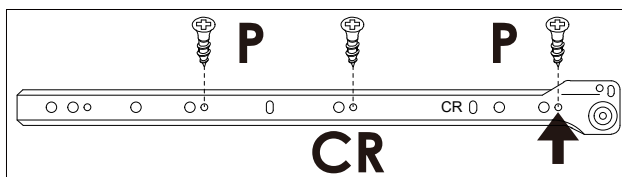
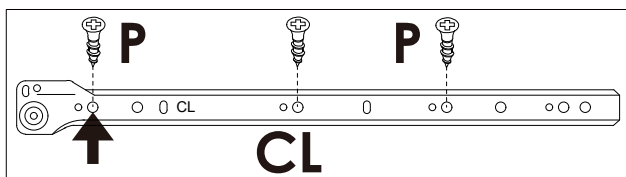


Parts List(EN) / Teile Liste(DE)

<p>A</p>  <p>M6×35mm 75+2PCS</p>	<p>B</p>  <p>Ø15×9.5mm 75+2PCS</p>	<p>C</p>  <p>Ø6×30mm 86+2PCS</p>	<p>D</p>  <p>M4×40mm 54+2PCS</p>
<p>E</p>  <p>M4×18mm 6PCS</p>	<p>F</p>  <p>6PCS</p>	<p>G</p>  <p>20+2PCS</p>	<p>H</p>  <p>M4×12mm 72+2PCS</p>
<p>I</p>  <p>12PCS</p>	<p>J</p>  <p>4PCS</p>	<p>K</p>  <p>2PCS</p>	<p>L</p>  <p>M4×12mm 2PCS</p>
<p>M</p>  <p>Ø6×30mm 2PCS</p>	<p>N</p>  <p>36+2PCS</p>	<p>O</p>  <p>M3×14mm 48+2PCS</p>	<p>P</p>  <p>M3.5×12mm 36+2PCS</p>
<p>Q</p>  <p>black</p> <p>M3×14mm 8+1PCS</p>	<p>R</p>  <p>M3×12mm 6PCS</p>	<p>S</p>  <p>6PCS</p>	<p>T</p>  <p>6PCS</p>
<p>U</p>  <p>8+1PCS</p>	<p>W</p>  <p>Ø20mm 16+2PCS</p>	<p>X</p>  <p>M6×45mm 2PCS</p>	<p>Y</p>  <p>M4×30mm 2PCS</p>
<p>CL</p>  <p>L350mm 3PCS</p>	<p>CR</p>  <p>L350mm 3PCS</p>	<p>DL</p>  <p>L350mm 3PCS</p>	<p>DR</p>  <p>L350mm 3PCS</p>

Assembly Steps(EN) / Montageschritte(DE)

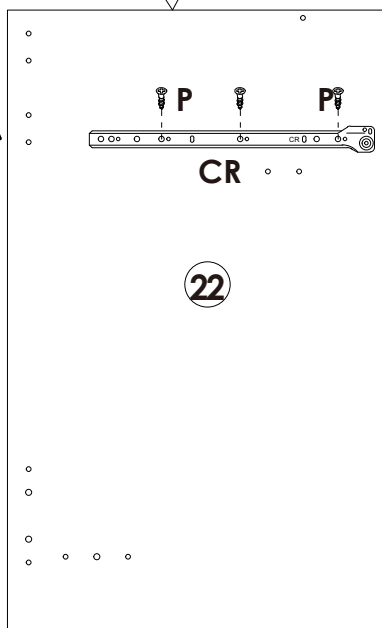
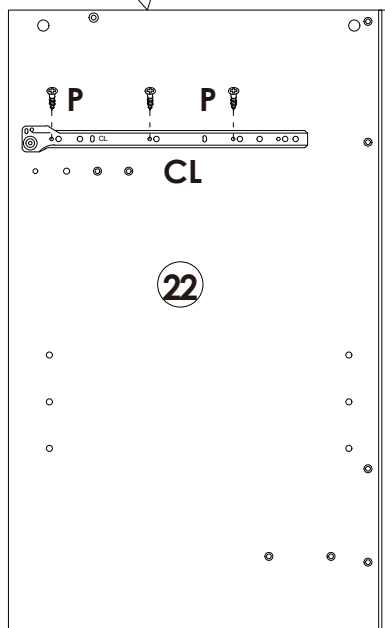
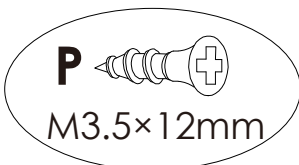
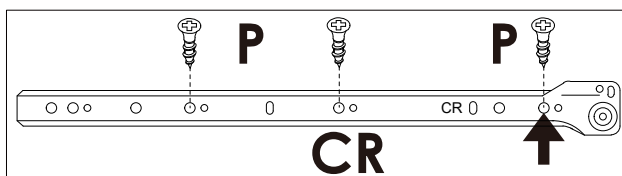
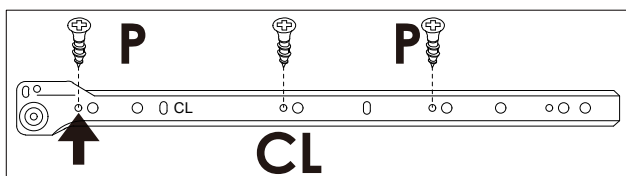
STEP 1



!
Turn over part 21 to install the other side.

	P x 6PCS
	CL x 1PC
	CR x 1PC

STEP 2

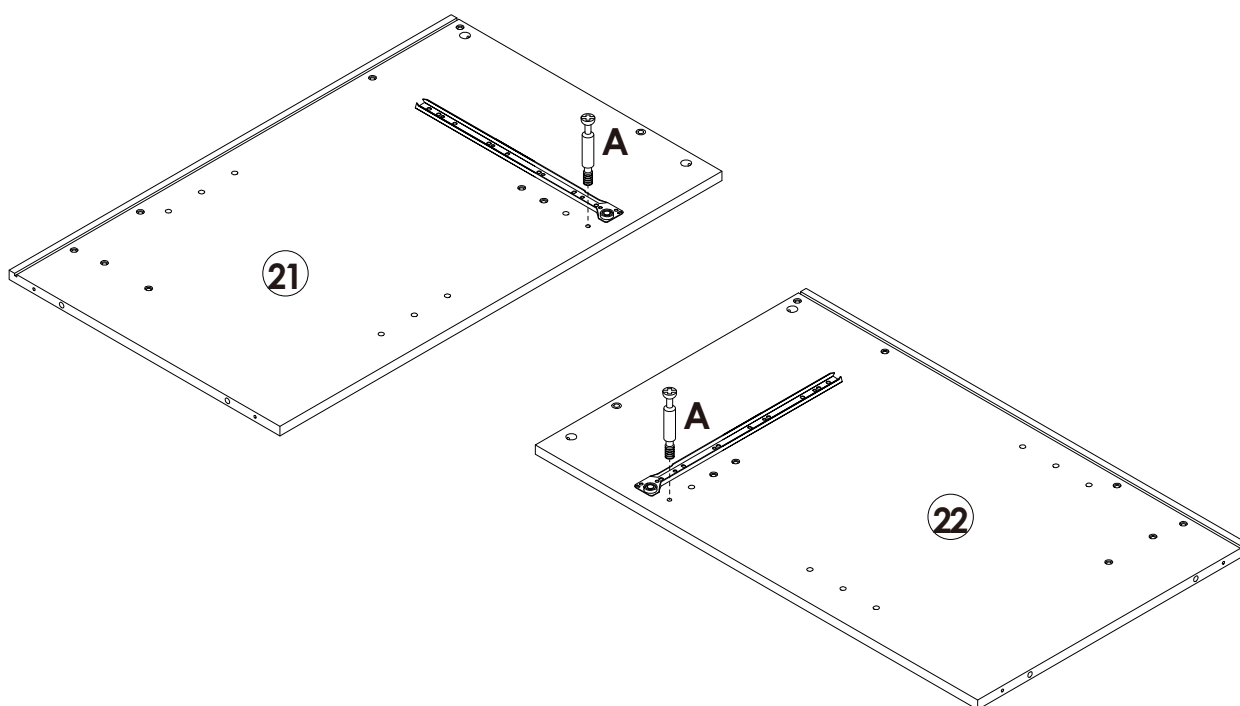


!
Turn over part 22 to install the other side.

	P x 6PCS
	CL x 1PC
	CR x 1PC

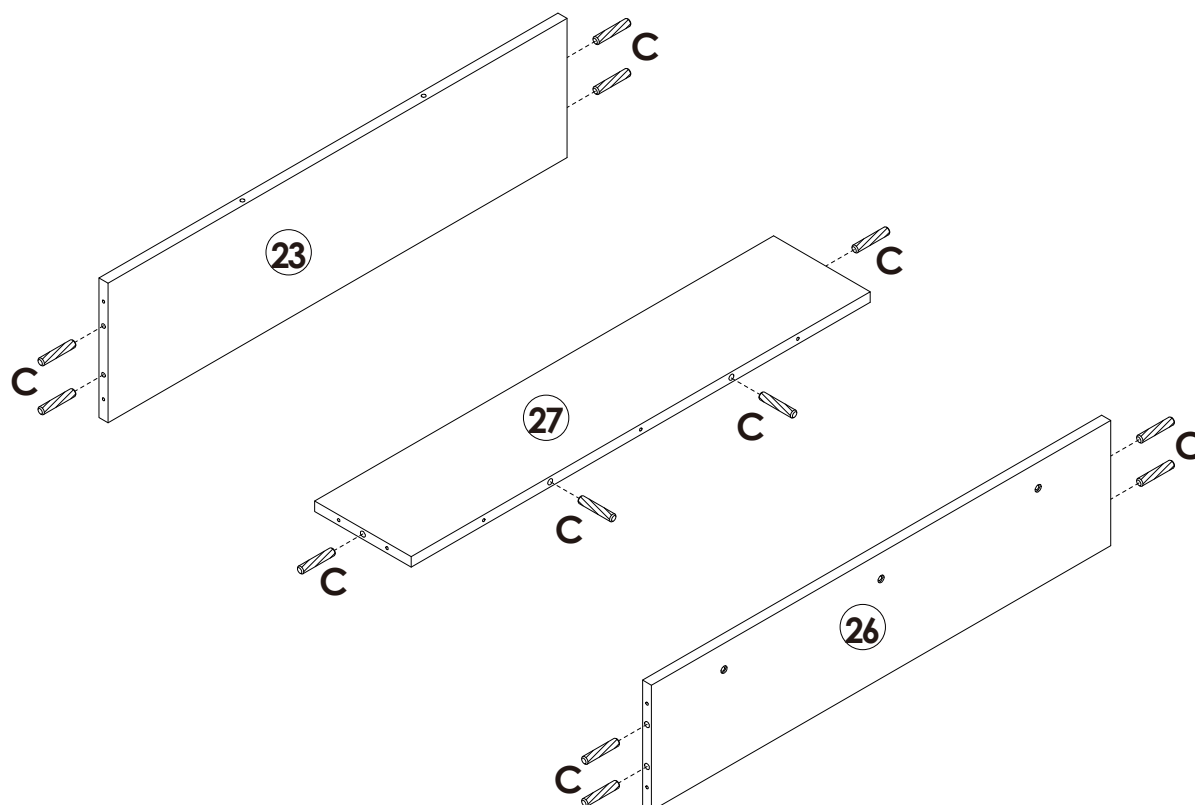
Assembly Steps(EN) / Montageschritte(DE)

STEP 3



 A x 2PCS

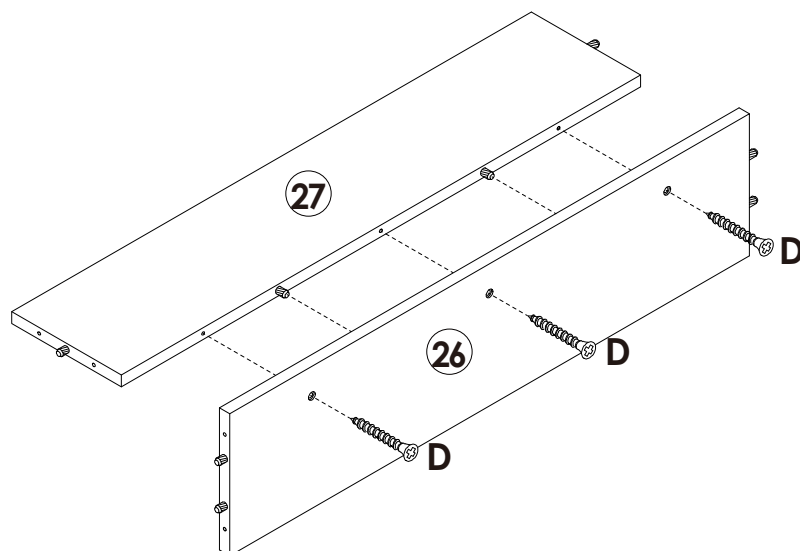
STEP 4



 C x 12PCS

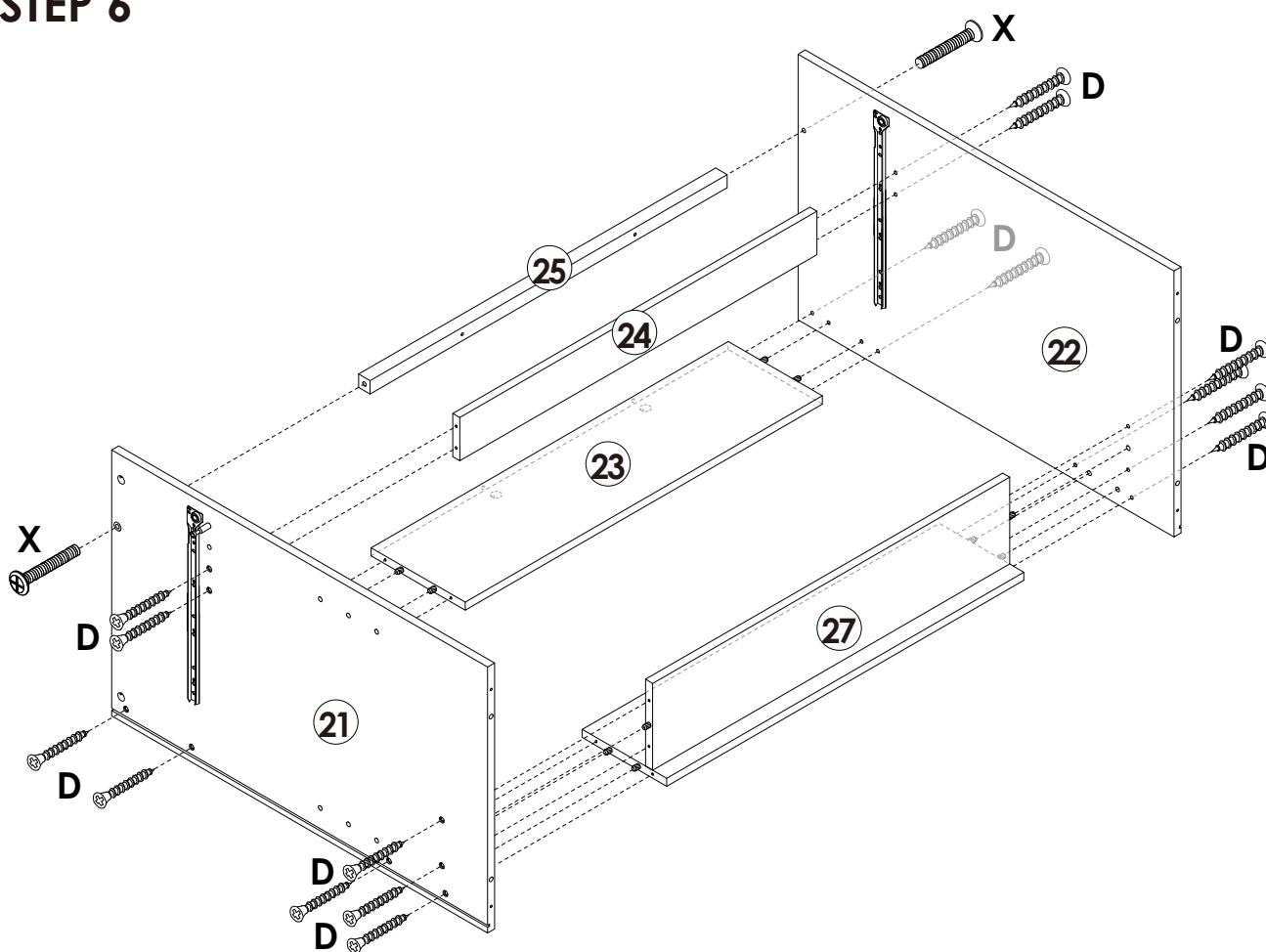
Assembly Steps(EN) / Montageschritte(DE)

STEP 5



 D x 3PCS

STEP 6

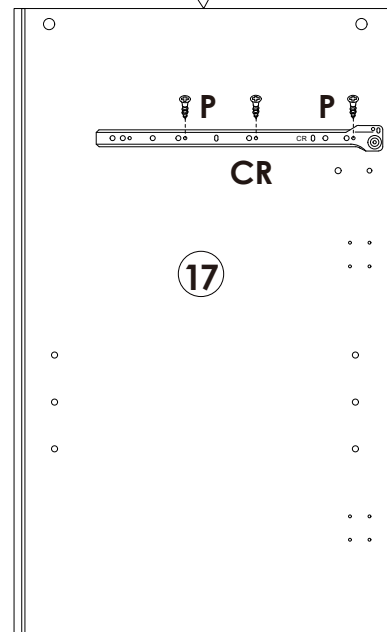
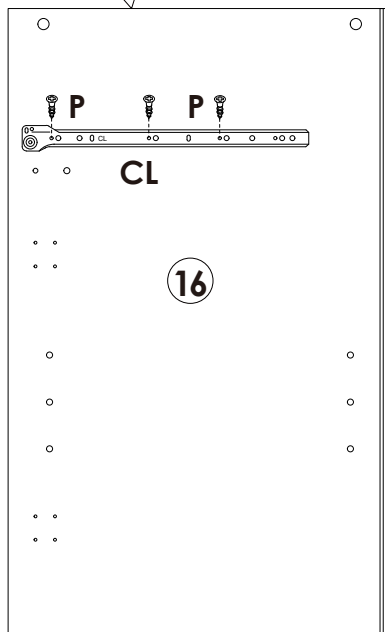
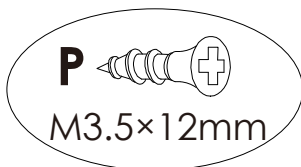
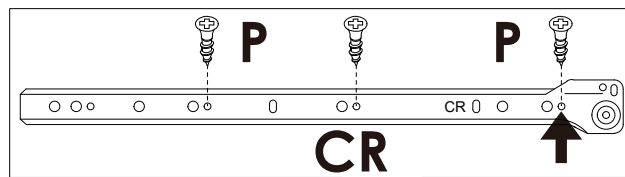
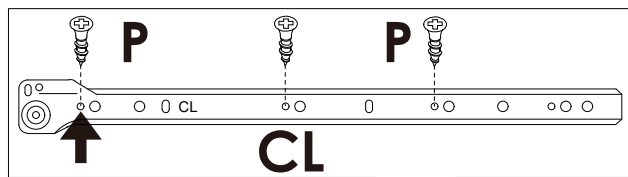


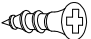


 D x 16PCS

 X x 2PCS

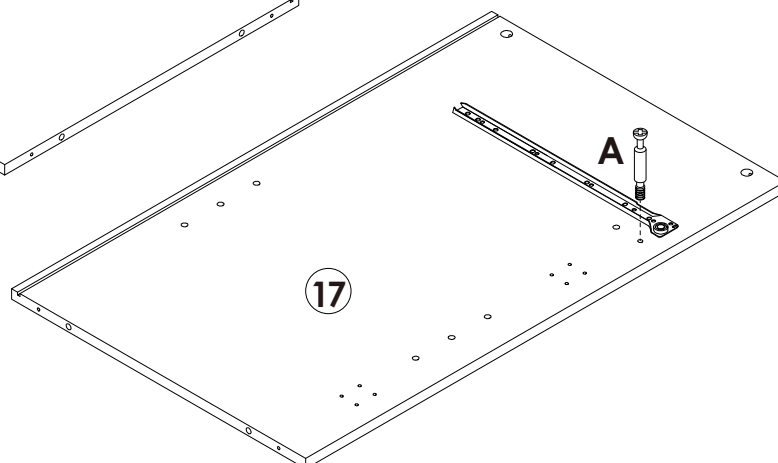
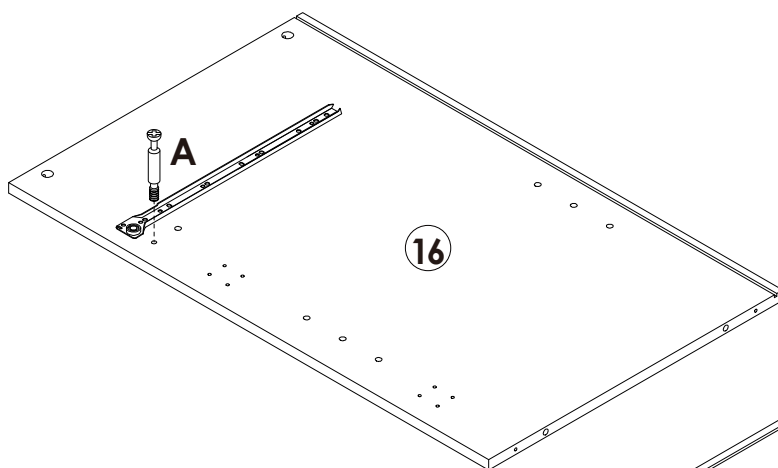
Assembly Steps(EN) / Montageschritte(DE)

STEP 7



	P x 6PCS
	CL x 1PC
	CR x 1PC

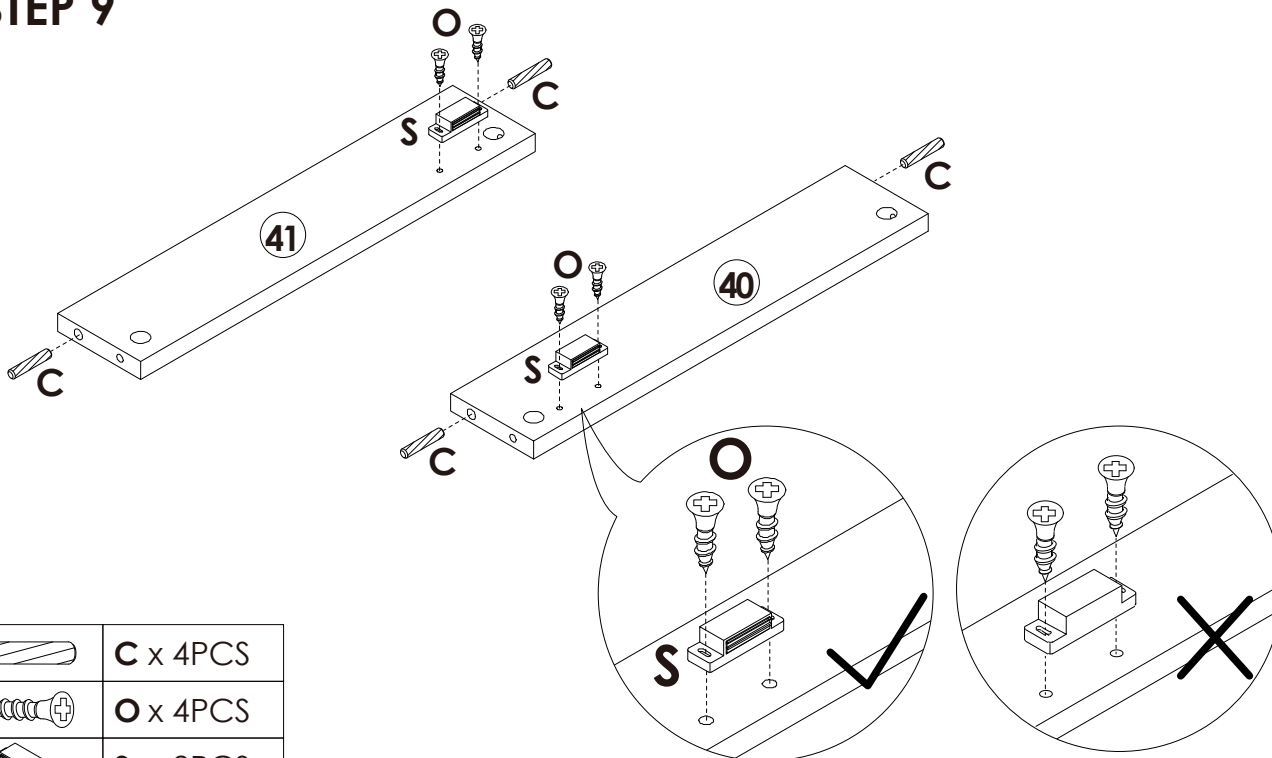
STEP 8



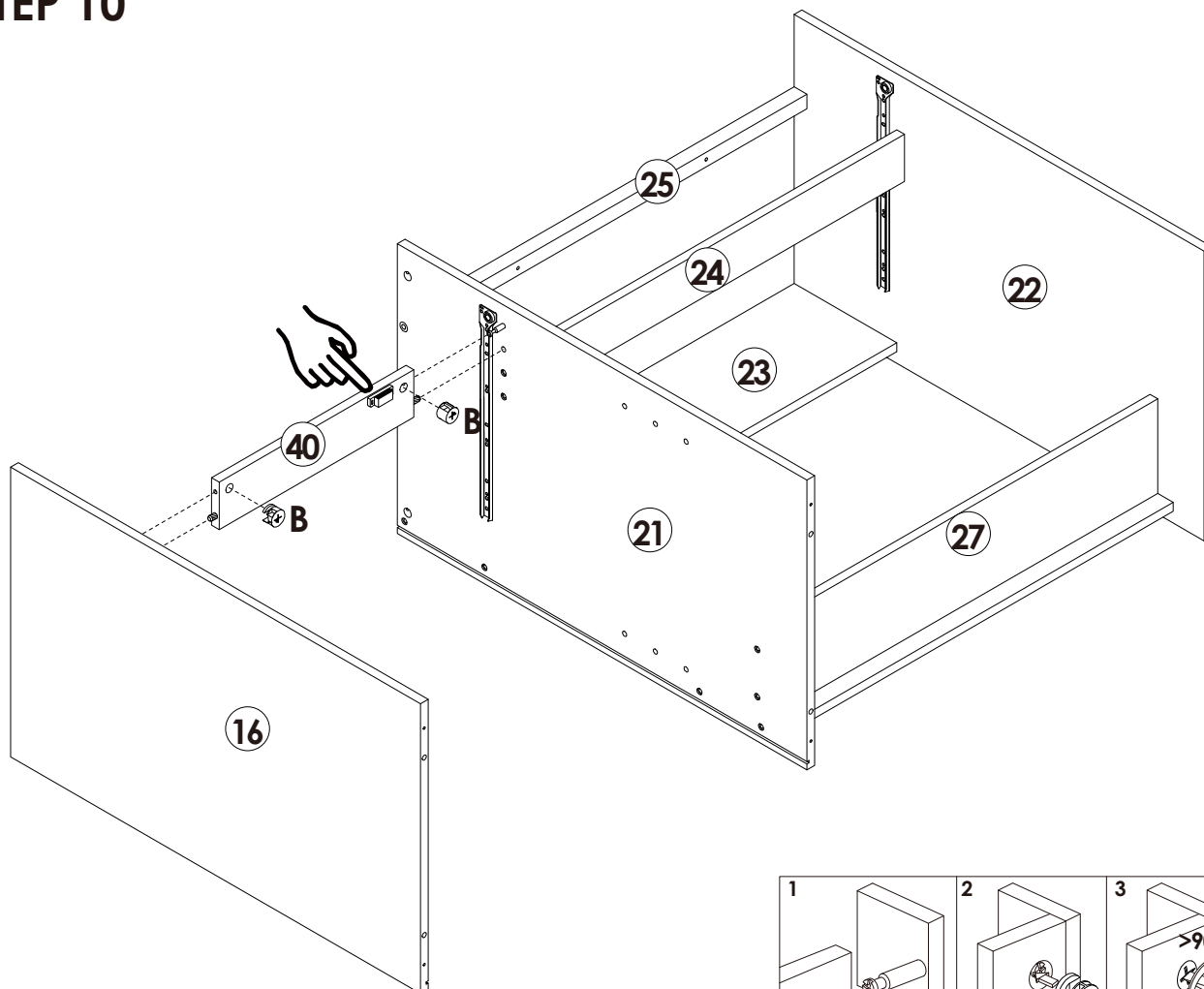
	A x 2PCS
-------------------------------------------------------------------------------------	-----------------

Assembly Steps(EN) / Montageschritte(DE)

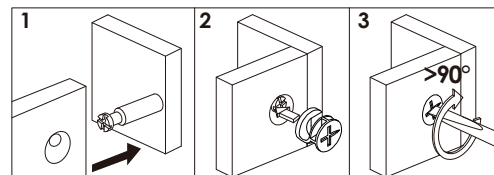
STEP 9



STEP 10

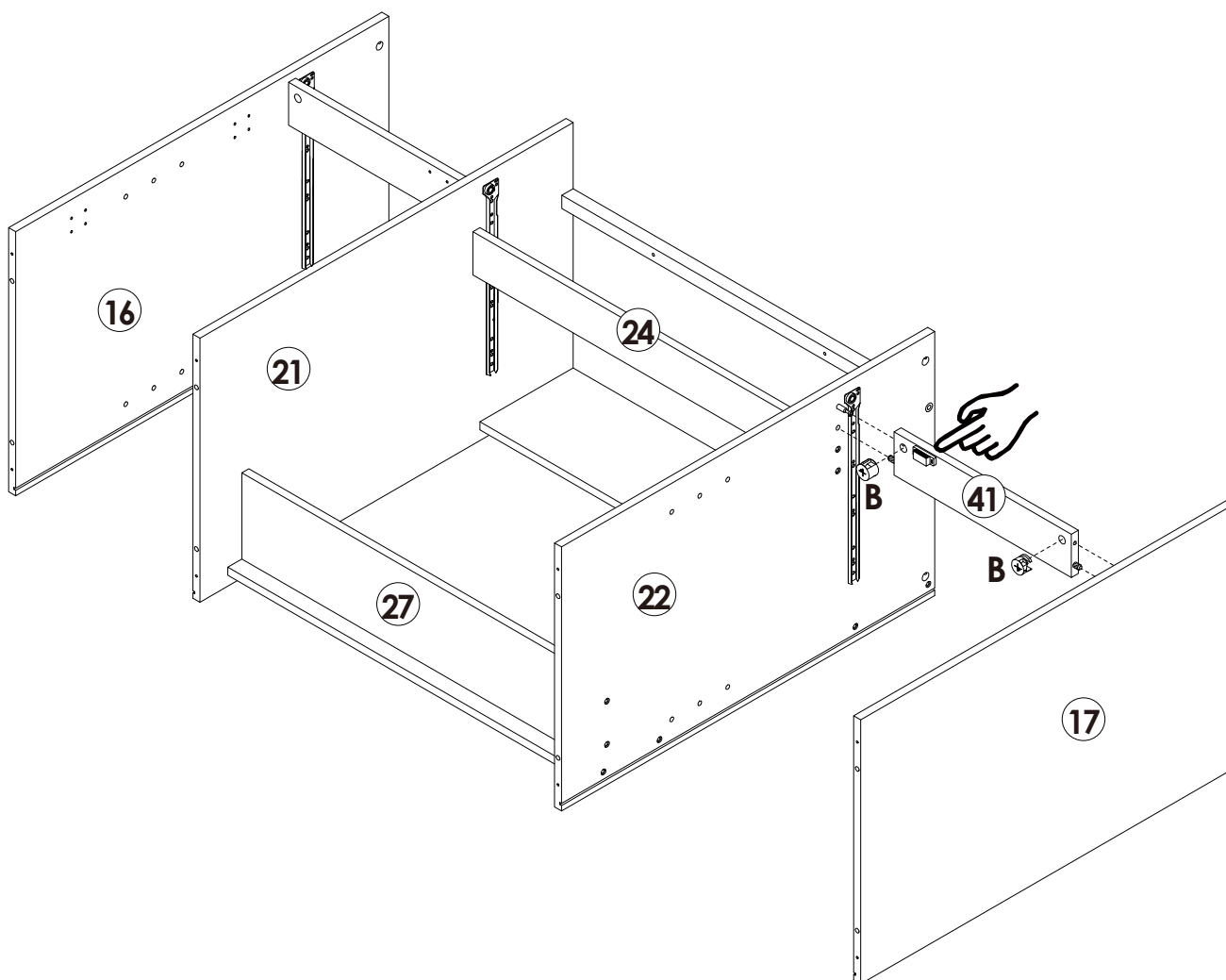


	B x 2PCS
-------------------------------------------------------------------------------------	-----------------

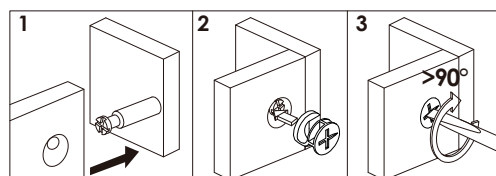


Assembly Steps(EN) / Montageschritte(DE)

STEP 11

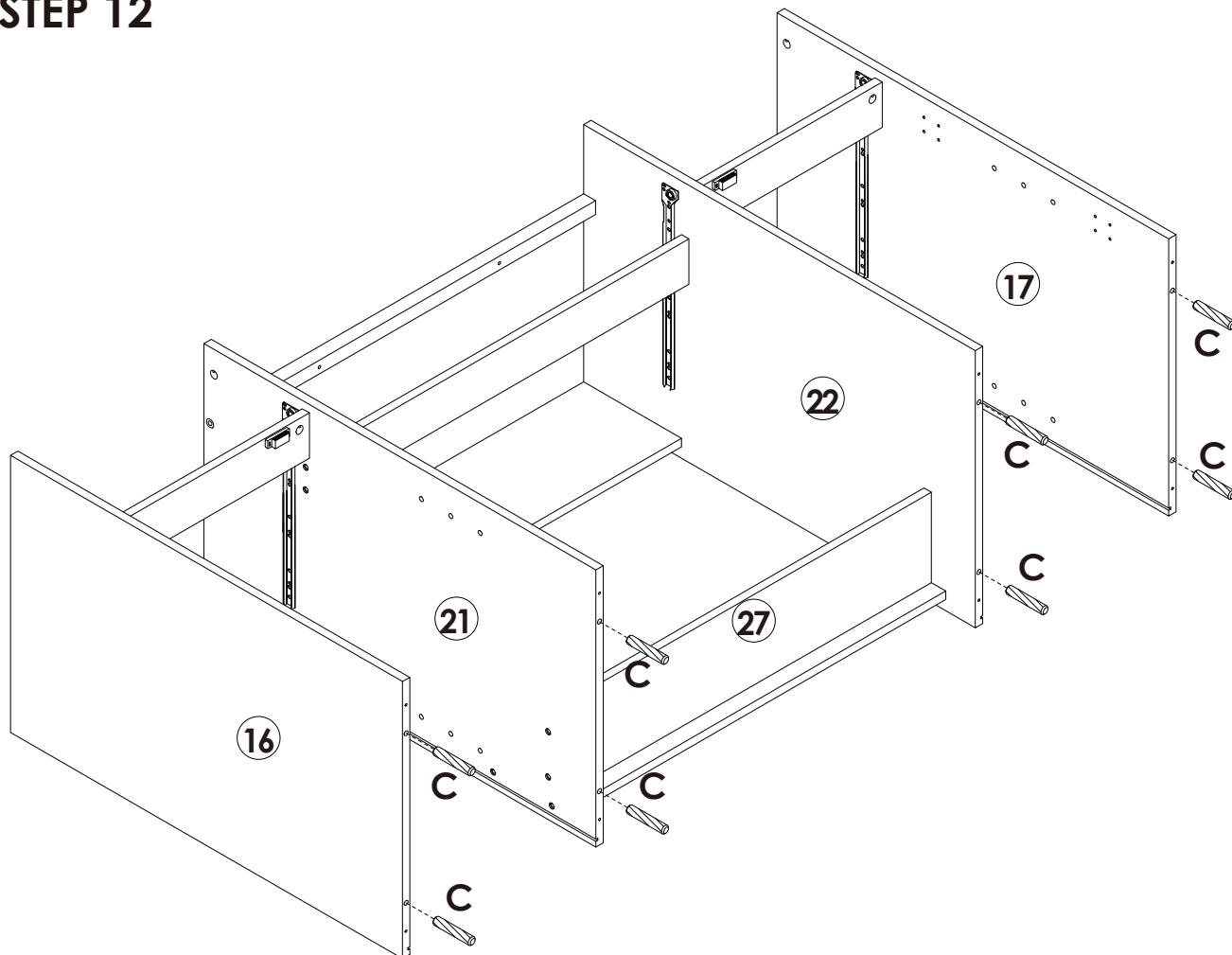


B x 2PCS



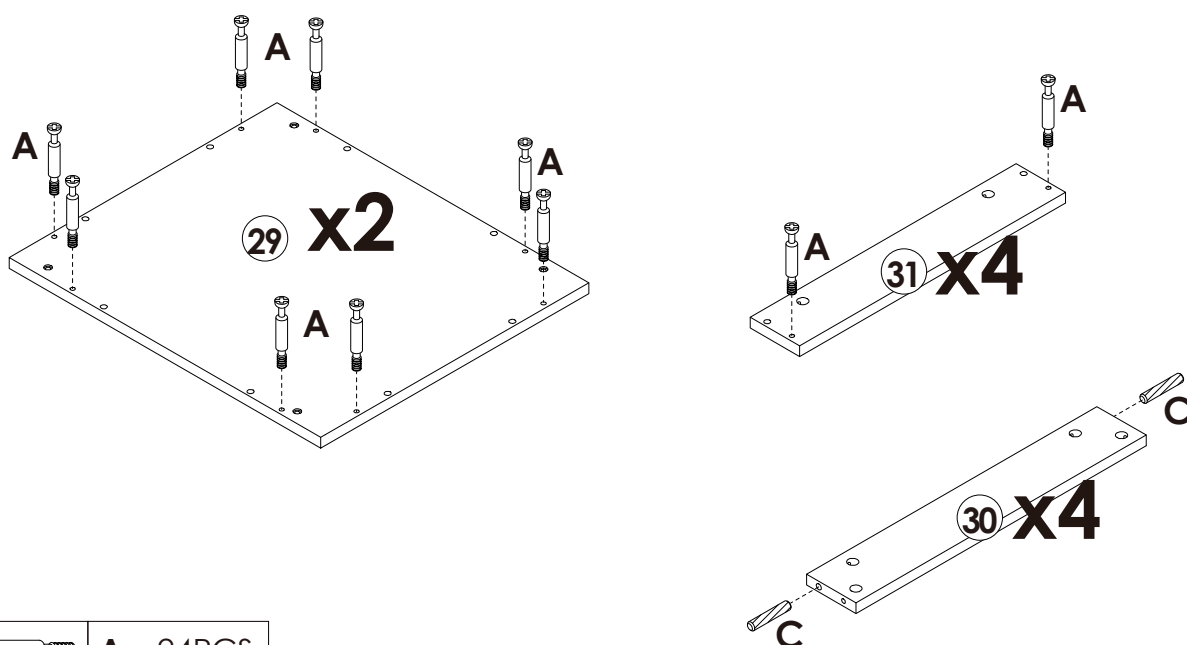
Assembly Steps(EN) / Montageschritte(DE)

STEP 12



 C x 8PCS

STEP 13

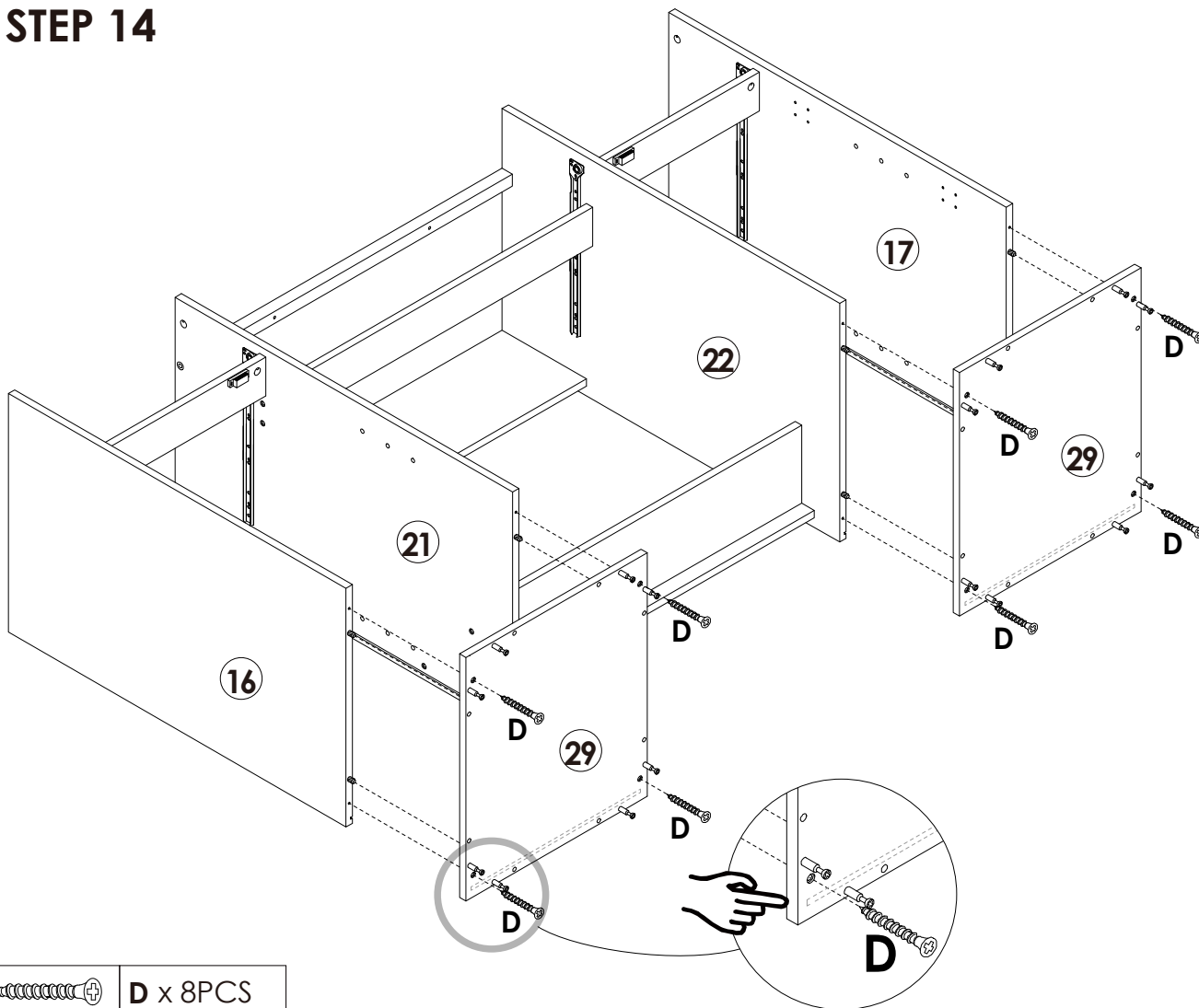


 A x 24PCS

 C x 8PCS

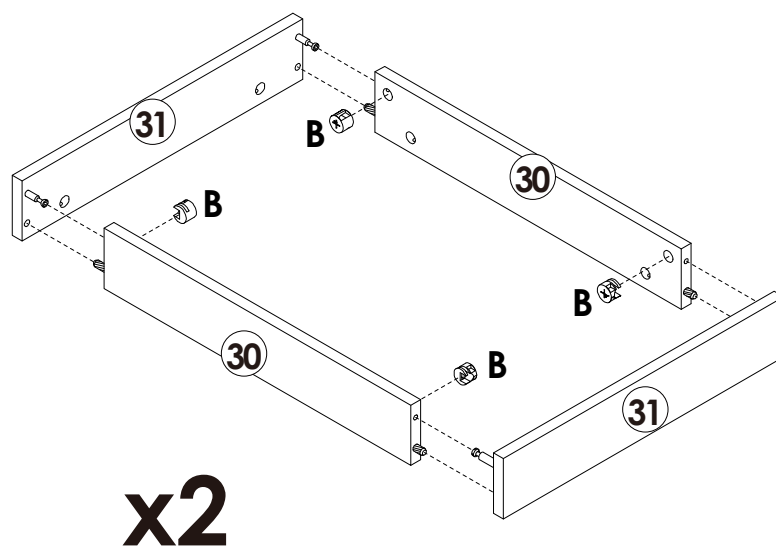
Assembly Steps(EN) / Montageschritte(DE)

STEP 14

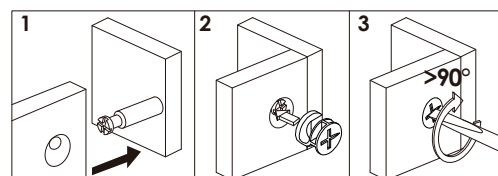


 **D x 8PCS**

STEP 15



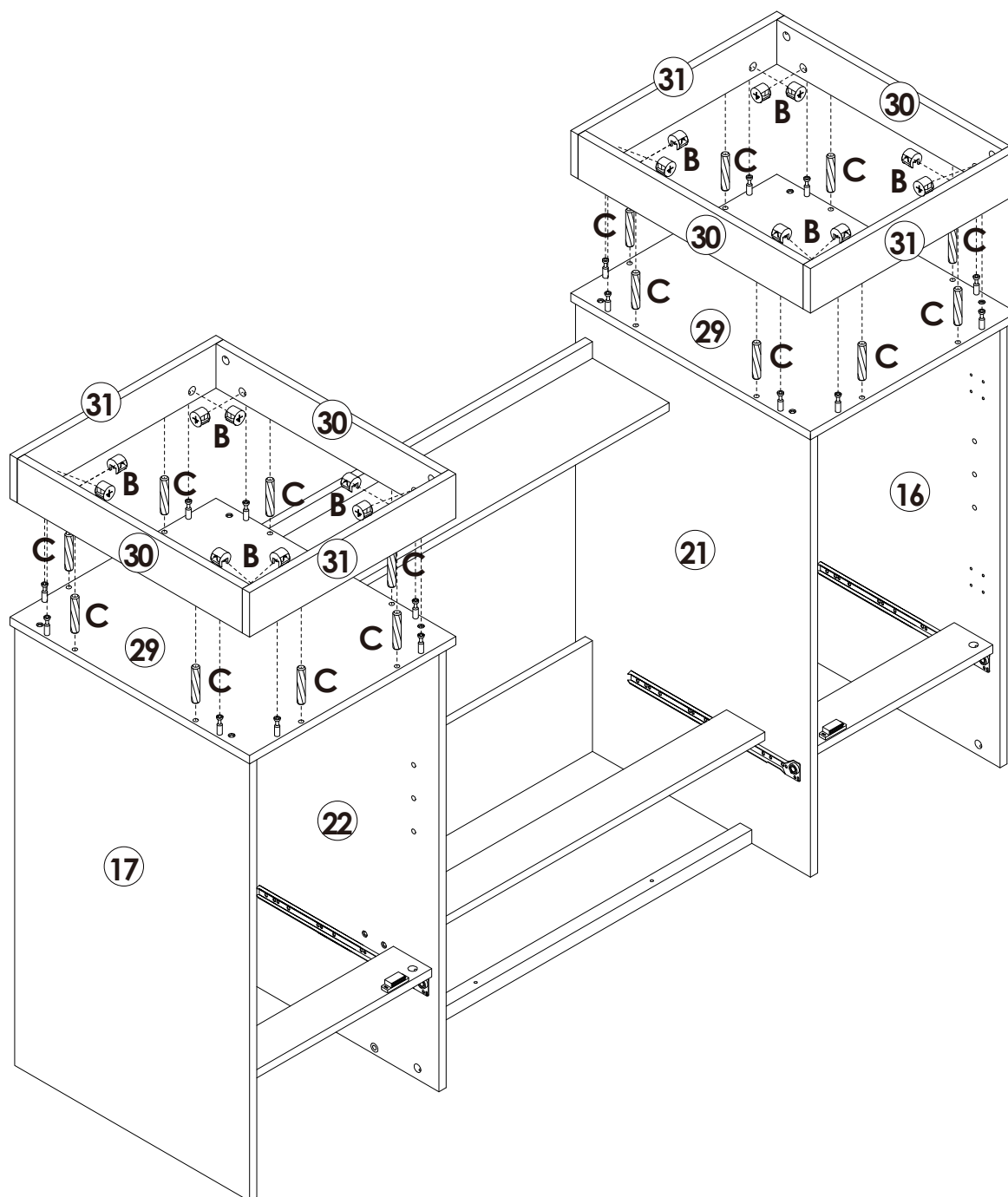
x2





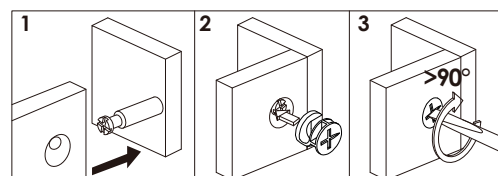
 **B x 8PCS**

Assembly Steps(EN) / Montageschritte(DE)

STEP 16

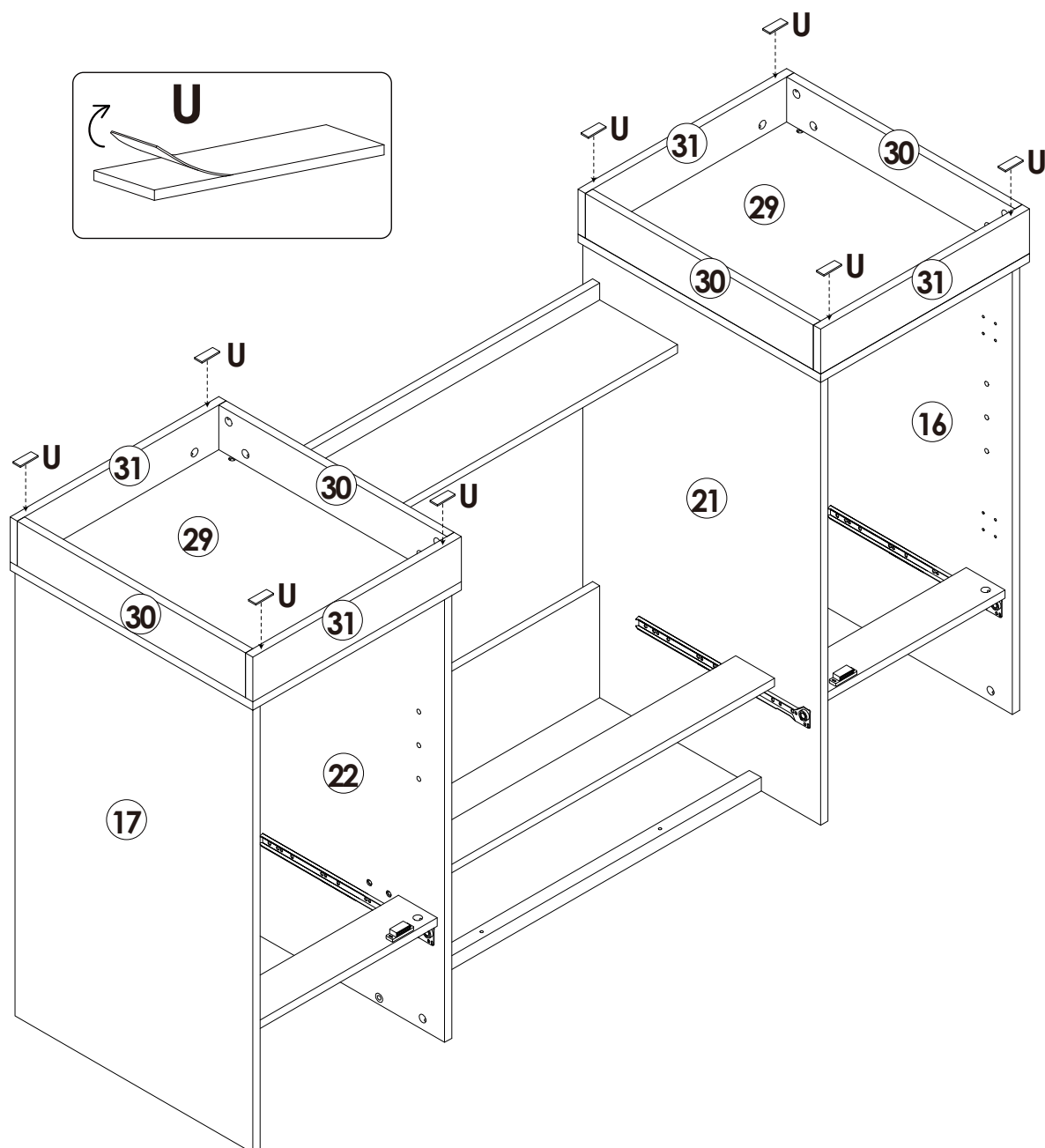
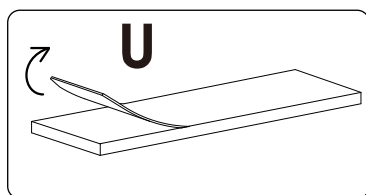


	B x 16PCS
	C x 16PCS



Assembly Steps(EN) / Montageschritte(DE)

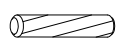
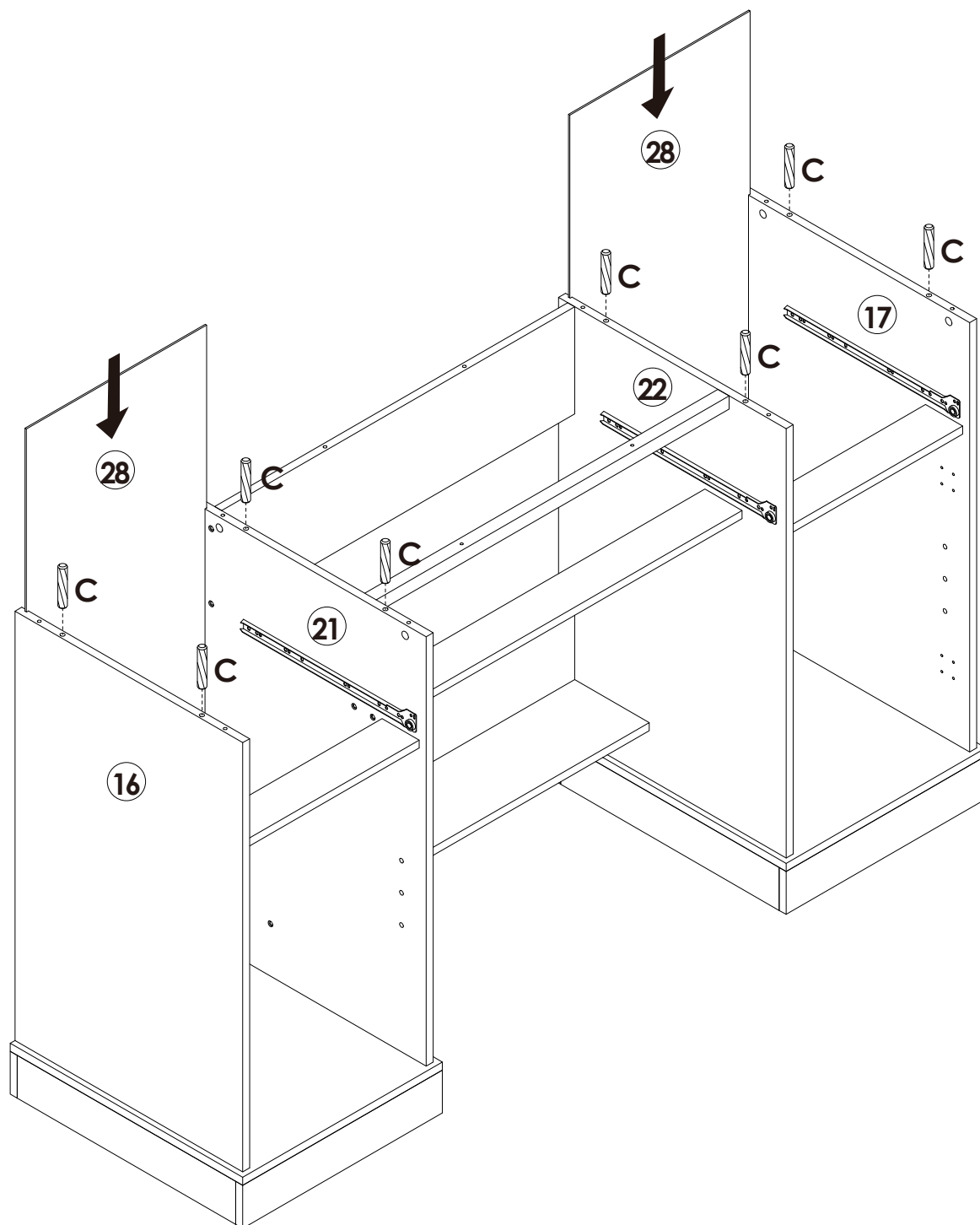
STEP 17



U x 8PCS

Assembly Steps(EN) / Montageschritte(DE)

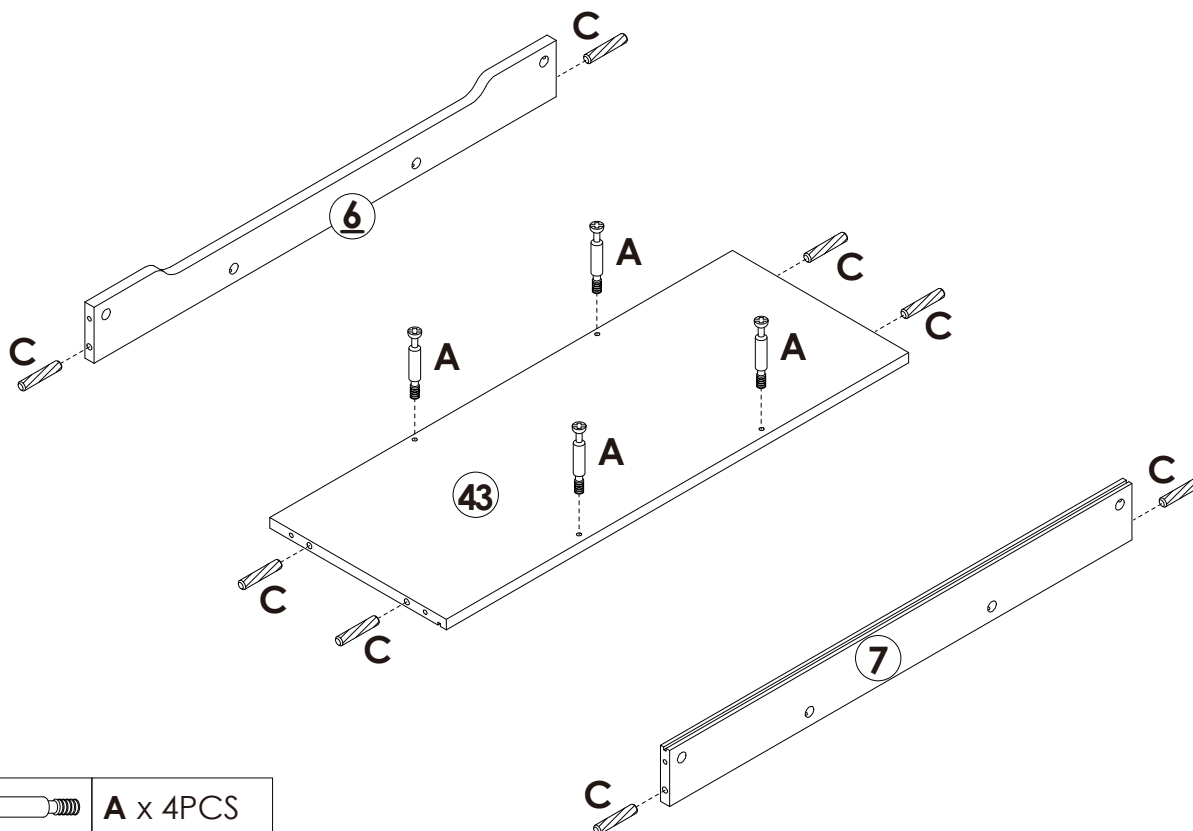
STEP 18

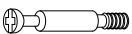
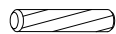


C x 8PCS

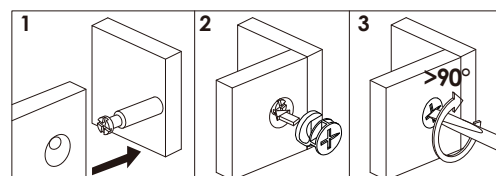
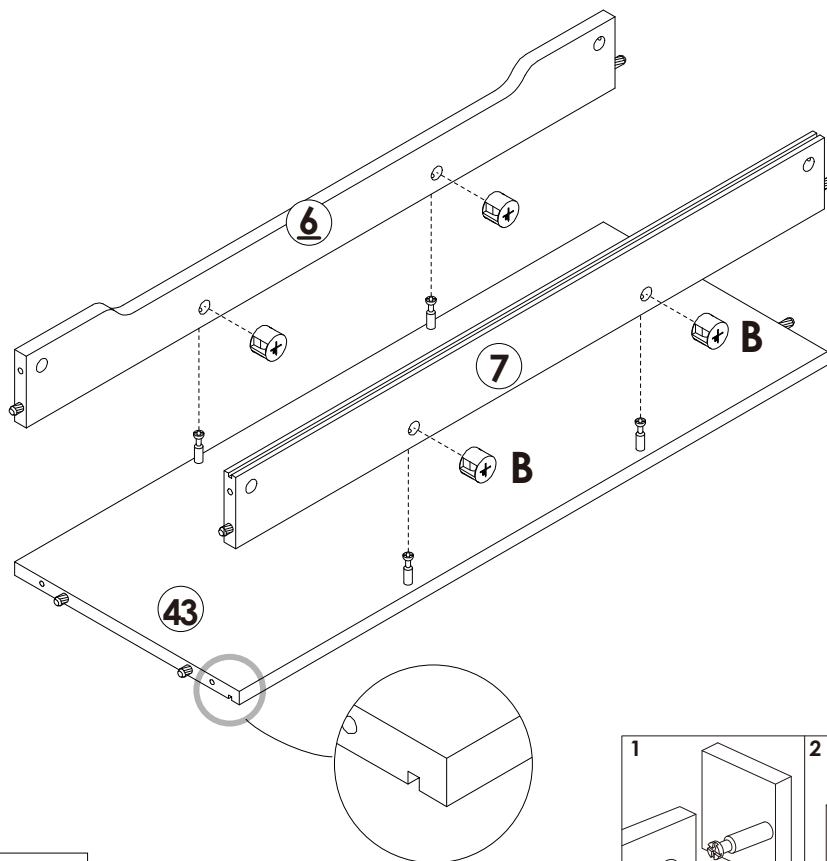
Assembly Steps(EN) / Montageschritte(DE)

STEP 19



	A x 4PCS
	C x 8PCS

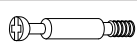
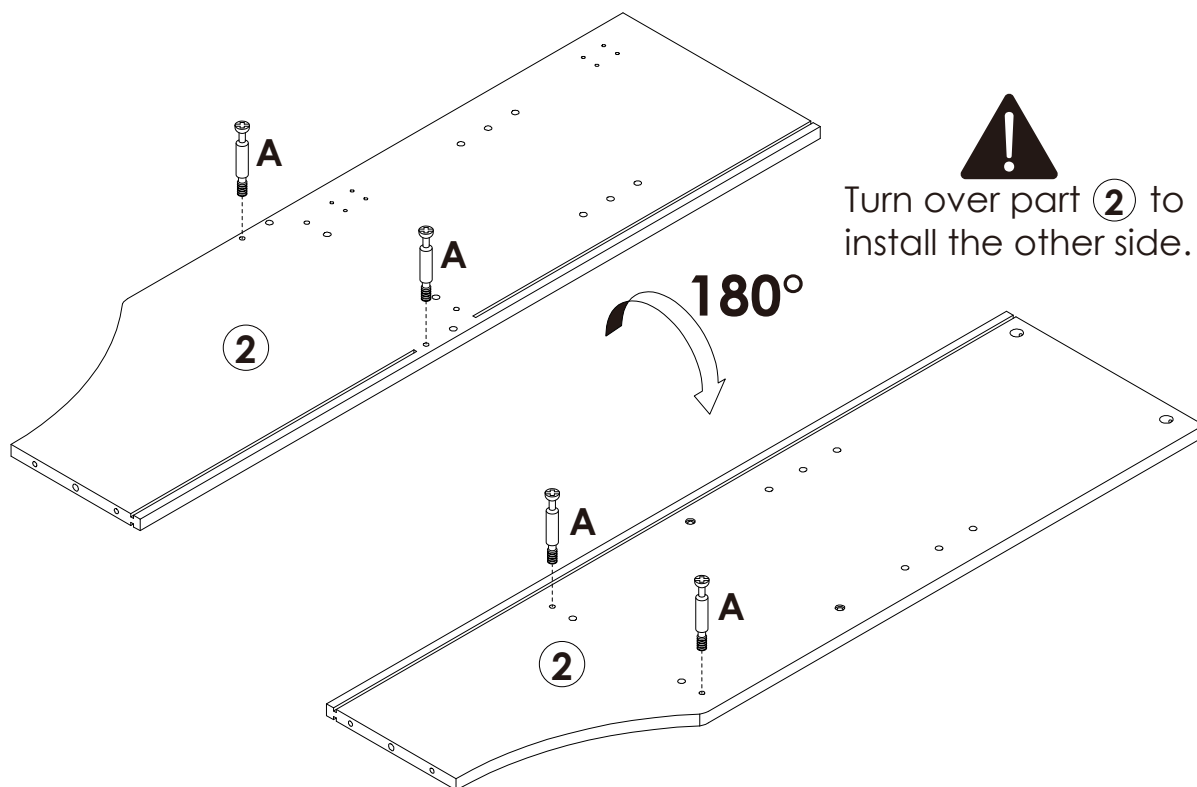
STEP 20



	B x 4PCS
-------------------------------------------------------------------------------------	-----------------

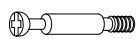
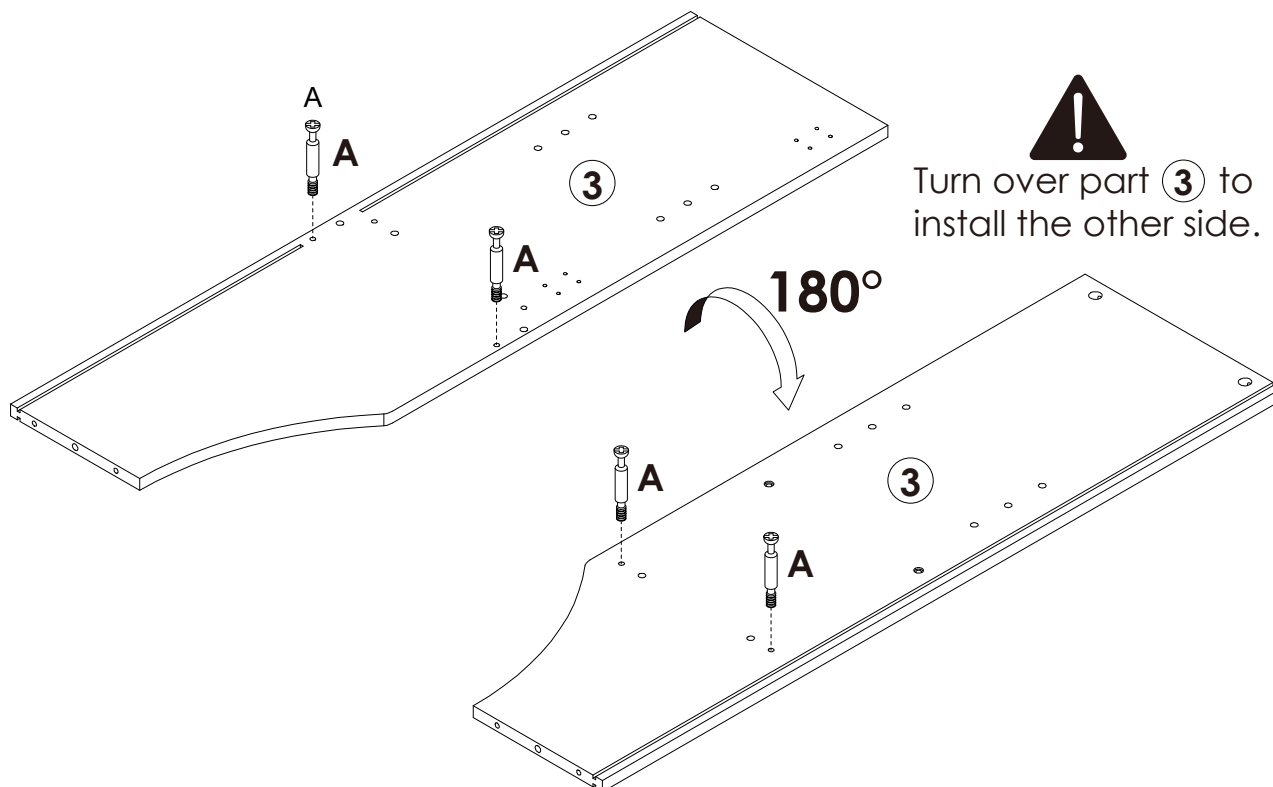
Assembly Steps(EN) / Montageschritte(DE)

STEP 21



A x 4PCS

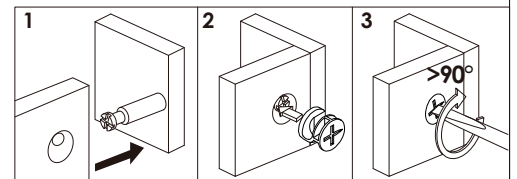
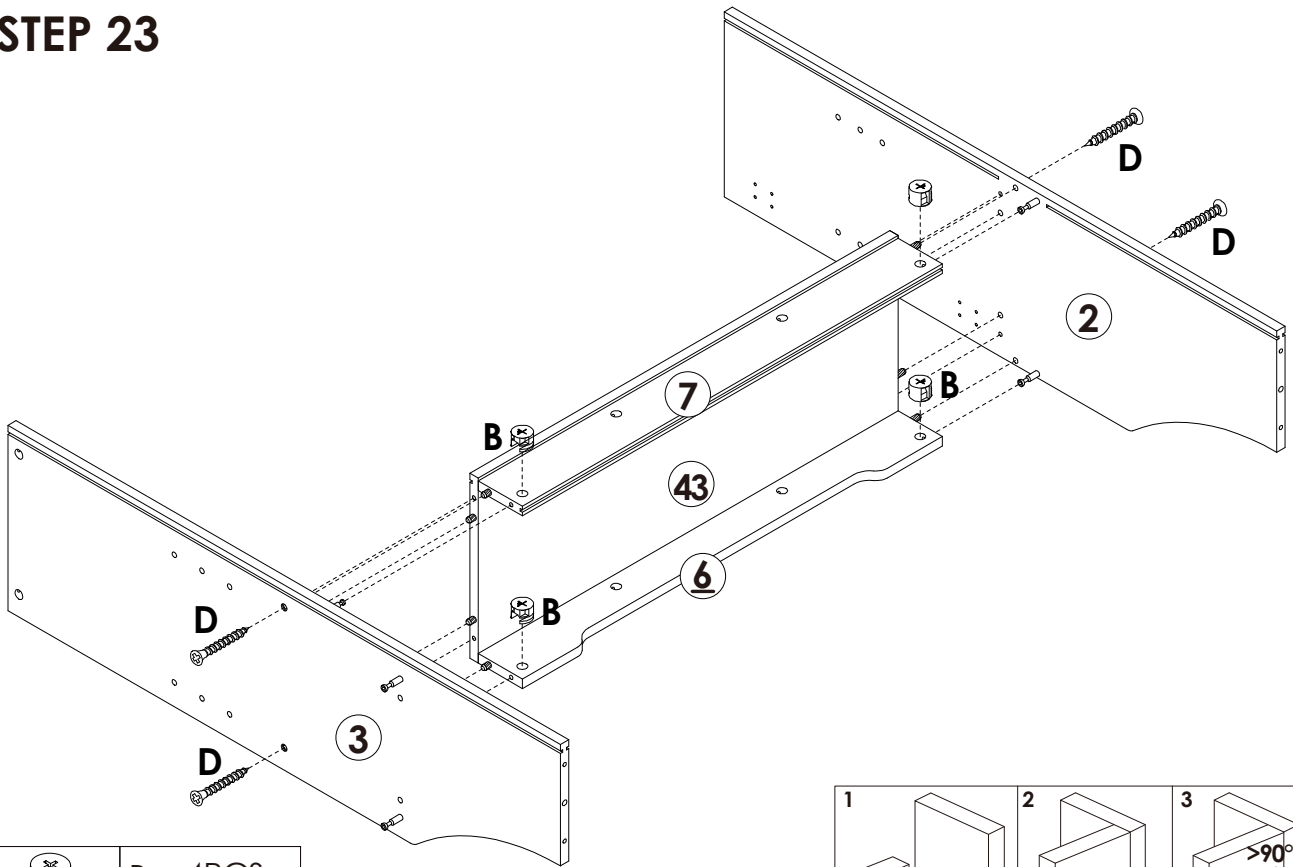
STEP 22


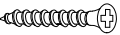


A x 4PCS

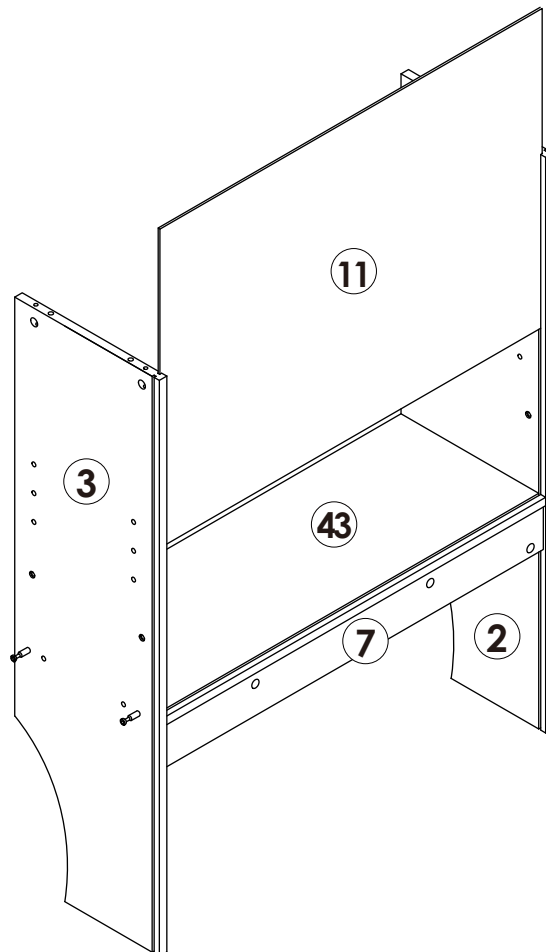
Assembly Steps(EN) / Montageschritte(DE)

STEP 23



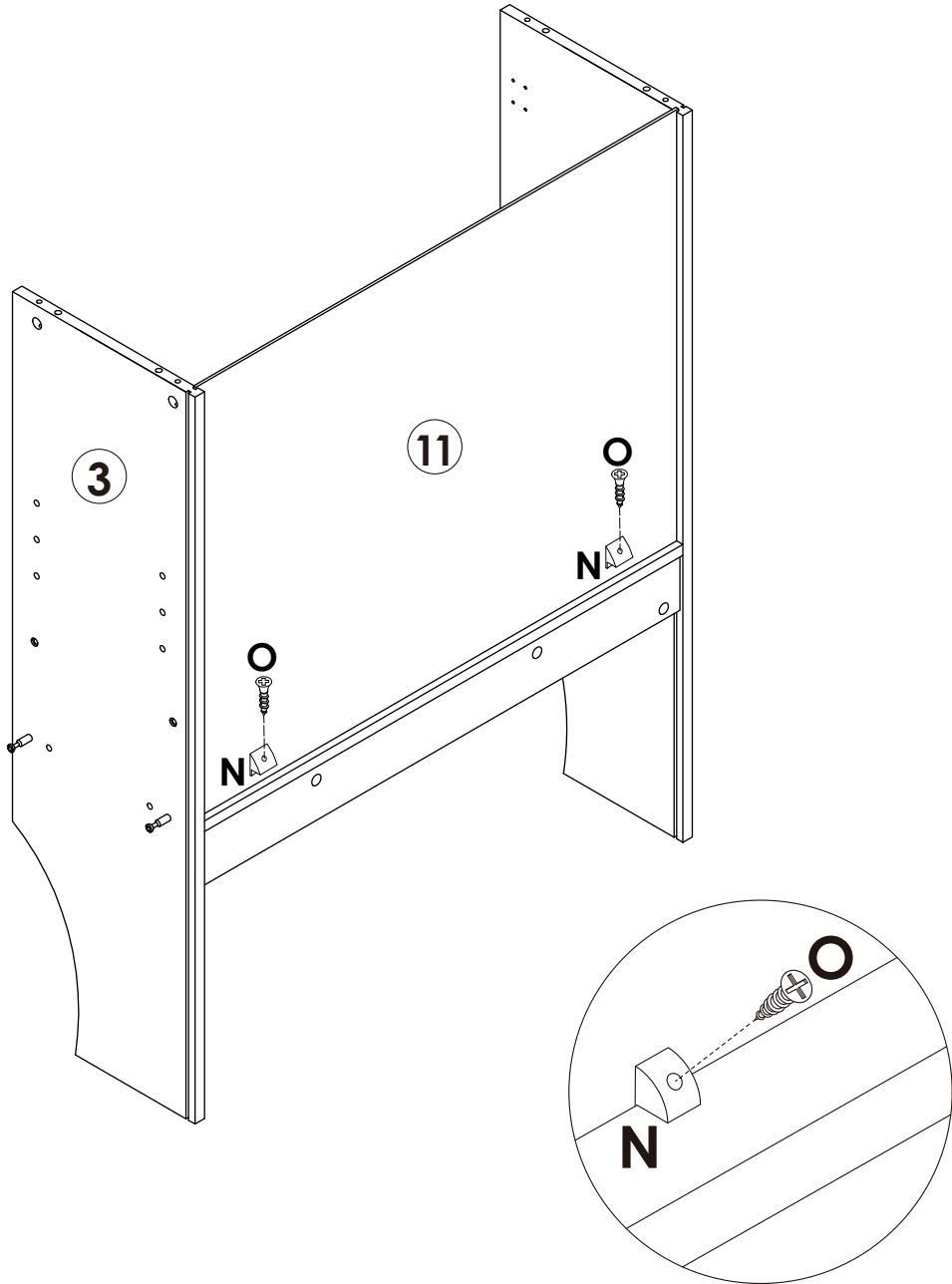
	B x 4PCS
	D x 4PCS



STEP 24



Assembly Steps(EN) / Montageschritte(DE)

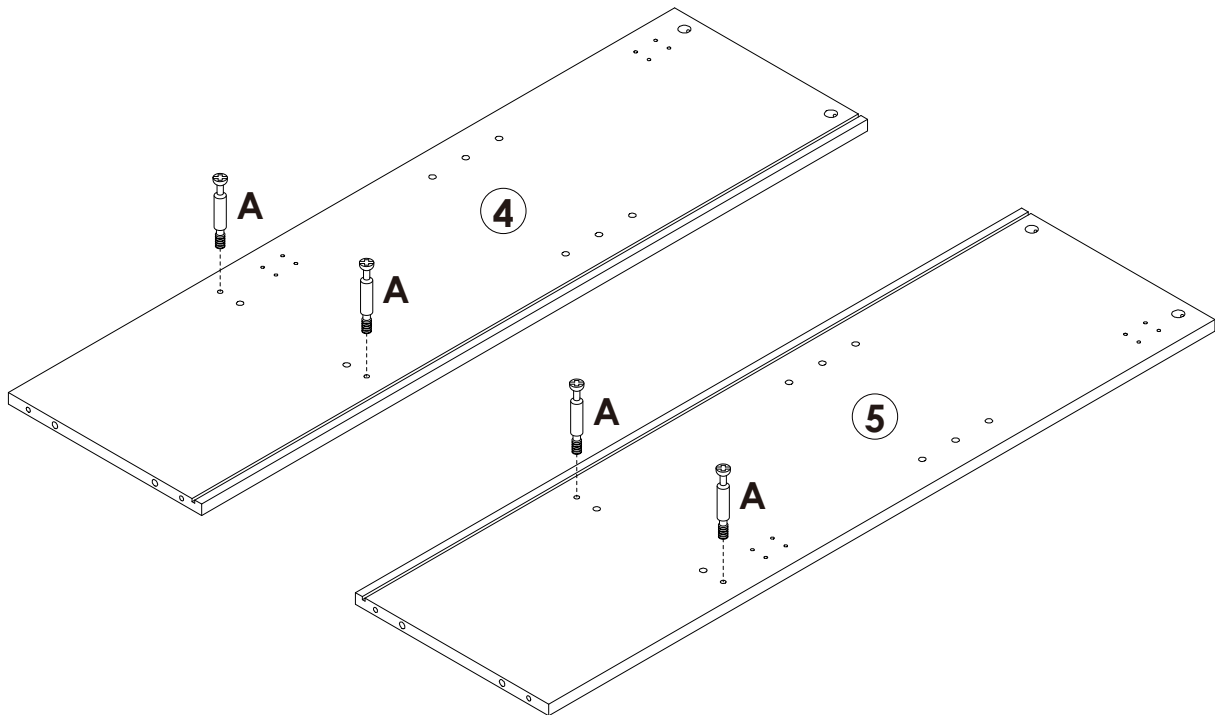
STEP 25

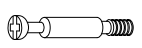


	N x 2PCS
	O x 2PCS

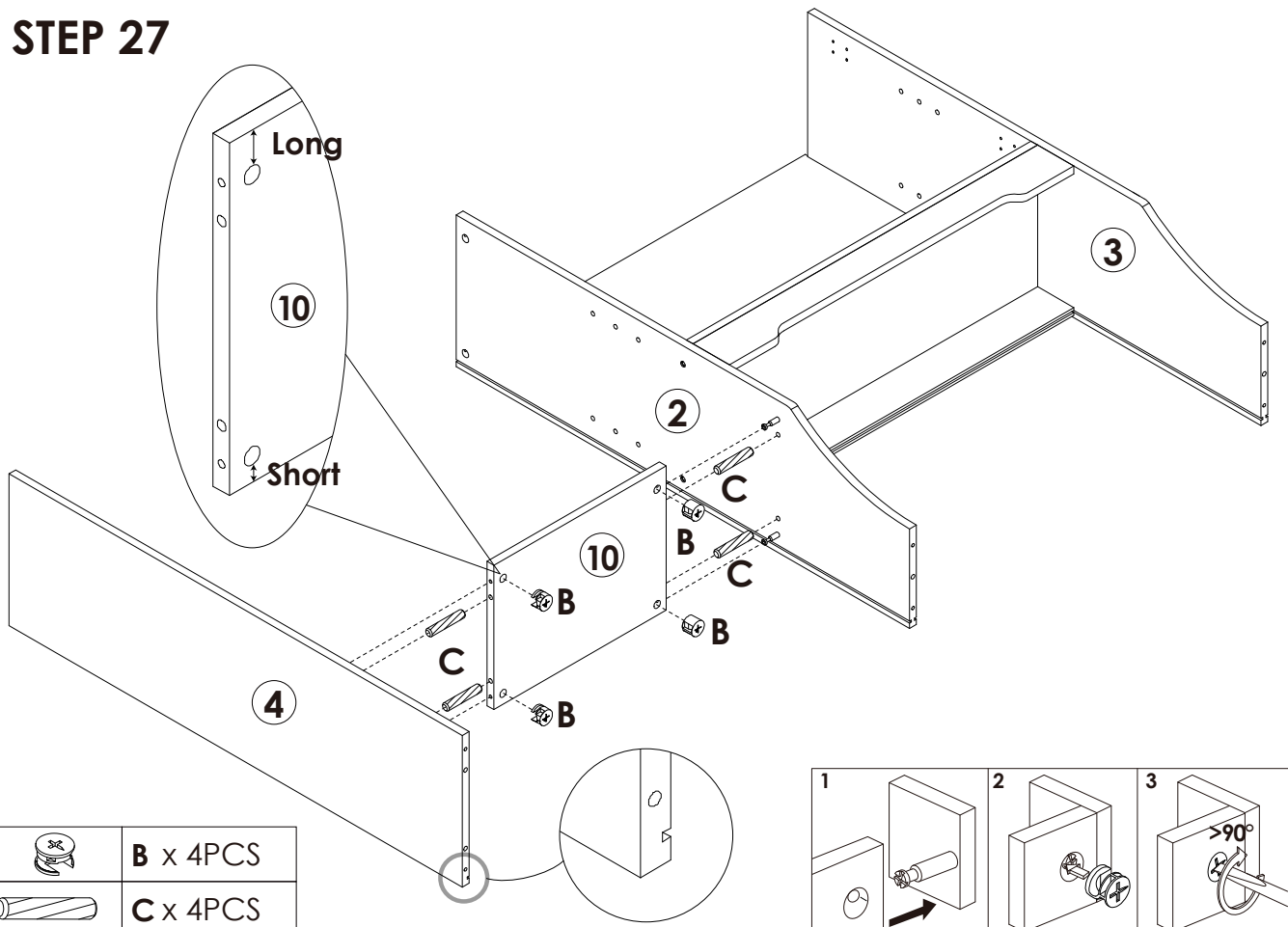
Assembly Steps(EN) / Montageschritte(DE)

STEP 26



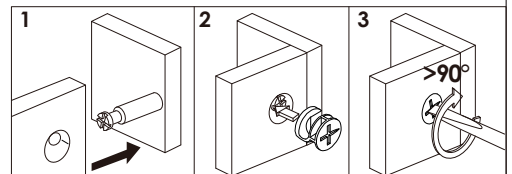
 **A x 4PCS**

STEP 27



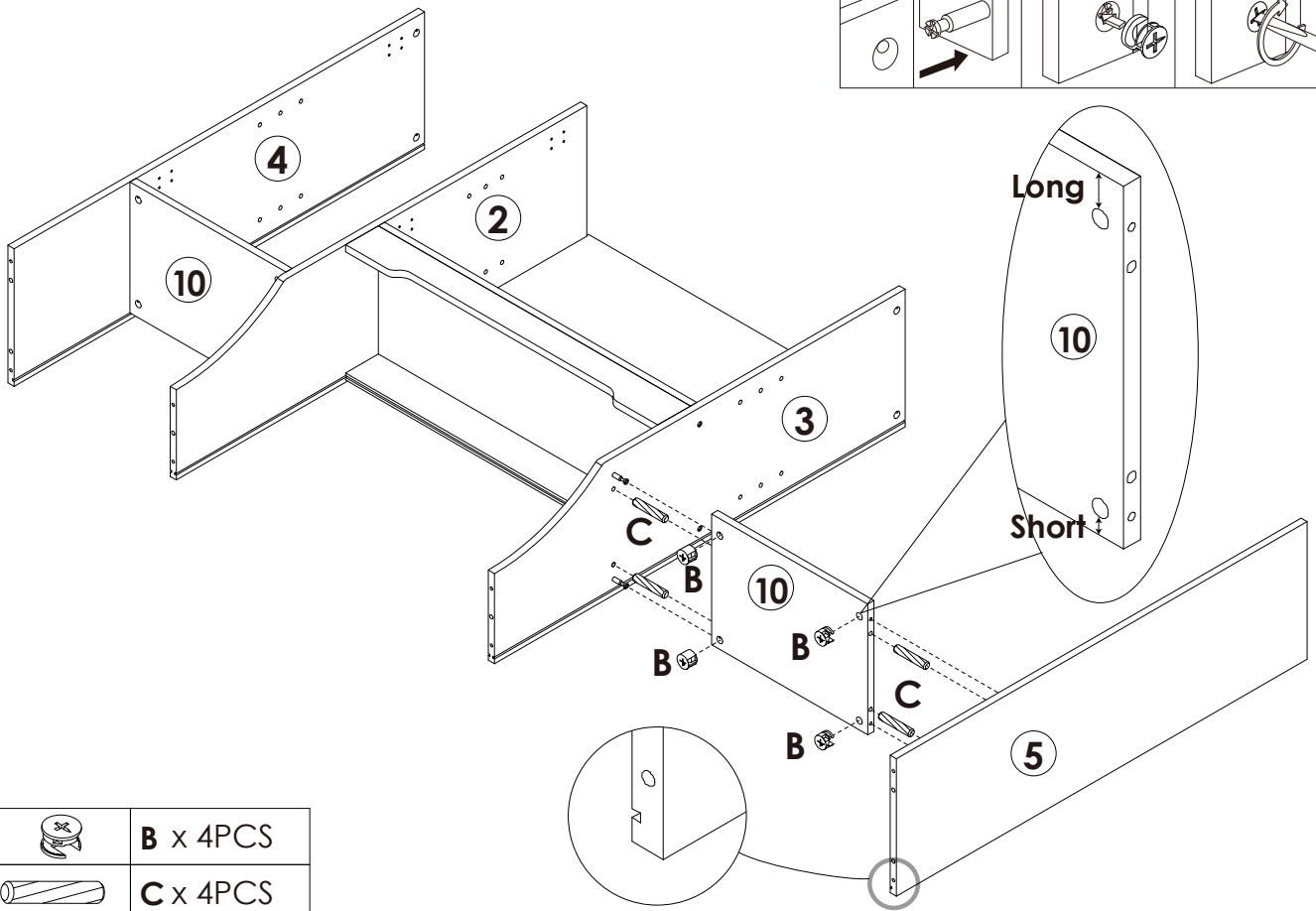
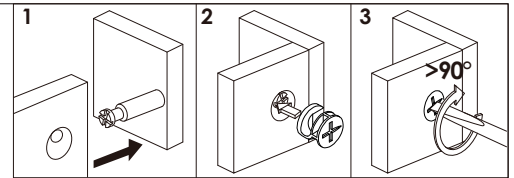
 **B x 4PCS**

 **C x 4PCS**



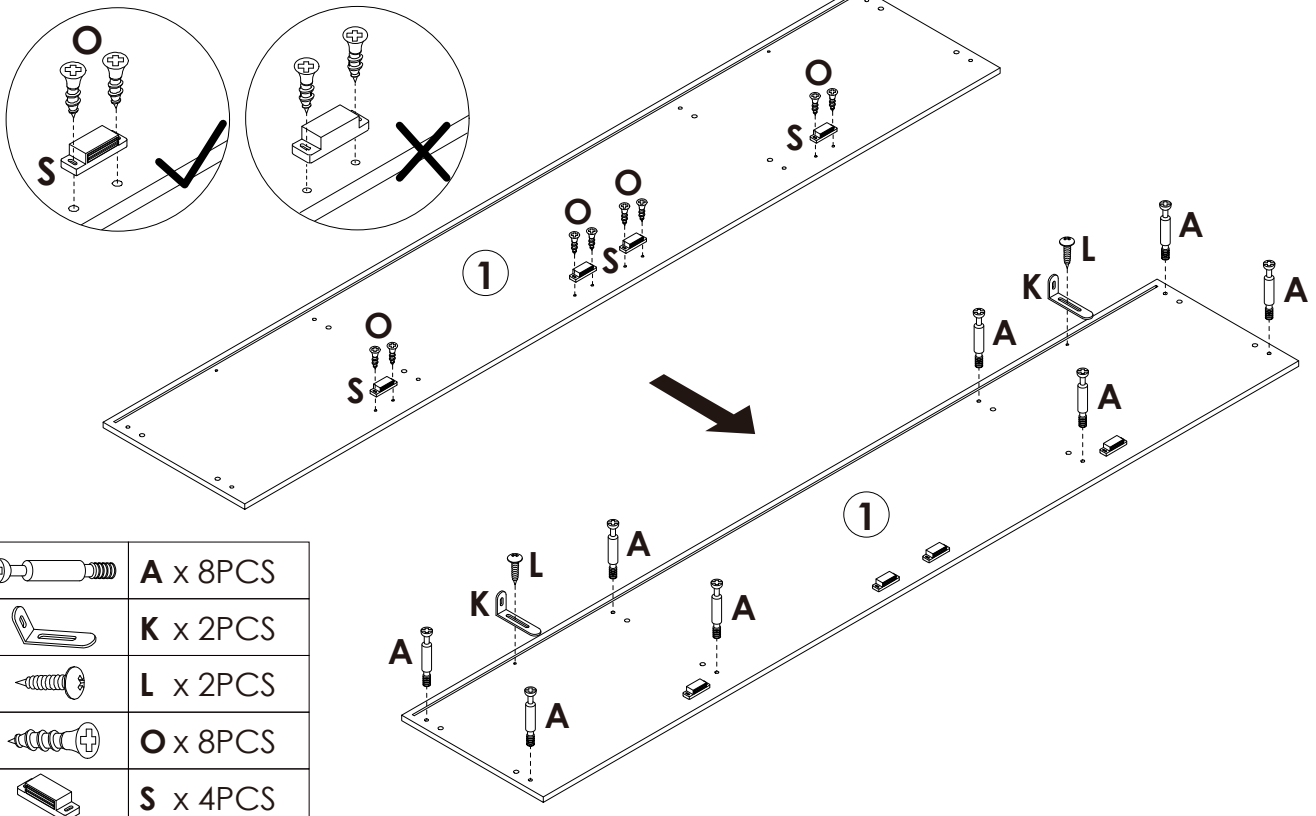
Assembly Steps(EN) / Montageschritte(DE)

STEP 28



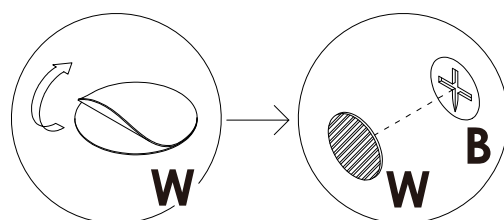
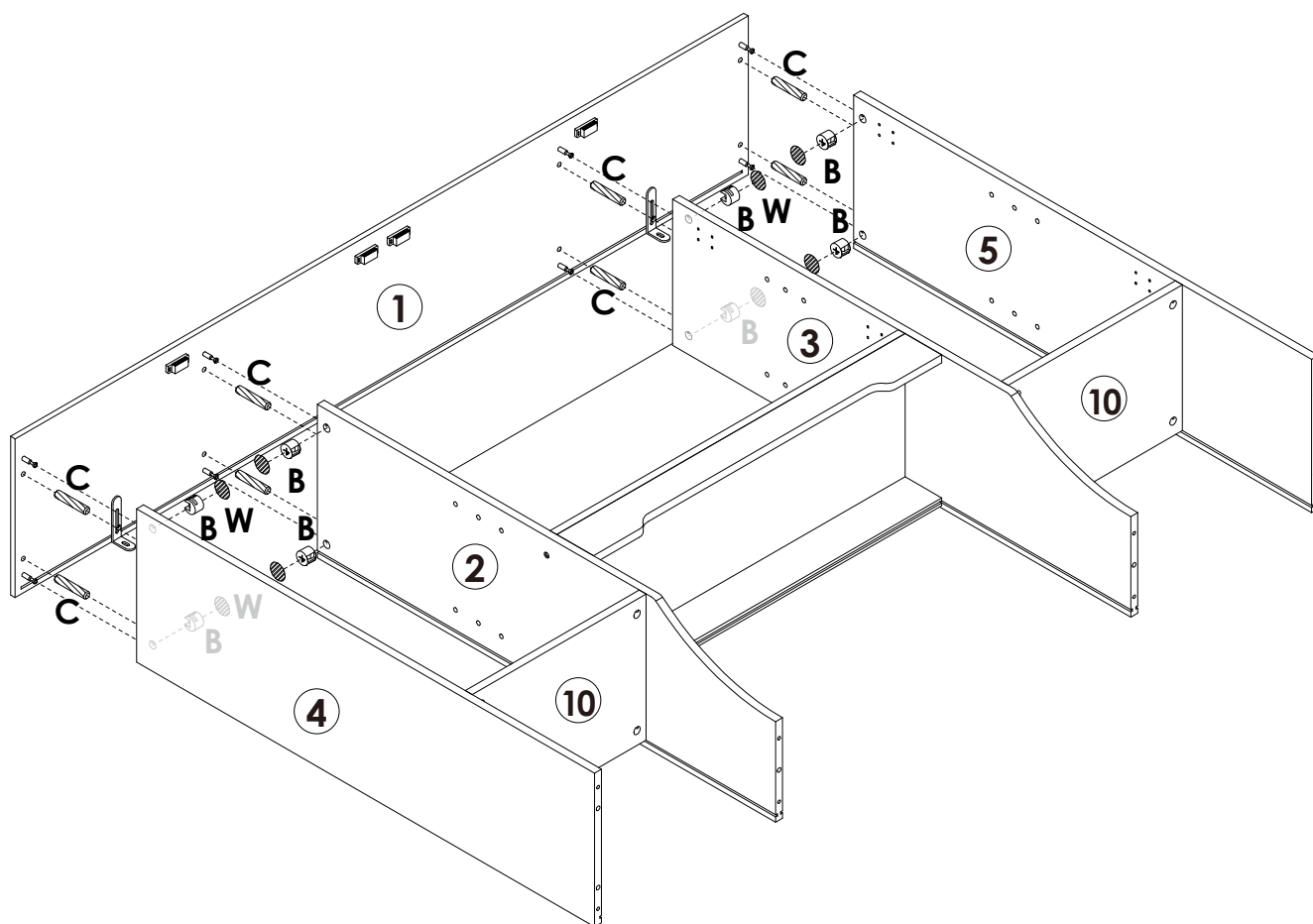
STEP 29




Lock the long side of the "K" L-shaped metal plate to the ① board with the "L" short screw

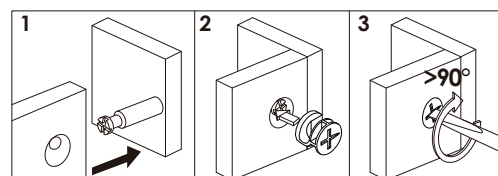


Assembly Steps(EN) / Montageschritte(DE)

STEP 30

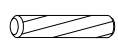
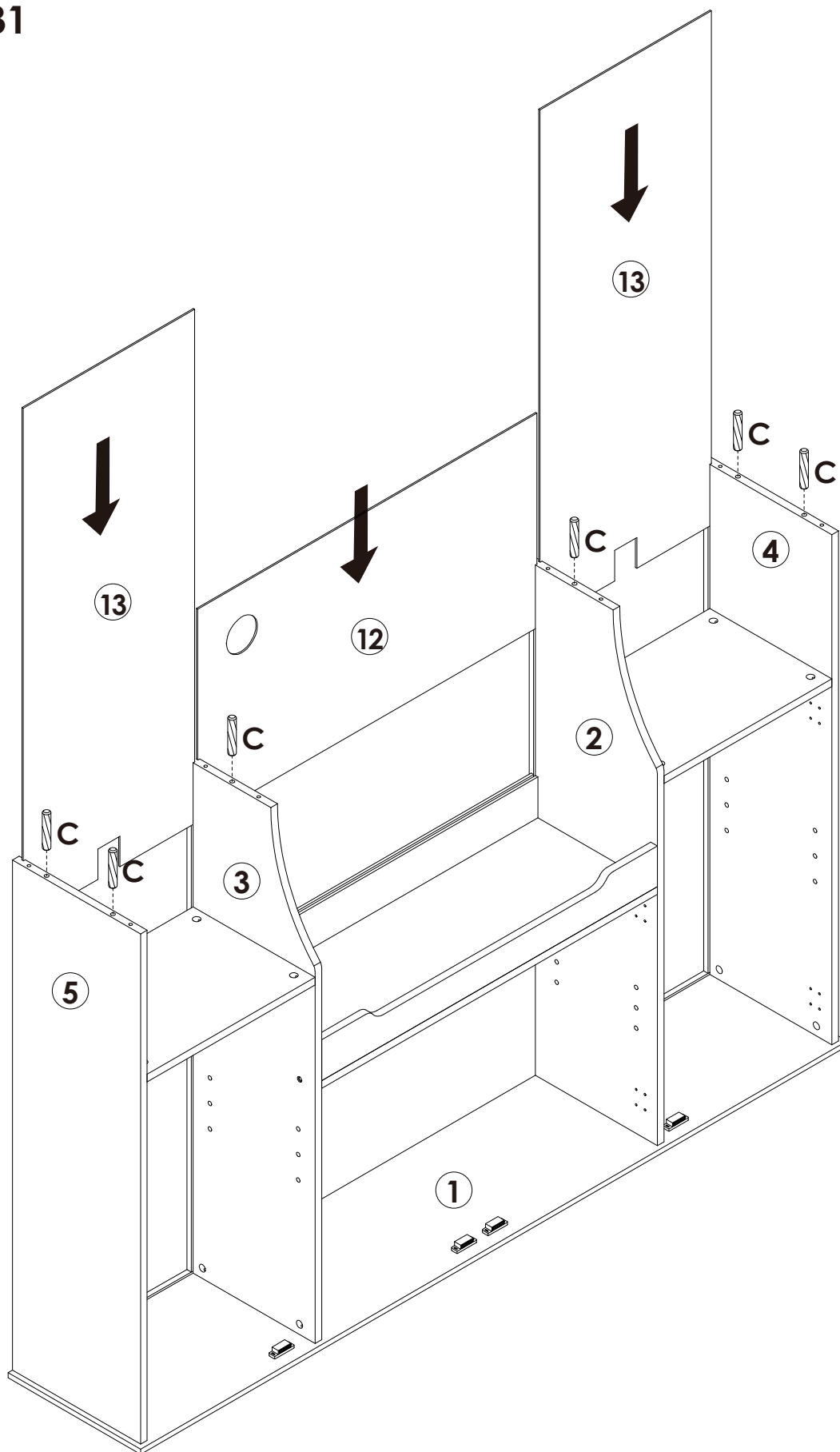


	B x 8PCS
	C x 8PCS
	W x 8PCS



Assembly Steps(EN) / Montageschritte(DE)

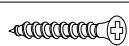
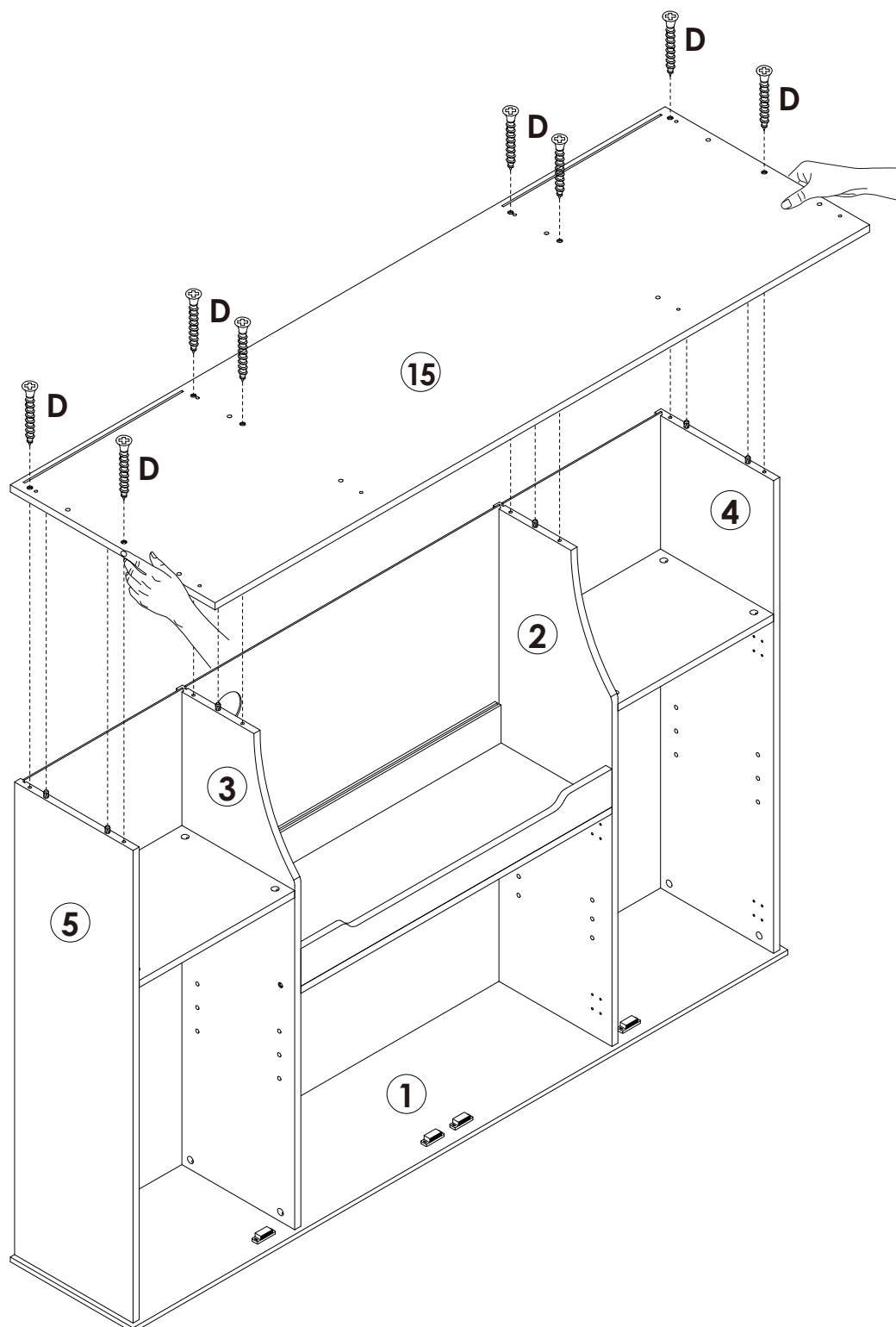
STEP 31



C x 6PCS

Assembly Steps(EN) / Montageschritte(DE)

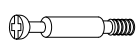
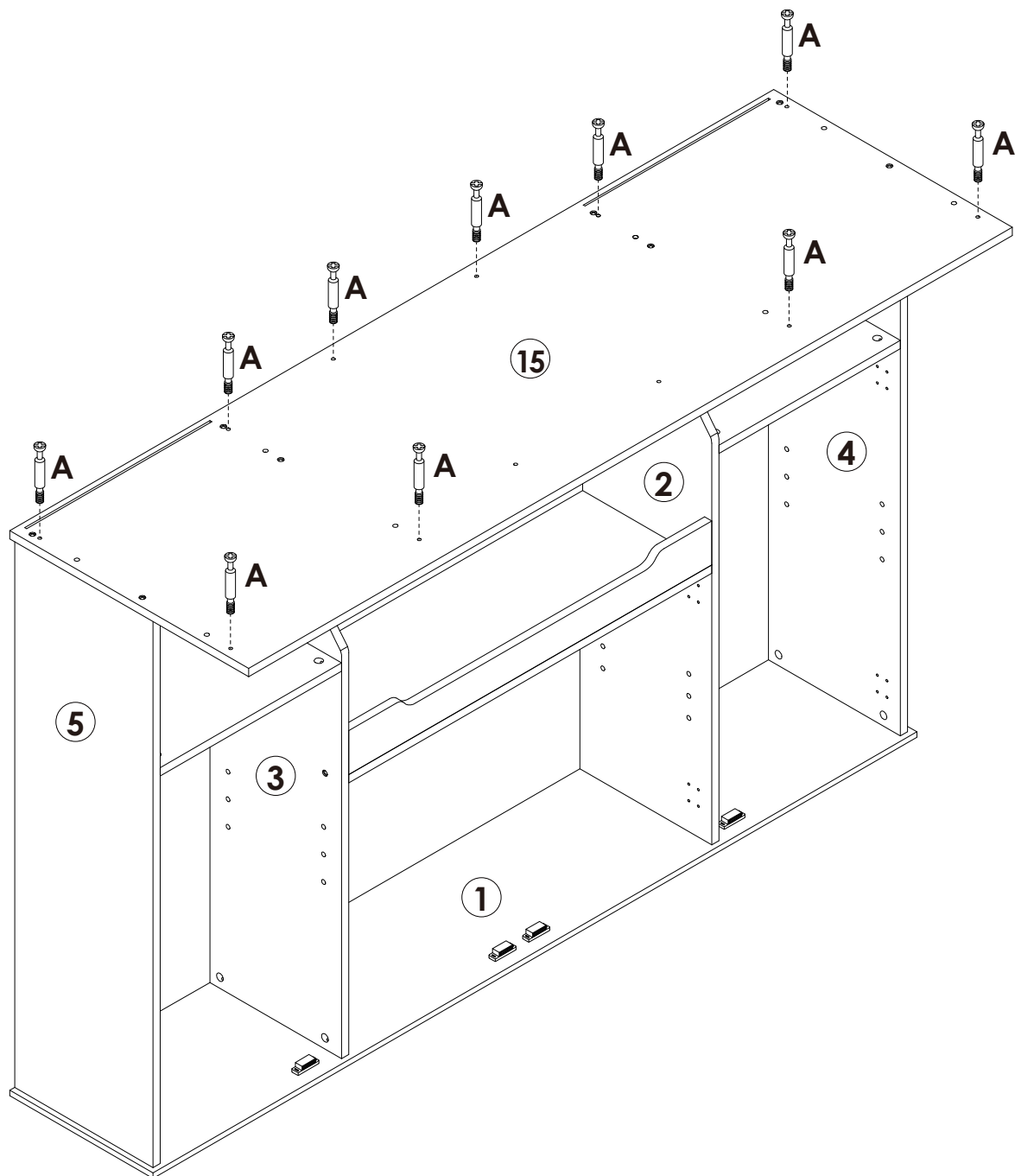
STEP 32



D x 8PCS

Assembly Steps(EN) / Montageschritte(DE)

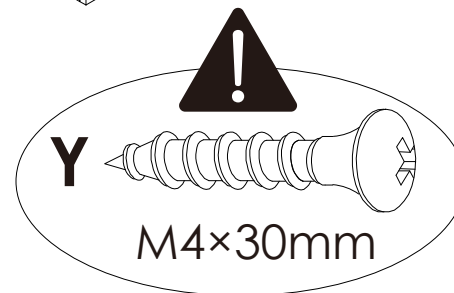
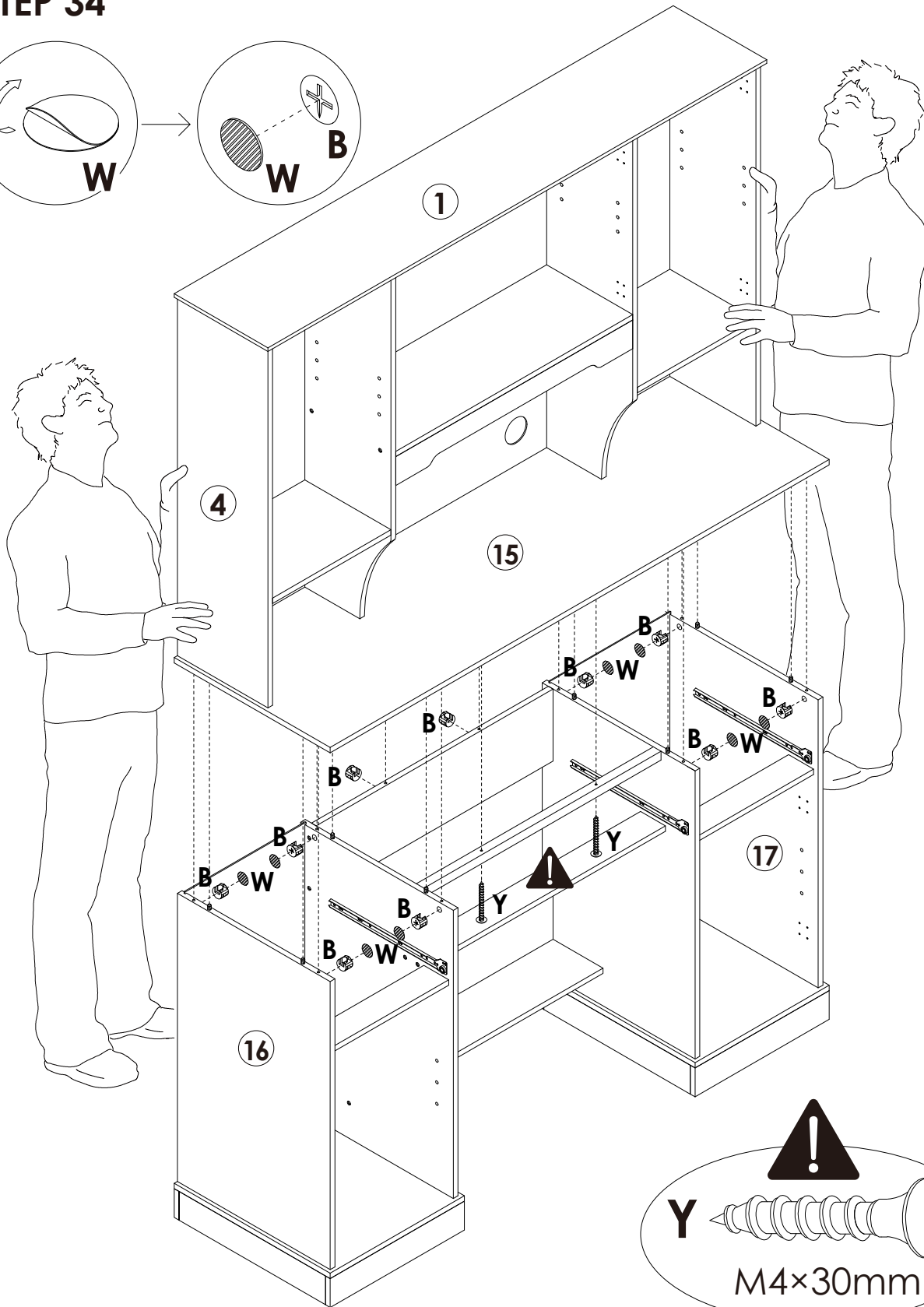
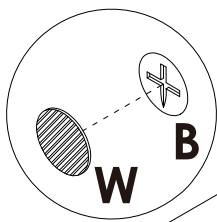
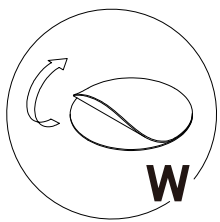
STEP 33



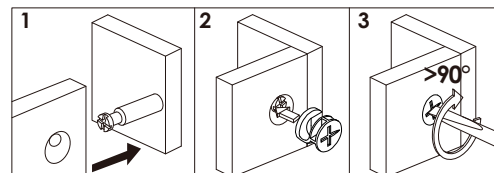
A x 10PCS

Assembly Steps(EN) / Montageschritte(DE)

STEP 34

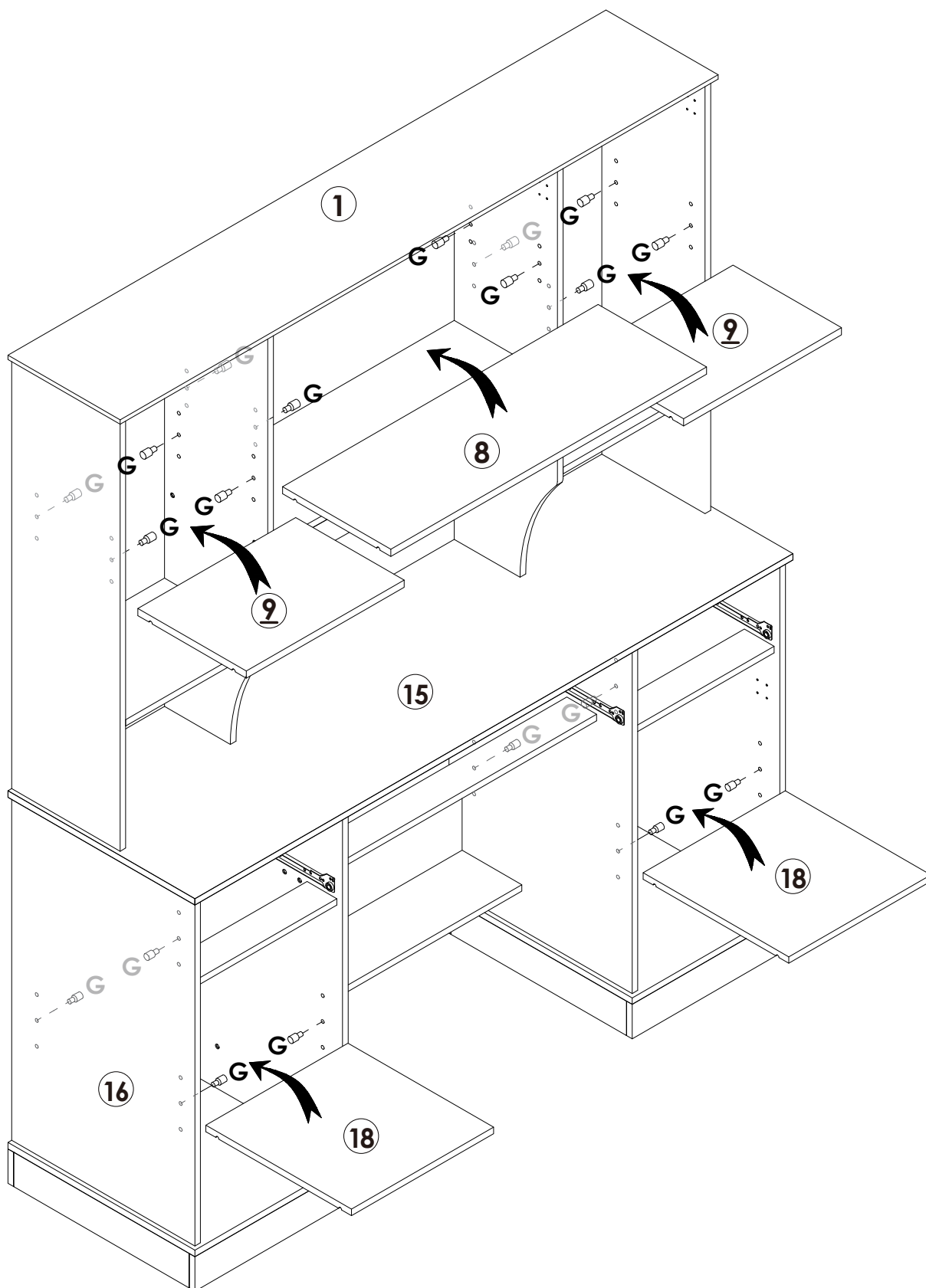


	B x 10PCS
	W x 8PCS
	Y x 2PCS



Assembly Steps(EN) / Montageschritte(DE)

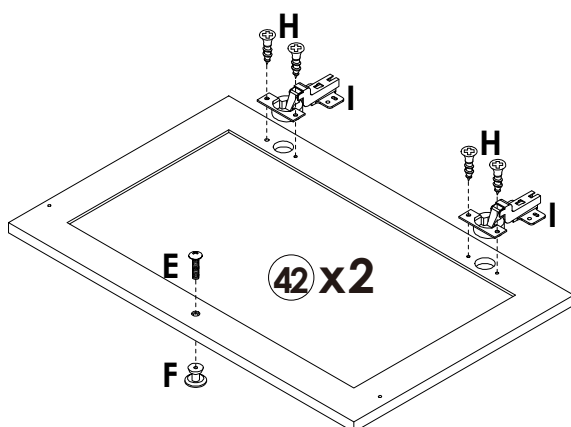
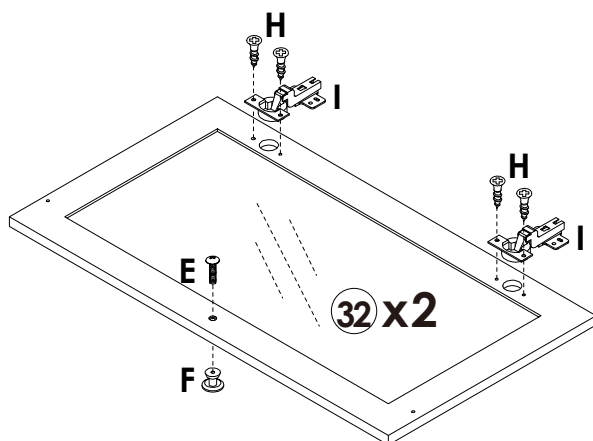
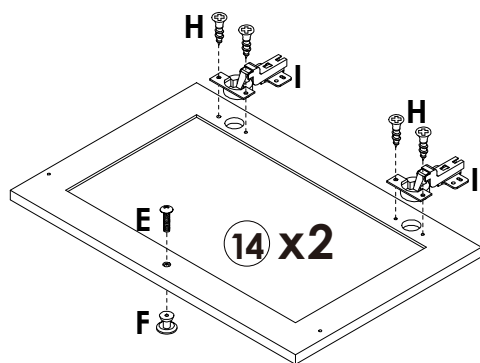
STEP 35







G x 20PCS

Assembly Steps(EN) / Montageschritte(DE)

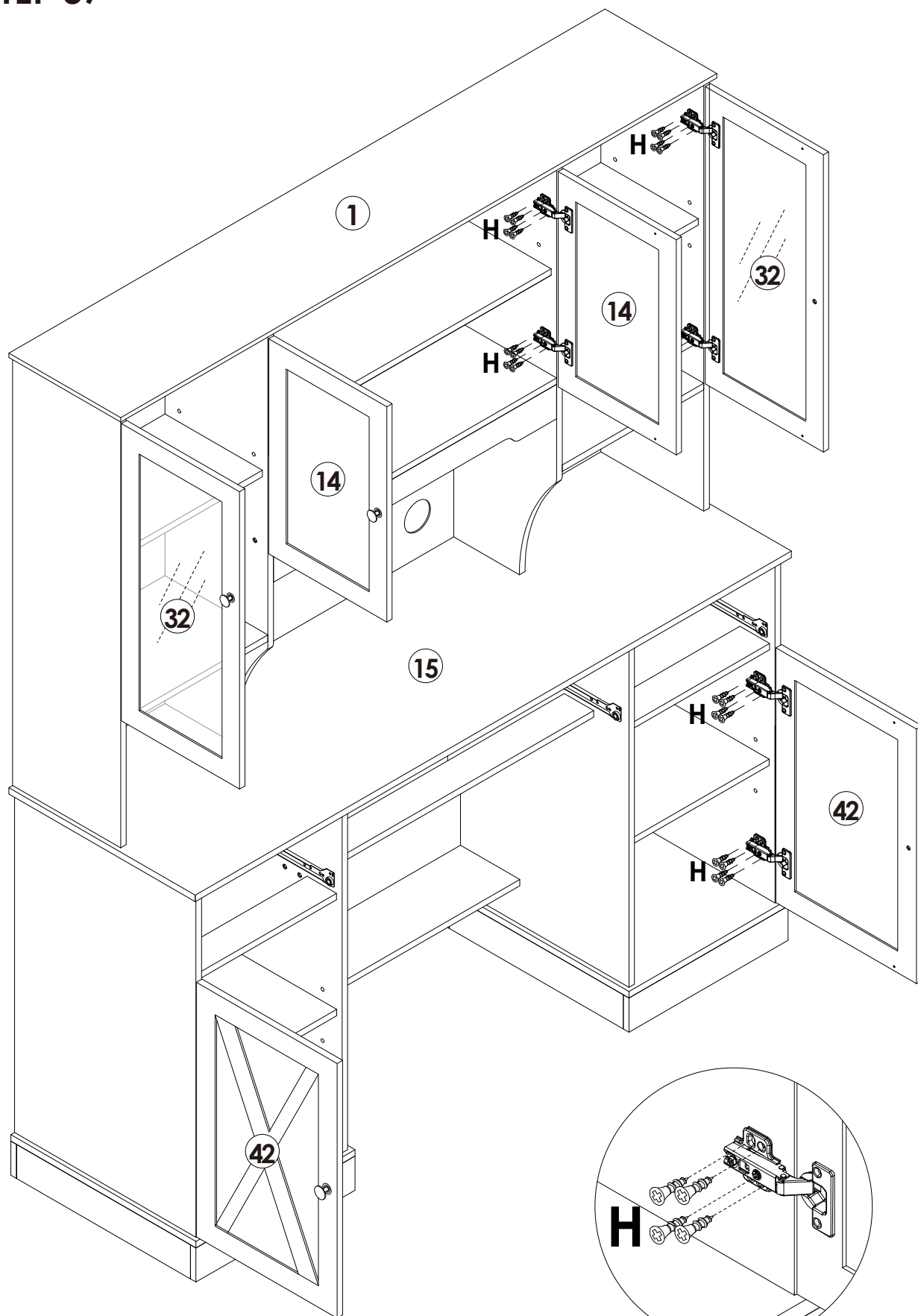
STEP 36



	E x 6PCS
	F x 6PCS
	H x 24PCS
	I x 12PCS

Assembly Steps(EN) / Montageschritte(DE)

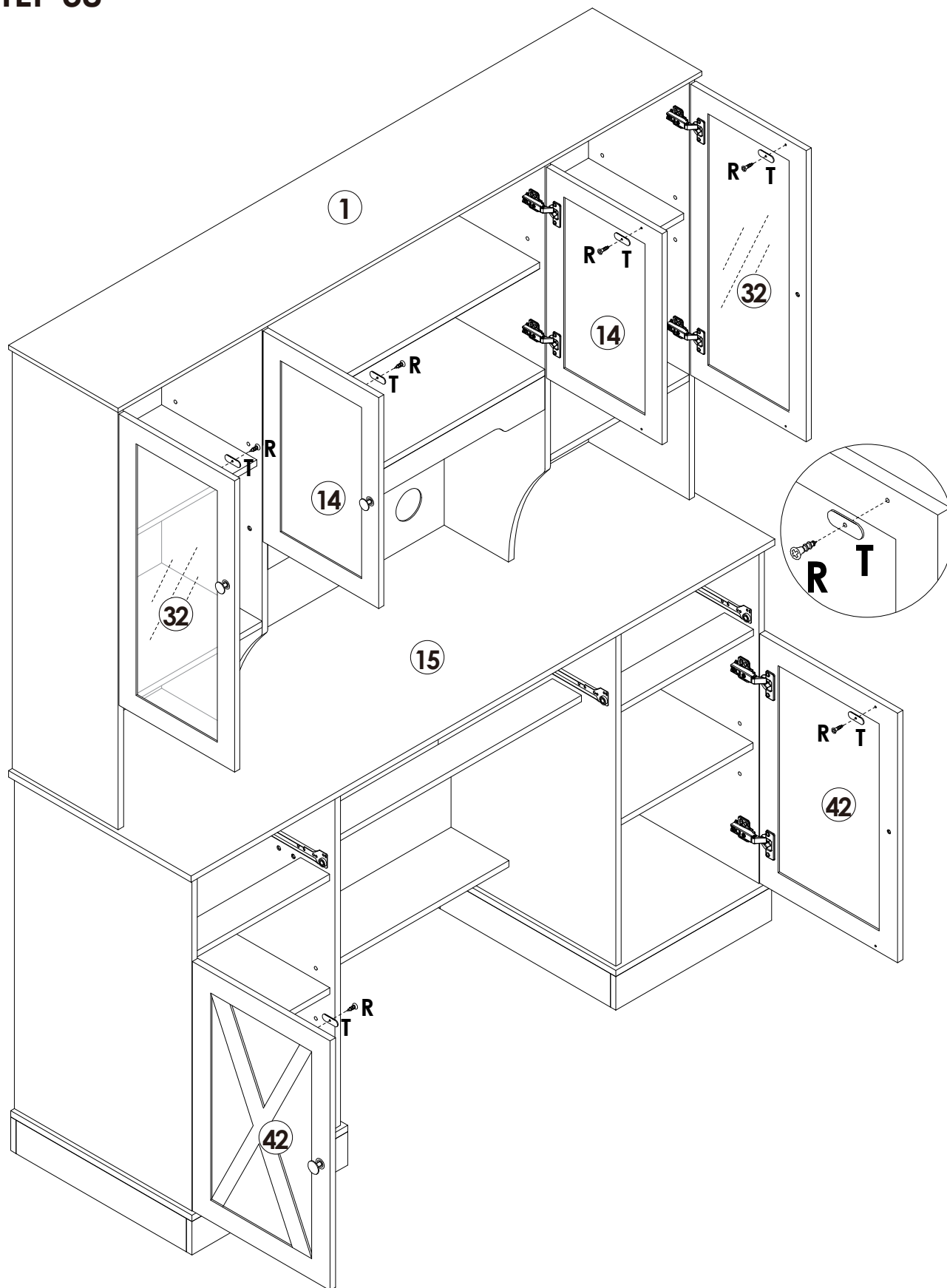
STEP 37





H x 48PCS

Assembly Steps(EN) / Montageschritte(DE)

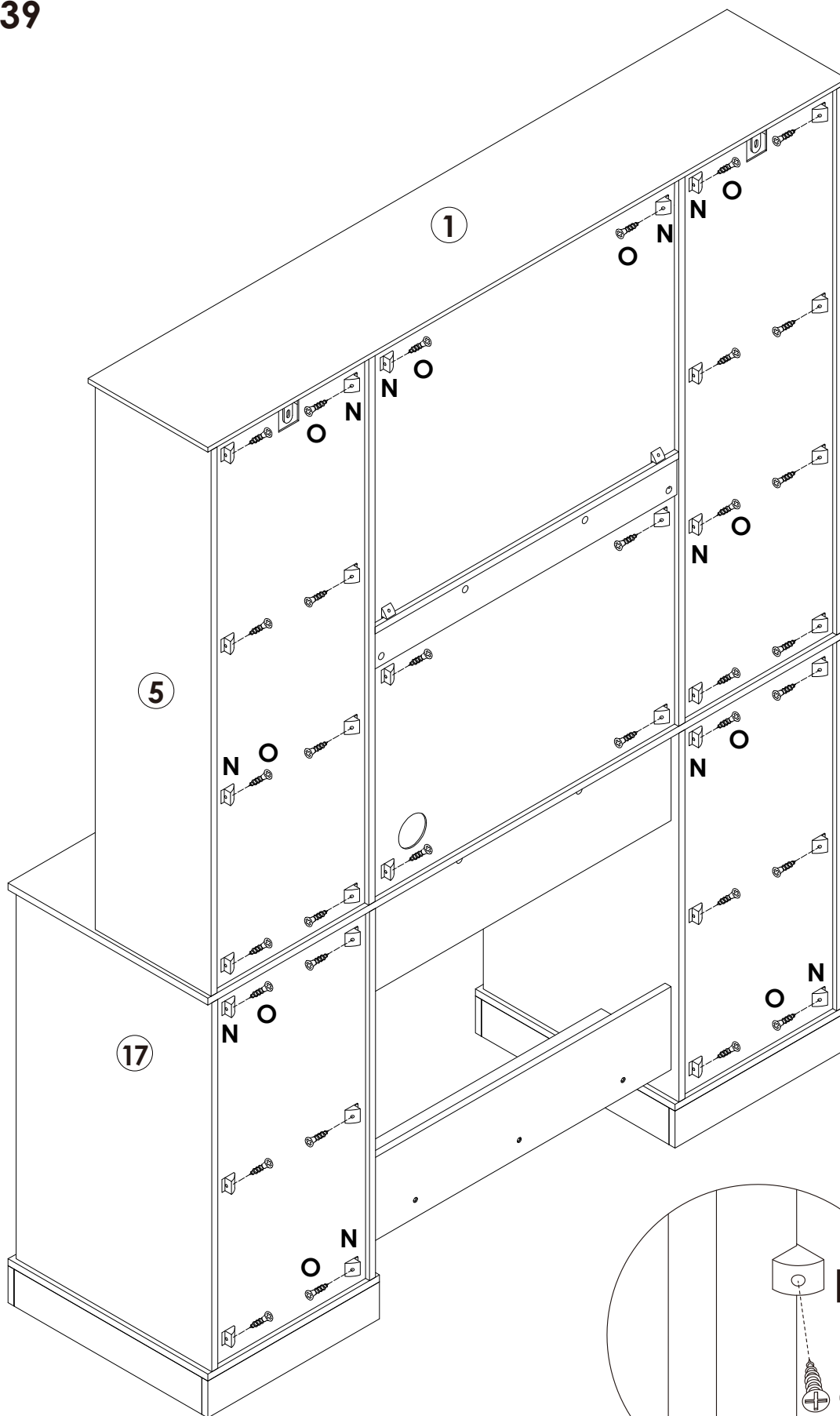
STEP 38



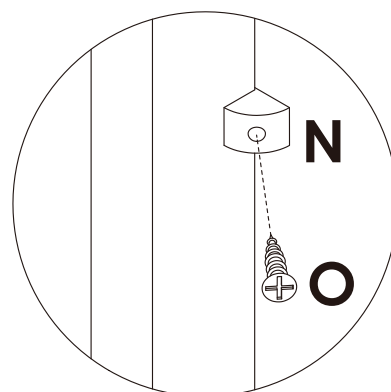
	R x 6PCS
	T x 6PCS

Assembly Steps(EN) / Montageschritte(DE)

STEP 39



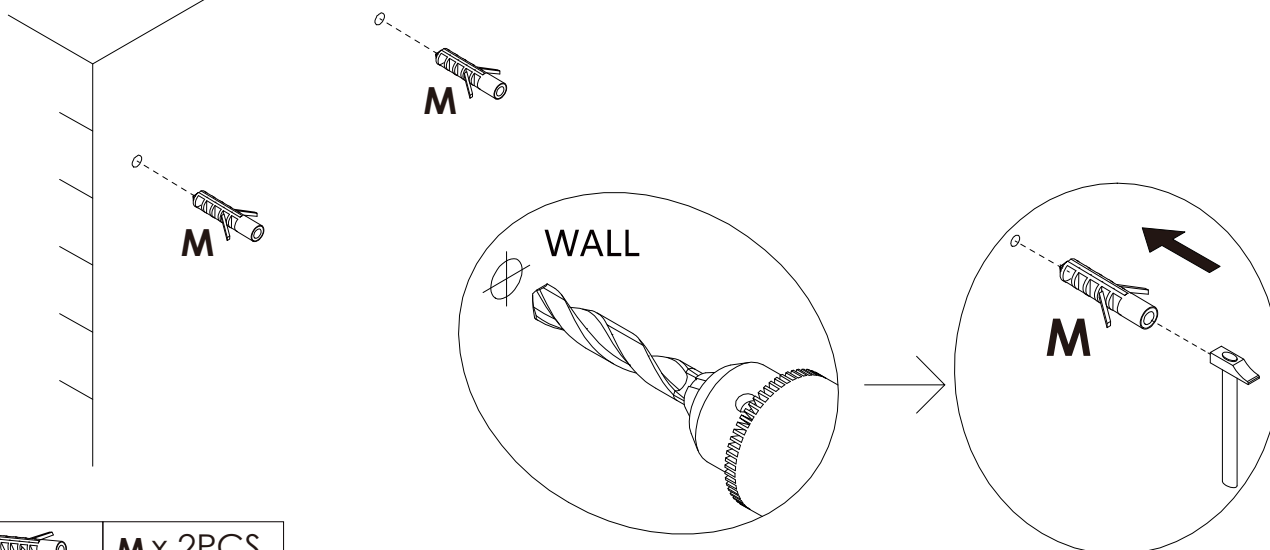
	N x 34PCS
	O x 34PCS



Assembly Steps(EN) / Montageschritte(DE)

STEP 40

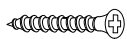
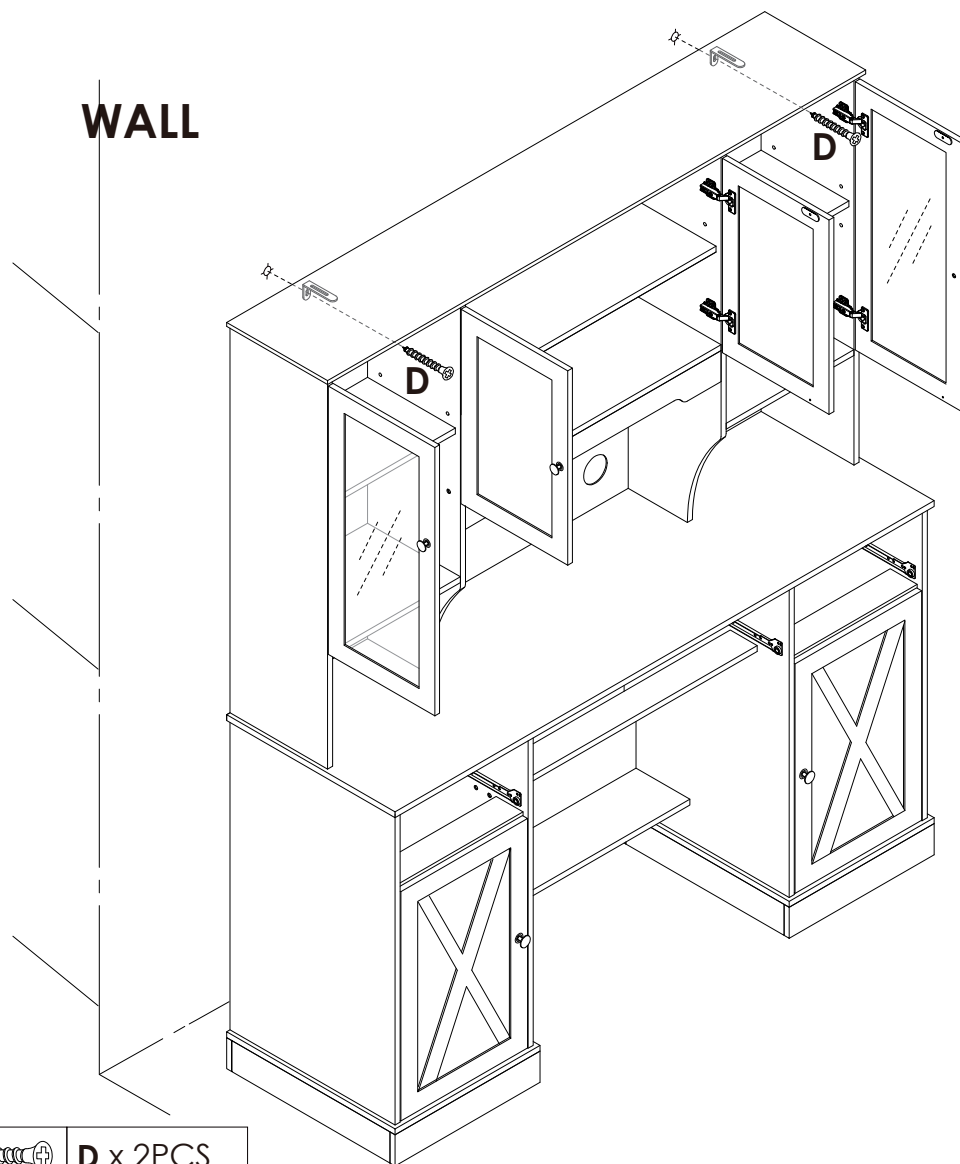
Drill 2 holes on the wall at the required position for anti-falling device installation.



M x 2PCS

STEP 41

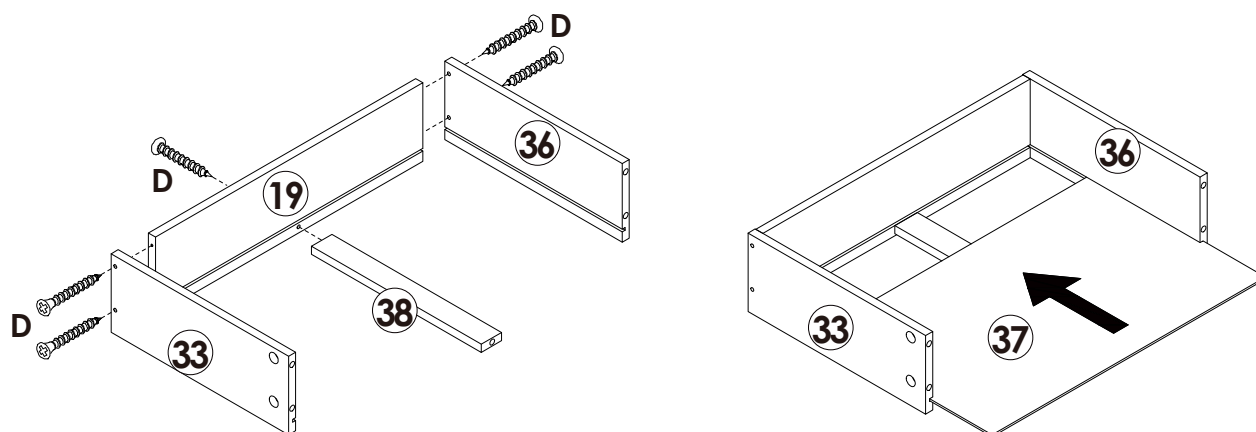
Move the cabinet to the required position, use the "D" long screw to fix the cabinet to the wall.



D x 2PCS

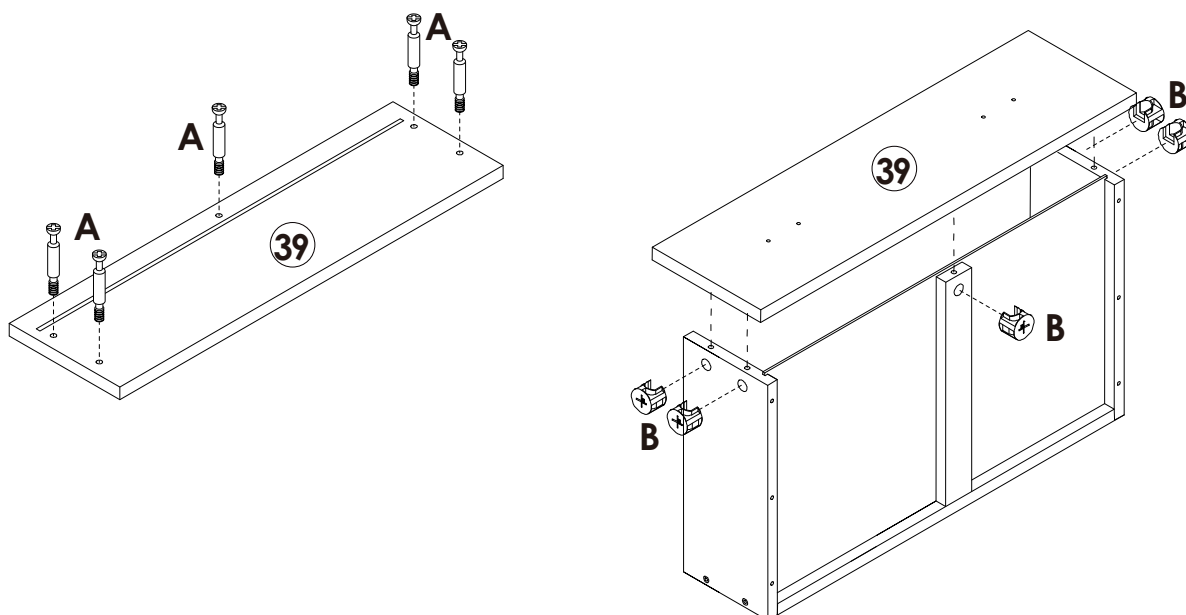
Assembly Steps(EN) / Montageschritte(DE)

STEP 42



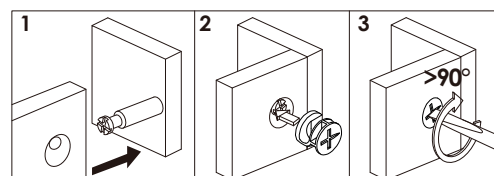
 **D x 5PCS**

STEP 43



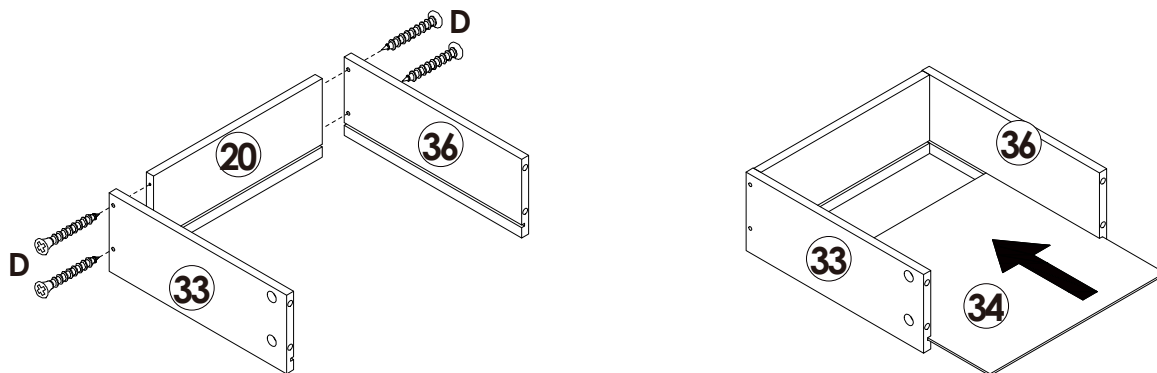
 **A x 5PCS**

 **B x 5PCS**



Assembly Steps(EN) / Montageschritte(DE)

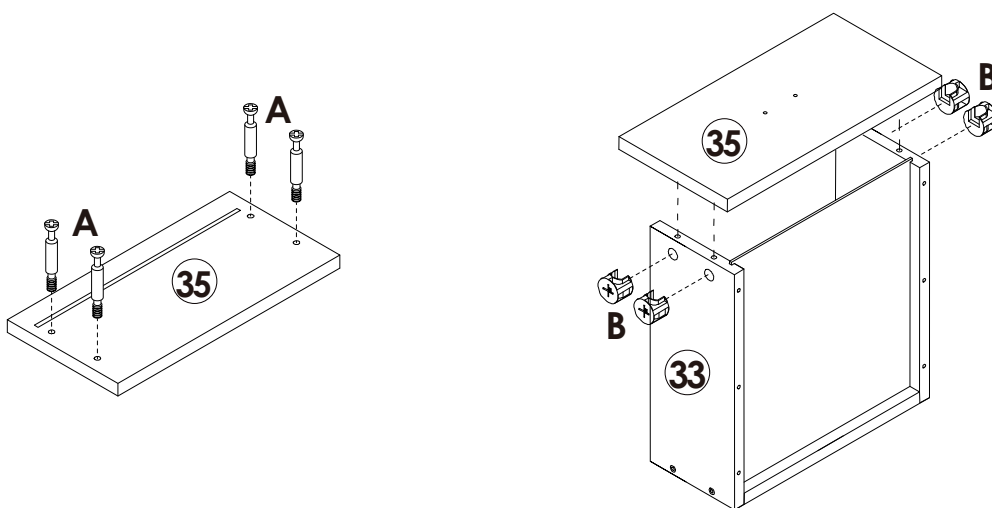
STEP 44



x2

 **D x 8PCS**

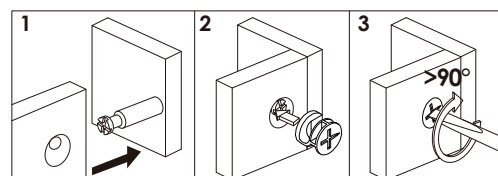
STEP 45



x2

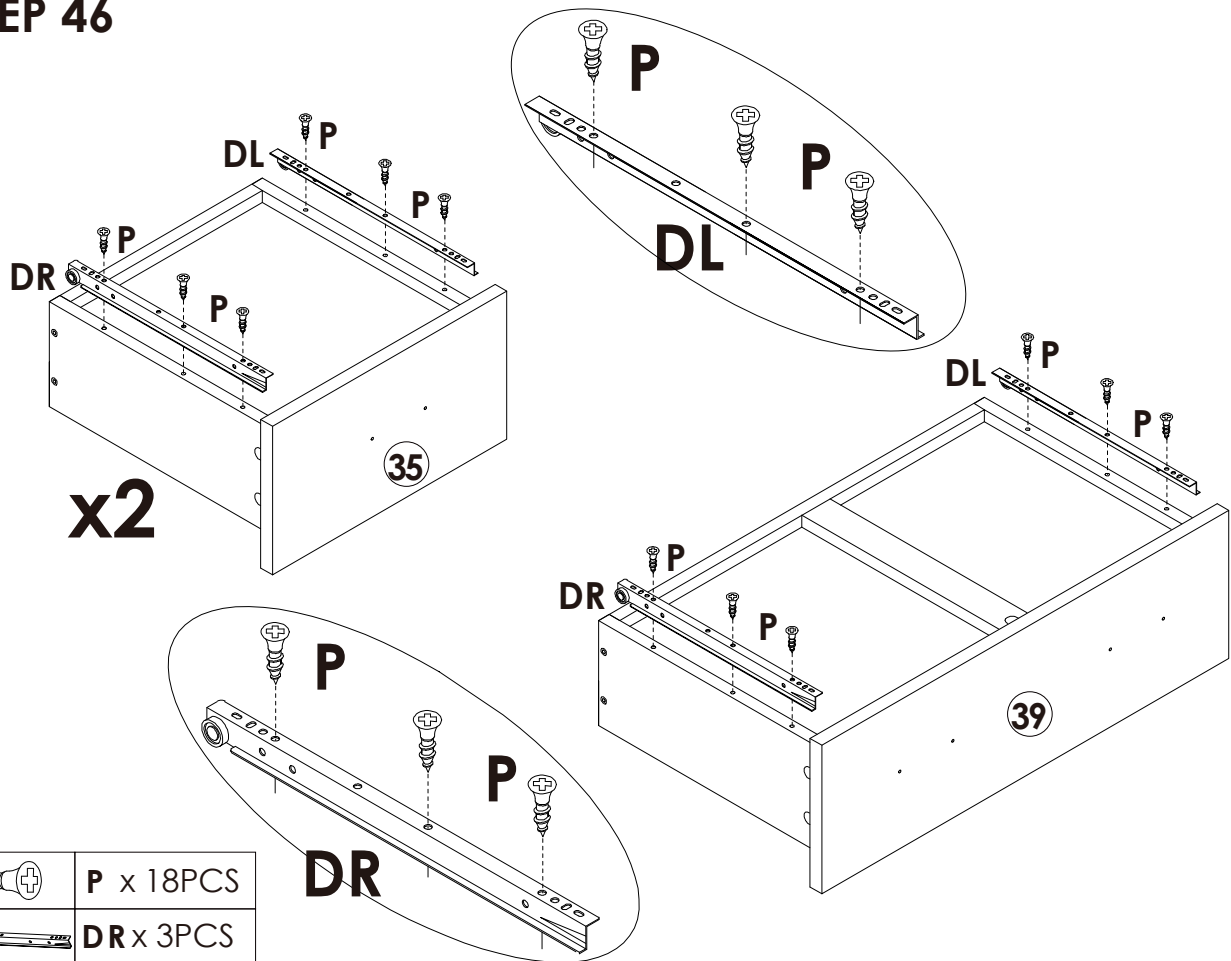
 **A x 8PCS**

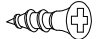


 **B x 8PCS**



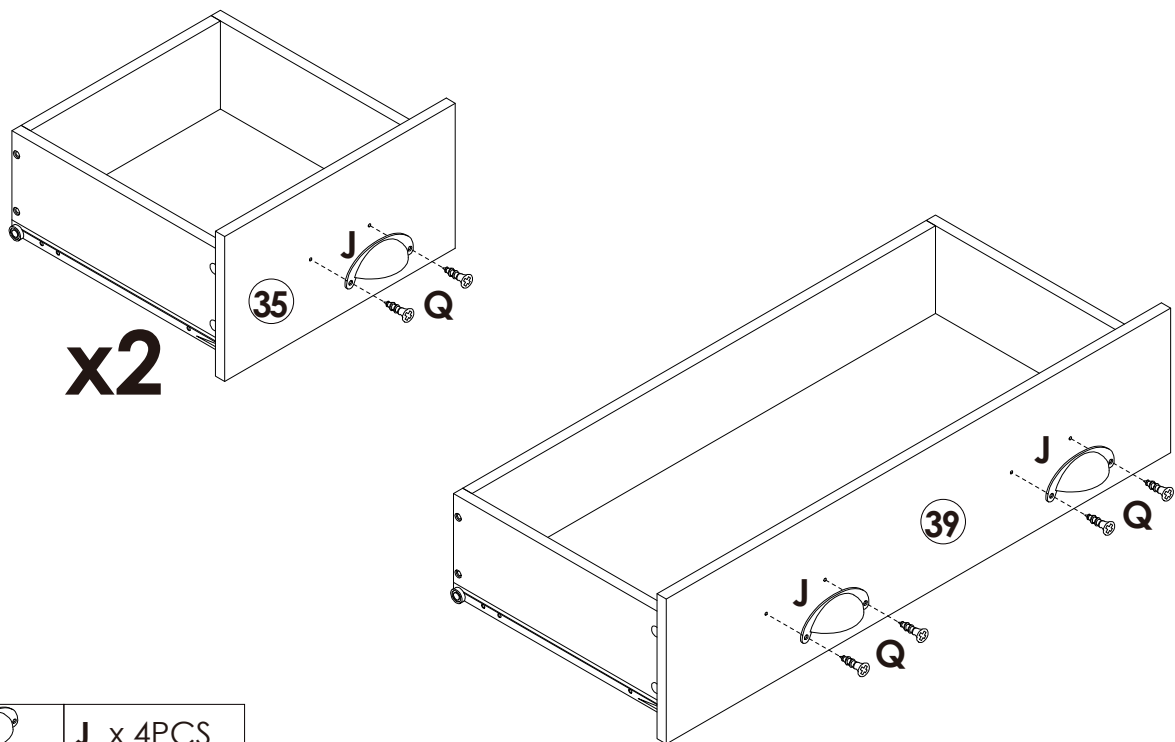
Assembly Steps(EN) / Montageschritte(DE)



STEP 46



	P x 18PCS
	DR x 3PCS
	DL x 3PCS

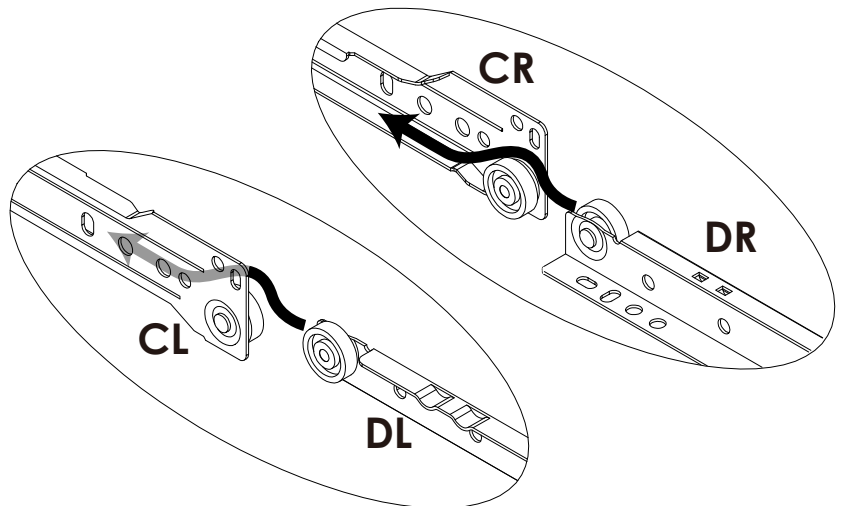
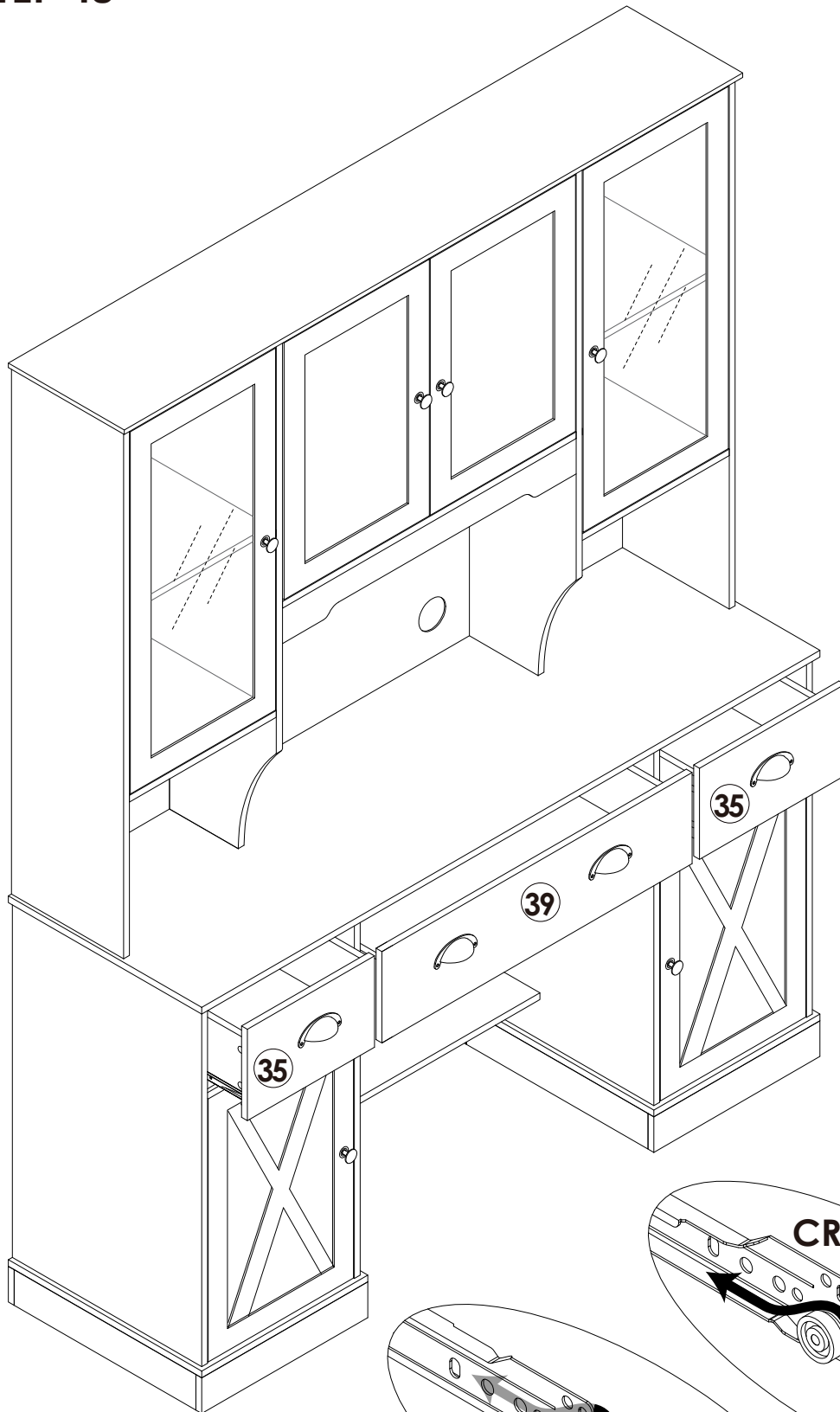
STEP 47



	J x 4PCS
	Q x 8PCS

Assembly Steps(EN) / Montageschritte(DE)

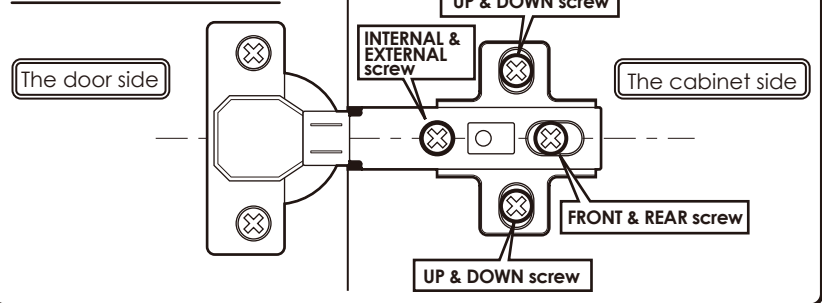
STEP 48



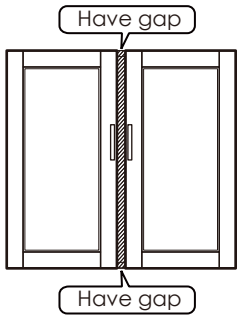
The ways to adjust the door

- Before adjusting the hinge, please check whether the cabinet is skewed.
- If the skew can not be repaired, please remove the anti-tipping device first, then adjust the cabinet to vertical position.
- Please adjust the hinge with the door open.
- Please operate it with more than 2 people, one person holds the door and the other one adjusts the screw.

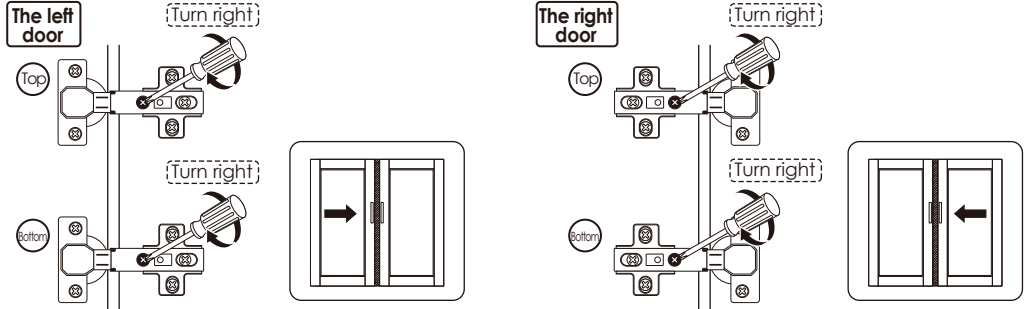
Components Name



Obvious gaps between doors or Doors don't look closed



1 Turn "internal & external screw" to the right can make the door approach inside. Please adjust the doors little by little.



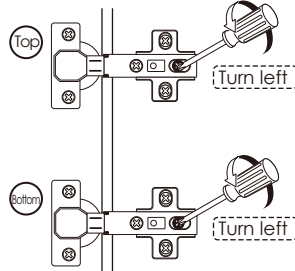
※ If the 2 doors are overlap, please turn the "internal & external screw" to the left.

When door is crooked



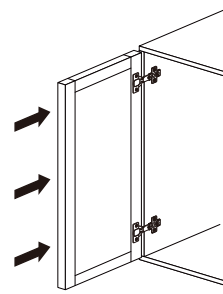
Please take the following steps to adjust first.

1 Rotate the "front and rear screws" to the left

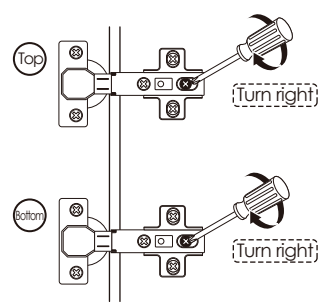


※ After adjusting the "front and rear screw", the door still does not change, please turn the "internal & external screw" to the right slightly.

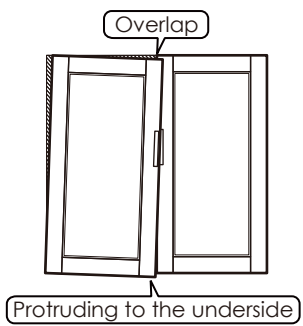
2 Push the door to the cabinet



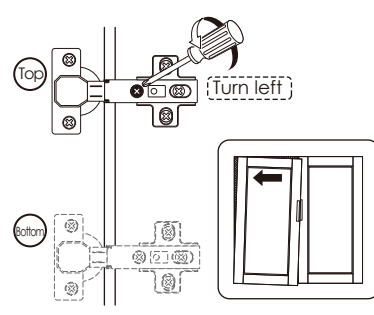
3 Rotate the "front and rear screws" to the right



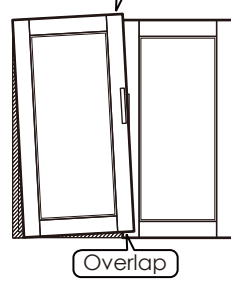
When door is leaning



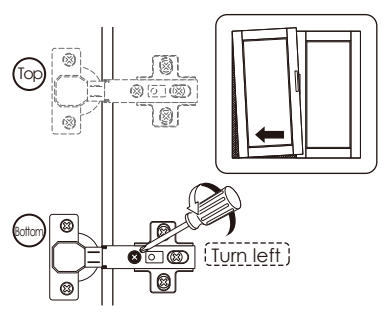
1 Turn "internal & external screw" to the left can make the top of the door tilted outward.



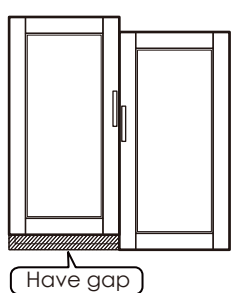
Protruding to the upside



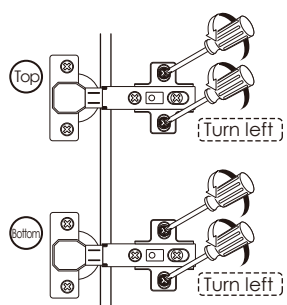
1 Turn "internal & external screw" to the left can make the bottom of the door tilted outward.



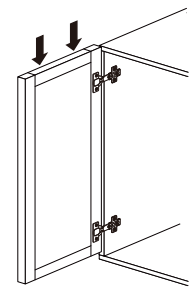
When the door is higher on top



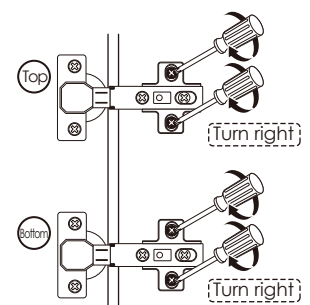
1 Turn "up & down screw" to the left



2 Lower the door's height so that 2 doors are of the same height.



3 Turn "up & down screw" to the right



※ If the door is lower on bottom, please lift up the left door slightly on step 2



WARNING



Children have died from furniture tipover. To reduce the risk of furniture tipover:

- **ALWAYS** install Anti-tip device provided.
- **NEVER** put a TV on this product.
- **NEVER** allow children to stand, climb or hang on any drawers, doors, or shelves.
- **NEVER** open more than one drawer at a time.
- Place heaviest items in the lowest drawers.



***This is a permanent label.
Do not remove!***