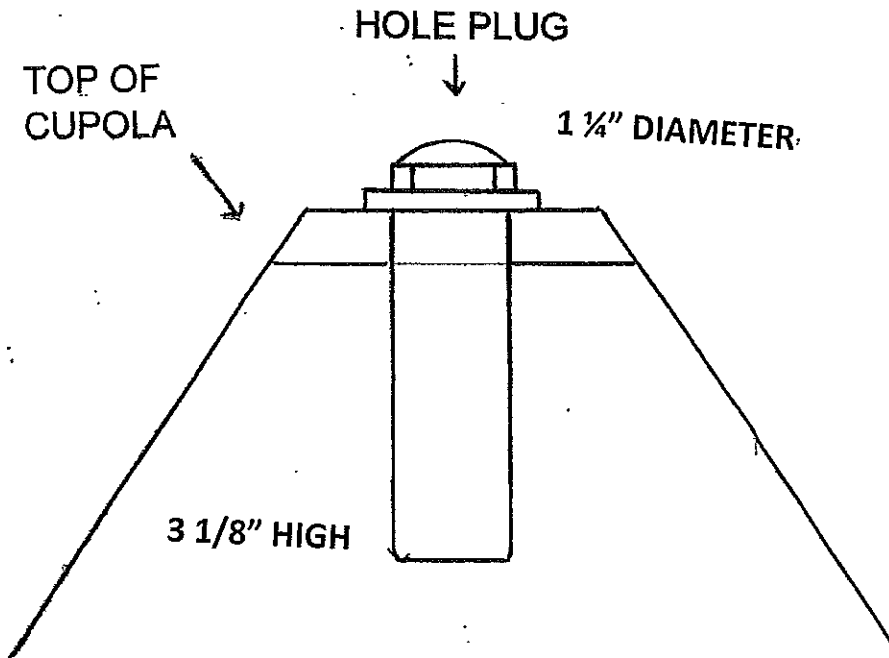


CUPOLA HOLE PLUG KIT



Your cupola comes with a 3/4" hole to accommodate a weathervane rod. To cap this hole first apply a small bead of silicone caulk around the outside of the hole, then insert the hole plug as shown.

****MADE OF BRASS****