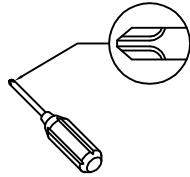
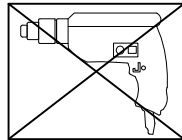


General Assembly Guidelines

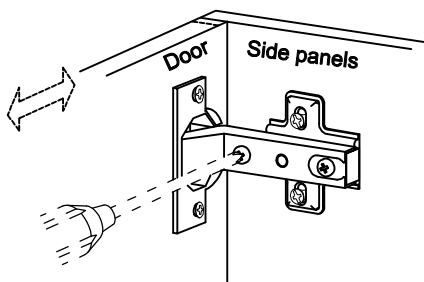
- I. Ensure that all parts and hardware are available before beginning assembly.
- II. Follow each step carefully to ensure the proper assembly of this product.
- III. Two people are recommended for ease in the assembly of this product.
- IV. The three main types of hardware used to assemble this product are : wood dowels , screws and bolts.
- V. A Phillips head screwdriver is required for the assembly of this product .



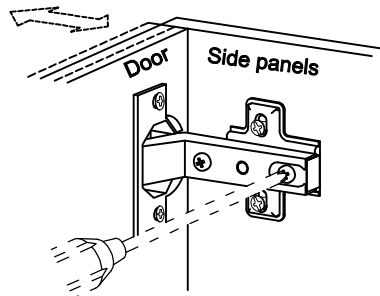
- VI. Power tools should not be used to assemble this product .



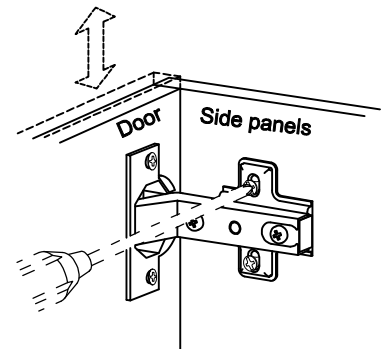
- VII. Concealed hinges are three-way adjustable.



Horizontal
by screw adjustment

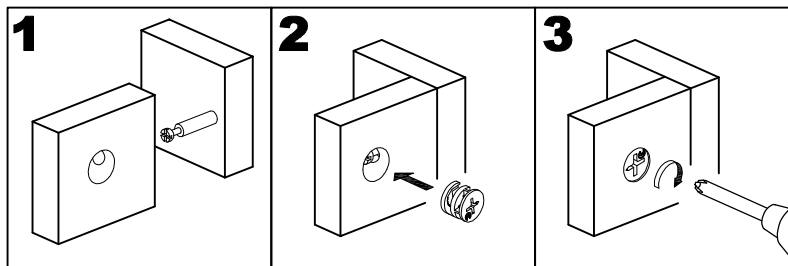


In-and-Out
by loosening the hinge-arm
mounting screw or via cam
adjustment



Vertical
Via slots in the mounting
plate or via cam
adjustment

- VIII. Insert cam lock into panel tighter with a screwdriver;



 **WARNING**

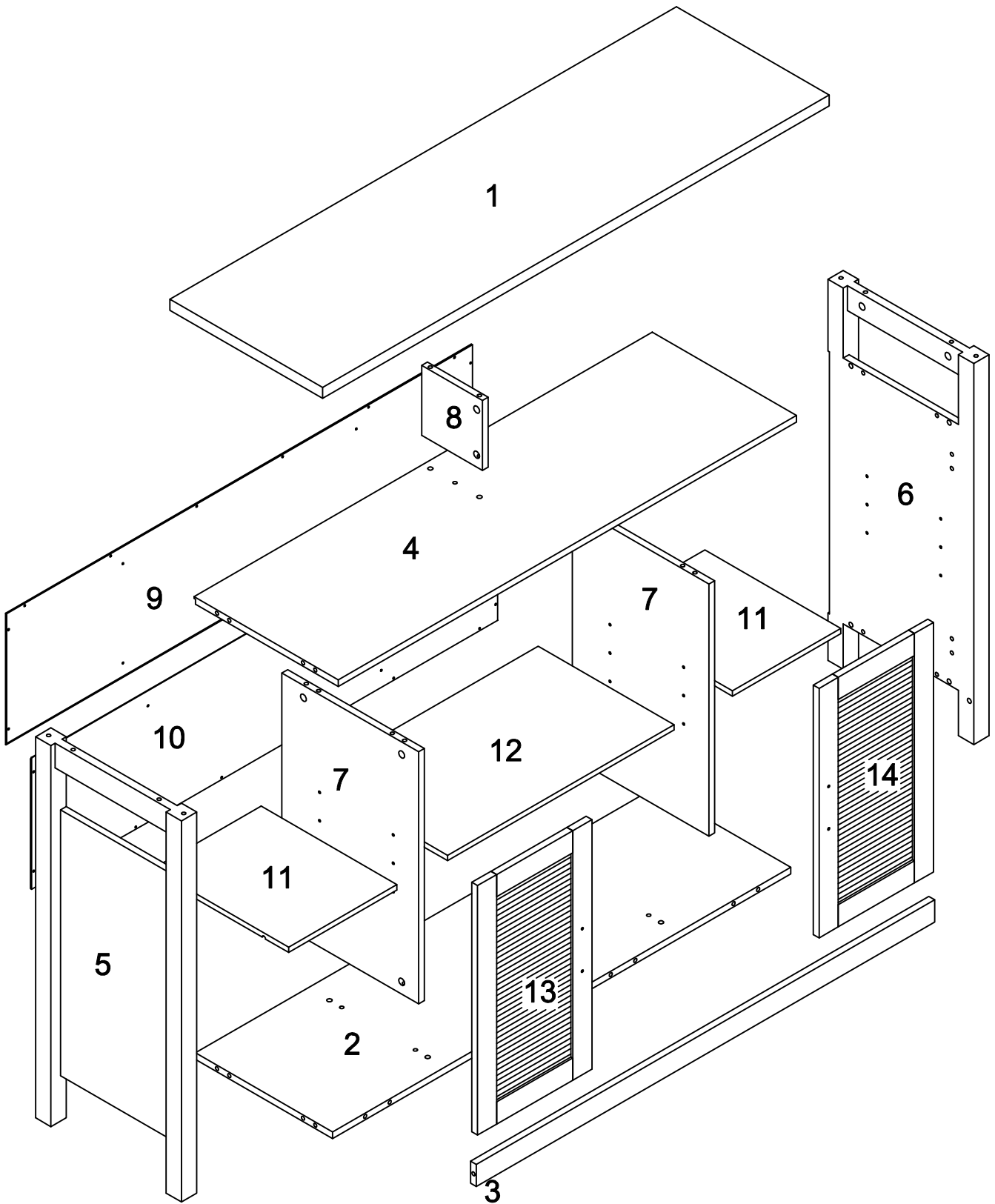
Serious or fatal injuries can occur from furniture tip-over.

To help prevent furniture tip-over:


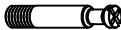


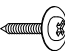



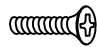





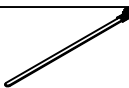
- 1/ It is recommended to use mounting hardware to secure furniture to the wall. This may reduce but not eliminate the risk of furniture tip-over.**
- 2/ Do not allow children to climb on furniture.**
- 3/ Keep remote controls, toys and other items that might attract children off from this product.**
- 4/ Do not allow children to step on furniture.**
- 5/ Unless specifically designed to accommodate , do not set televisions or other heavy objects on top of this product.**

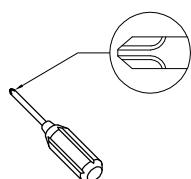
Caution:Do not allow door stay open when moving furniture.

Parts List



Hardware List

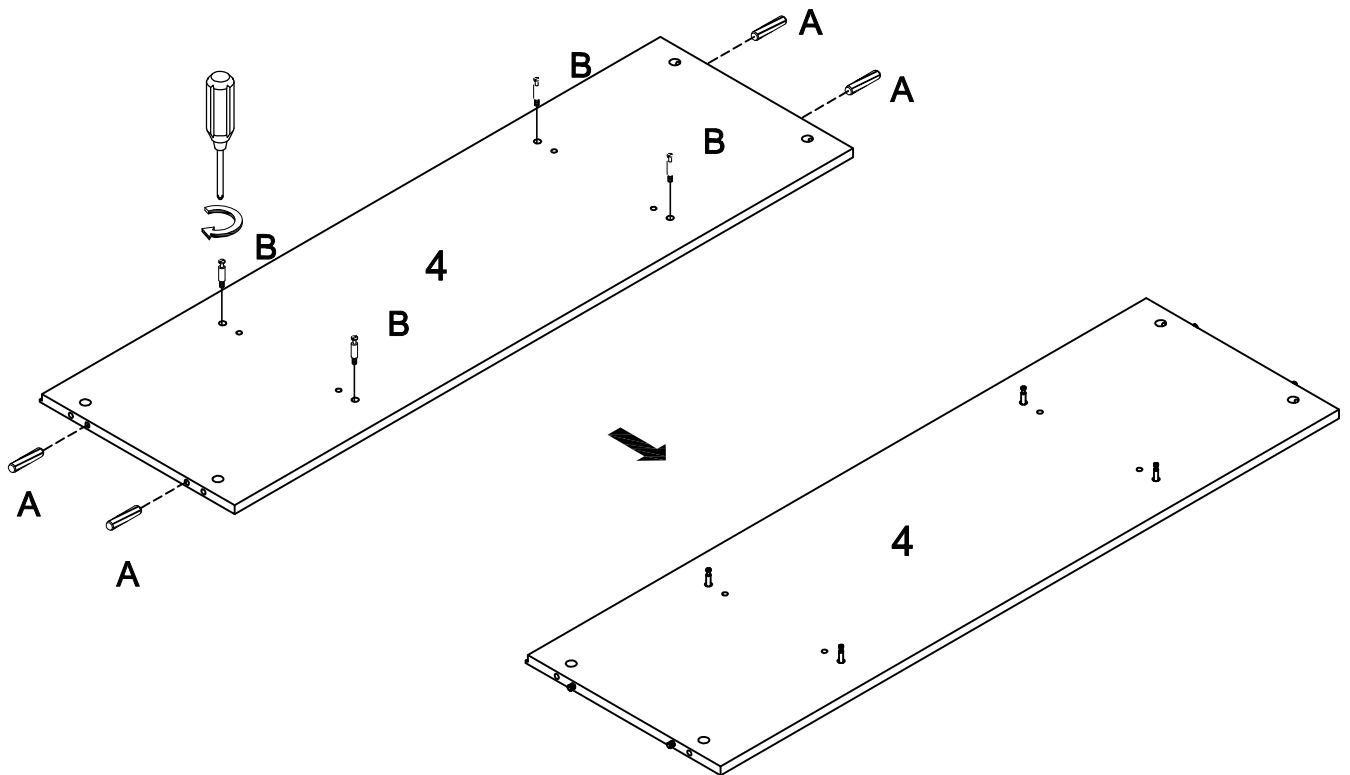
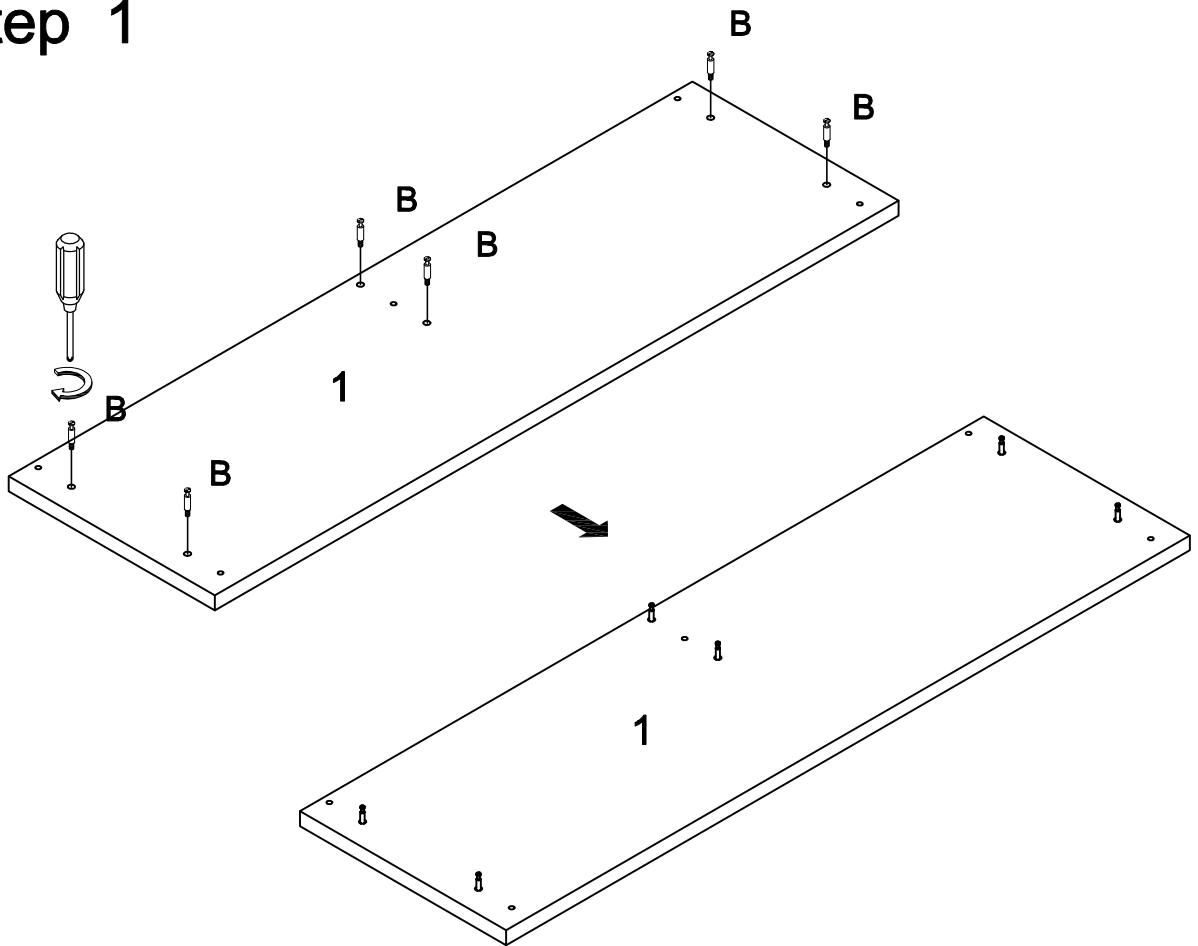
A		M8*30(mm)	Wooden dowel	26 pcs	
B		M6*32(mm)	Cam bolt	29 pcs	
C		Ø15*9.5mm	Cam lock	29 pcs	
D		Ø30	Sticker	5 pcs	
E		M3*12(mm)	Screw	28 pcs	
F			Handle	2 pcs	
G		Ø4x18mm	Handle Screw	4 pcs	
H			Hinge	4 pcs	
I		Ø4x12	Screw	16 pcs	
J		Ø8x5x16	Shelf support pin	12 pcs	
K	K1		Ø3*16mm	Cam lock	2 pcs
	K2		Ø4*30mm	Cam lock	2 pcs
	K3			Cam lock	2 pcs
	K4			Cam lock	2 pcs
	K5			Cam lock	1 pcs



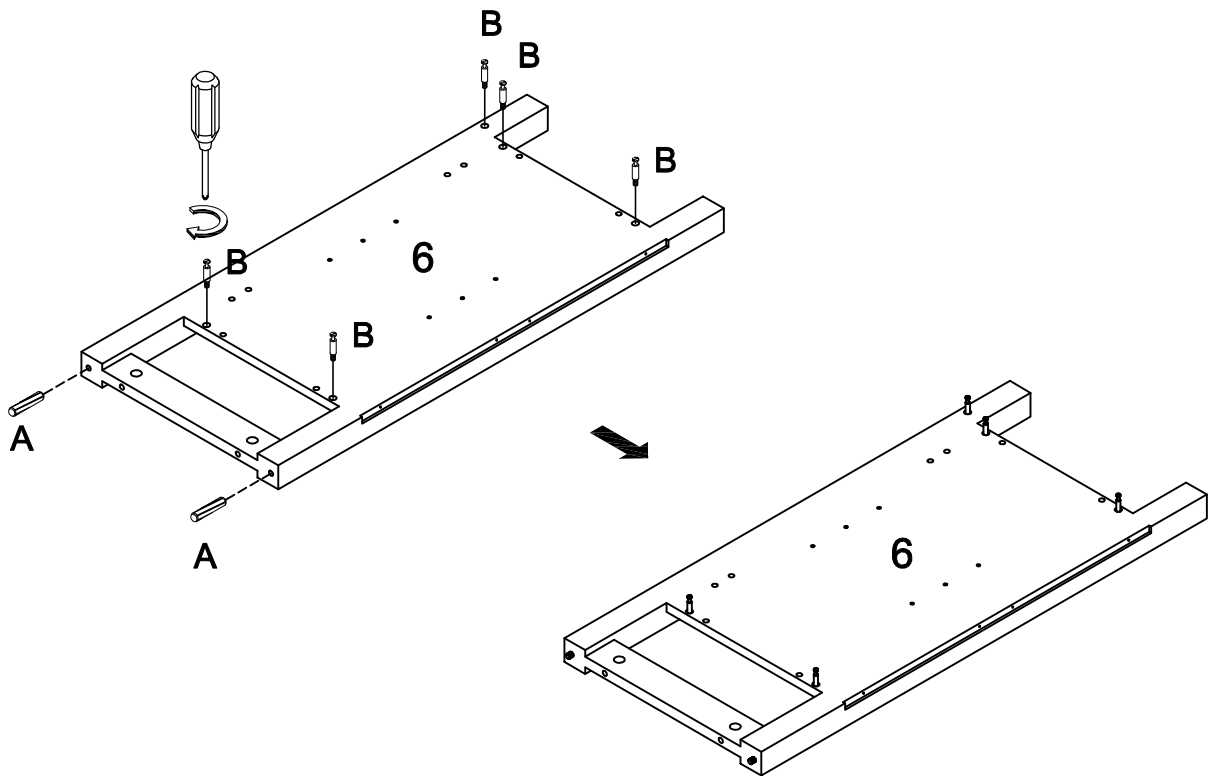
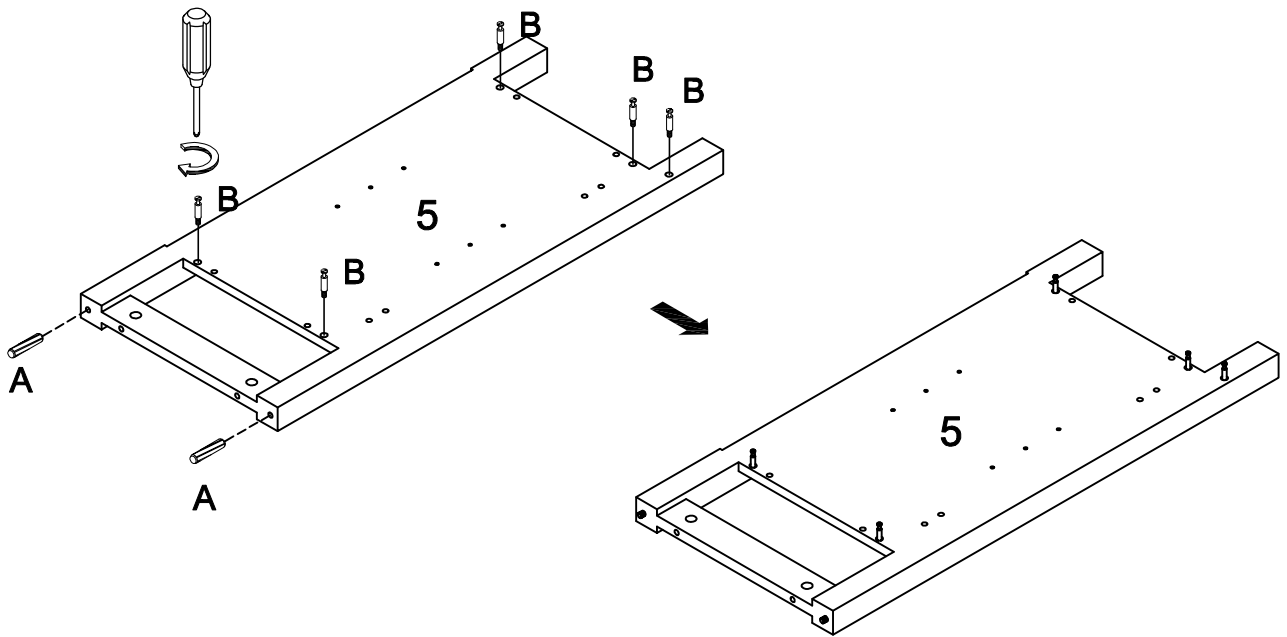
**Philips head screwdriver required for assembly
(not included)**

*The hardware quantities listed above are required for proper assembly.
Some extra hardware may also have been included.*

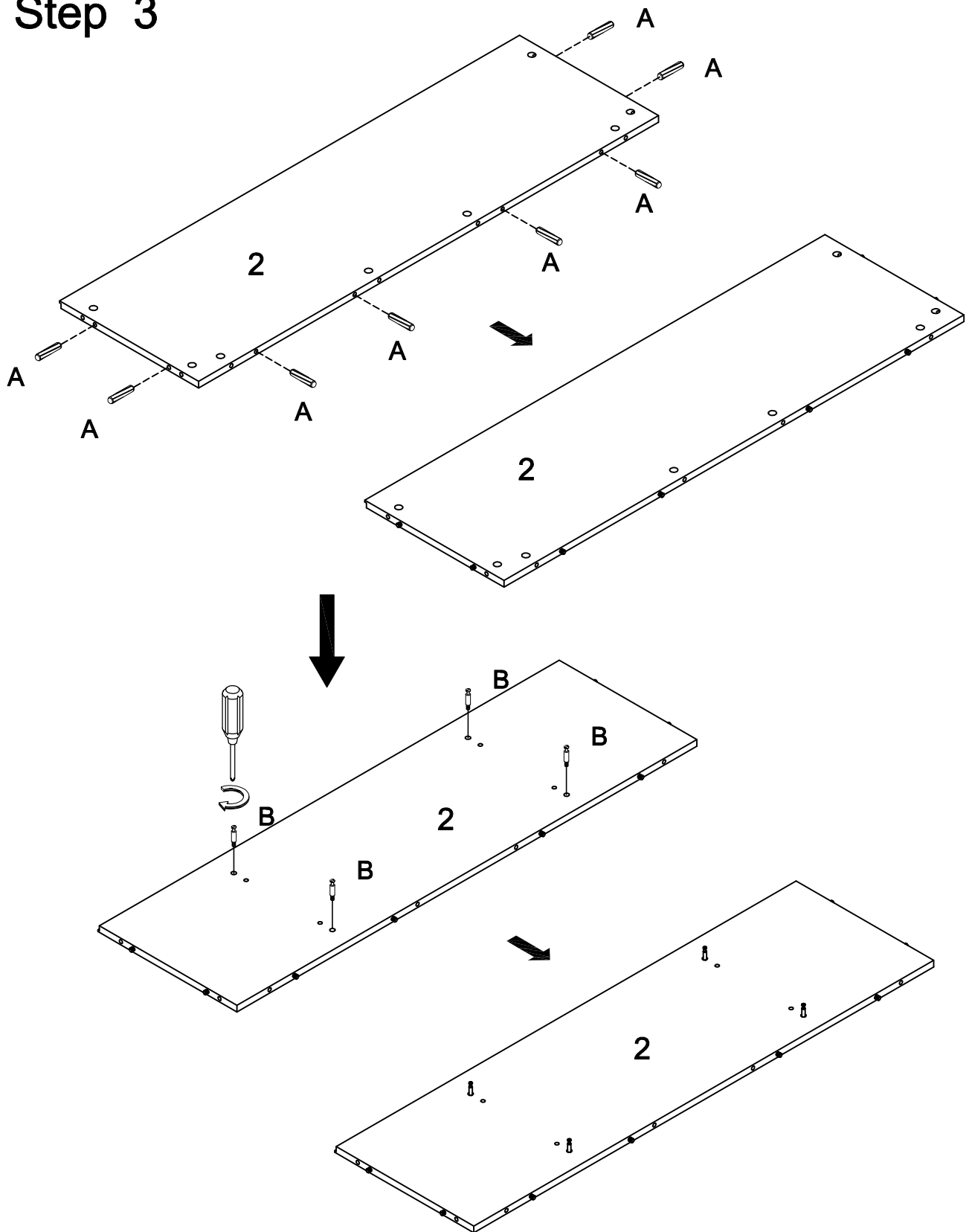
Step 1



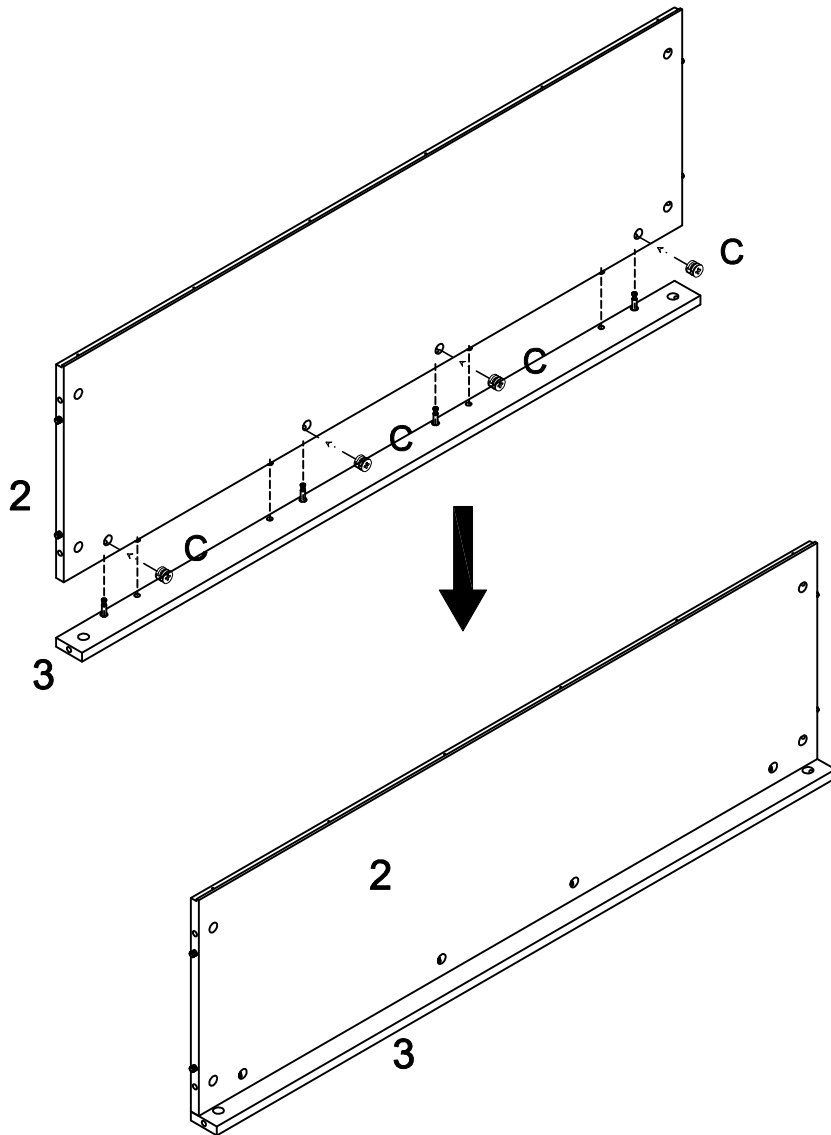
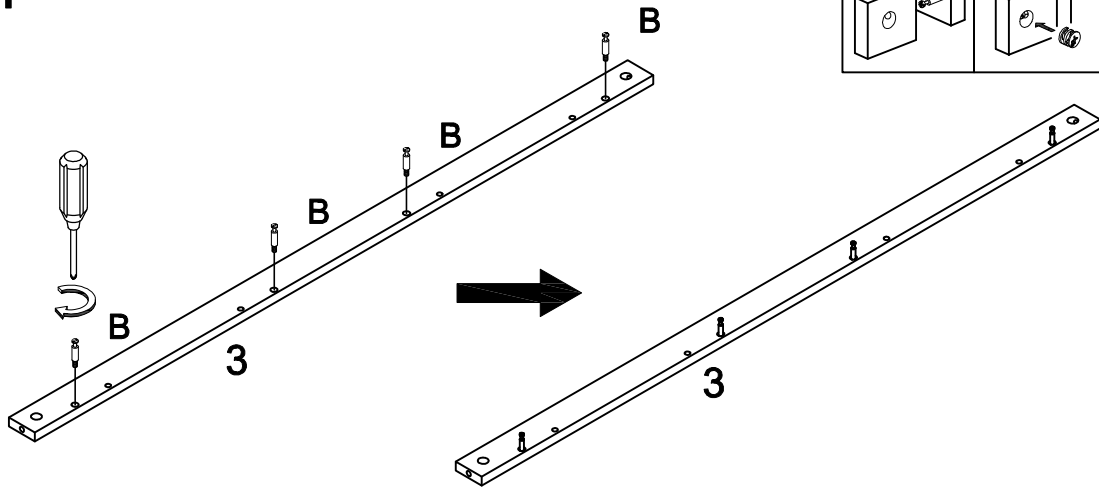
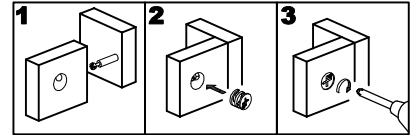
Step 2



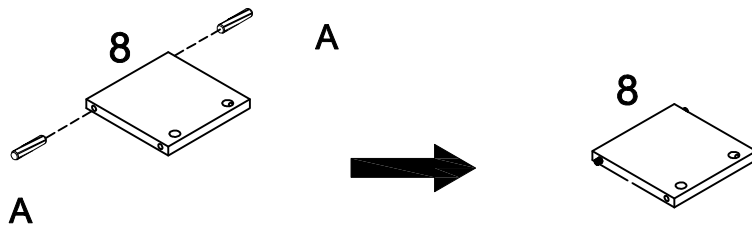
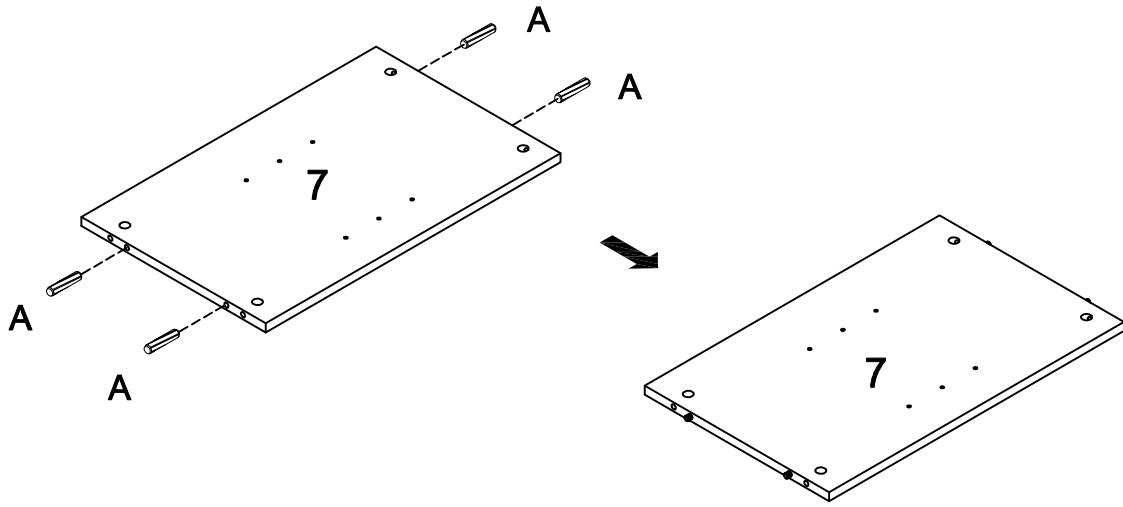
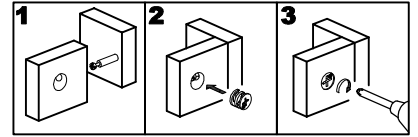
Step 3



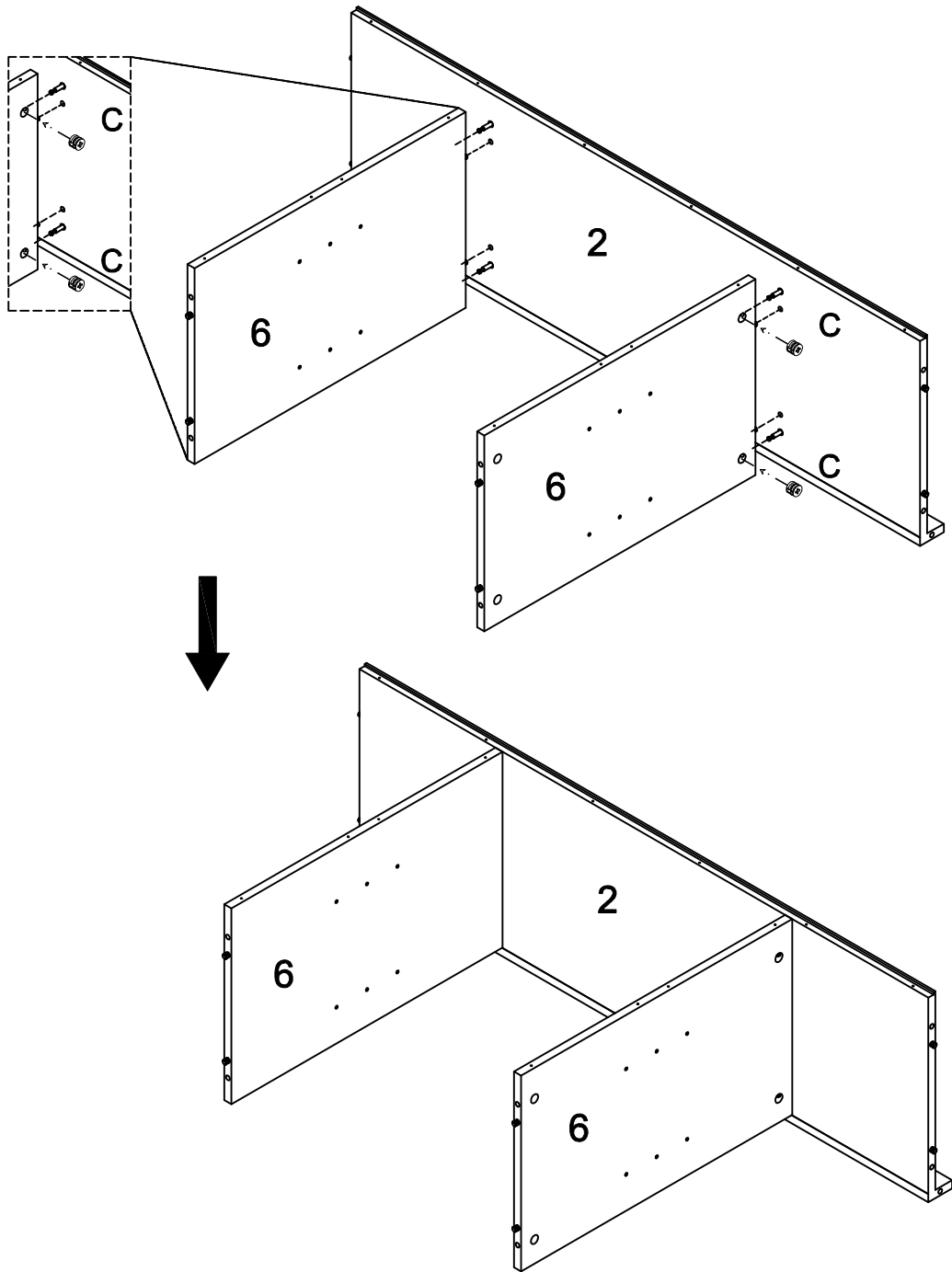
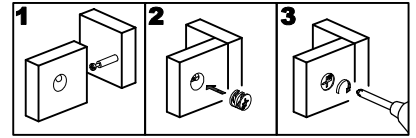
Step 4



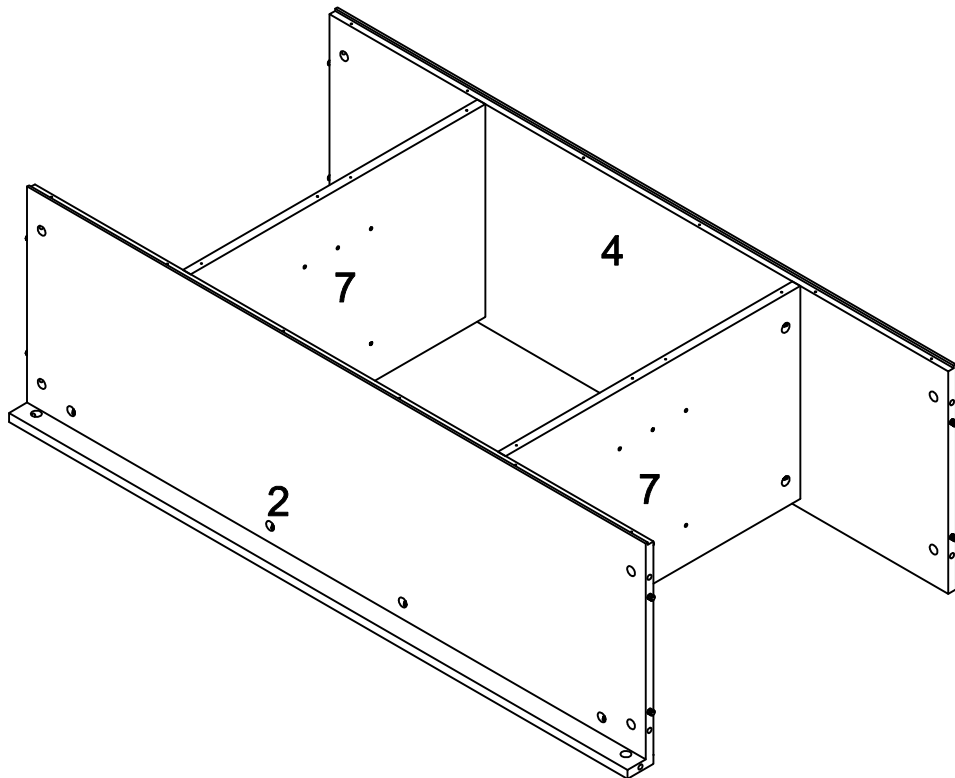
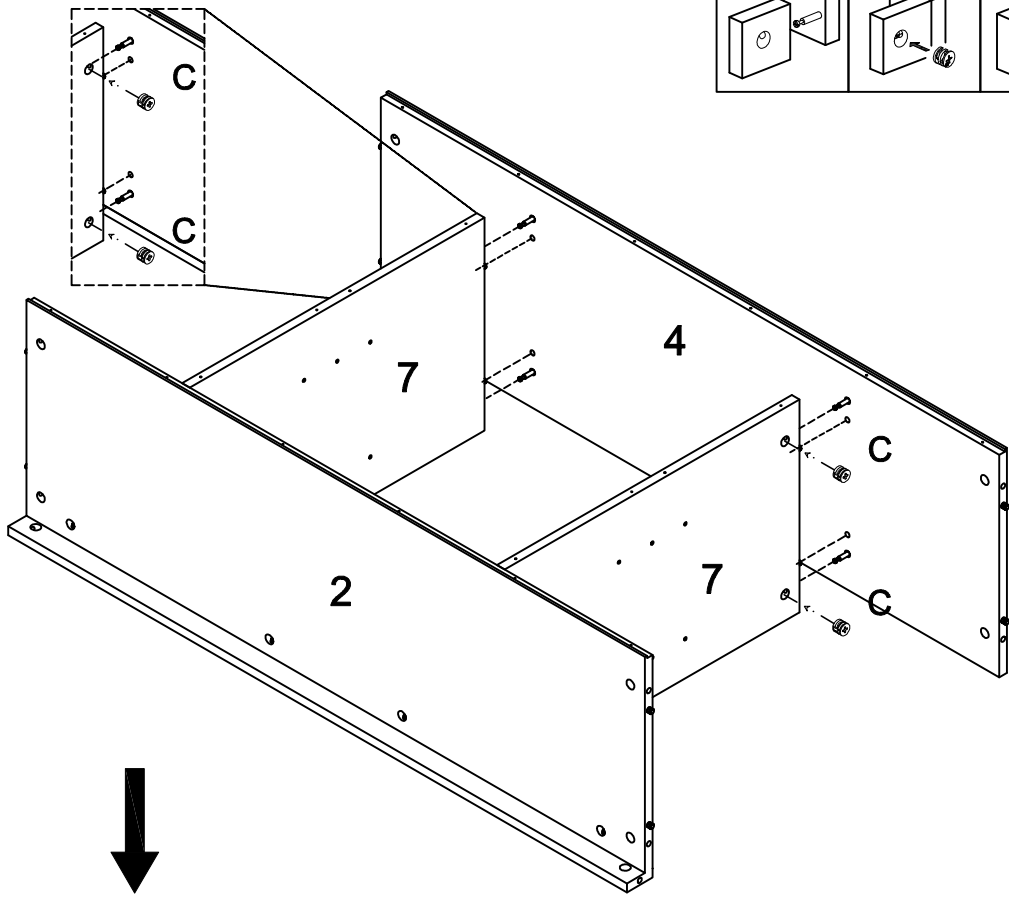
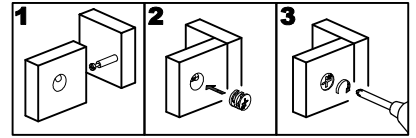
Step 5



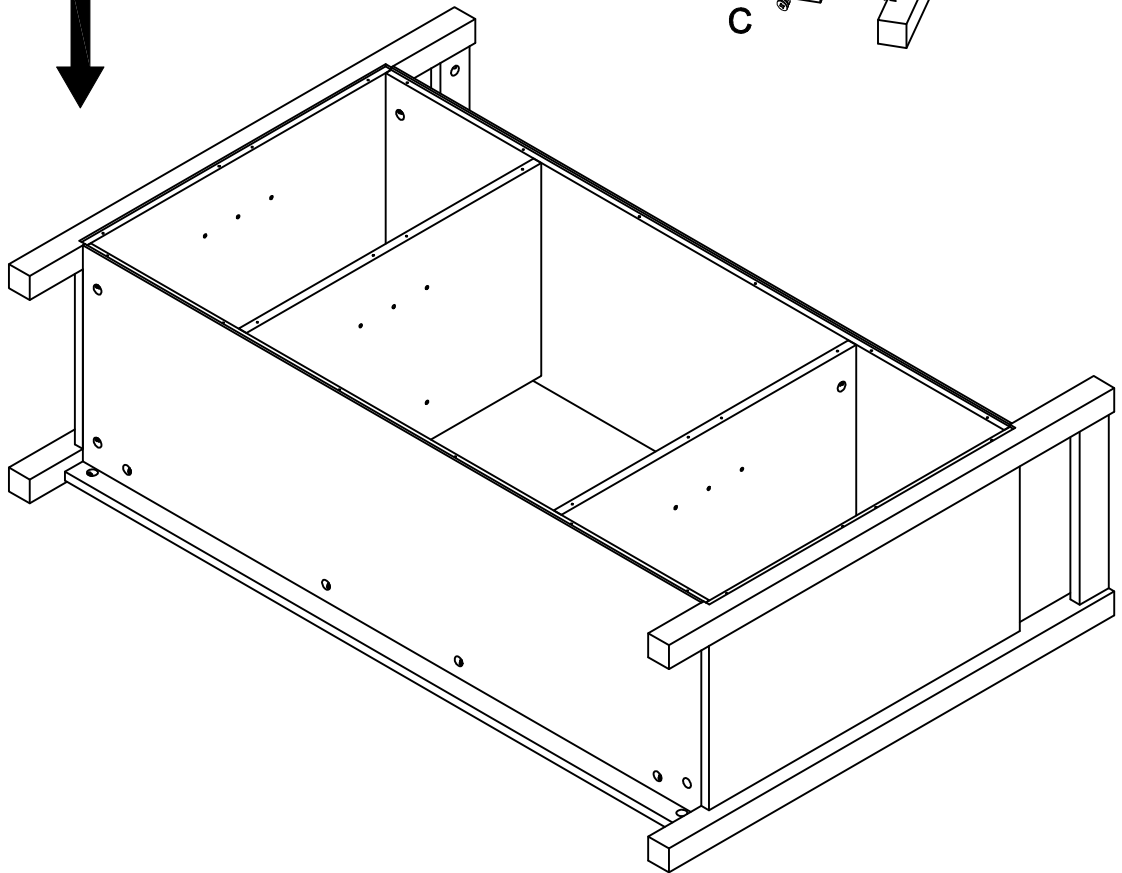
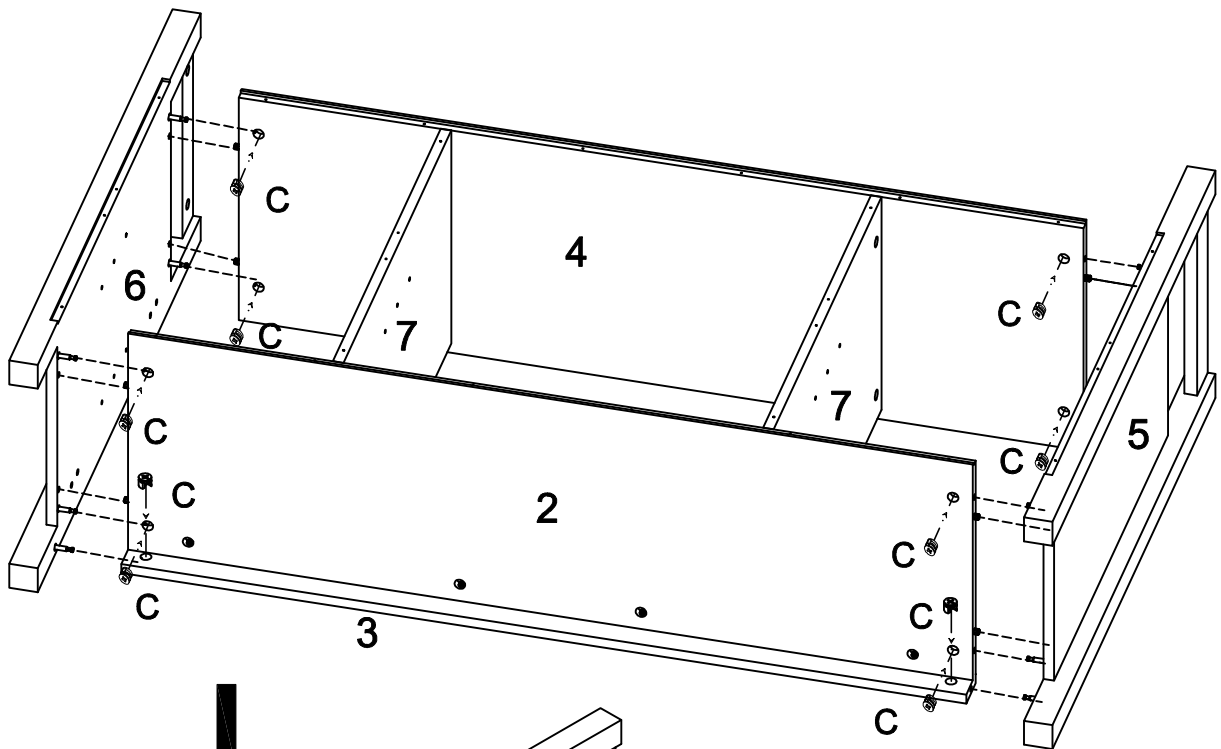
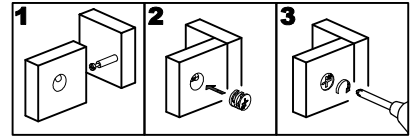
Step 6



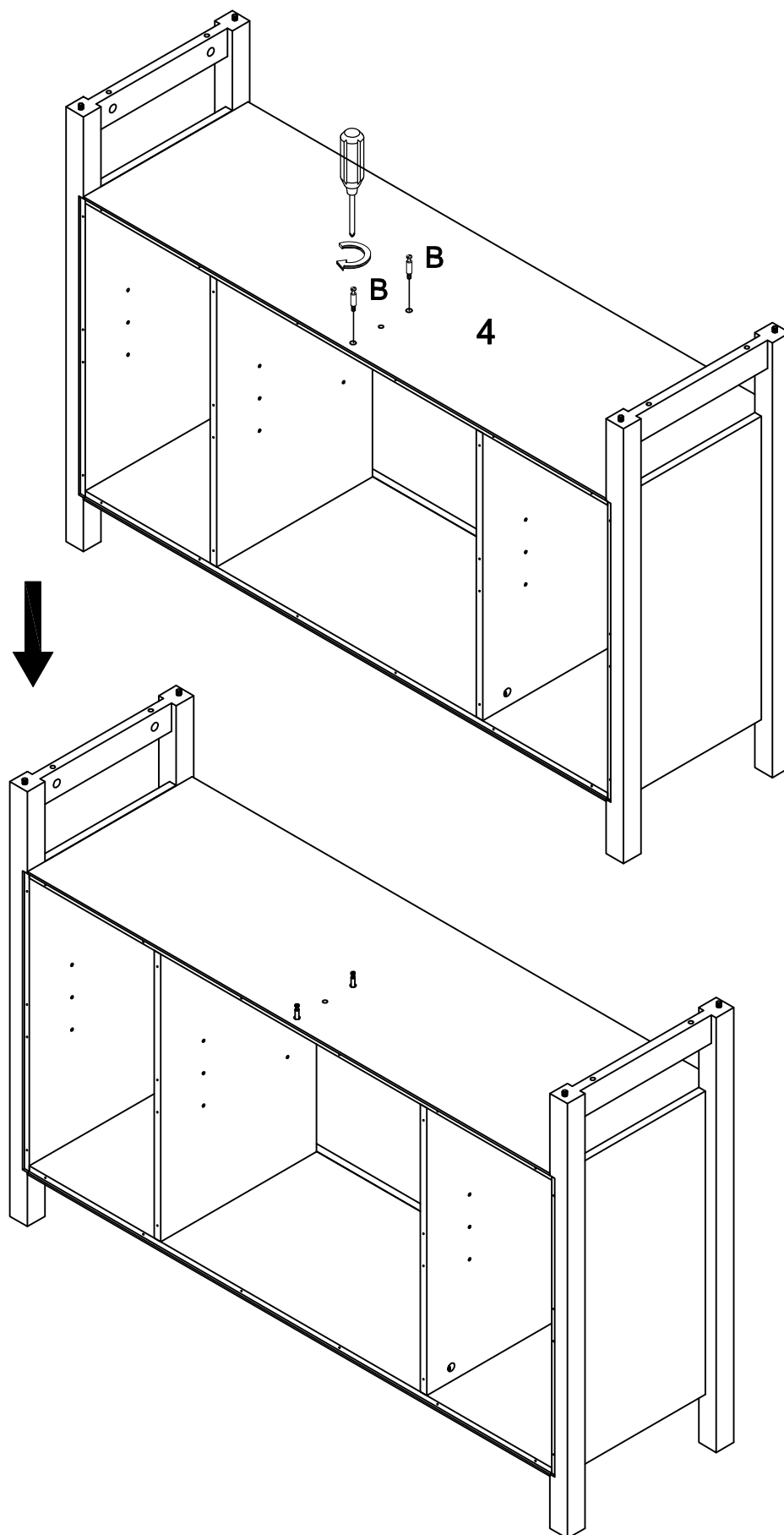
Step 7



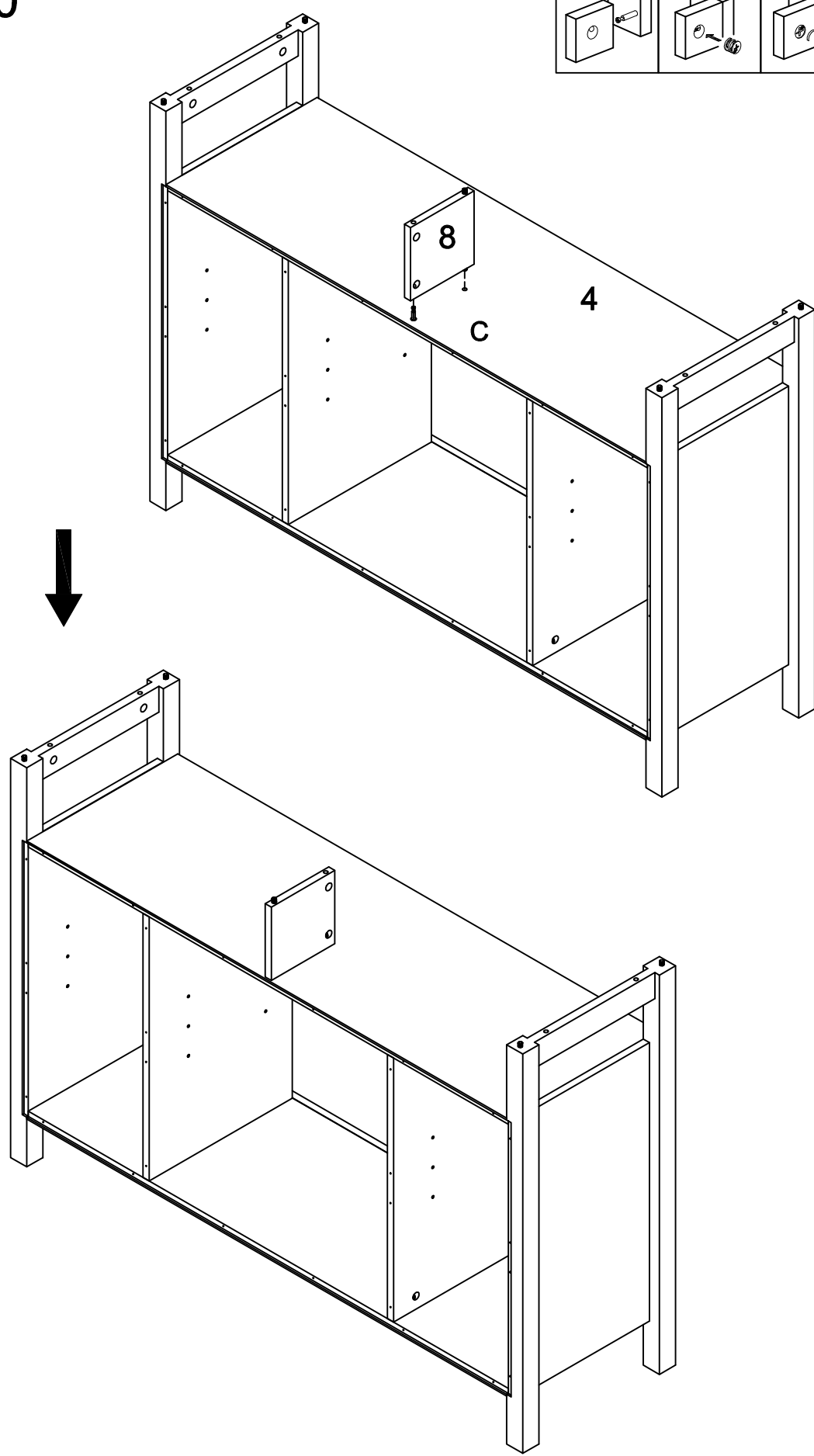
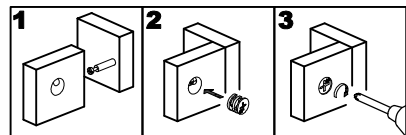
Step 8



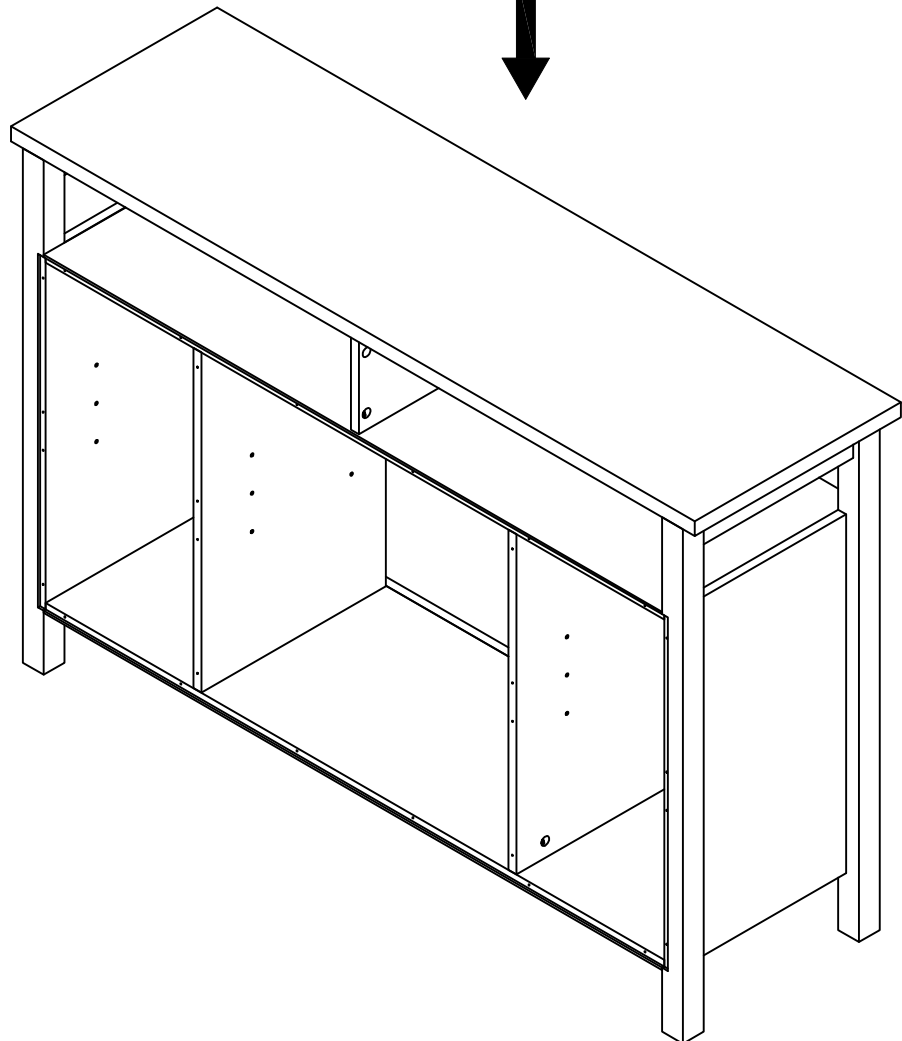
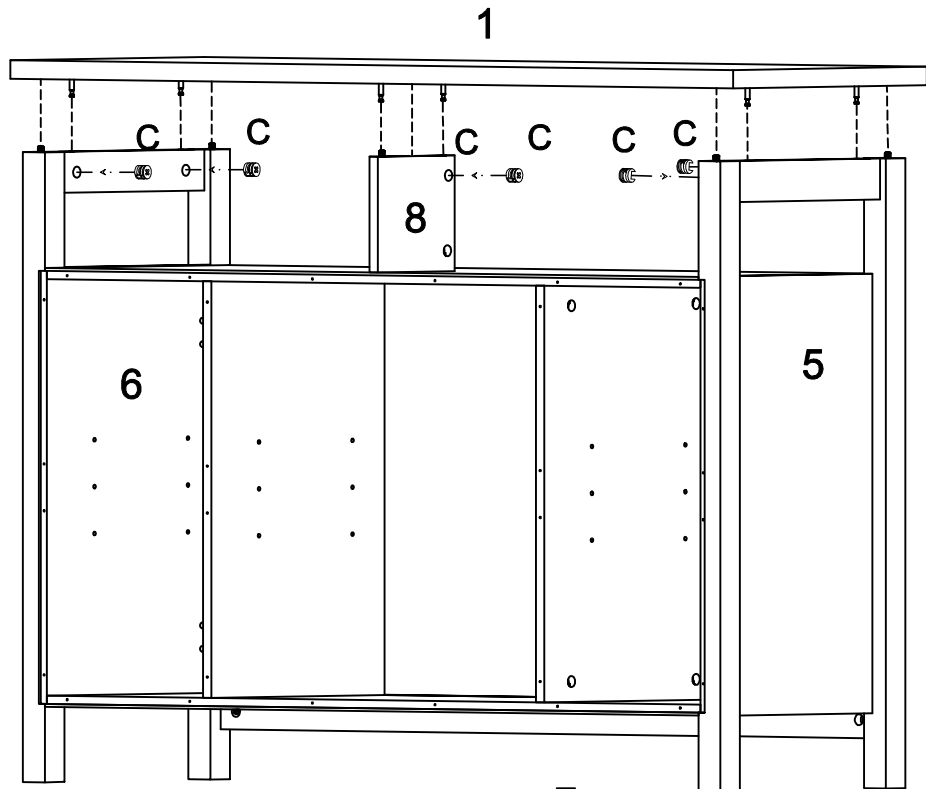
Step 9



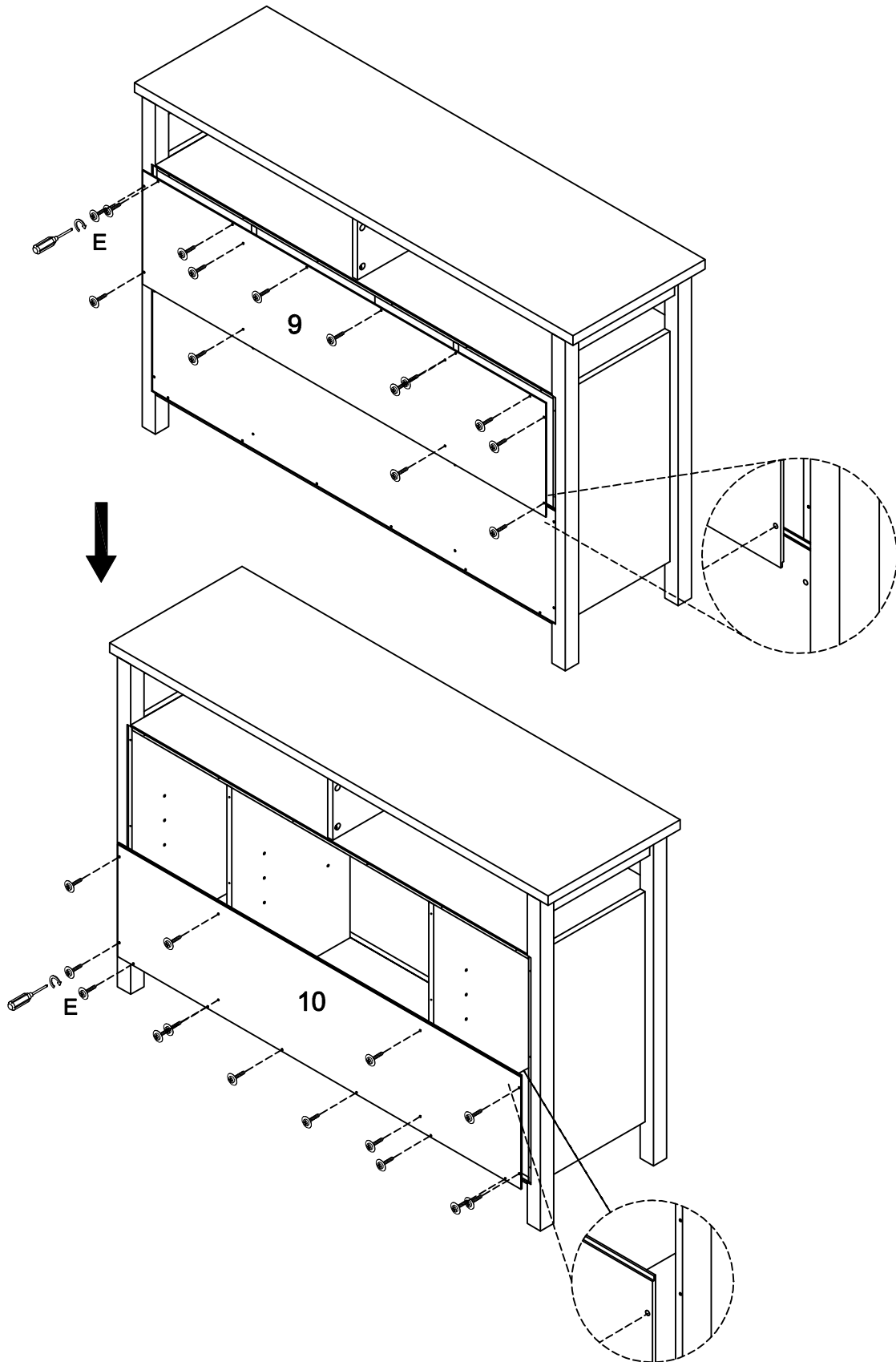
Step 10



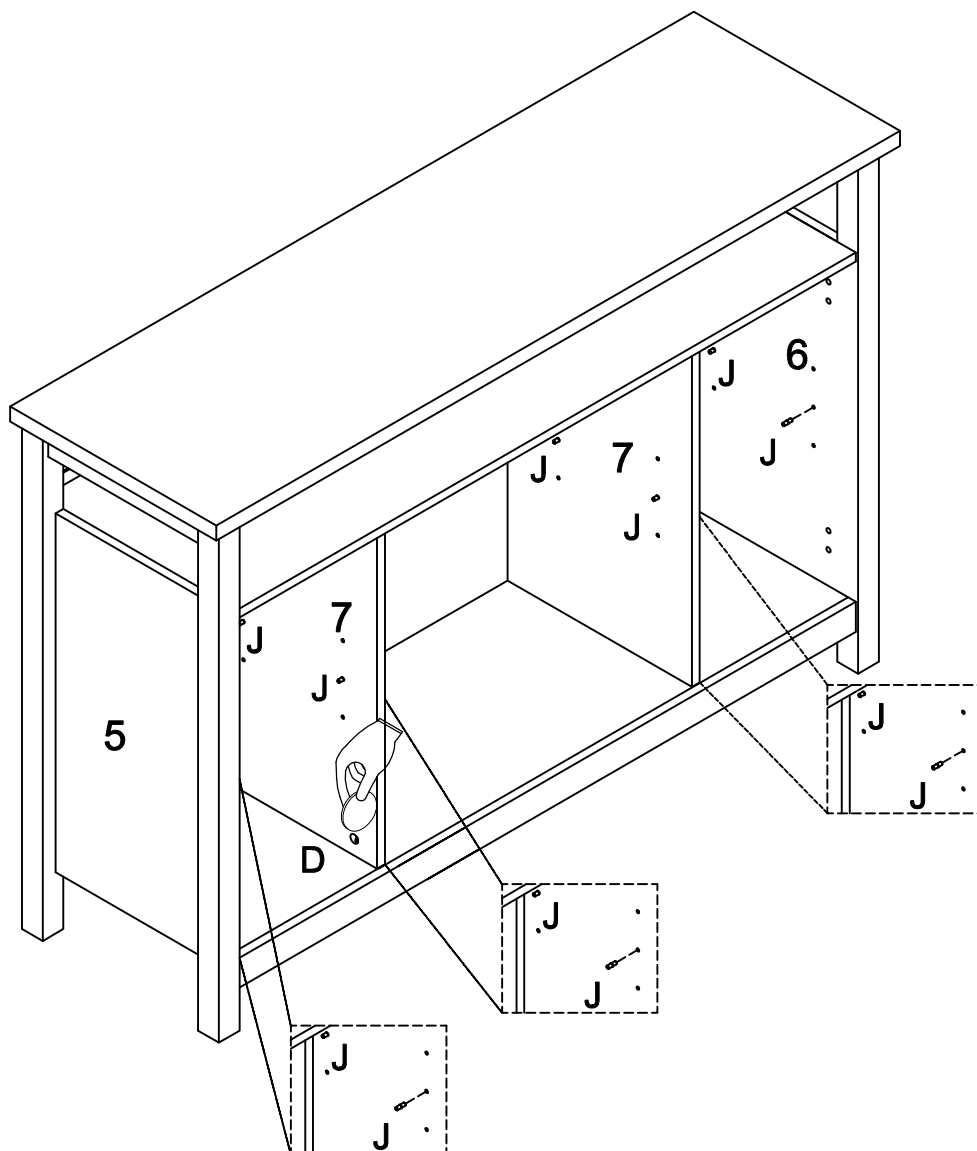
Step 11



Step 12



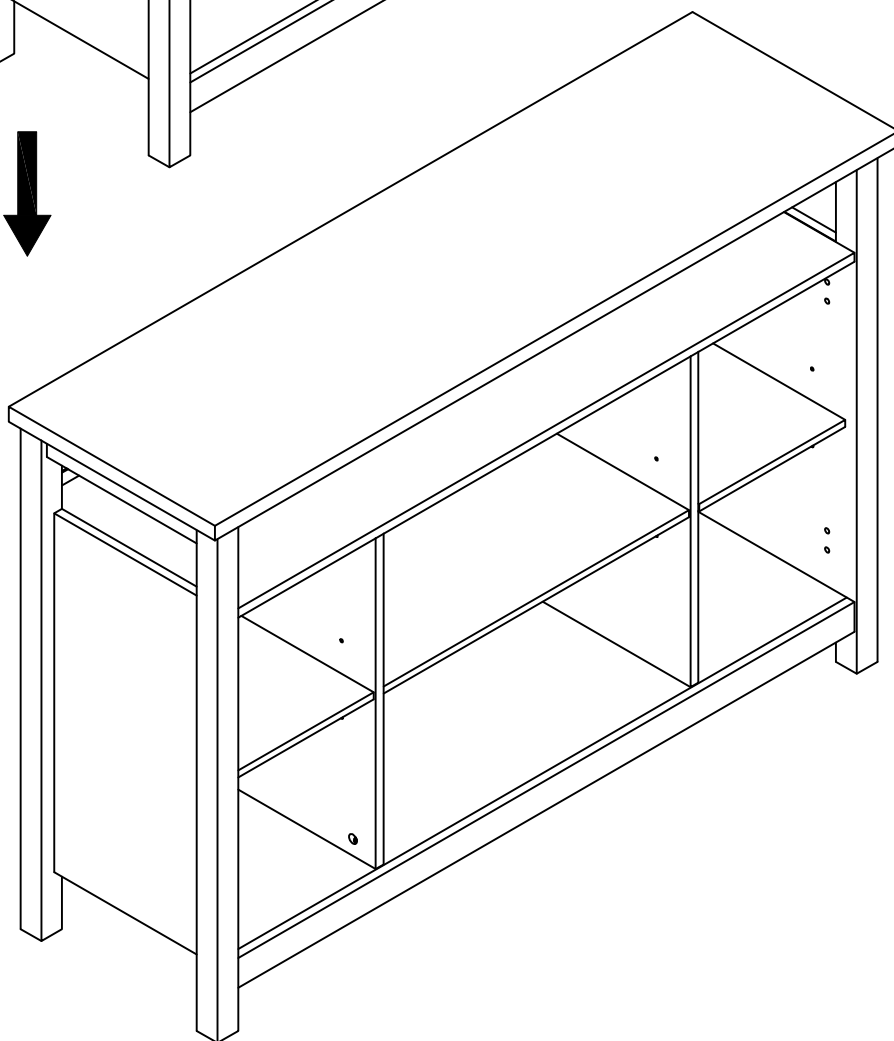
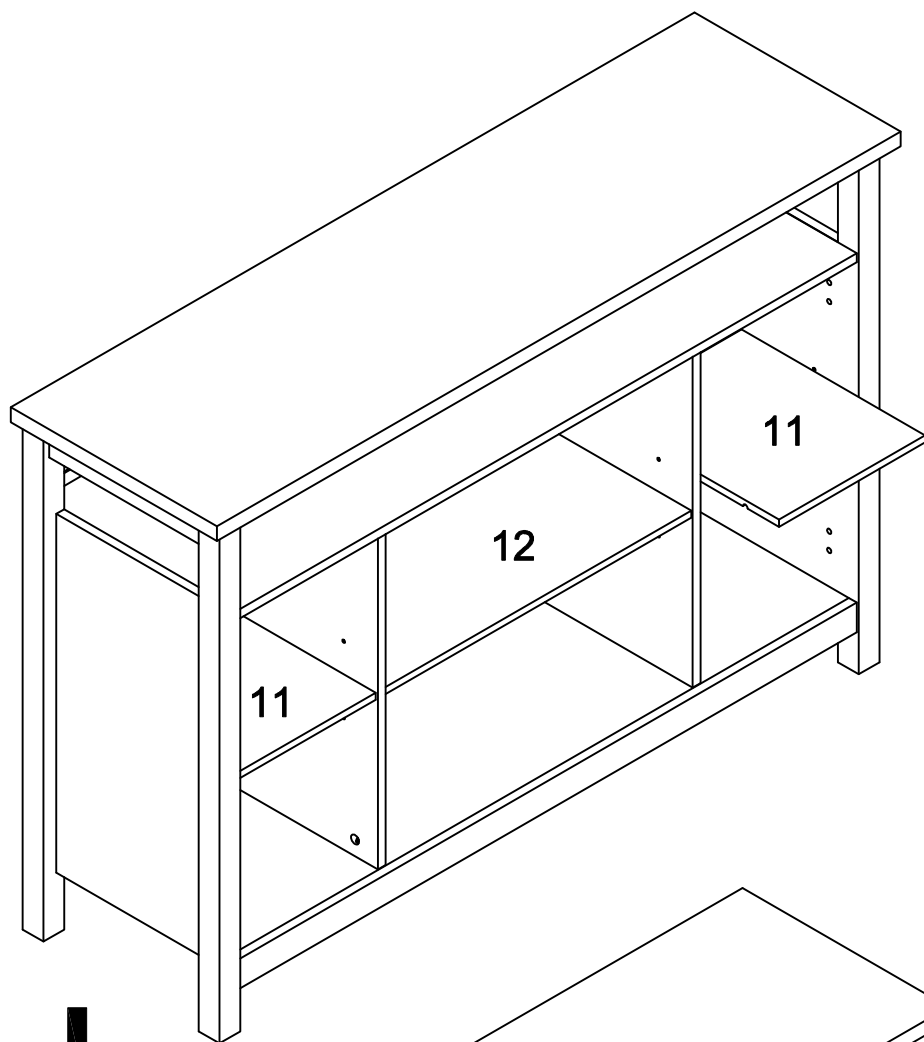
Step 13



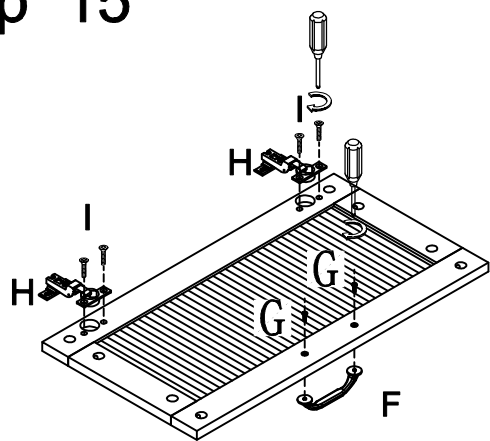
1 / Using sticker (D) cover the cam lock holes as per diagram

2 / Insert shelf support pin(J) into parts(5/6/7/8) as per diagram.

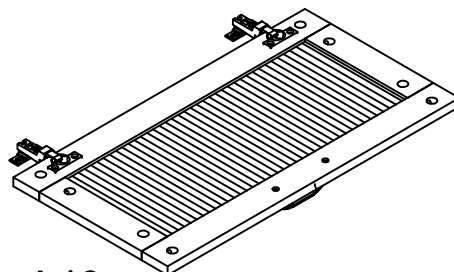
Step 14



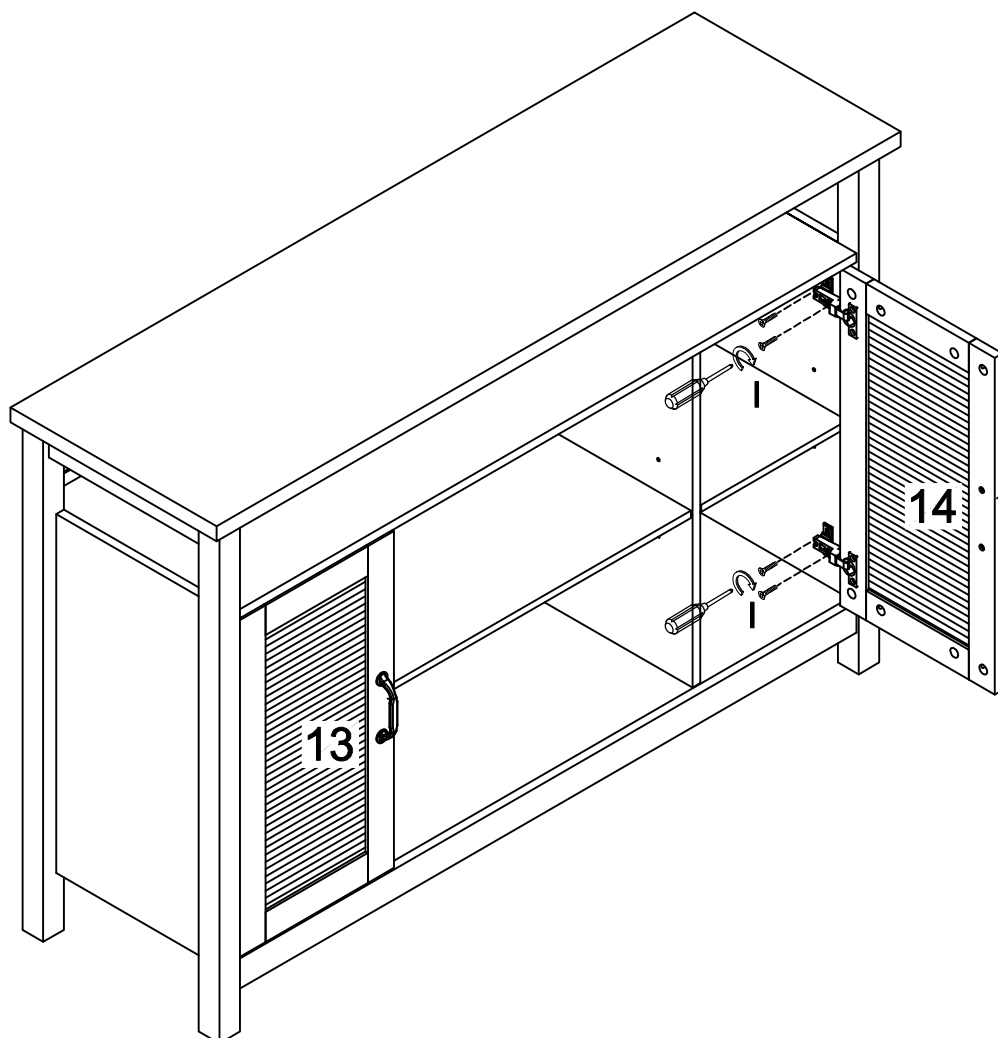
Step 15



14 and 13



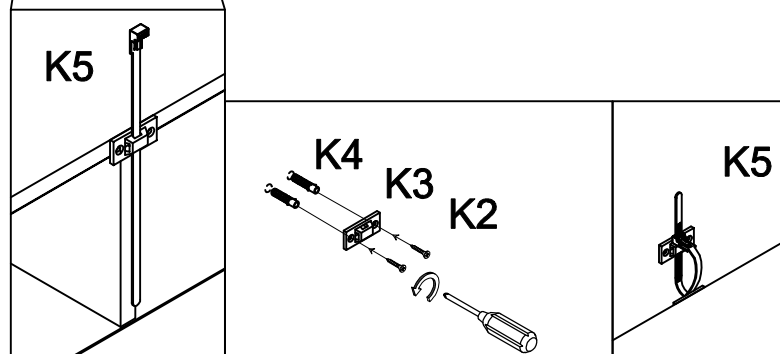
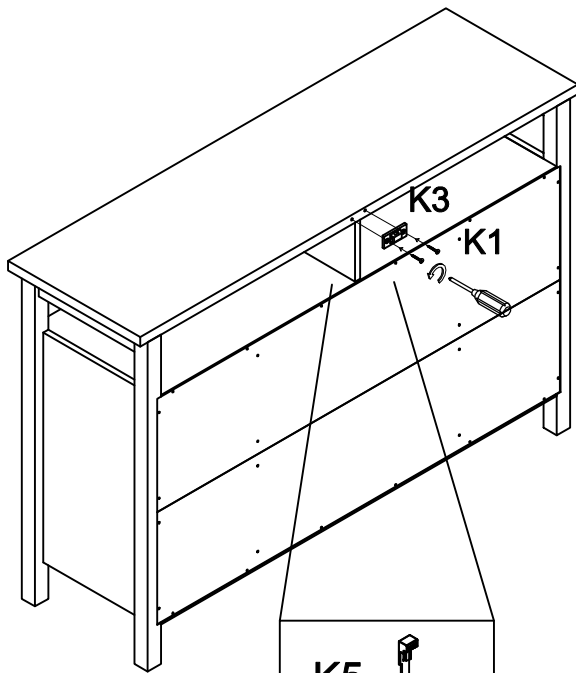
14 and 13



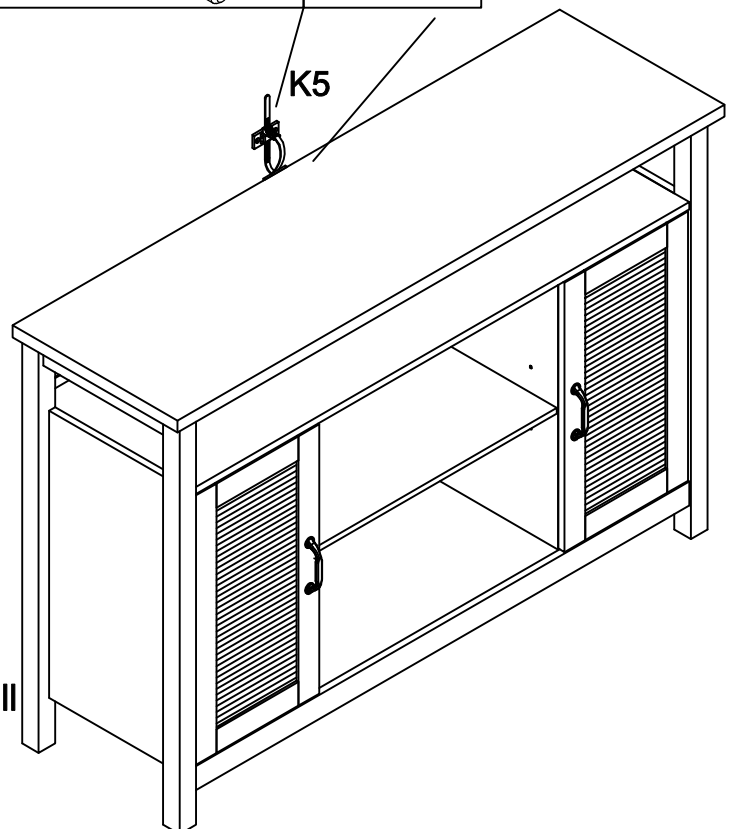
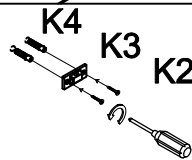
Step 16

WARNING

Serious or fatal injuries can occur from furniture tipping over. To prevent the furniture from tipping over we recommend that it is permanently fixed to the wall. Wall anchor and hardware are included with this product. Please make sure hard is suitable for your walls before installing, as different wall materials may require different types of anchors.

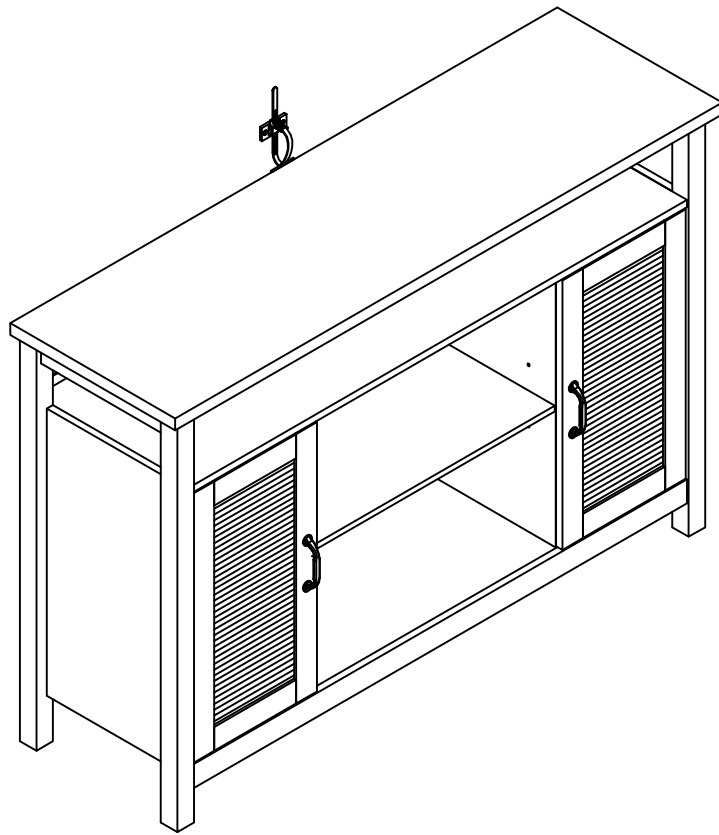


WALL



Insert the plastic nut(K4) into the wall and using screw(K2) fix (K3) with nut(K4) in the wall . The unit is now ready for use.

Step 17



Final Assembly