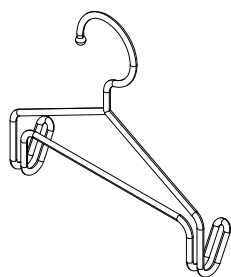
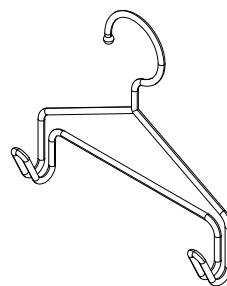


Assembly instructions

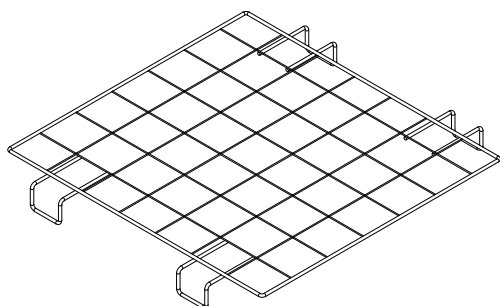
Parts included



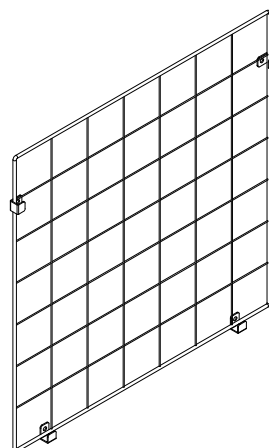
A 1pc



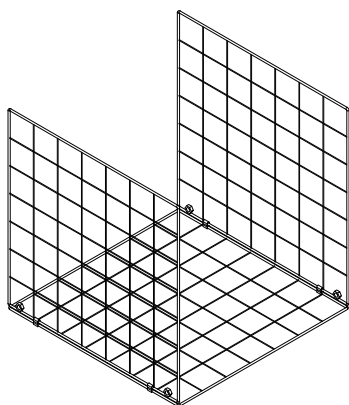
B 1pc



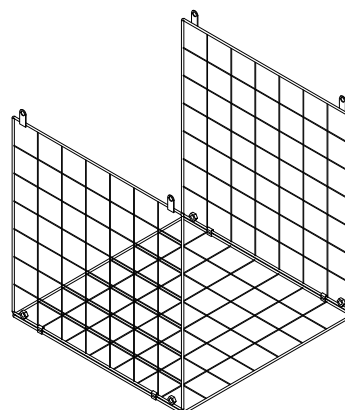
C 2pcs



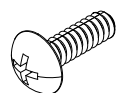
D 3pcs



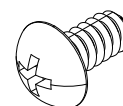
E 1pc



F 2pcs



① 14pcs

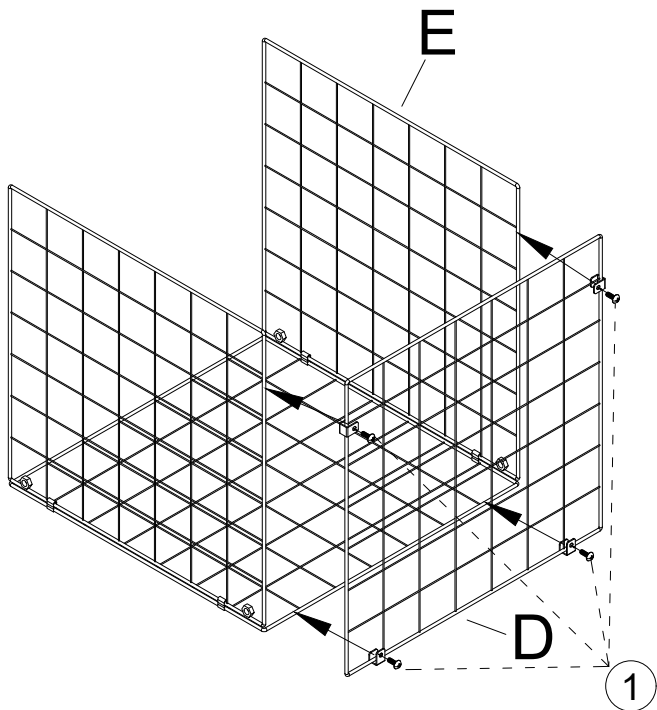


② 10pcs

Installation steps

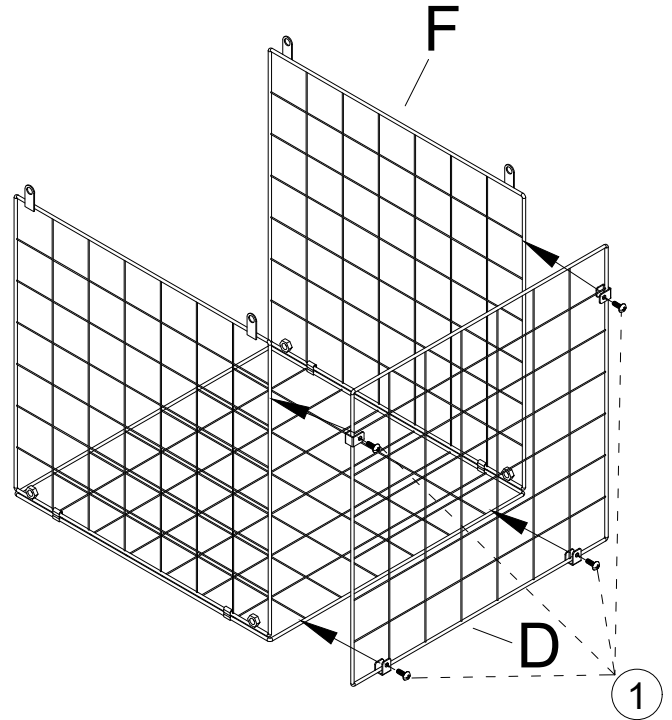
Step1

Please use the screws ① to connect the D and E. Tip: firstly you can fix the top of D and E, then finish the bottom of D and E.



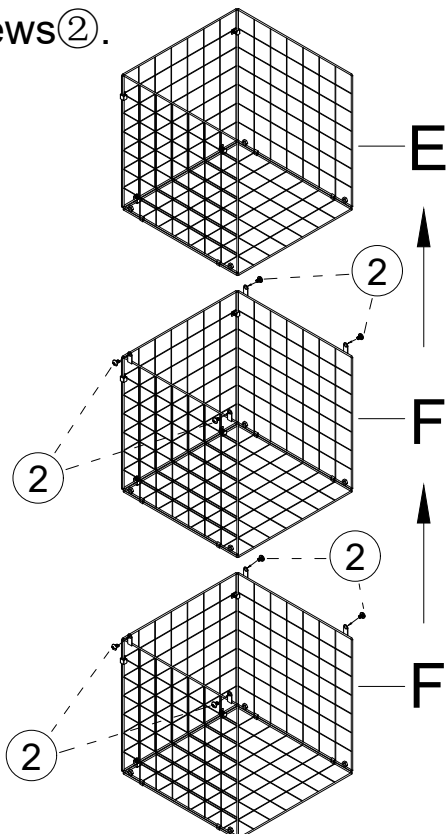
Step2

Please use the screws ① to connect the D and F. Tip: firstly you can fix the top of D and F, then finish the bottom of D and F.



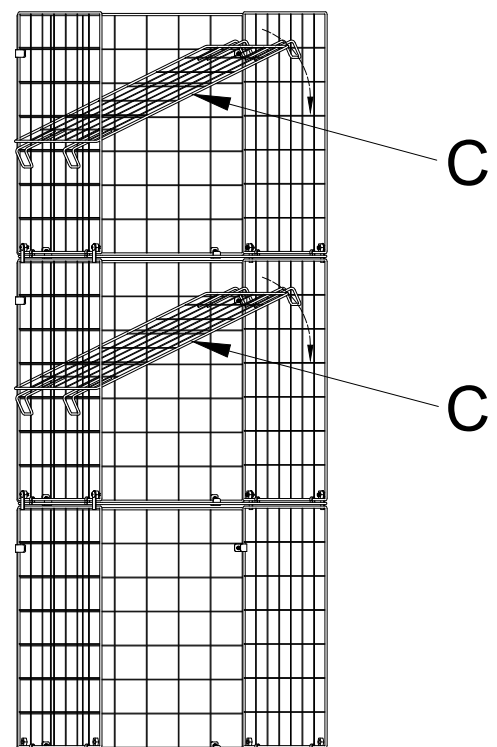
Step3

Please use the screws ② to connect the F and F, then connect the E and F by screws ②.



Step4

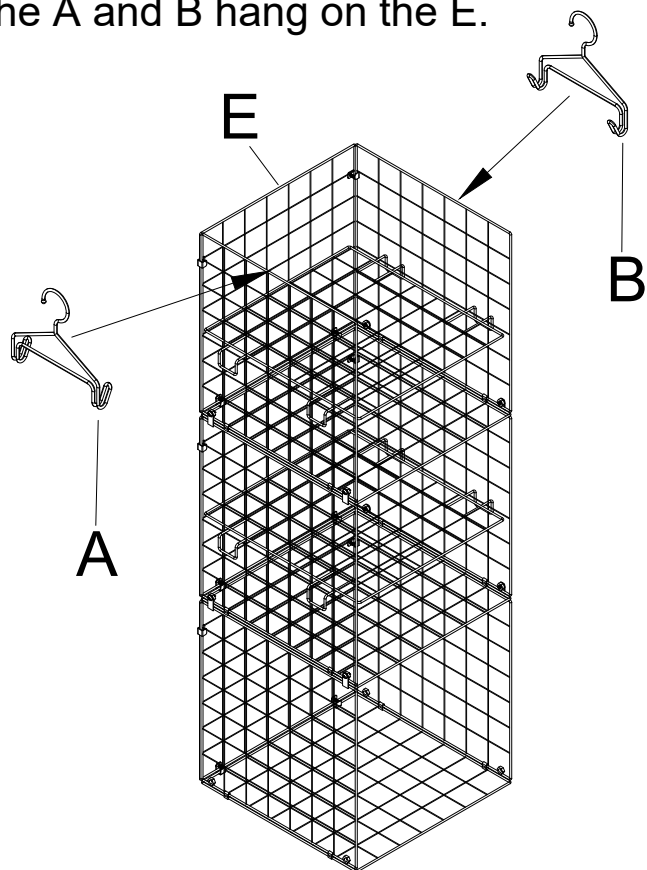
Please take out the C to install in the basket.



Installation steps

Step5

Please look at the picture, and make the A and B hang on the E.



Step6

Great! You have finished it.

