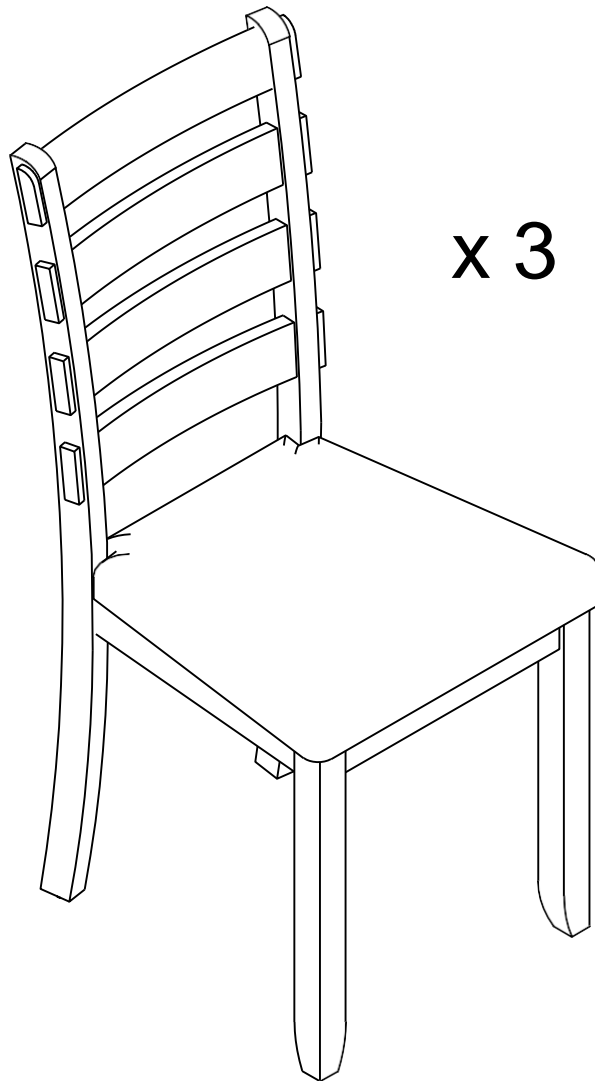


# ASSEMBLY INSTRUCTION

## DINING CHAIR

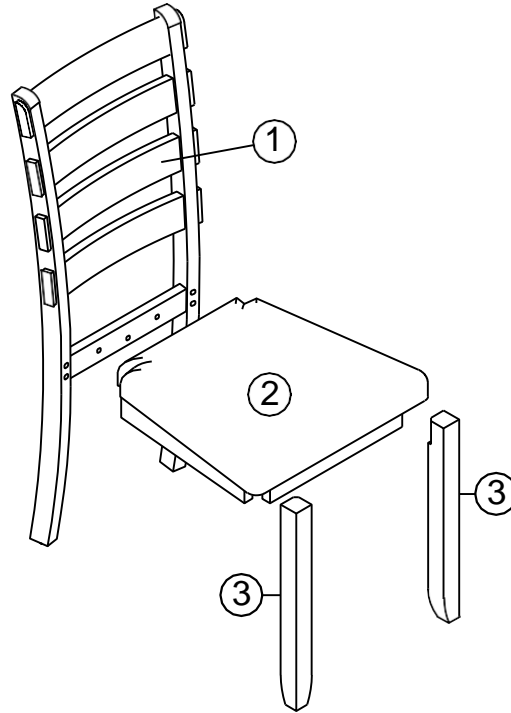


**N715P406648**

### IMPORTANT NOTE:

- 1: PLACE ALL PARTS ON A CLEAN AND SMOOTH SURFACE SUCH AS A OR CARPET TO AVOID THE PARTS FROM BEING SCRATCHED.
- 2: BEFORE YOU BEGIN, KINDLY FOLLOW THE ASSEMBLY INSTRUCTIONS STEP BY STEP.
- 3: DO NOT TIGHTEN ALL SCREWS AND BOLTS UNTIL THE CHAIR IS FULLY SET - UP.

# Detail View



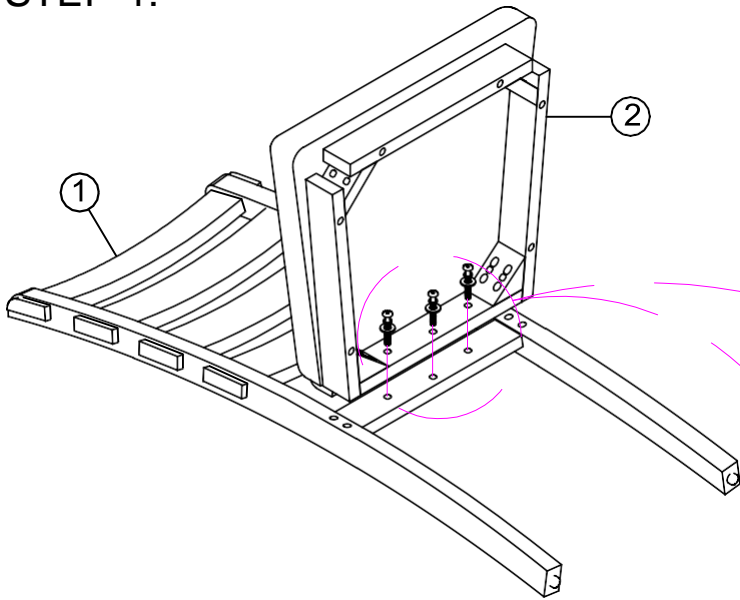
## Part List In Box




<p>BACK FRAME (3 pc)</p>	<p>SEAT FRAME (3 pc)</p>	<p>FRONT LEG (6 pcs)</p>

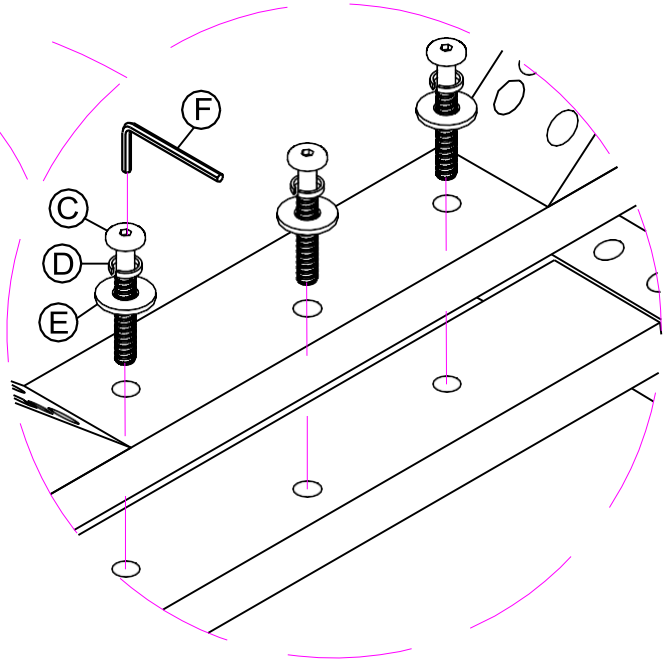
## Hardware List

<p>1/4"x75 mm BOLT (12 pcs)</p>	<p>1/4"x50 mm BOLT (12 pcs)</p>	<p>1/4"x35 mm BOLT (9 pcs)</p>
<p>1/4"x11 mm LOCK WASHER (33 pcs)</p>	<p>1/4"x19 mm FLAT WASHER (33 pcs)</p>	<p>4x58mm ALLEN KEY (2 pc)</p>

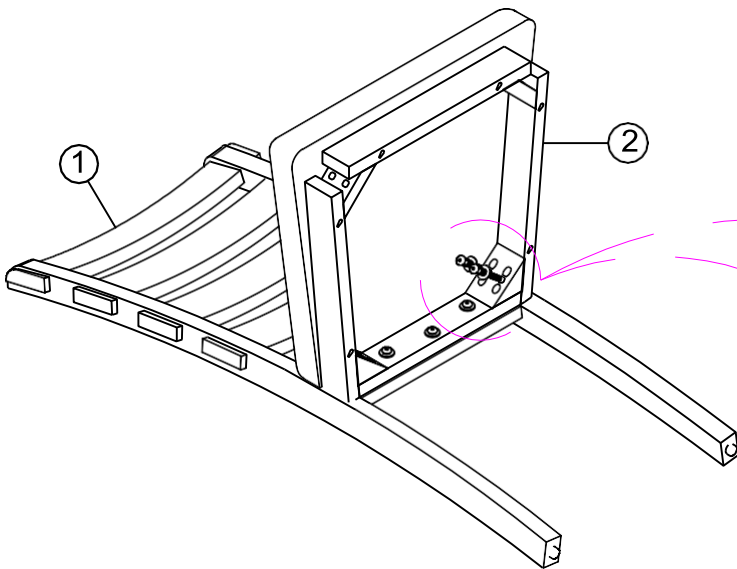
STEP 1:






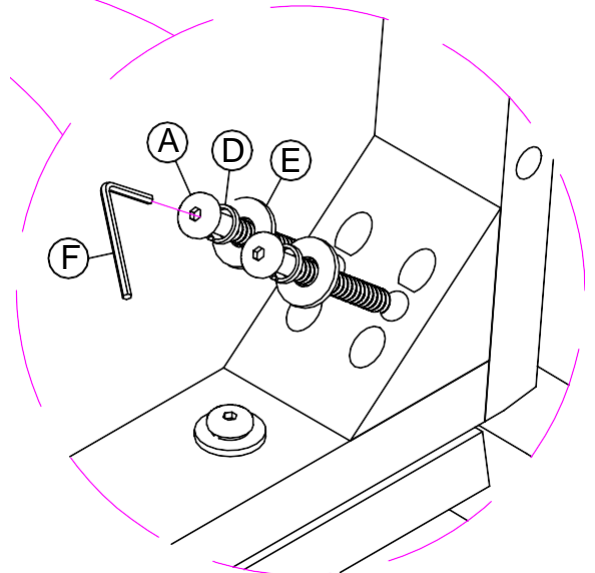
<b>C</b> 	<b>D</b> 	<b>E</b> 
9 pcs	9 pcs	9 pcs






STEP 2:

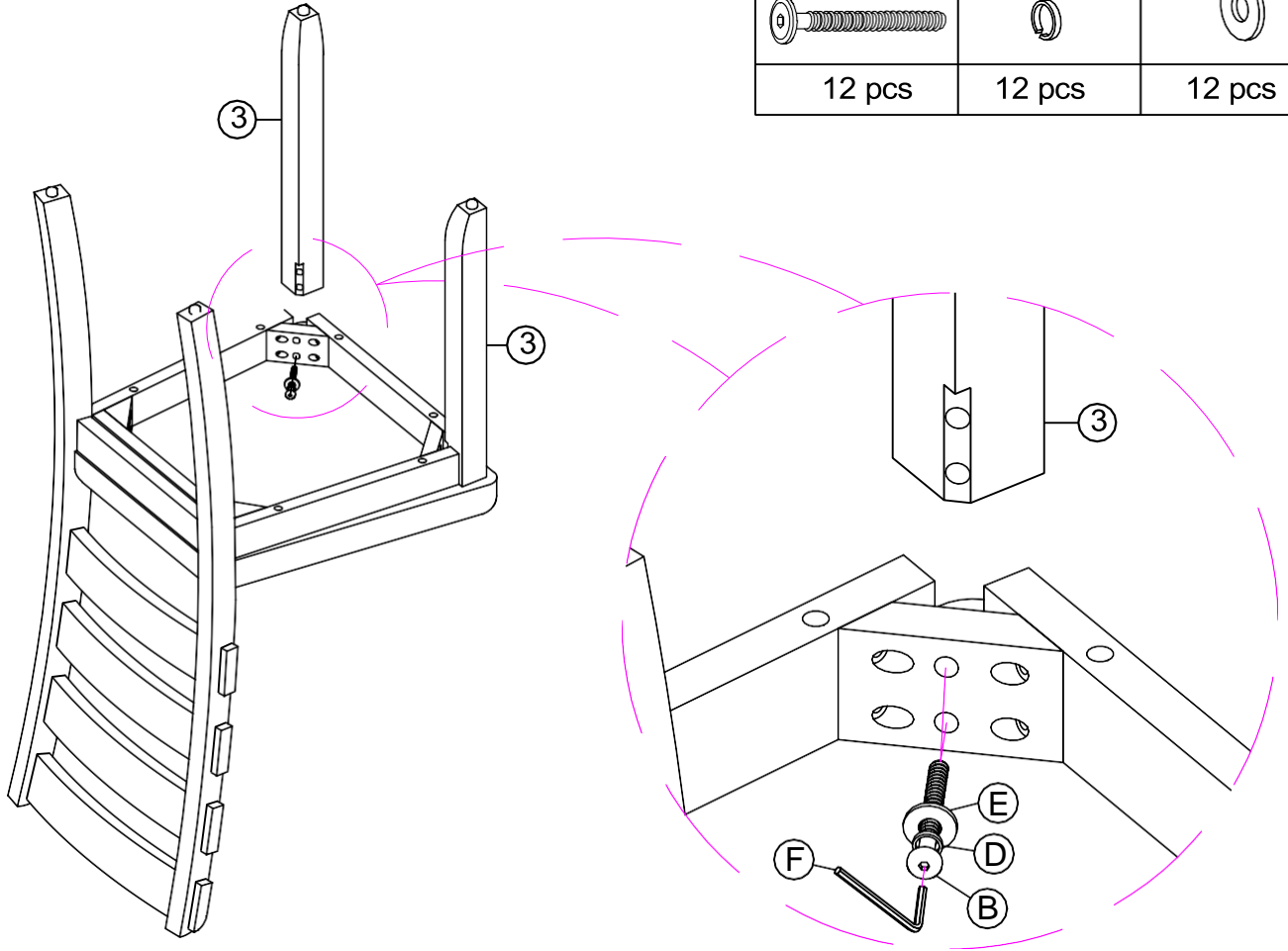


<b>A</b> 	<b>D</b> 	<b>E</b> 
12 pcs	12 pcs	12 pcs



STEP 3:

<b>(B)</b> 	<b>(D)</b> 	<b>(E)</b> 
12 pcs	12 pcs	12 pcs



FULLY

