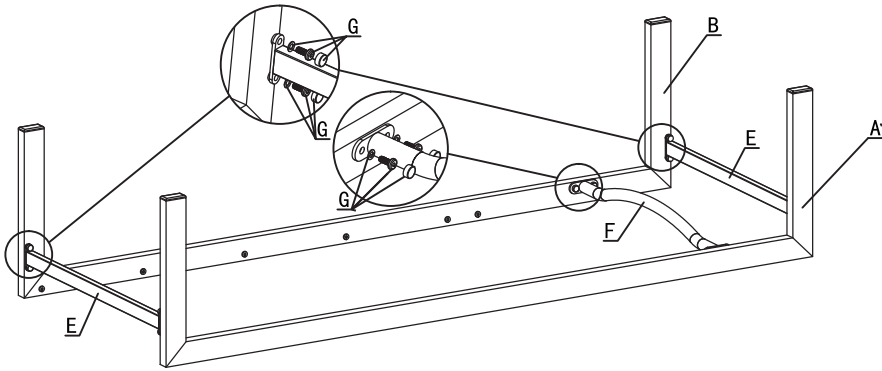


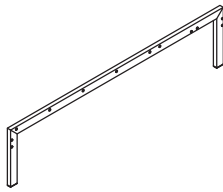
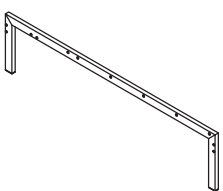
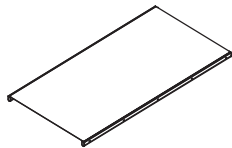
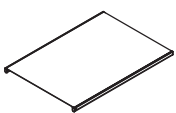
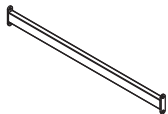
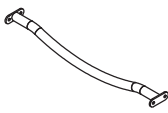



# OUTDOOR PATIO ALUMINUM LOUNGE CHAIR

## ASSEMBLY INSTRUCTION

### 1

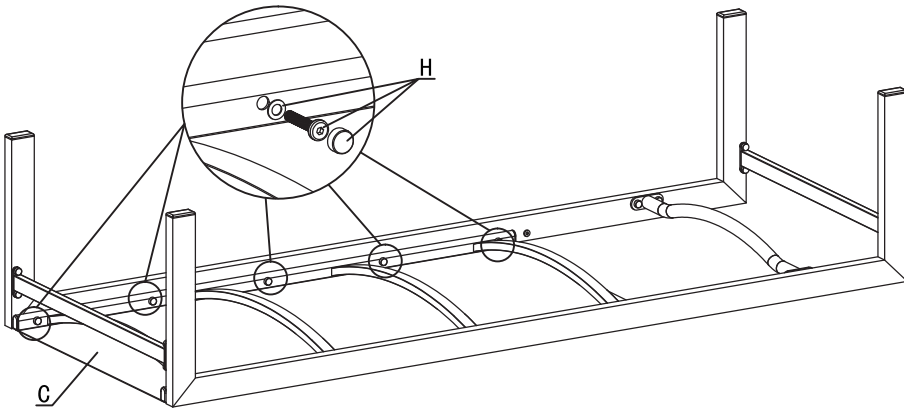
.Connect part A,part B , part E and part F by using bolt G .  
Attention: Don't overtighten all bolts.



	A Left leg 1pc
	B Right leg 1pc
	C Seat 1pc
	D Back 1pc
	E Support 2pc
	F Support 1pc
	G M6X15 12 pcs
	H M6X32 12 pcs
	I 1pc

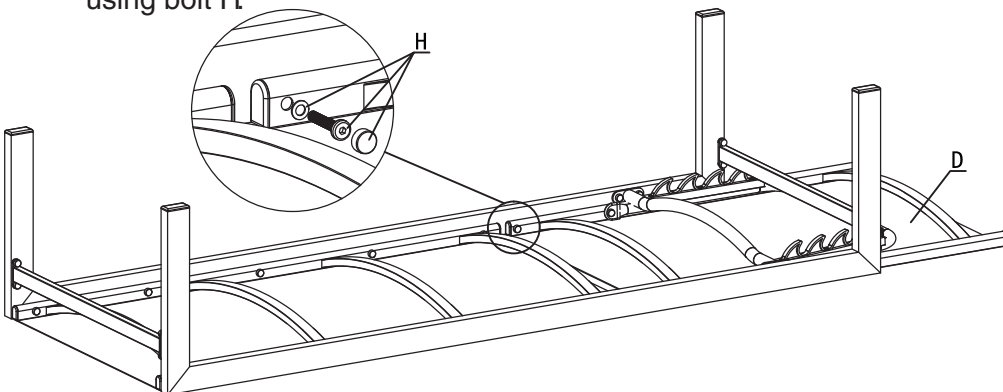
### 2

.Connect part C and part A,part B by using bolt H



### 3

.Connect part D and part A, part B by using bolt H



**4** .Tighten up all of the bolts.You can adjust the back easily.

