

ASSEMBLY INSTRUCTION

Thank you for purchasing our product. Please refer and use this assembly instruction to assemble the product.

Contact our customer service department in case there are any missing or damage parts or hardware.


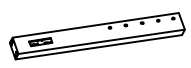
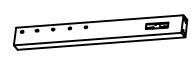





Replacement parts are normally shipped within 2 or 3 days.

PRODUCTS PURCHASED THROUGH OUR AUTHORIZED VENDORS ONLY ARE ELIGIBLE FOR REPLACEMENT PARTS

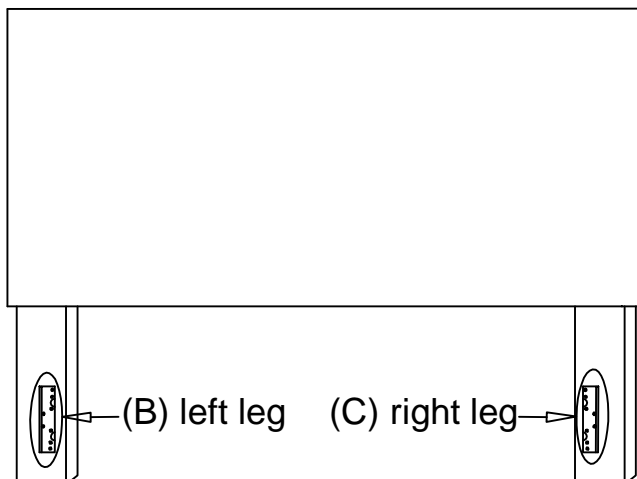
We appreciate your business!

THIS PRODUCT IS FOR INDOOR AND HOUSEHOLD USE ONLY- NOT FOR COMMERCIAL USE.

Emery Upholstered Queen Headboard

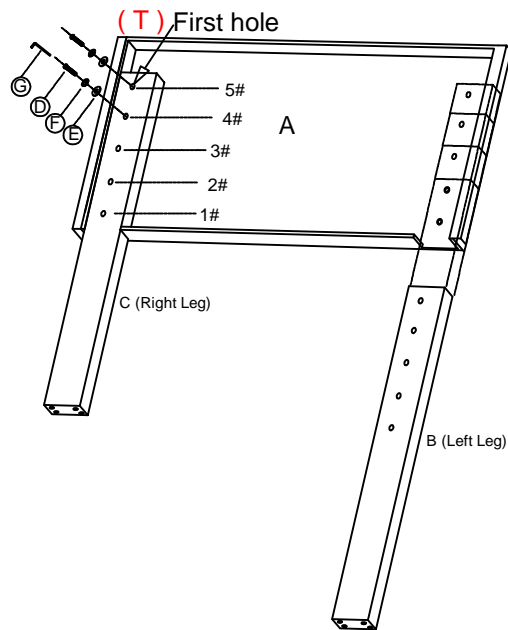
A Headboard  1 pc	B Left Leg (See diagram below)  1 pc	C Right Leg (See diagram below)  1 pc	D Bolt 1/4 x 65mm  10 pcs	E Flat Washer  10 pcs
F Lock Washer  10 pcs	G Allen Wrench  1 pc	H Back Cover  1 pcs		

This page lists all the contents included in the box. Please take the time to identify the hardware as well as the individual components to this product. As you unpack and prepare for assembly, place the contents on a carpeted or padded area to protect them from damage.



1

Assemble the Headboard Panel (A) and the Legs (Left Leg& Right Leg).



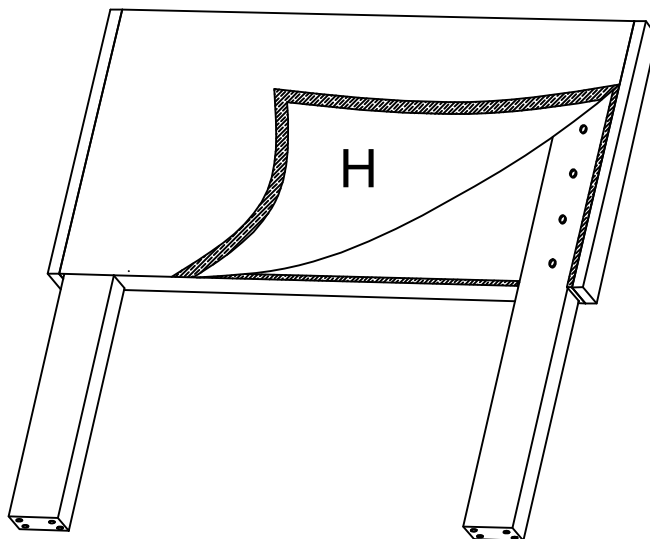
IMPORTANT!

Please check your box spring and / or mattress thickness before your assembly.

Box Spring + Mattress	Adjustable Headboard Height
Under 14"	T match 5#
14"-18"	T match 4#
18"-22"	T match 3#
22"-26"	T match 2#
26"-UP	T match 1#

2

Cover the fabric lining behind the headboard.



Care

Wipe clean with a soft, dry cloth. Avoid the use of harsh chemicals and household cleaners as they may damage the finish. Hardware may loosen over time. Periodically check that all connections are tight. Solid wood is impacted by heat and humidity fluctuations and may result in small joint separations or hairline cracks. Protect your furniture by avoiding direct contact with air conditioning units or heating vents.