

# *ASSEMBLY INSTRUCTIONS*



***COFFEE TABLE***

# ASSEMBLY INSTRUCTIONS

## ASSEMBLY TIPS:

1. Remove hardware from box and sort by size.
2. Please check to see that all hardware and parts are present prior to start of assembly.
3. Please follow attached instructions in the same sequence as numbered to assure fast & easy assembly.



### WARNING!

1. Don't attempt to repair or modify parts that are broken or defective. Please contact the store immediately.
2. This product is for home use only and not intended for commercial establishments.

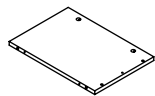


ASSEMBLY TIME

30 MINUTES

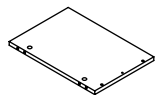
## PARTS IDENTIFICATION

A LEFT SIDE PANEL



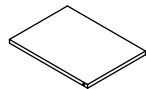
1 PC

B RIGHT SIDE PANEL



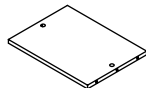
1 PC

C DOOR



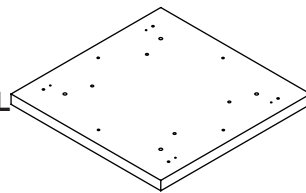
1 PC

D BACK PANEL



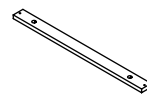
1 PC

E BOTTOM PANEL



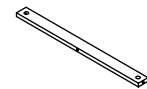
1 PC

F LONG CROSS BRACE



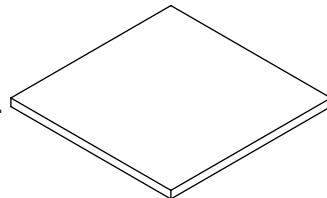
2 PCS

G SHORT CROSS BRACE



2 PCS

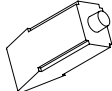



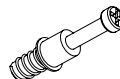
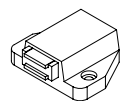
H TOP PANEL



1 PC

Z

## HARDWARE IDENTIFICATION

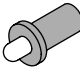
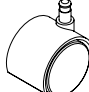
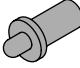
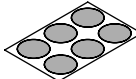


NO	DESCRIPTION	FIGURE	Q'TY	NO	DESCRIPTION	FIGURE	Q'TY
1	GLUE 40g		1 PC	4	CAM LOCK Ø 15x12mm		14 PCS
2	WOODEN DOWEL Ø 8x30mm		20 PCS	5	BOLT Ø 9.5x55mm		4 PCS
3	CAM BOLT Ø 7x35.5mm		14 PCS	6	SINGLE MAGNETIC CATCH		1 PC

### NOTE:

Phillips head screw driver is required in the assembly process; however, manufacturer does not provide this item.

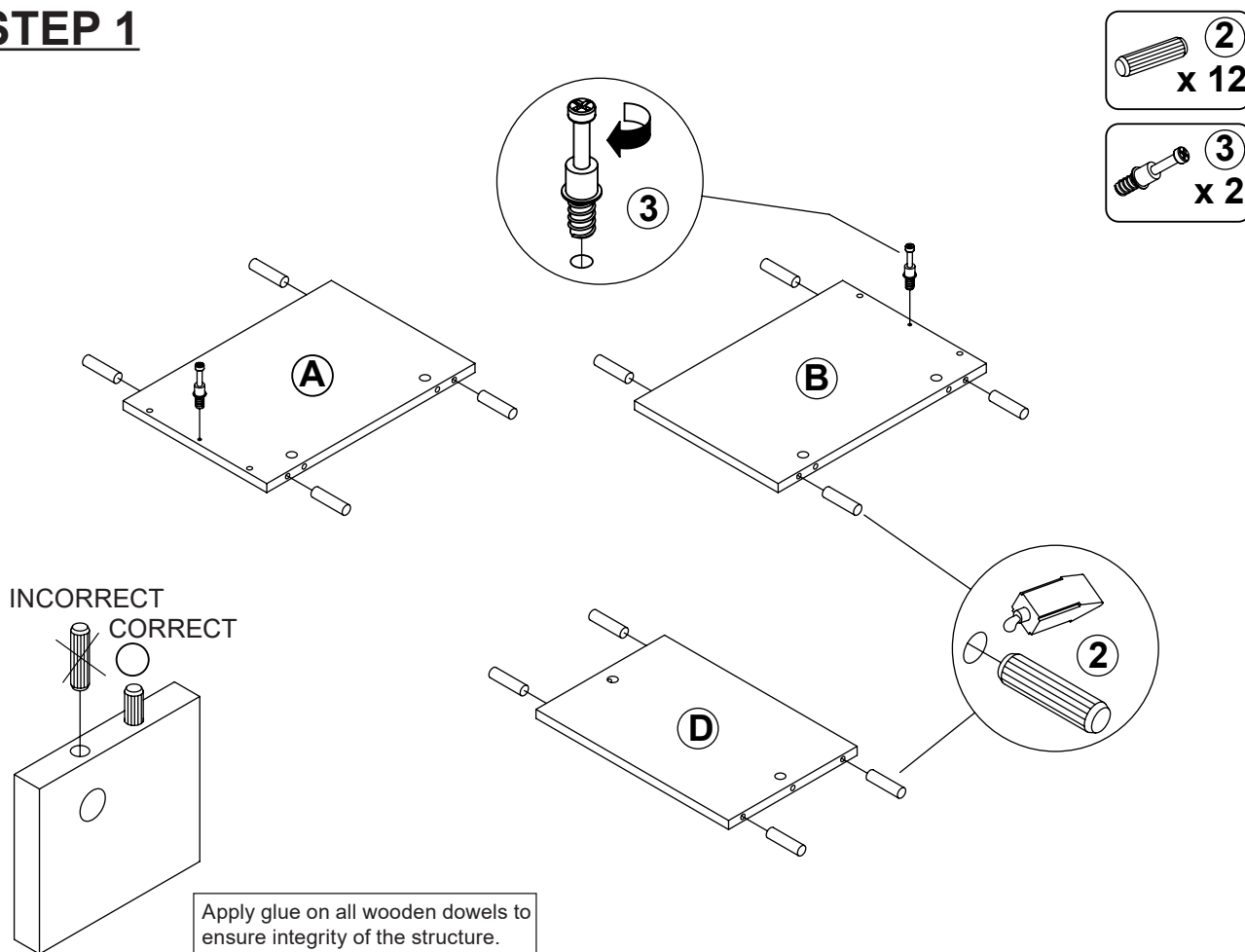
Z

## HARDWARE IDENTIFICATION

NO	DESCRIPTION	FIGURE	Q'TY	NO	DESCRIPTION	FIGURE	Q'TY
7	FLEXIBLE DOOR DAMPER		1 PC	10	CASTER		4 PCS
8	FIXED DOOR DAMPER		1 PC	11	STICKER Ø 20mm		3 PCS
9	SCREW FOR DOOR		1 PC	12	SCREW Ø 3x19mm SR		2 PCS

Z10 not included in blister packaging.

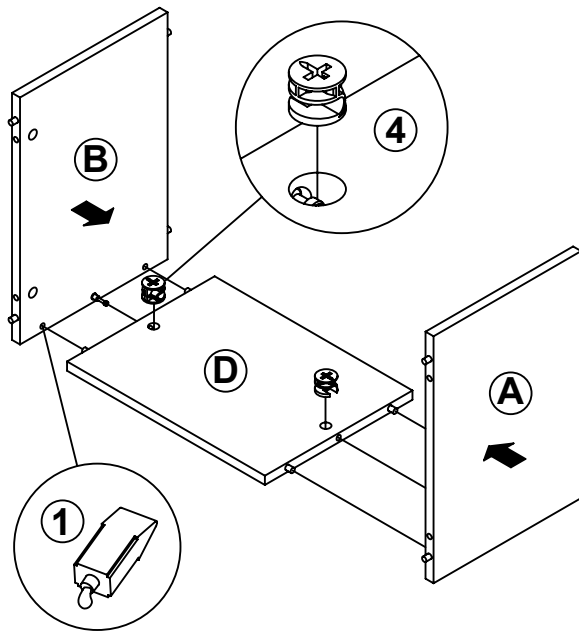
### STEP 1



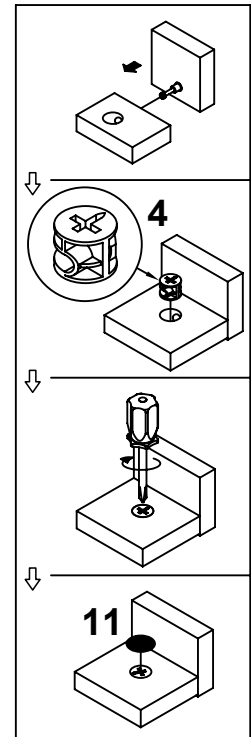
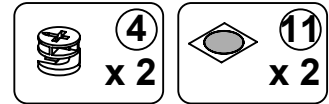
**NOTE:**

Phillips head screw driver is required in the assembly process; however, manufacturer does not provide this item.

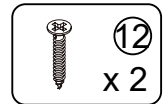
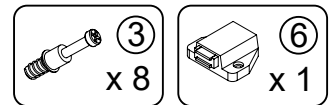
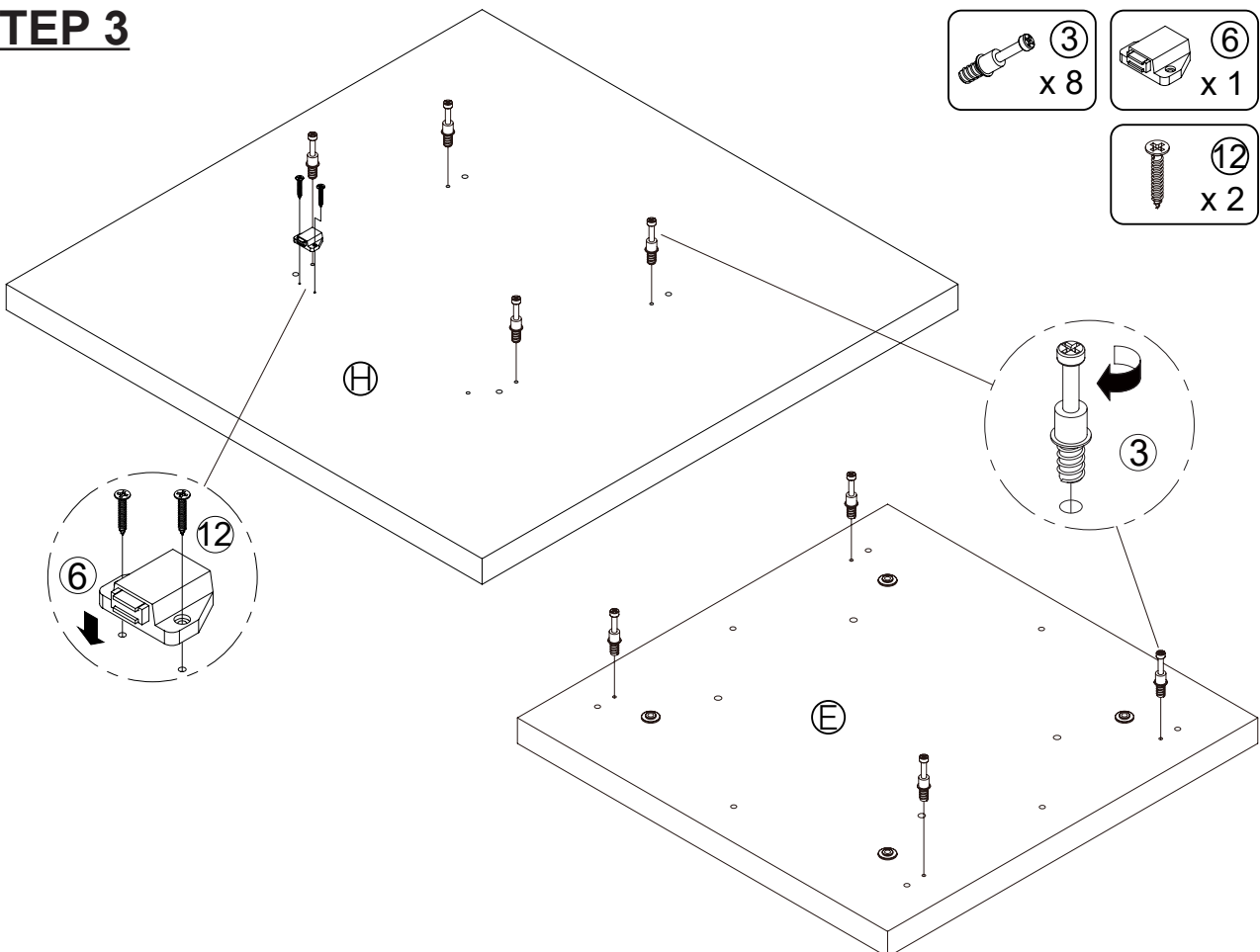
## STEP 2



Apply glue on all wooden dowels to ensure integrity of the structure.

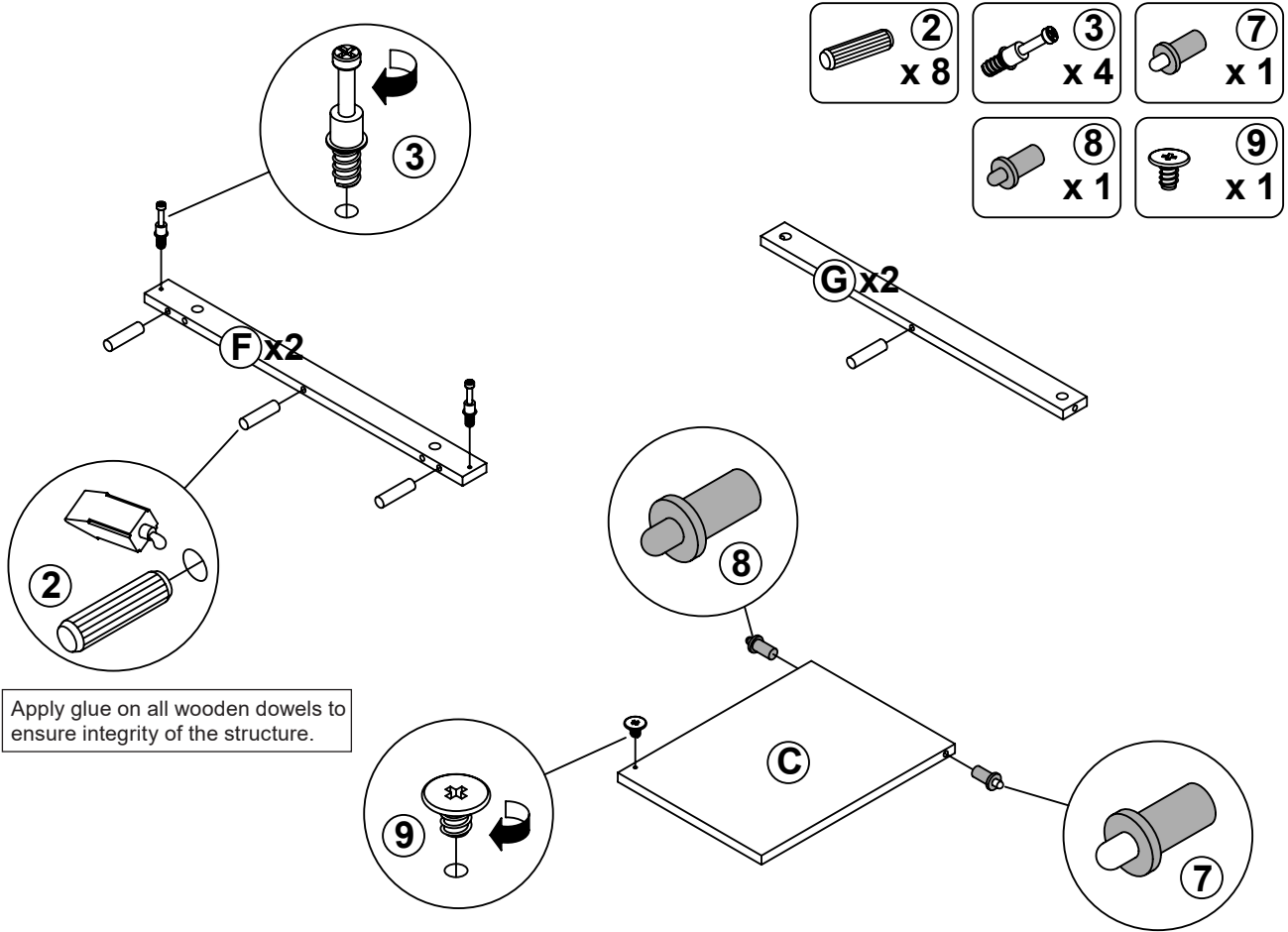


## STEP 3

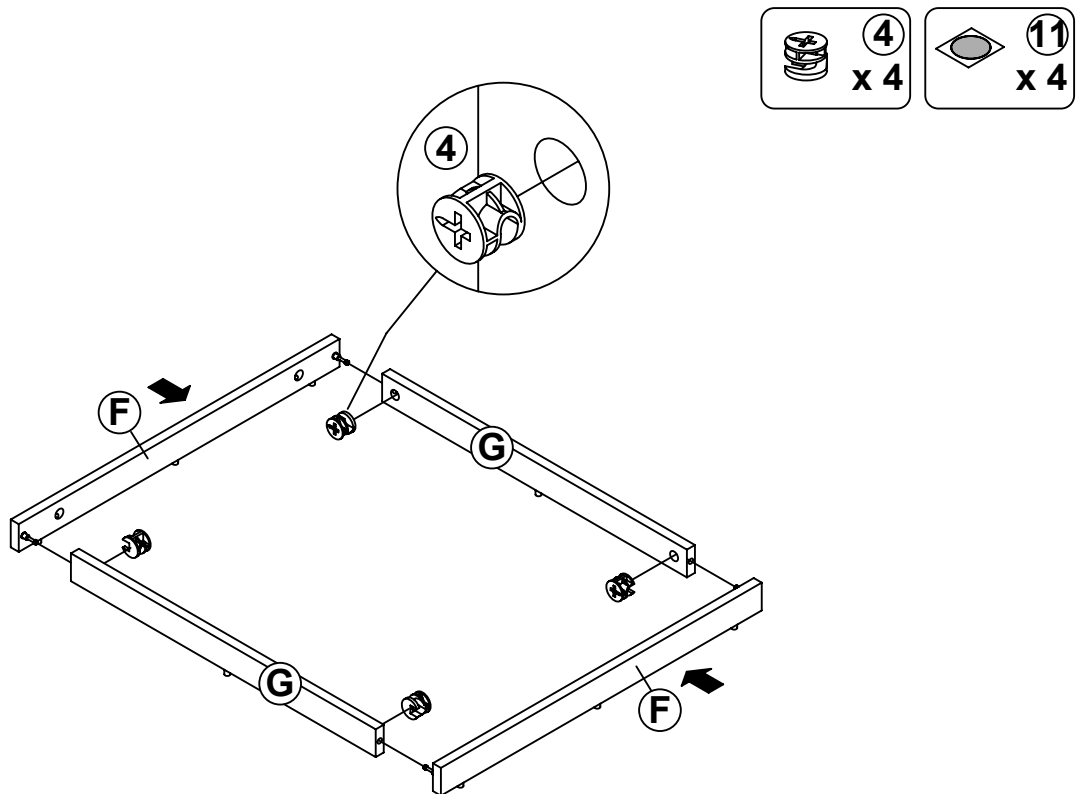




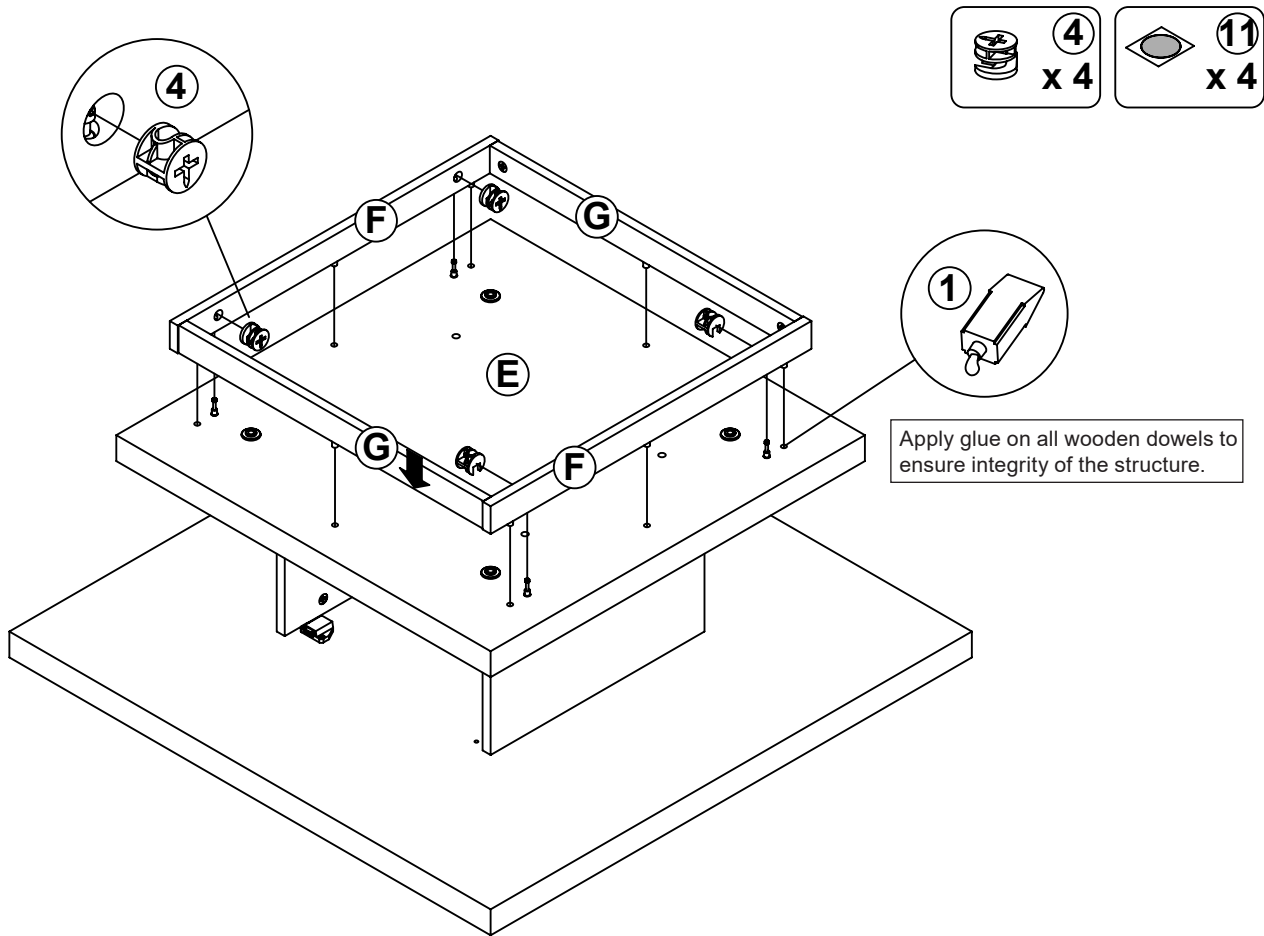
## STEP 6



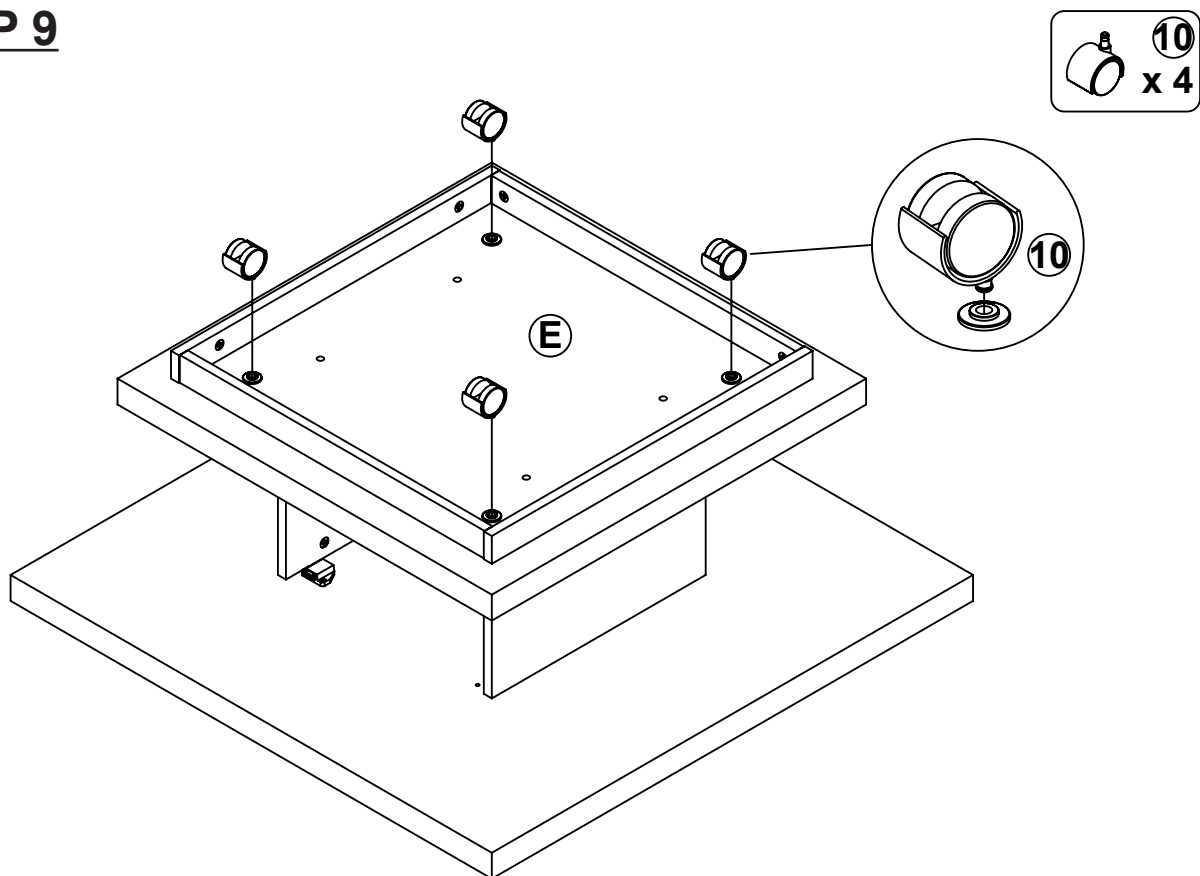
## STEP 7



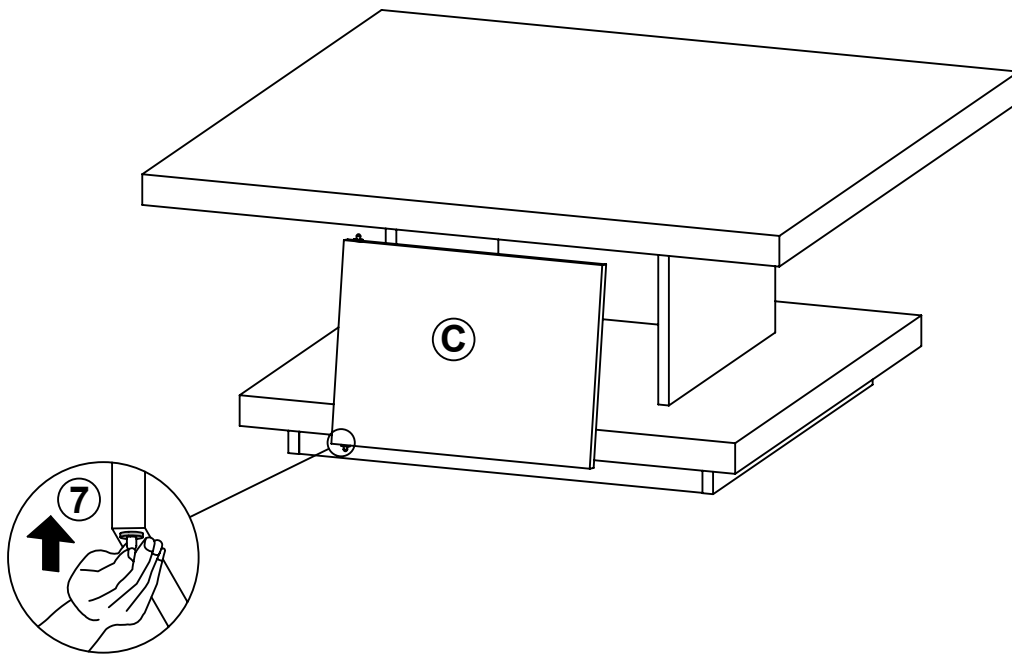
## STEP 8



## STEP 9

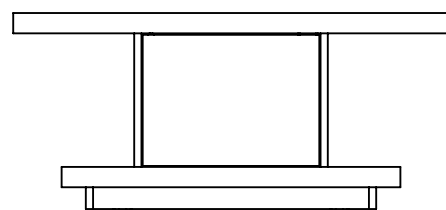
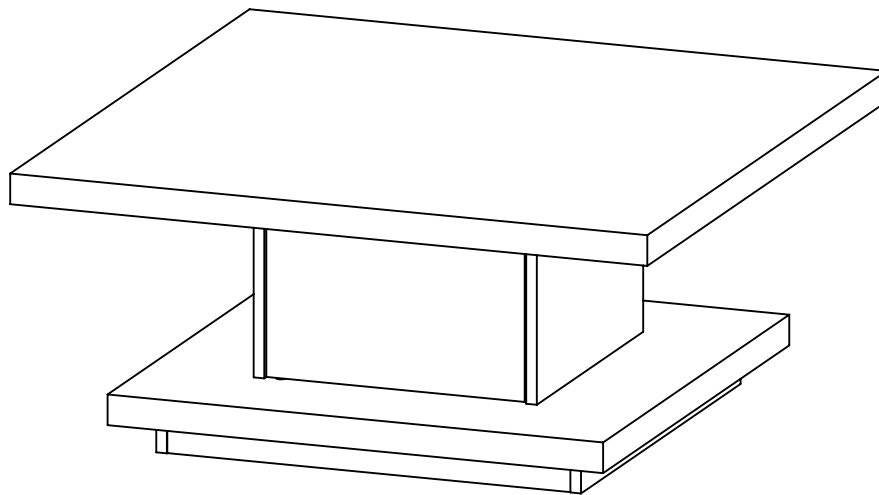


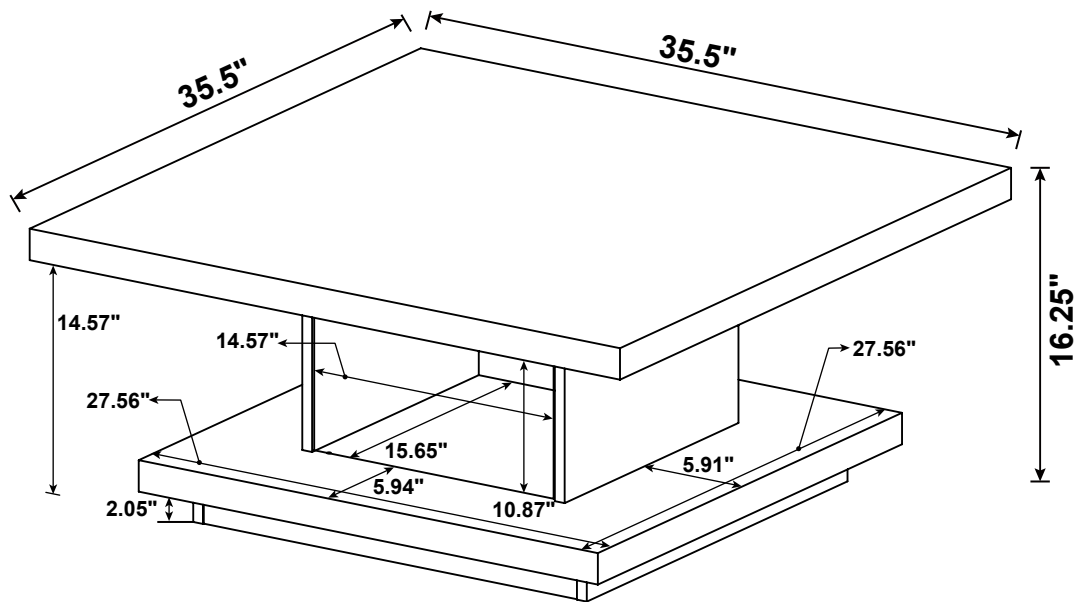
## **STEP 10**



---

## **STEP 11** **COMPLETE**





**Note :** Dimension tolerance  $\pm 5\%$