

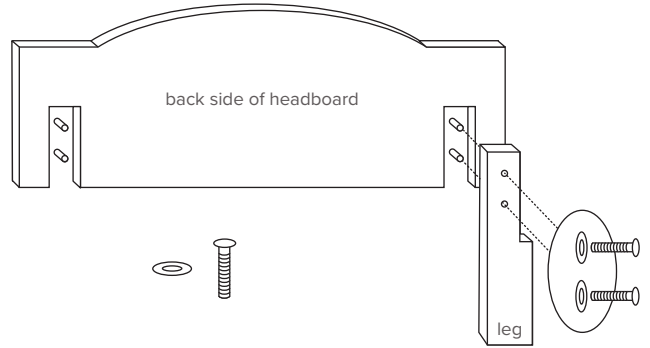
INSTRUCTIONS

PLEASE FOLLOW ALL INSTRUCTIONS IN THE ORDER STATED BELOW. YOU WILL NEED A PHILLIPS HEAD SCREWDRIVER.

HEADBOARD

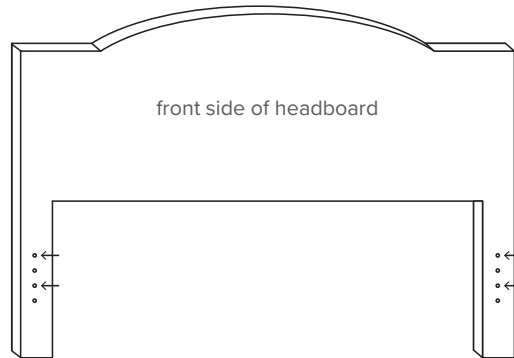
STEP 1

Assemble the legs to the headboard. Insert the wooden stem in the opening on the back of the headboard ensuring that the side of the leg is flush with the side of the headboard. Attach with 2 inch bolt and washer as shown.



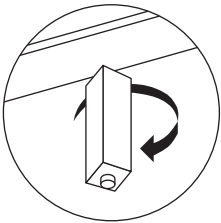
STEP 2

On the front side of the headboard use the first and third holes as shown. Insert the 3 1/2 inch bolt with a lock nut washer and regular washer loosely.



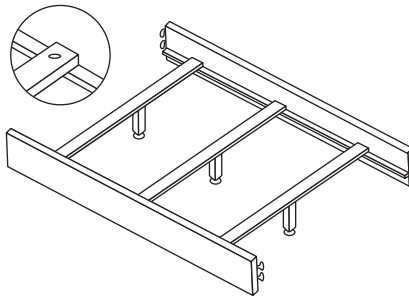
STEP 3

Attach the plastic support legs to the slats as shown.



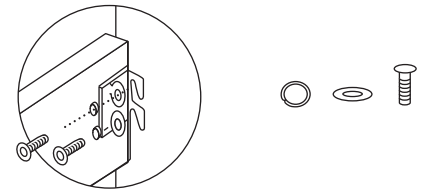
STEP 4

Attach the slats to the side rails by using one wood screw per slat as shown.



STEP 5

Assemble the side rails to the footboard panel with a 1 1/2 inch bolt, a lock nut washer and a regular washer as shown. Start the bolts without the bracket hooked over and then slide it over the bolts and tighten.



STEP 6

Attach the finished wooden legs to the footboard panel by screwing them in the holes provided.

STEP 7

Slide the brackets of the side rails onto the bolts in the headboard and tighten.