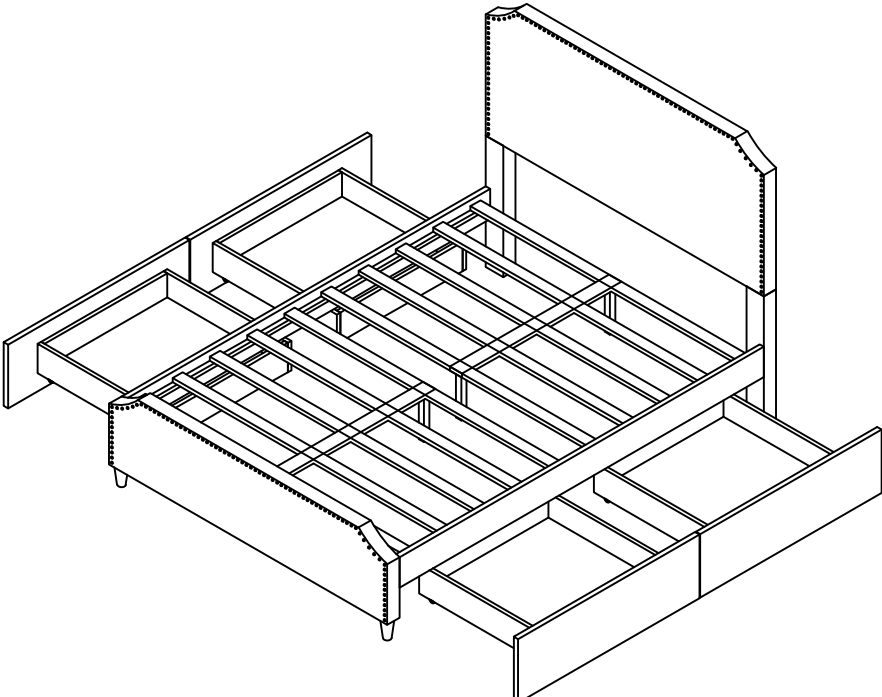
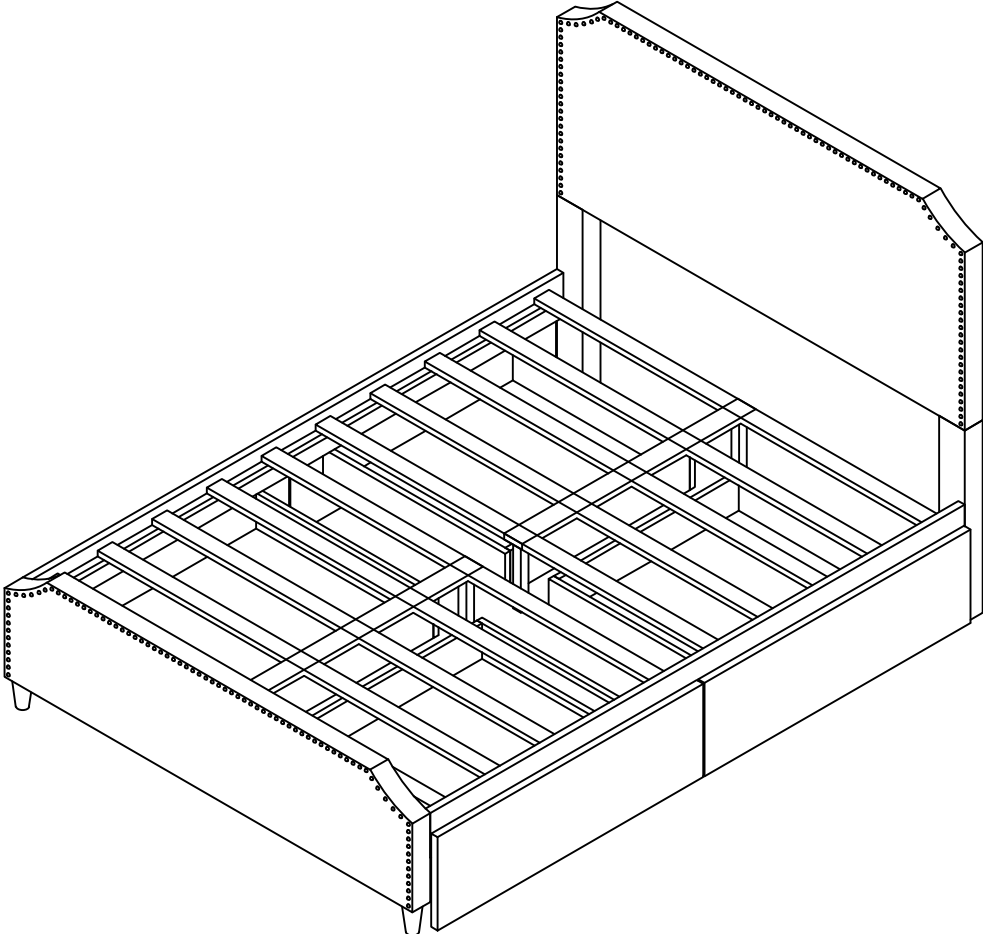
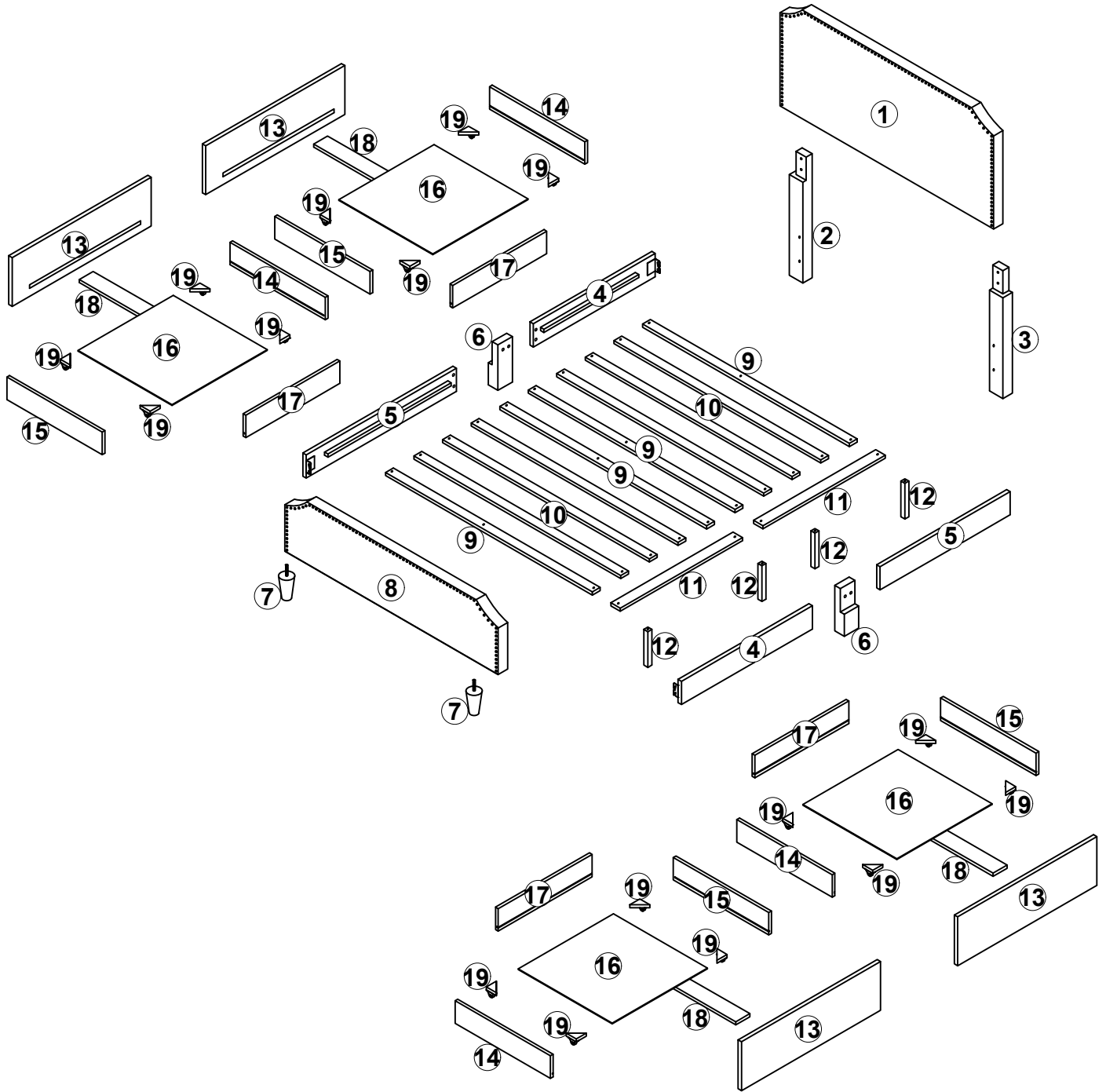


ASSEMBLY INSTRUCTION

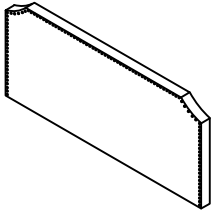


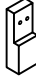

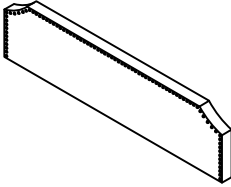
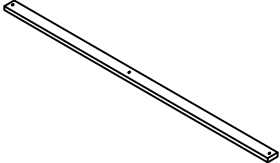
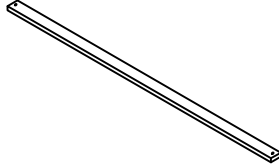


Detail View - QUEEN BED WITH 4 DRAWERS

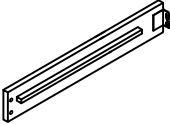
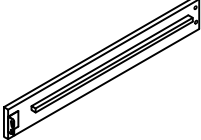
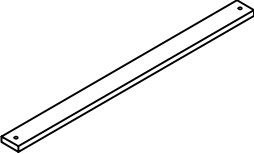

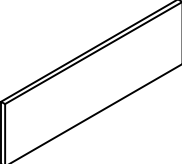
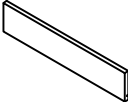

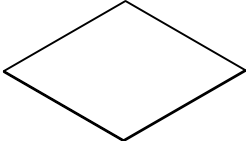


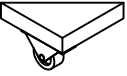


Identifying the Hardware - Identify the hardware using the illustrations below.


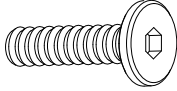
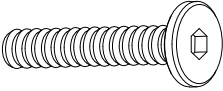


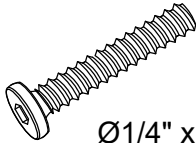
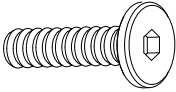
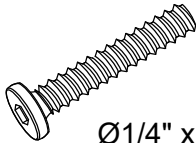
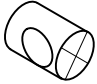


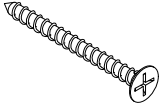
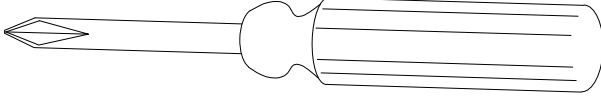
Part Lists:

1		Headboard-1pc
2		Headboard left leg -1pc
3		Headboard right leg-1pc
6		Side rail support leg - 2pcs
7		Footboard leg -2pcs
8		Footboard - 1pc
9		Bed slat 1 - 4pcs
10		Bed slat 2 -6pcs

Part Lists:

<p>4</p>  <p>Side rail 1 - 2pcs</p>	<p>5</p>  <p>Side rail 2 - 2pcs</p>
<p>11</p>  <p>Center support bar -2pcs</p>	<p>12</p>  <p>Center support leg - 4pcs</p>
<p>13</p>  <p>Drawer front -4pcs</p>	<p>14</p>  <p>Drawer side left -4pcs</p>
<p>15</p>  <p>Drawer side right -4pcs</p>	<p>16</p>  <p>Drawer bottom -4pcs</p>
<p>17</p>  <p>Drawer back -4pcs</p>	<p>18</p>  <p>Drawer bottom support bar -4pcs</p>
<p>19</p>  <p>Corner block -16pcs</p>	

HARDWARE LISTS:

A	 4mm Allen key (1pc)	B	 Ø5/16" x 20mm Hex-head bolt (8pcs)
C	 Ø5/16" x 50mm Hex-head bolt (4pcs)	D	 Ø5/16" Spring washer (12pcs)
E	 Ø5/16" Flat washer(12pcs)	F	 Ø1/4" x 45mm Hex-head bolt (4pcs)
G	 Ø1/4" x 30mm Hex-head bolt (4pcs)	H	 Ø1/4" x 50mm Hex-head bolt (16pcs)
I	 Ø1/4" Barrel nut (16pcs)	J	 Ø1/4" Spring washer (24pcs)
K	 Ø1/4" Flat washer(24pcs)	L	 Ø4 x 30mm Wood screw (68pcs)
			
ASSEMBLY TOOLS REQUIRED (NOT INCLUDED)			



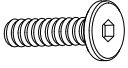
Read this instruction carefully. See hardware and furniture part list for guidance. Be sure all parts are complete, before you assemble. Place all wooden furniture parts on a clean and flat soft surface to prevent from being scratched. Follow the figure to start assembling.

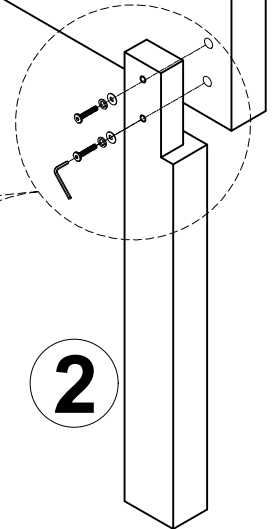
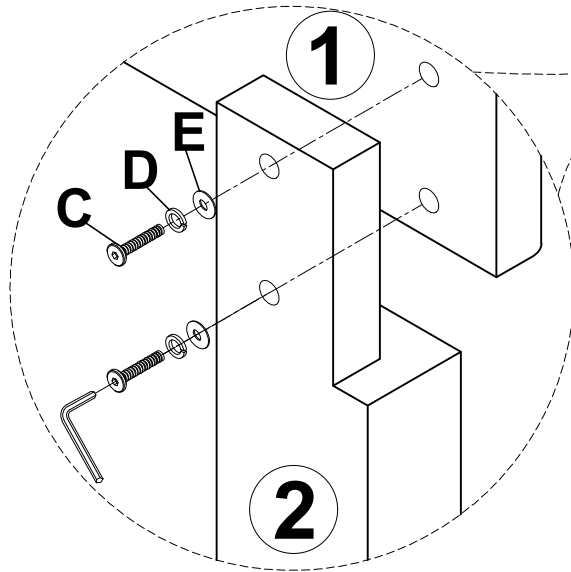
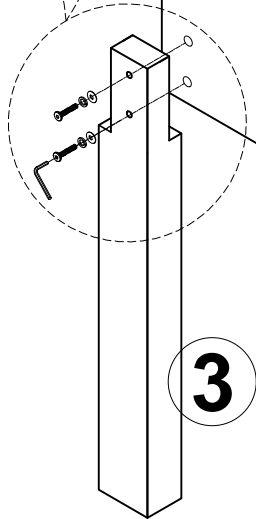
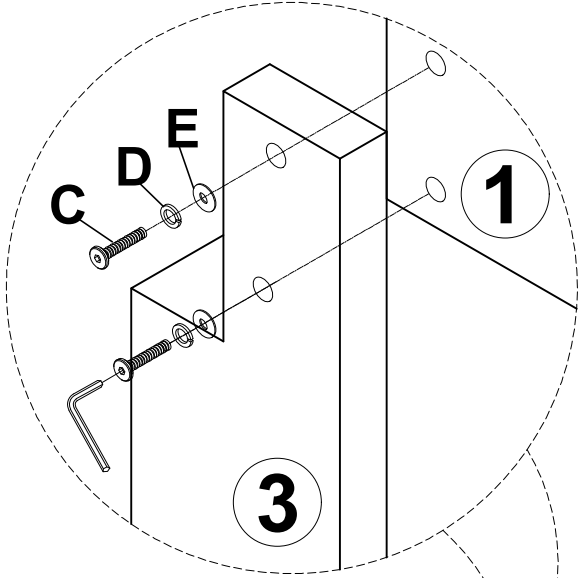
CAUTIONS :

1. Do not FULLY - TIGHTEN the nut or nut bolt until all nut or bolt is ready assembled.
2. Do not OVER - TIGHTEN the nut or bolt to avoid causing damages to the thread.
3. Keep all hardware parts out of reach of children.

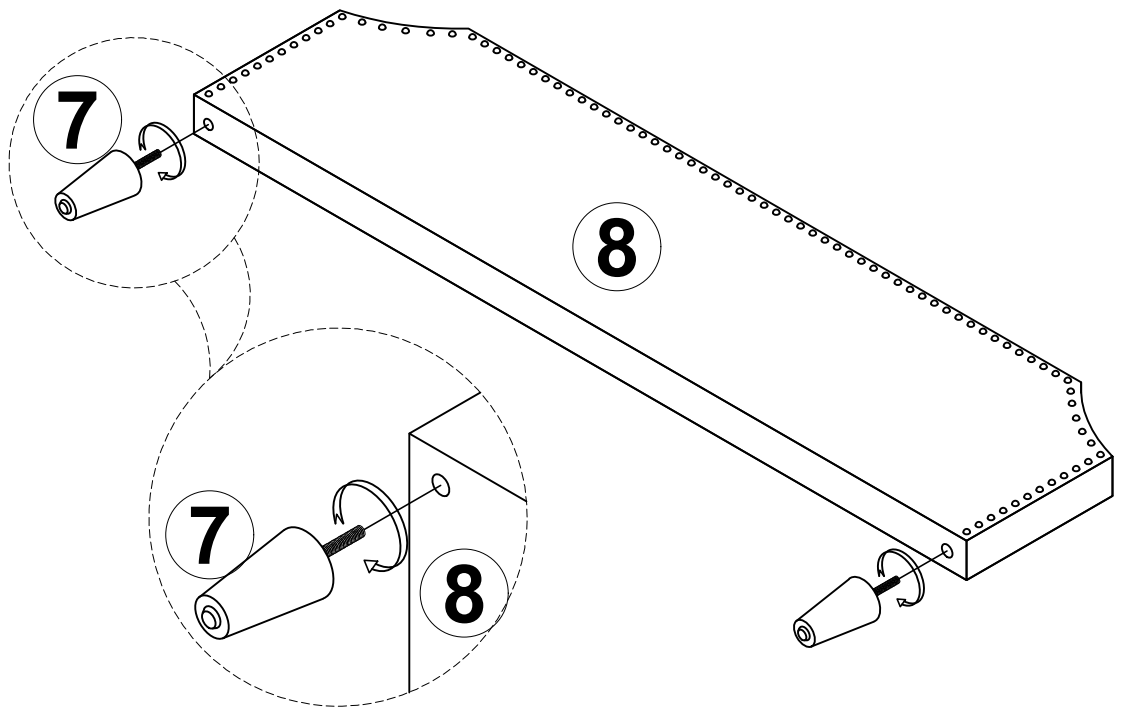
NOTE : THE LIST AND QUANTITY SHOWN ARE FOR 1 UNIT ASSEMBLY.

STEP 1



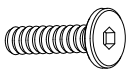
E		D		C	
4PCS		4PCS		4PCS	

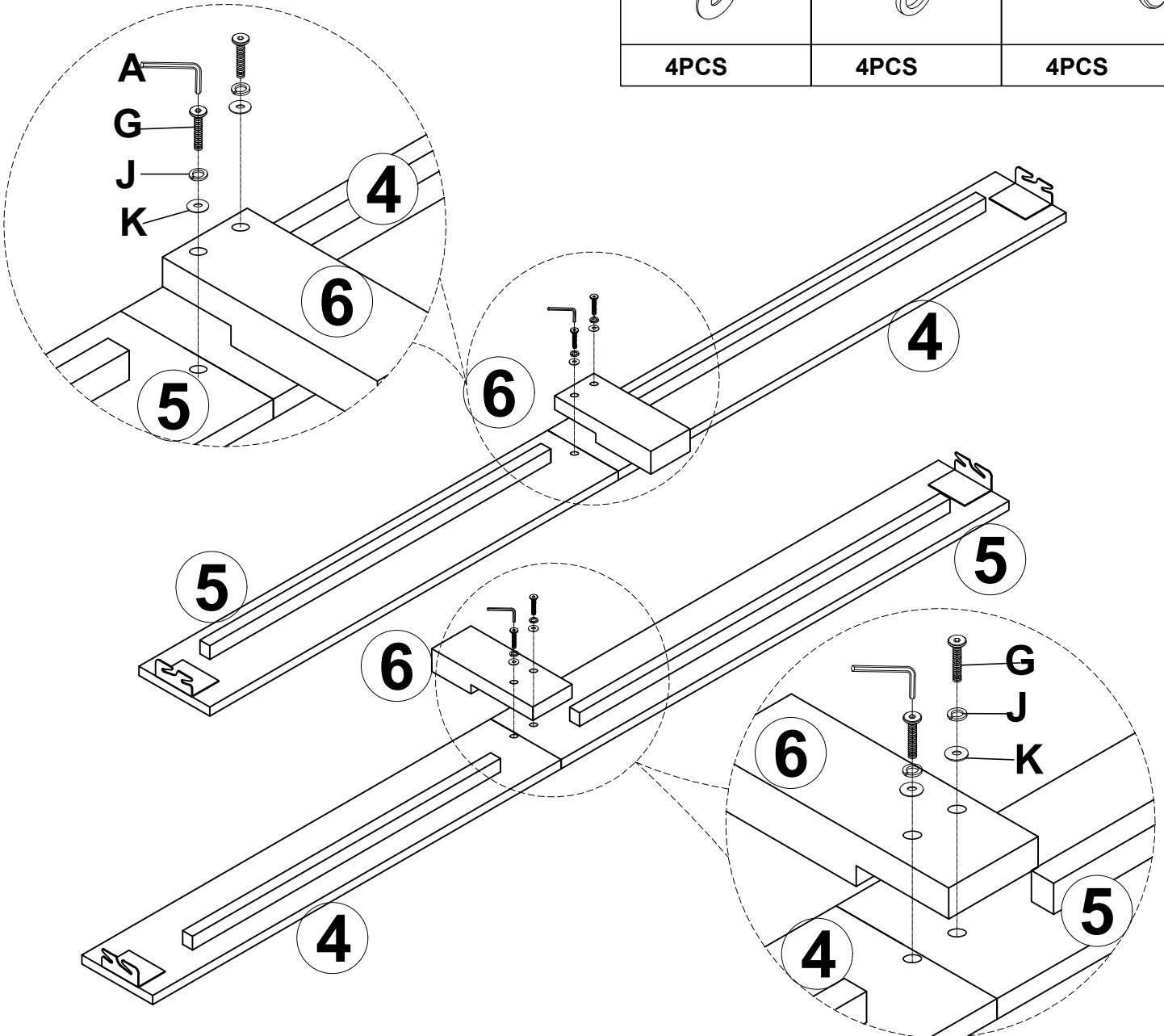


STEP 2



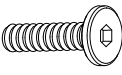


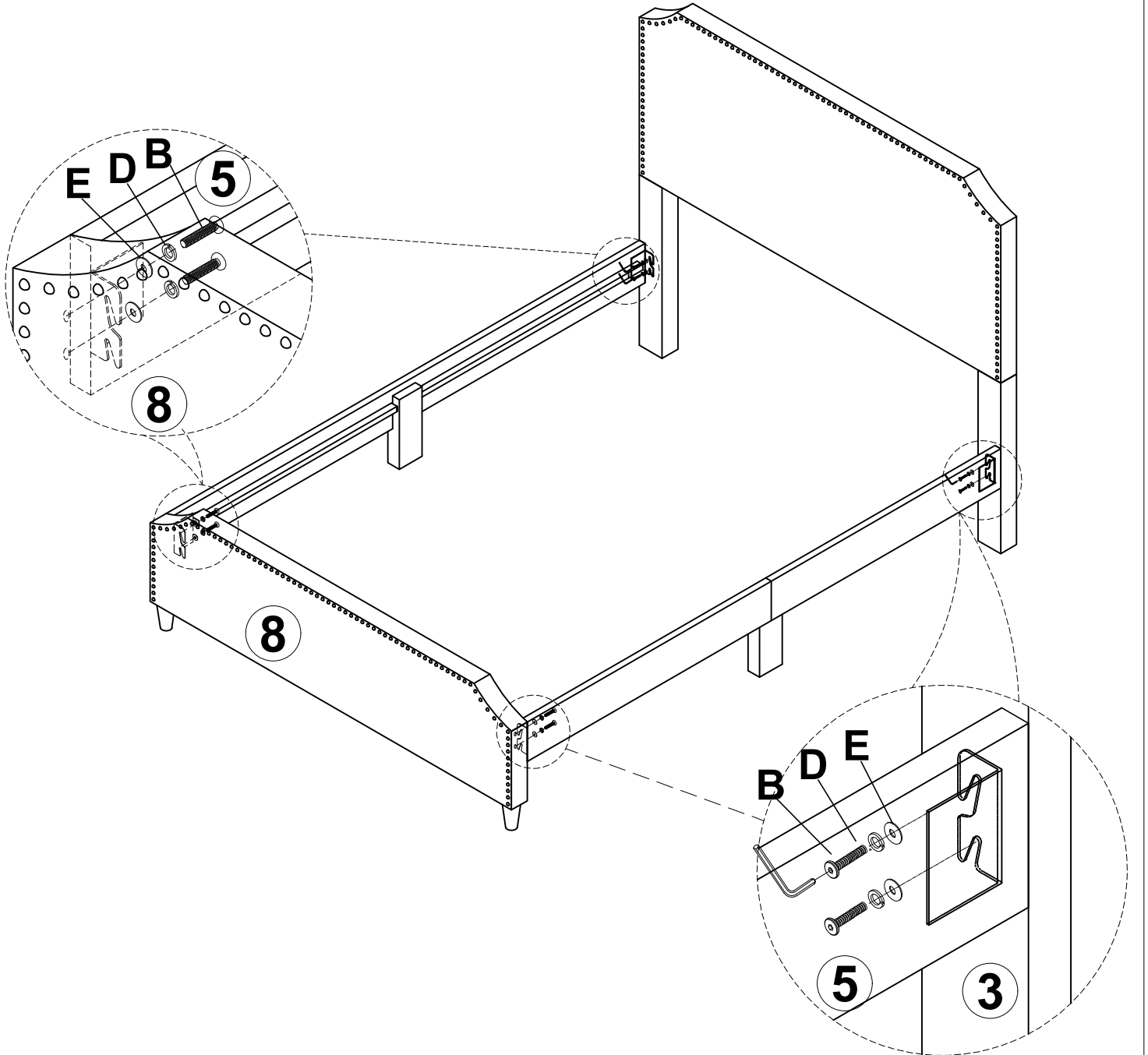
STEP 3

K		J		G	
4PCS		4PCS		4PCS	



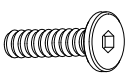


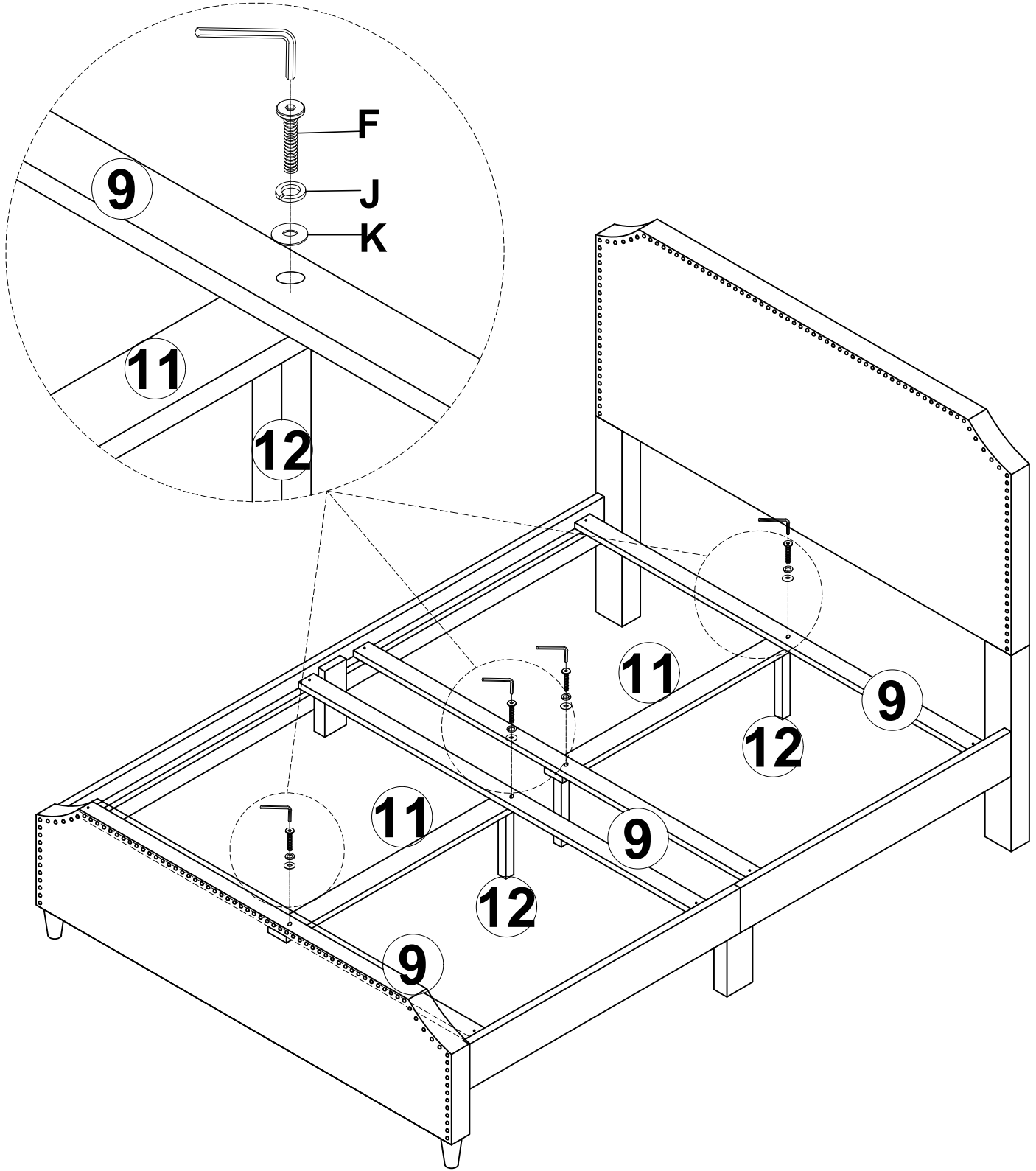
STEP 4

E 	D 	B 
8PCS	8PCS	8PCS



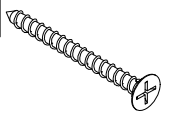
STEP 5

K 	J 	F 
4PCS	4PCS	4PCS

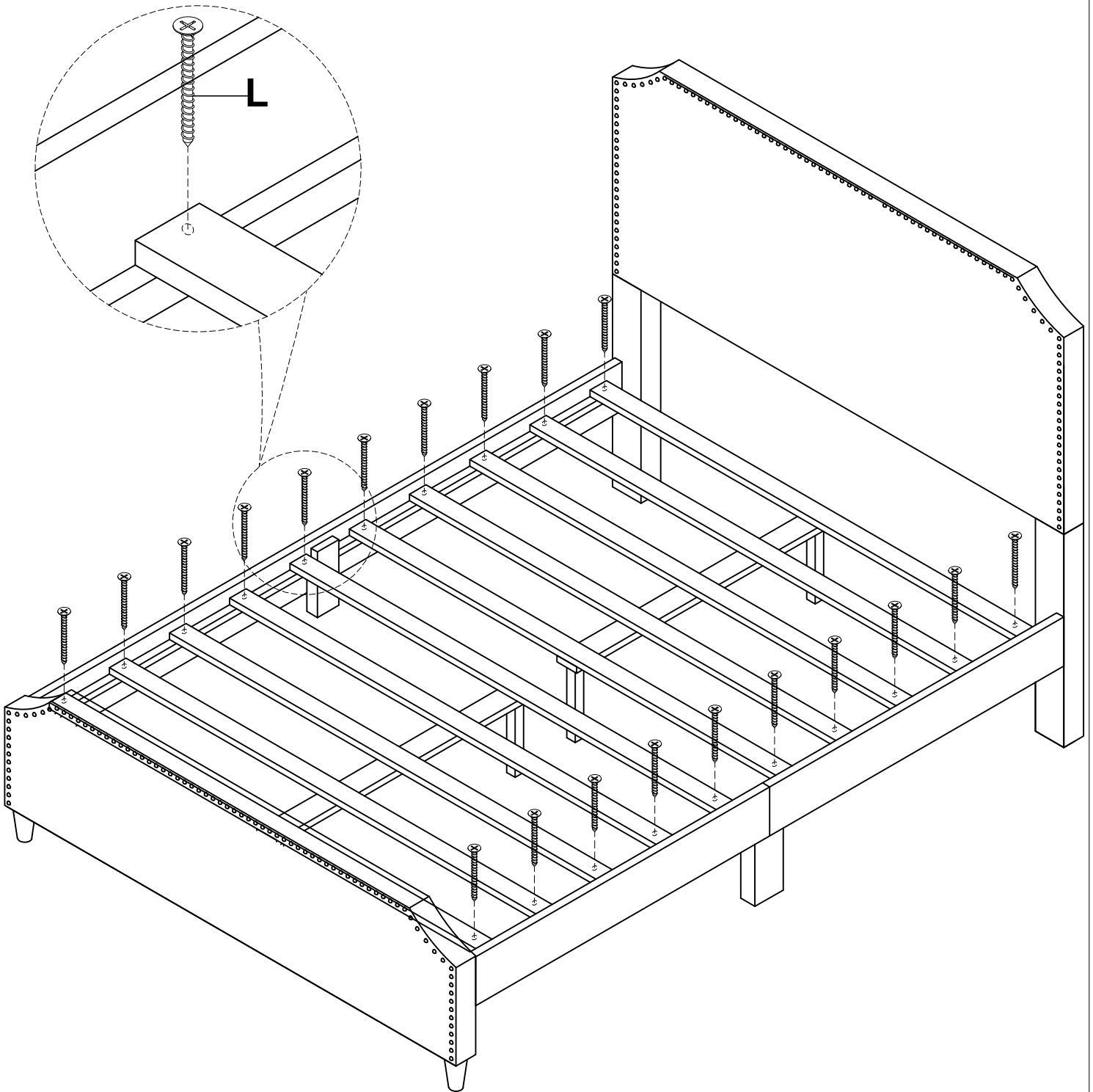


STEP 6

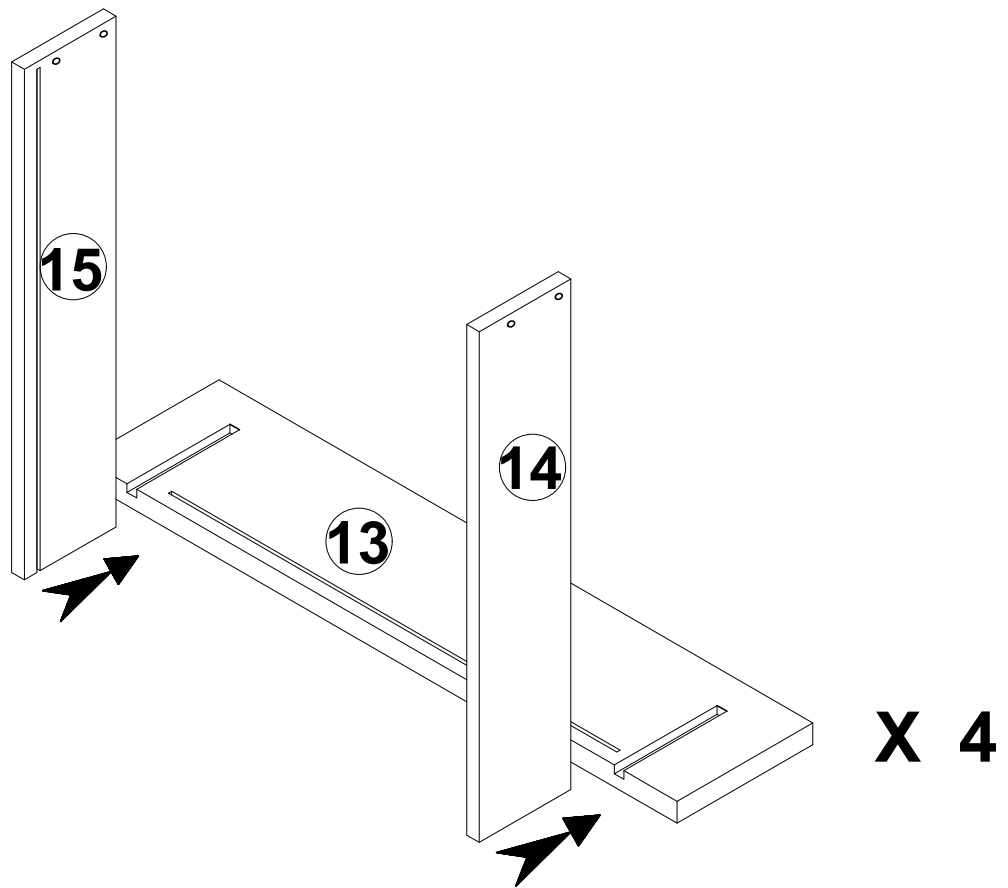
L



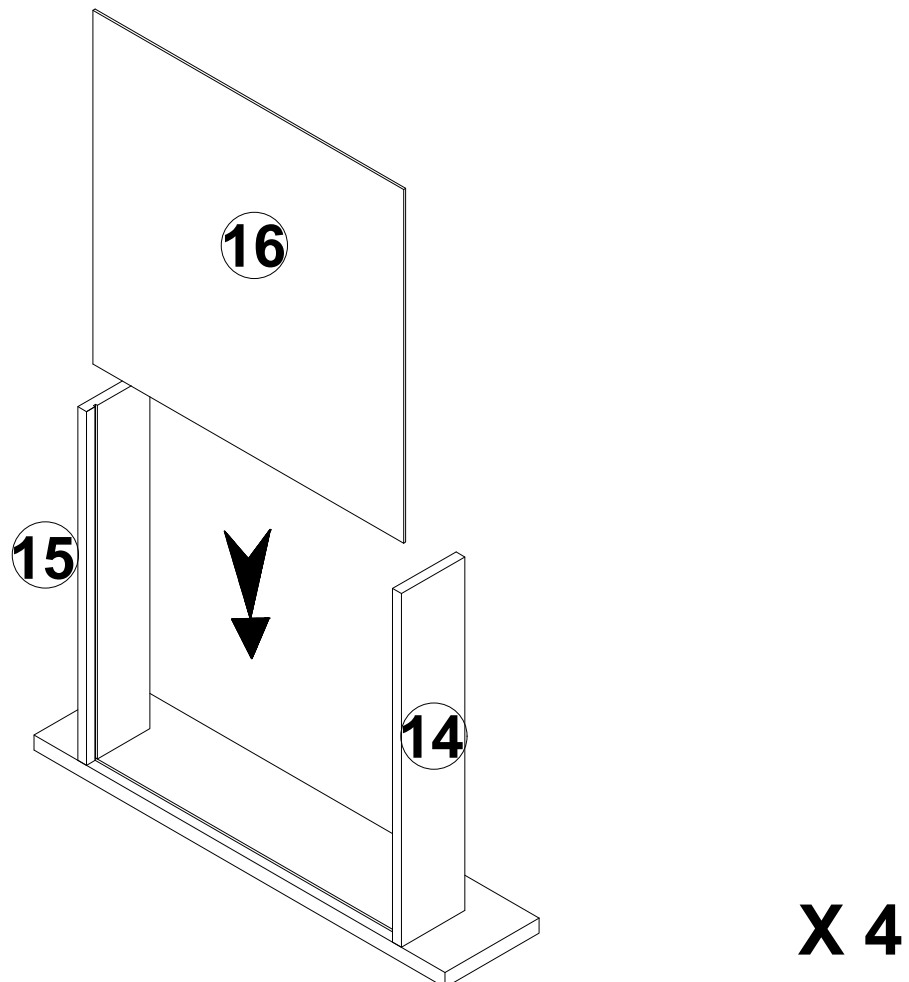
20PCS




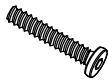
STEP 7

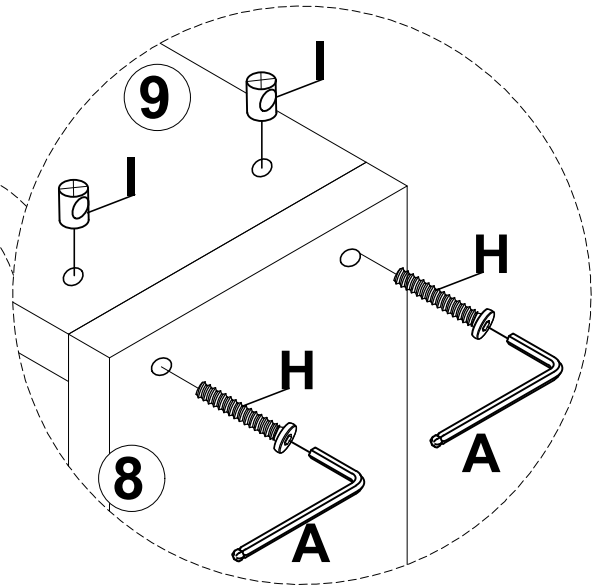
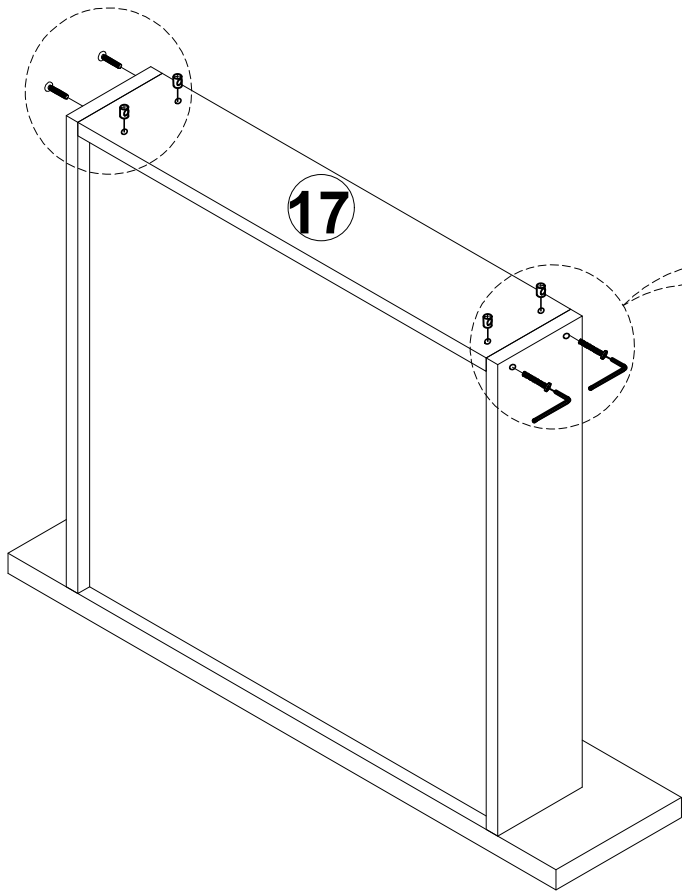


STEP 8



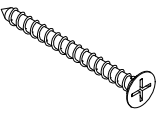
STEP 9

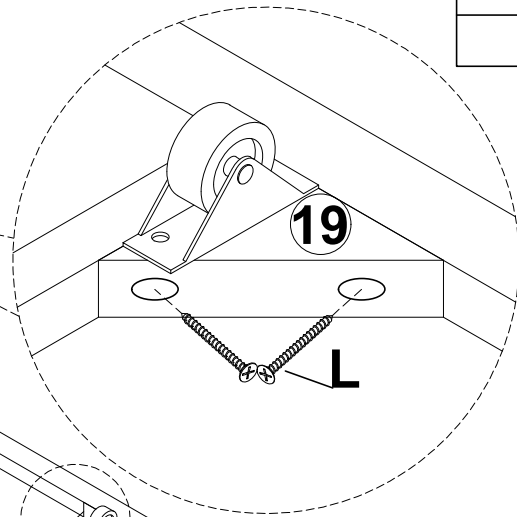
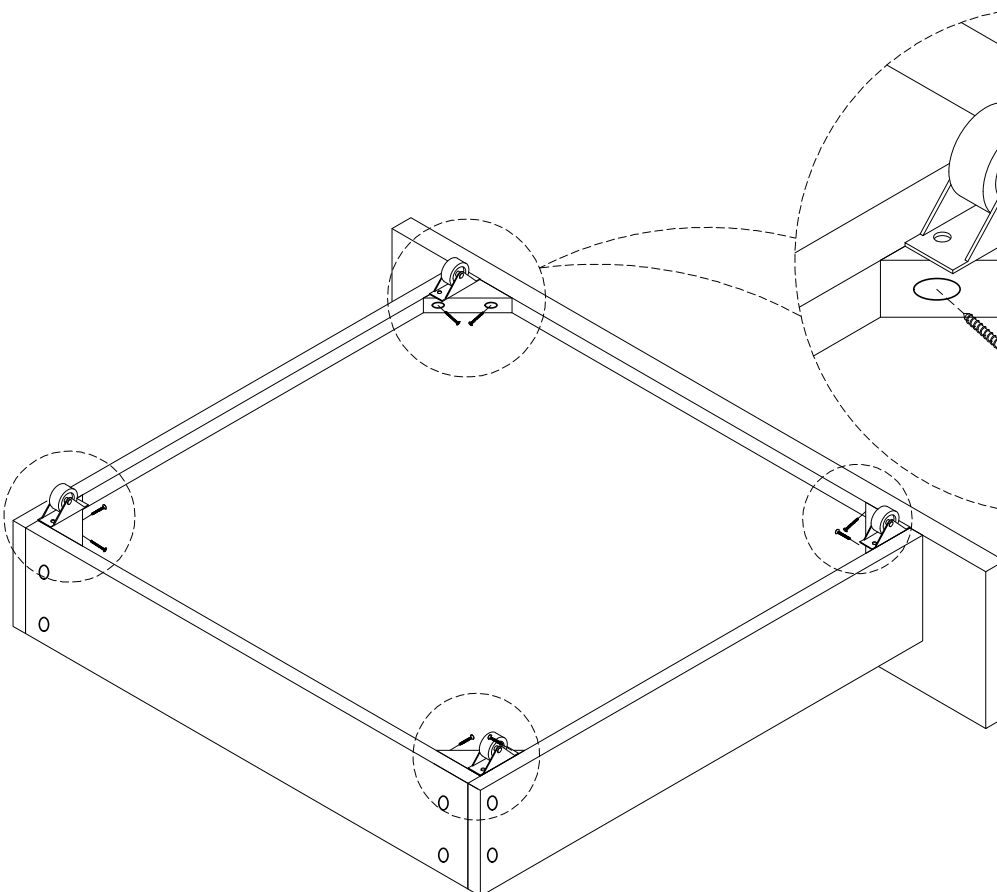
I		H	
16PCS		16PCS	



X 4

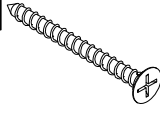
STEP 10

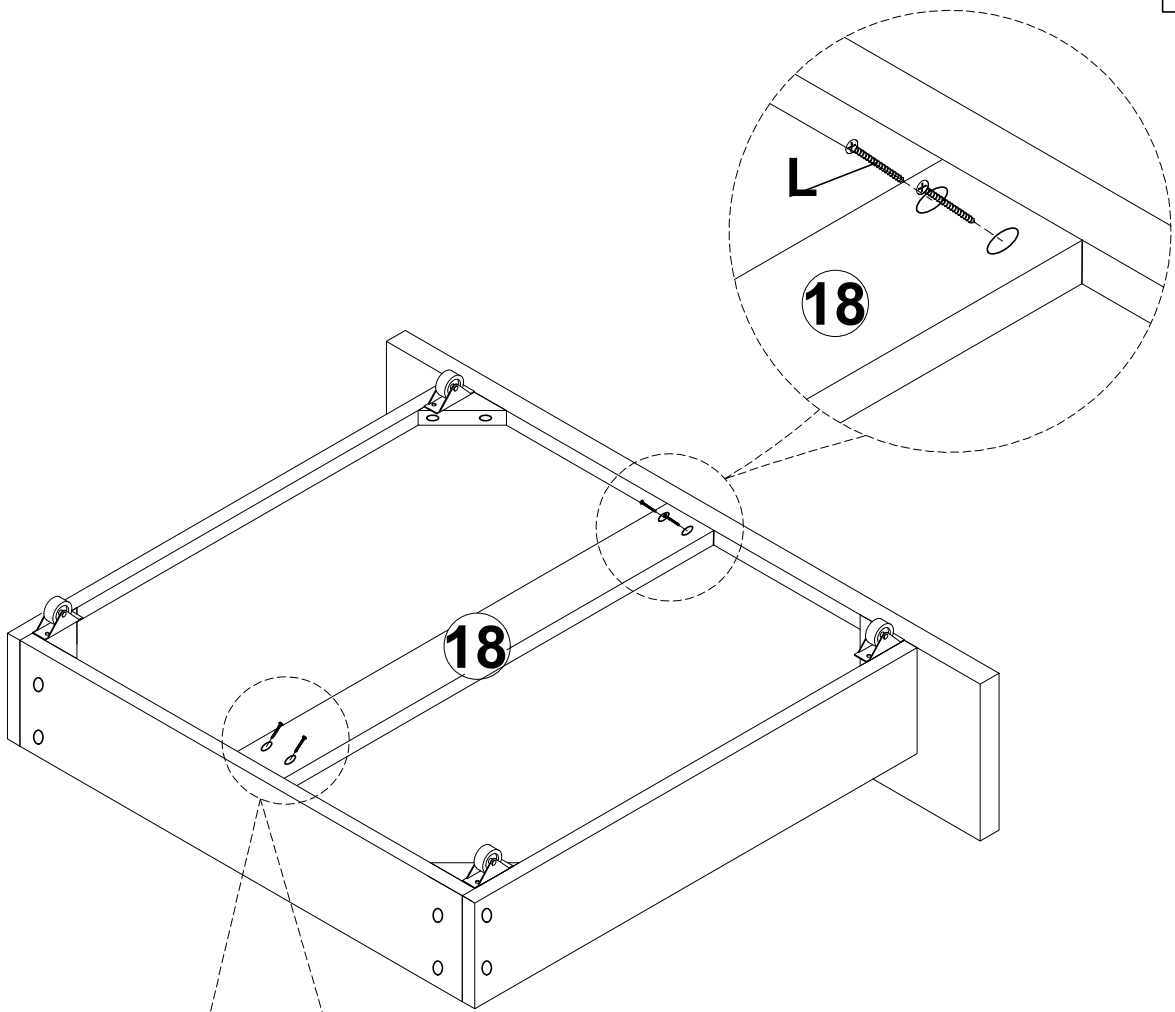
L	
32PCS	



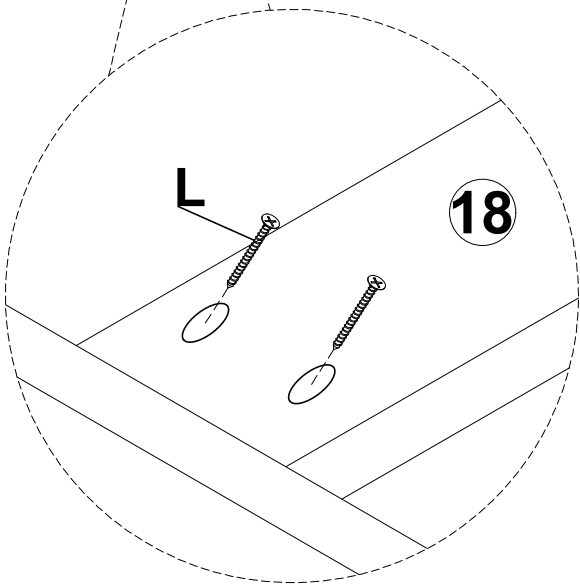
X 4

STEP 11

L	
16PCS	



X 4



STEP 12

