

PAULINA

Canopy, Track SW WD E26

WEPLIGHT
COLLECTION



FEATURES

- Designed, handcrafted, and painted by Master Artisans
- Made to order, eliminating waste
- 6 wood stains + 11 colors to mix & match
- Traditional E26 socket or range of LED options. 3000K,3500K, & Warm Dim 3000K, dim to 1800K

HOUSING

- Composed of recycled, locally sourced reconstructed wood veneer
- USA factory assembled shades with some exceptions due to size
- Due to hand-crafted nature, colors may vary from fixture to fixture and from photo

MOUNTING

- Bayonet with 108" cord, field adjustable
- Optional track mounting options: Global Trac Systems, GEO track, ECO track / HALO®track, and Zonyx track.
- Paulina 50: 2.97 lbs.
- Paulina 60: 3.96 lbs.
- Paulina 80: 6.04 lbs.

LISTING

- ULus listed to UL1598 (suitable for indoor use and dry locations only)
- cUL listed to CSA C22.2 #250.0

CCT AT LIGHT LEVEL (%LF) FOR WARM DIM LED

| %LF | CCT |
|------|------|
| 100% | 3000 |
| 50% | 2800 |
| 25% | 2300 |
| 10% | 1900 |
| 5% | 1800 |

| PROJECT INFORMATION | | |
|---------------------|--|------|
| JOB NAME | | TYPE |
| ORDERING CODE | | |

ORDERING CODE

| | | |
|-------------------|--|---|
| SERIES | WEP | wood shade |
| TYPE | PAU | Paulina |
| SIZE | 50 60 80 ¹ | 50 pendant, 1 x light source 60 pendant, 1 x light source 80 pendant, 1 x light source |
| LIGHT SOURCE | LE26 ² LLED | E26 socket LED, 1000 lm |
| CCT | 30K 35K 3018 | 3000K, static white LED 3500K, static white LED 3000K, dim to 1800K, warm dim LED Not applicable to LE26 option. Do not include in LE26 ordering code. |
| CRI | 90 ³ 95 ⁴ | 90 CRI, static white 95 CRI, warm dim Not applicable to LE26 option. Do not include in LE26 ordering code. |
| MOUNTING OPTION | PBK PWH PMC ECOHBK ECOHWH ECOHMC ECOJBK ⁵ ECOJWH ⁵ ECOJMC ⁵ GEOBK GEOWH GEOHC ZONMC | canopy, black with black cable canopy, white with white cable canopy, matte chrome with black cable ECO/HALO black with black cable ECO/HALO white with white cable ECO/HALO matte chrome with black cable JUNO black with black cable JUNO white with white cable JUNO matte chrome with black cable GEO black with black cable GEO white with white cable GEO matte chrome with black cable Zonyx matte chrome with black cable |
| OUTER SHADE COLOR | ASH BCH BLU EBY GRN GYO OCH PGR PTB RED ROS TRC WHT WNG YLW LPT VLT | ash beech blue ebony green grey oak ocher pale green petiribi red rose teracotta white wenge yellow light petrol violet |
| INNER SHADE COLOR | ASH BCH BLU EBY GRN GYO OCH PGR PTB RED ROS TRC WHT WNG YLW LPT VLT | ash beech blue ebony green grey oak ocher pale green petiribi red rose teracotta white wenge yellow light petrol violet |

ORDERING CODE

Follow the steps to specify your fixture, example:

WEP - PAU - 60 - LLED - 35K - 90 - GEOBK - PTB - PTB

NOTES

1. 80 available in PBK and PWH mounting only.
2. 15W E26 socket available, use base option code LE26-15.
3. 90 CRI for static white only.
4. 95 CRI for warm dimming only.
5. Not available with LLED.

COLOR OPTIONS



PROJECT INFORMATION

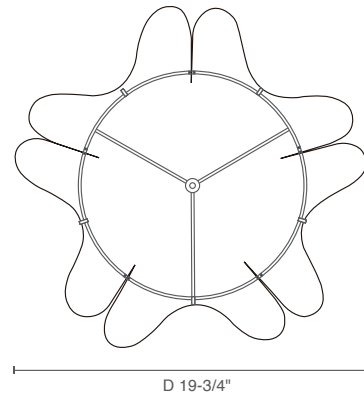
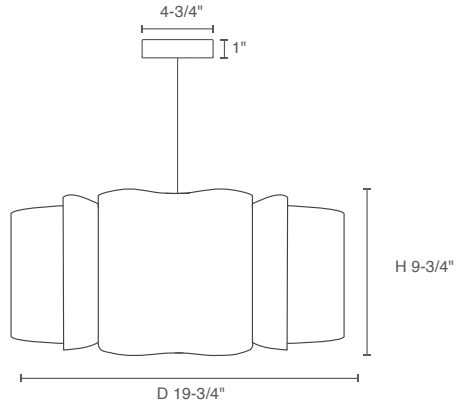
| | | | |
|---------------|--|------|--|
| JOB NAME | | TYPE | |
| ORDERING CODE | | | |

LIGHT SOURCE

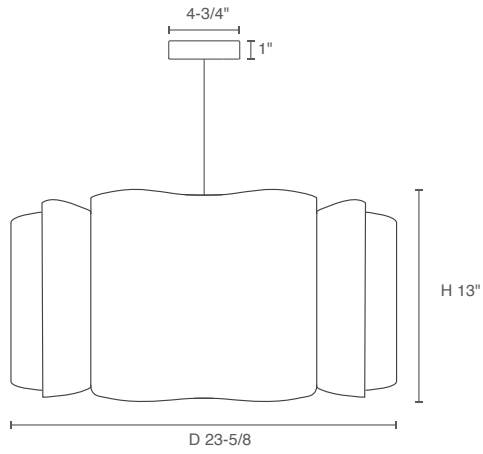
| Light Source | LLED - Static White LED | LLED - Warm Dim LED | LE26 - E26 Socket |
|------------------------|--|--|---|
| Performance | | | |
| LED | Cree CMT 1420 | Luminus CDM-9 | Lamp Dependant |
| Lumens | 1150lm | 850lm | |
| CCT | 3000K or 3500K | 3000K to 1800K | |
| SDCM | 2-Step MacAdam Ellipse | 3-Step MacAdam Ellipse | |
| CRI | >90 | >95 | |
| Lumen Maintenance | L ₉₀ > 41,500 hours | L ₇₀ > 54,000 hours | |
| Technical Specs | | | |
| Socket Listing | Integrated LED module ETLus Listed to UL1598, and UL1574 (Suitable for dry locations only) cETL Listed to CSA C22.2 #250.0 and #9.0 | Integrated LED module ETLus Listed to UL1598, and UL1574 (Suitable for dry locations only) cETL Listed to CSA C22.2 #250.0 and #9.0 | Medium E26 base socket ETLus Listed to UL1598, and UL1574 (Suitable for dry locations only) cETL Listed to CSA C22.2 #250.0 and #9.0 |
| Mounting | | | |
| Canopy | 120-277Vac, 50/60Hz input 14.3W, 14.9VA Triac-mode dimming (Triac, ELV and 0-10V) | 120-277Vac, 50/60Hz input 15.6W, 16.1VA Triac-mode dimming (Triac, ELV and 0-10V) | 120Vac input 100W, 100VA (max 100W lamp) Dimmable (with compatible lamp) |
| Line Voltage Track | 120Vac, 50/60Hz input 14.3W, 14.9VA Triac and ELV phase dimming Connects to line voltage adapter (ECOH, GEO, Zonyx) | 120Vac, 50/60Hz input 15.6W, 16.1VA Triac and ELV phase dimming Connects to line voltage adapter (ECOH, GEO, Zonyx) | 120Vac input 100W, 100VA (max 100W lamp) Dimmable (with compatible lamp) Connects to line voltage adapter (ECOH, ECOJ, GEO, Zonyx) |
| Warranty | | | |
| | 5 year limited fixture warranty | 5 year limited fixture warranty | 1 year limited fixture warranty |

| PROJECT INFORMATION | | |
|---------------------|--|------|
| JOB NAME | | TYPE |
| ORDERING CODE | | |

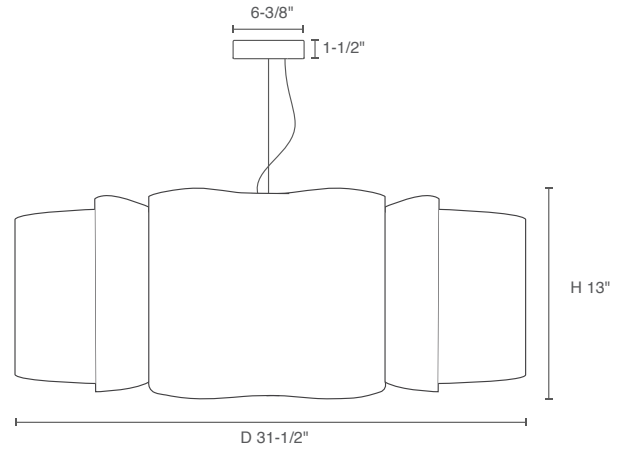
MOUNTING OPTIONS



PAULINA 50



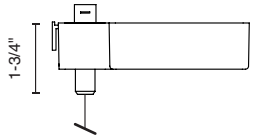
PAULINA 60



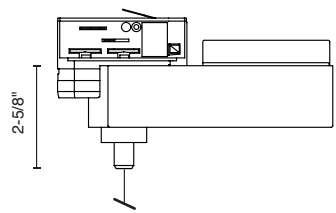
PAULINA 80

| PROJECT INFORMATION | | |
|---------------------|--|------|
| JOB NAME | | TYPE |
| ORDERING CODE | | |

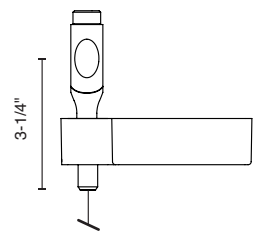
MOUNTING OPTIONS



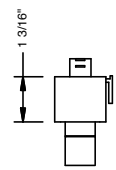
LLED-ECOH



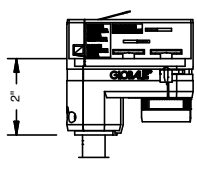
LLED-GEO



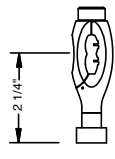
LLED-ZONMC



LE26-ECOH/ECOJ



LE26-GEO



LE26-ZONYX