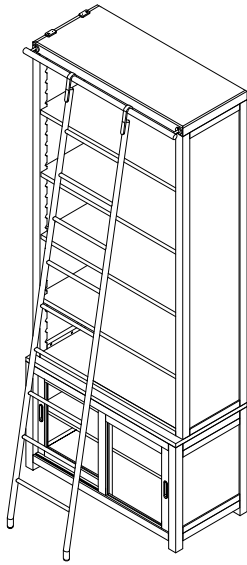
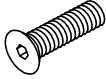
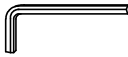

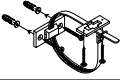
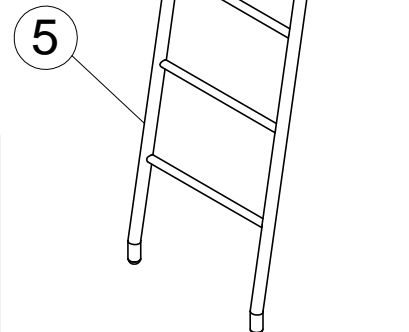
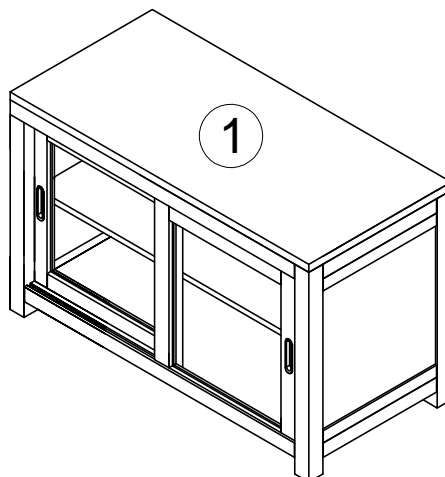
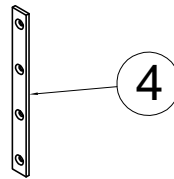
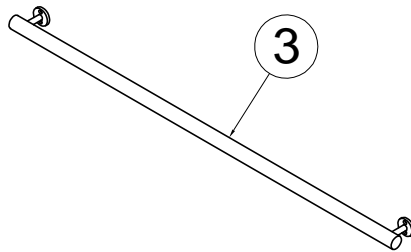
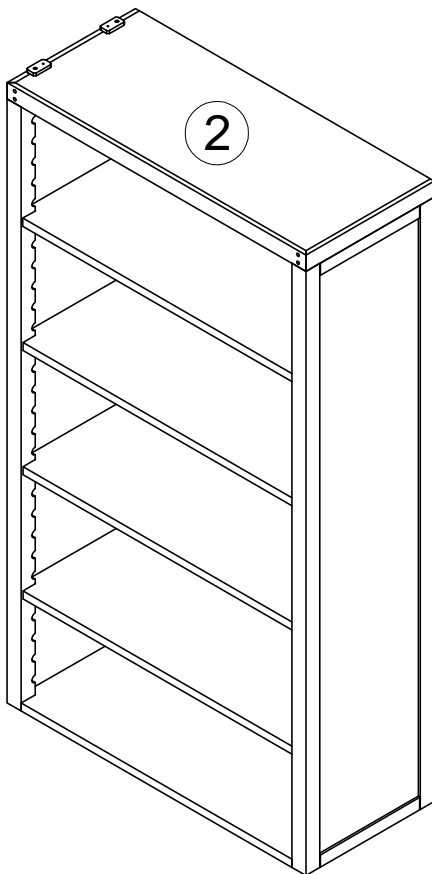


# ASSEMBLY INSTRUCTION FOR BOOKCASE

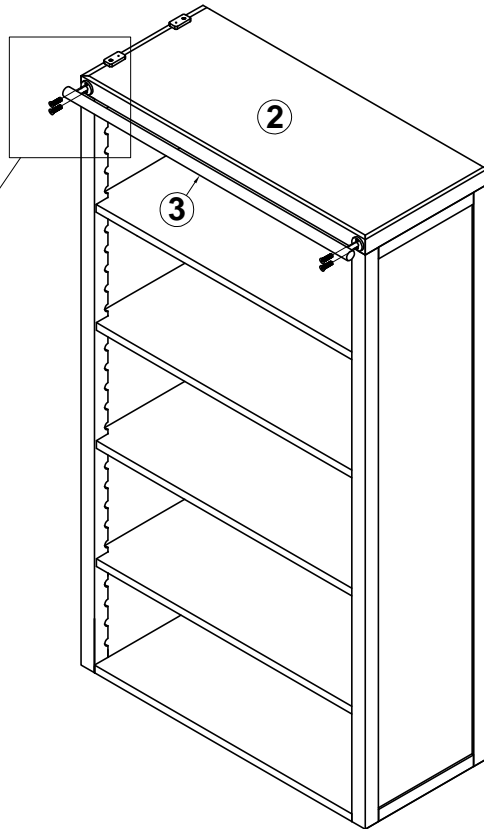
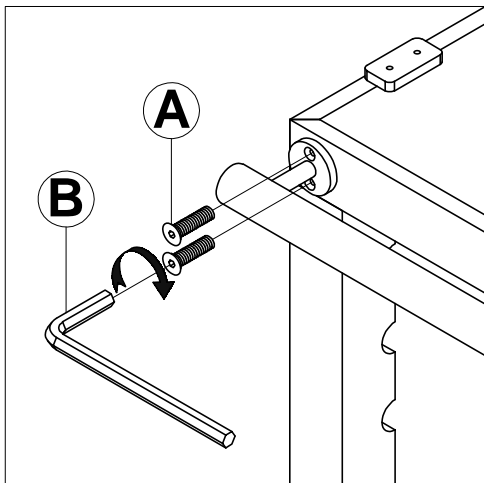


## Hardware List

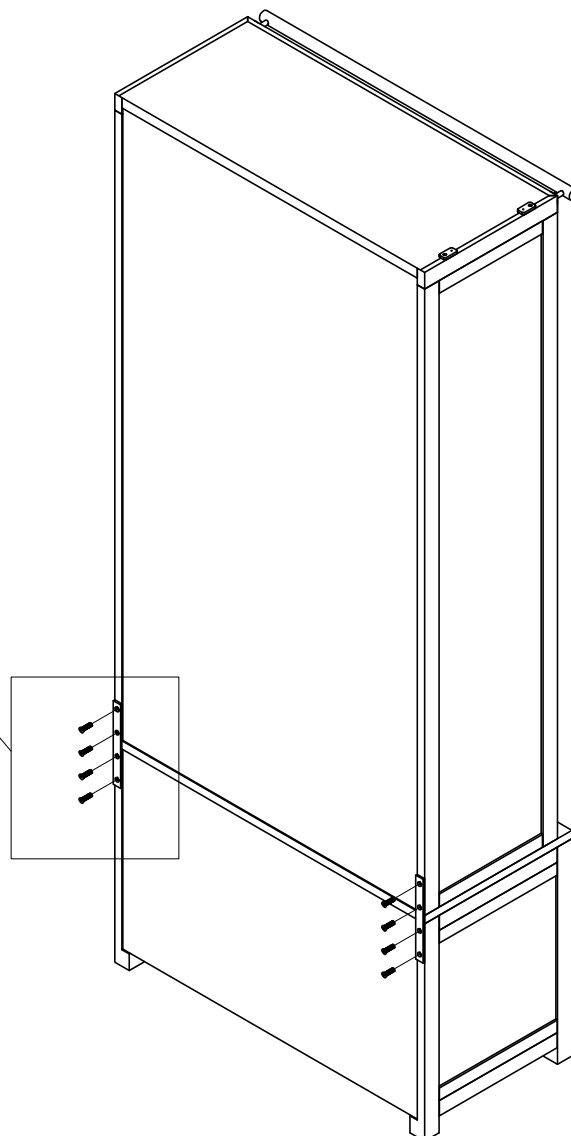
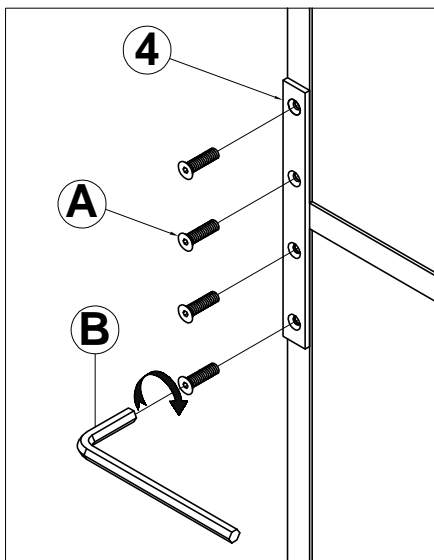
<b>A</b>		Bolt	6x20mm	12
<b>B</b>		Allen Key	4mm	1
<b>C</b>		Screw	4x30mm	2
<b>D</b>		Tipping Hardware		1 set



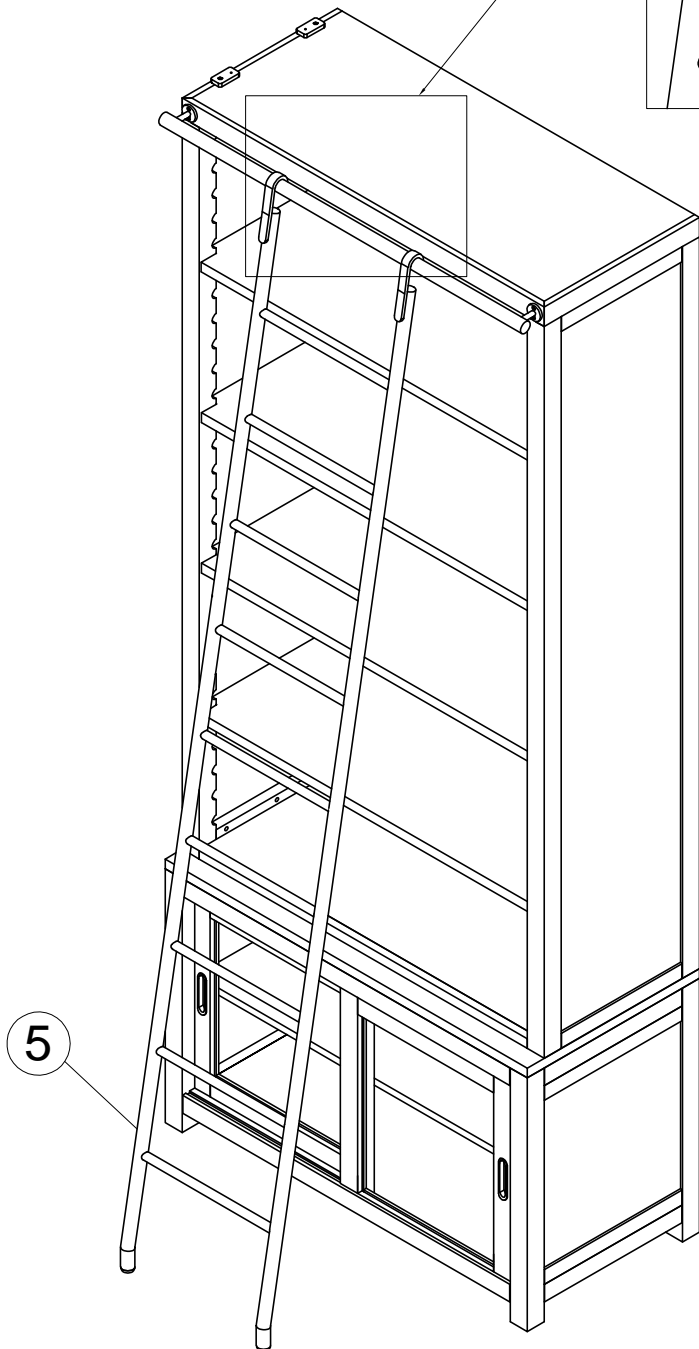
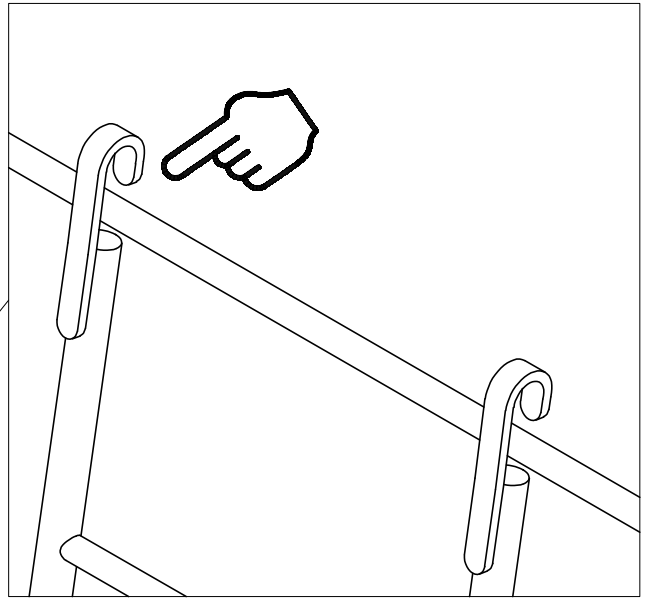
### Step 1



### Step 2



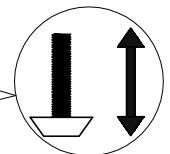
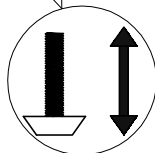
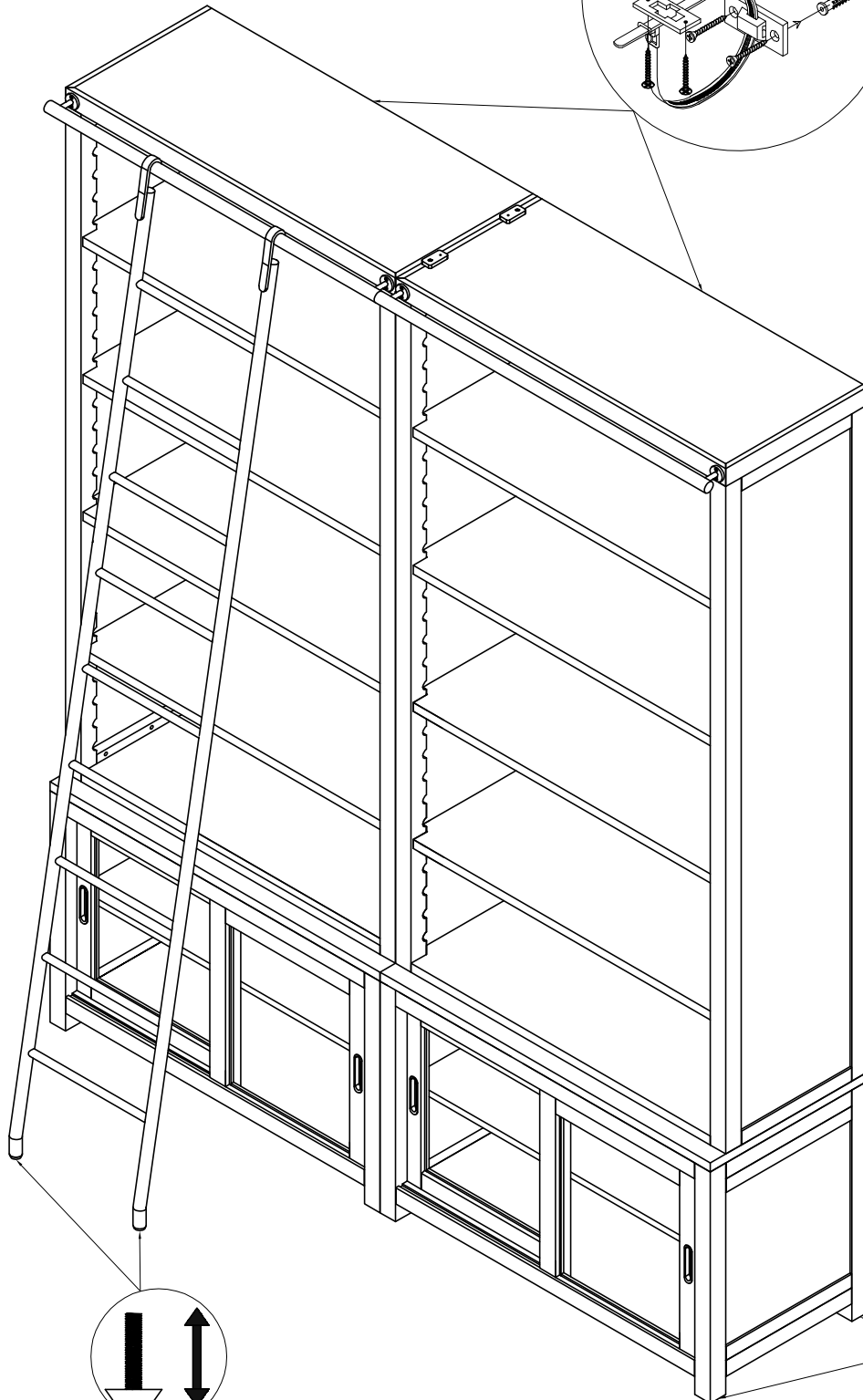
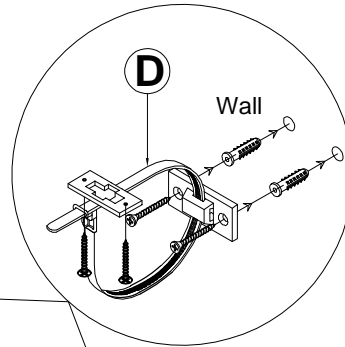
Step 3



**Step 4**

★ **REMARK:** There is a tip restraint kit provided on the back of this product please read the direction thoroughly and install immediately

**Tipping Hardware**



Step 5

