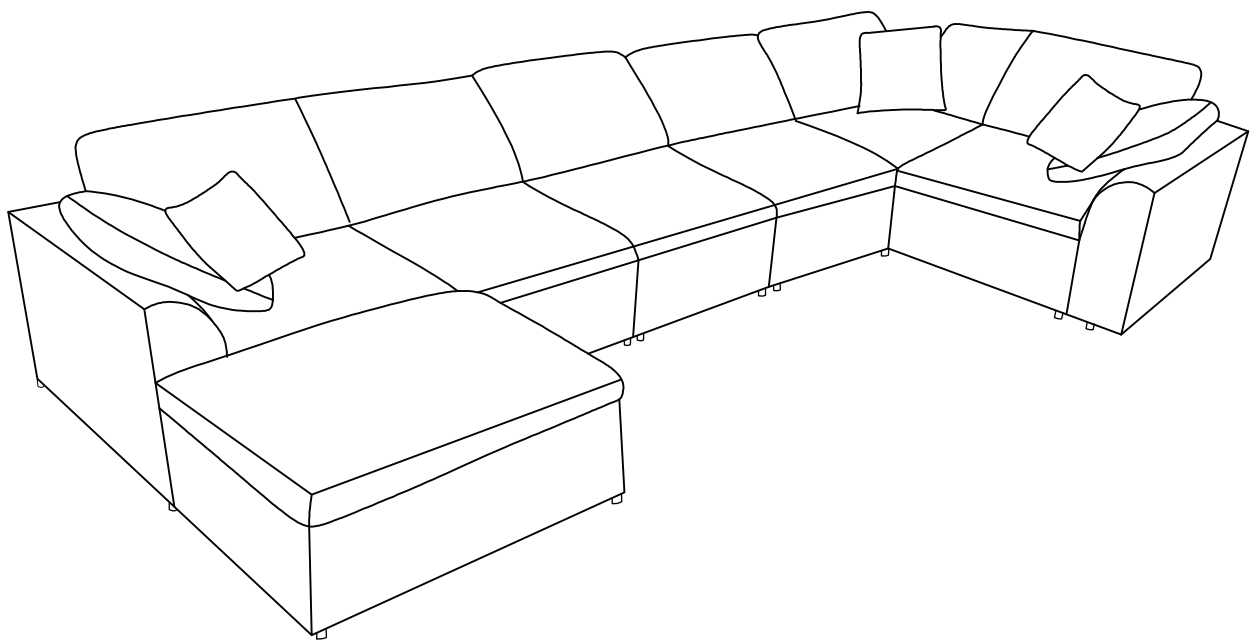
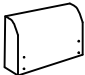
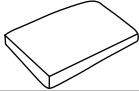
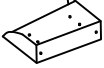
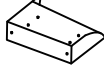

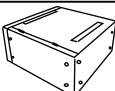
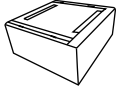









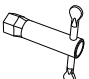





ASSEMBLY INSTRUCTIONS

Note: No climbing on the back of the sofa!

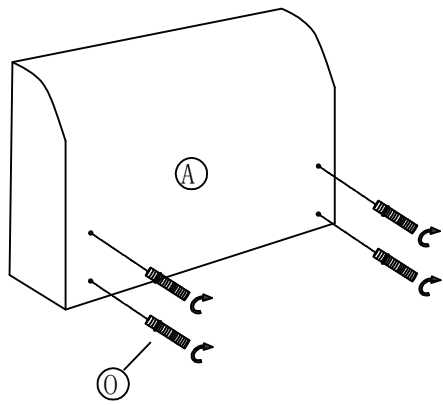


HARDWARE LIST:

A		6PCS	01 BOX: A*2 E*2 F*2 J*2
B		1PC	02 BOX: A*2 E*2 G*2 J*2
C		2PCS	03 BOX: A*2 E*2 F*1 G*1 J*2
D		1PC	04 BOX: B*1 C*1 H*1 I*1 L*1
E		6PCS	05 BOX: C*1 D*1 L*2 K*2 M*34 N*34 O*36 P*36 Q*1 R*36 S*36 T*12
F		3PCS	
G		3PCS	Hardware and legs are packed in the carton BOX.
H		1PC	
I		1PC	
J		6PCS	
K		2PCS	
L		3PCS	
M		34PCS	
N		34PCS	
O	 M8* 60MM	36PCS	
P	 M8	36PCS	
Q	 M8	1PC	
R	 M8*22*2MM	36PCS	
S	 M8	36PCS	
T		12PCS	

1

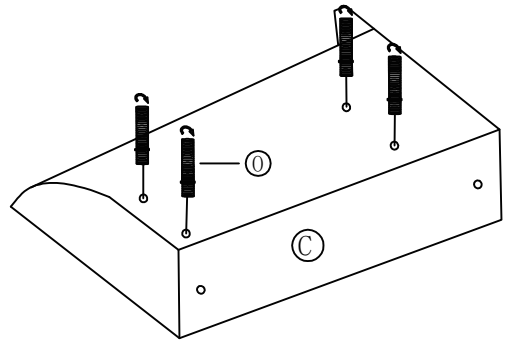
X 3



O*12

2

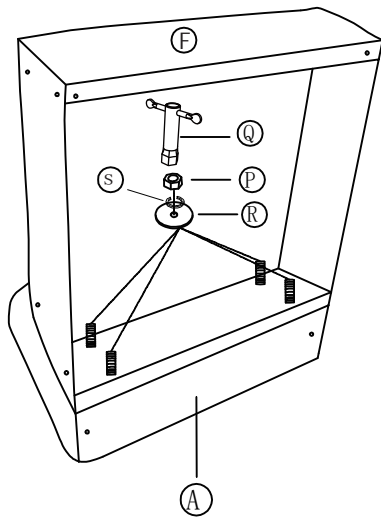
X 2



O*8

3

X 2



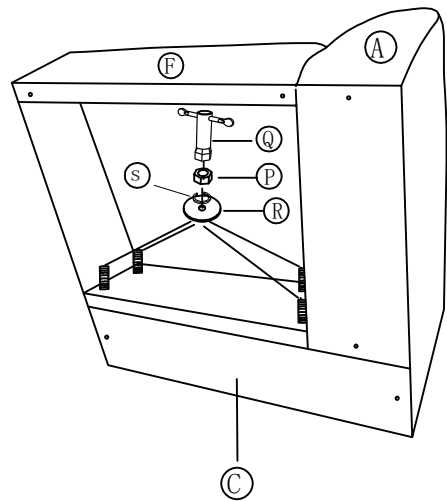
S*8

P*8

R*8

4

X 2

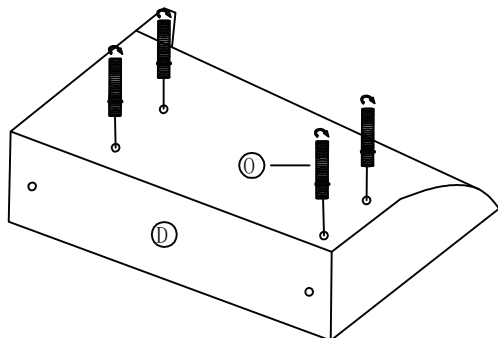


S*8

P*8

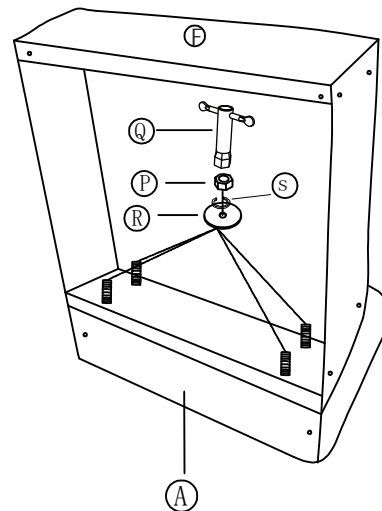
R*8

5



O*4

6

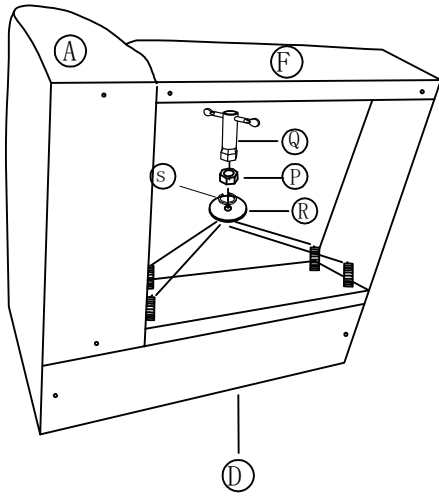


S*4

P*4

R*4

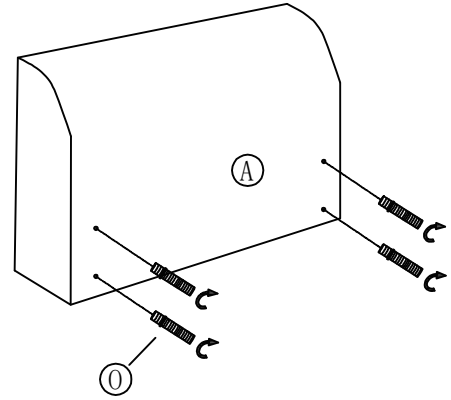
7



S*4
P*4
R*4

8

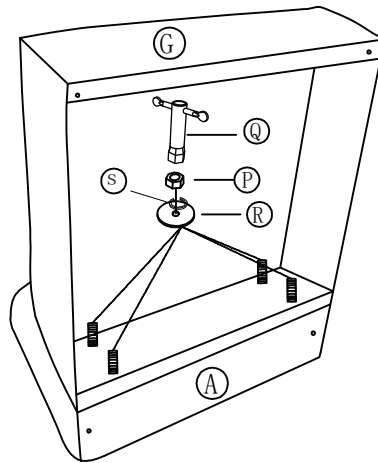
X 3



O*12

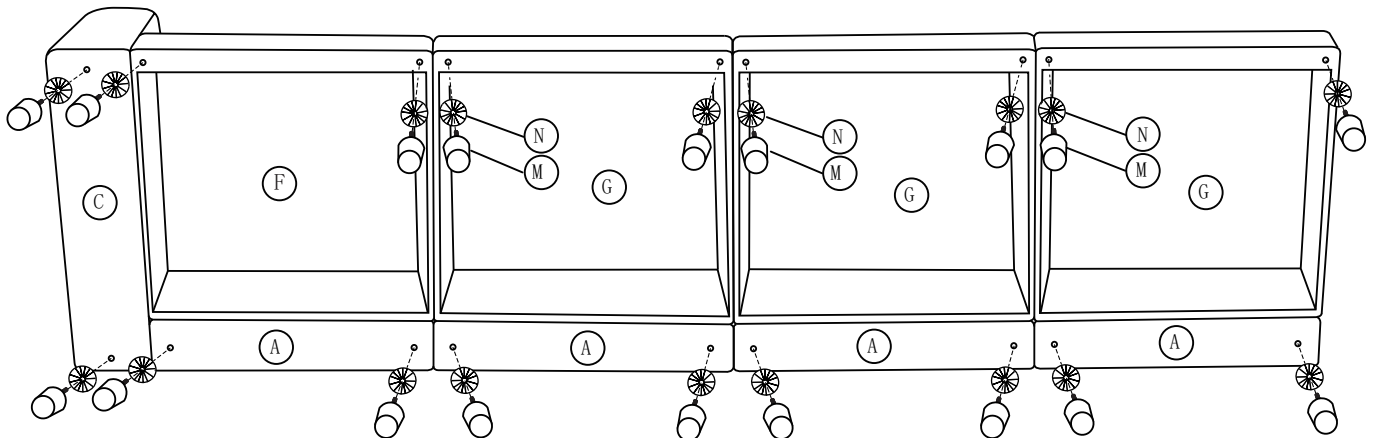
9

X 3



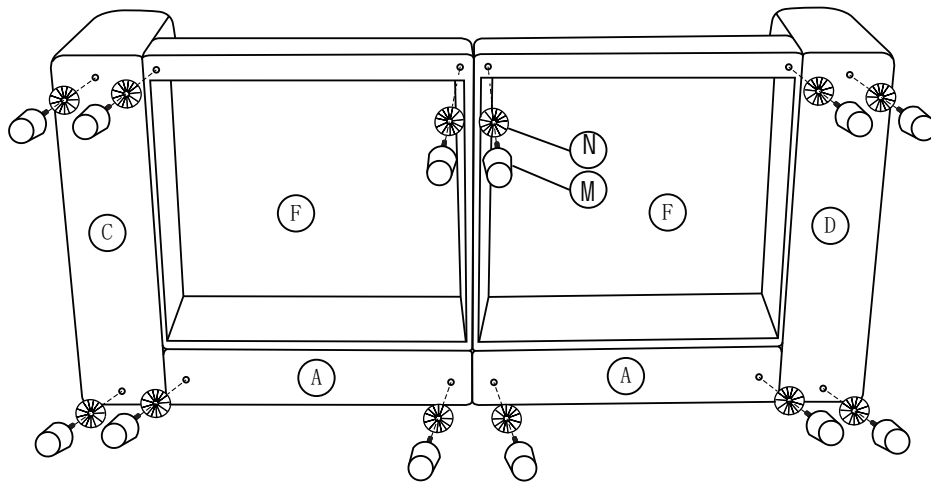
S*12
P*12
R*12

10



N*18
M*18

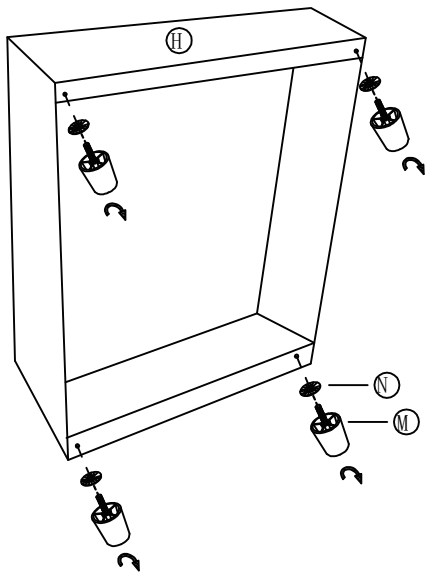
11



N*12

M*12

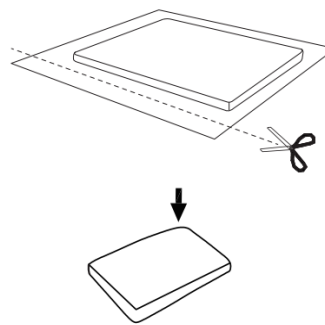
12



M*4

N*4

13

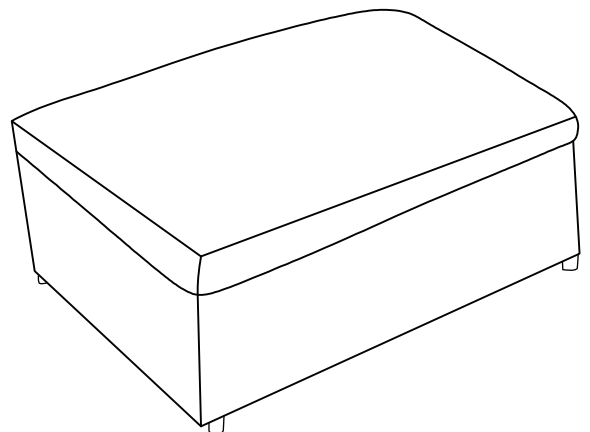
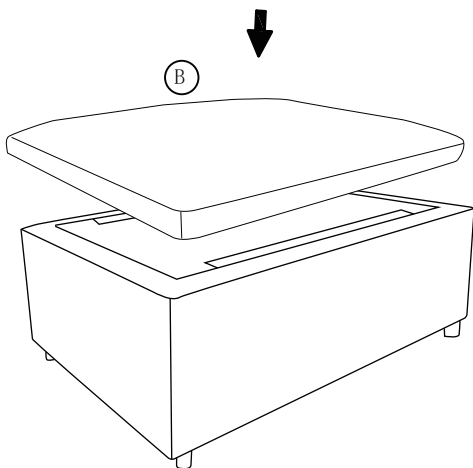


X1

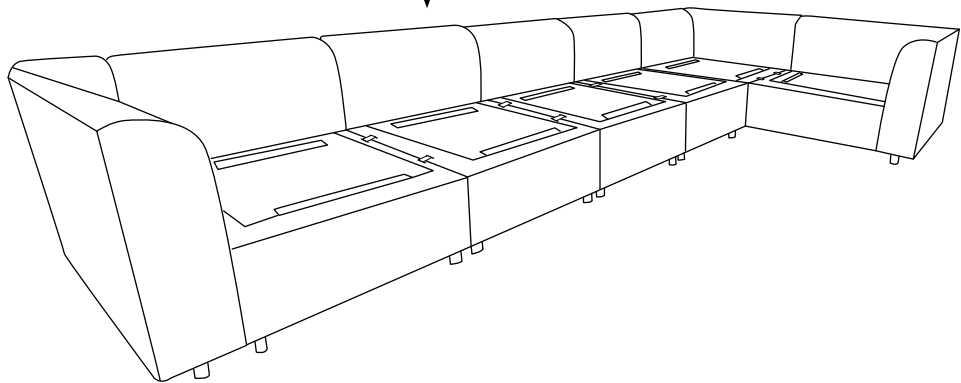
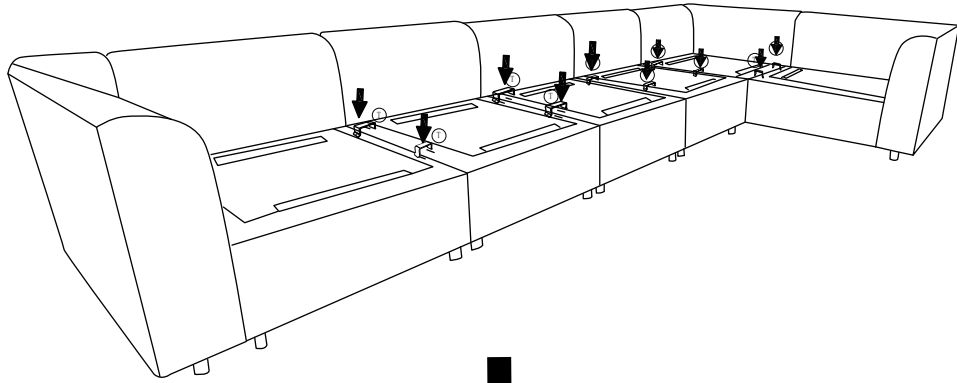


72h

14

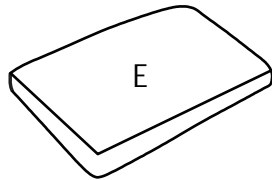
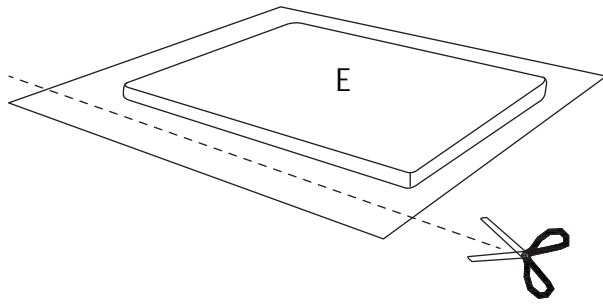


15

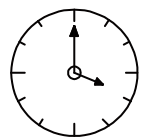


T*10

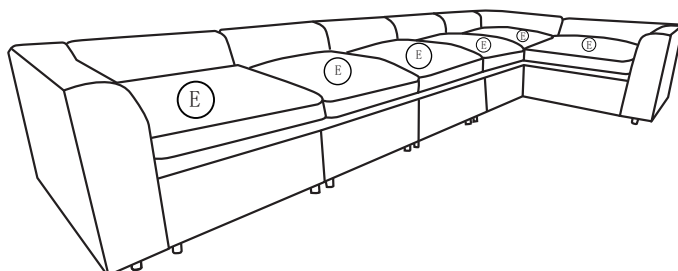
16

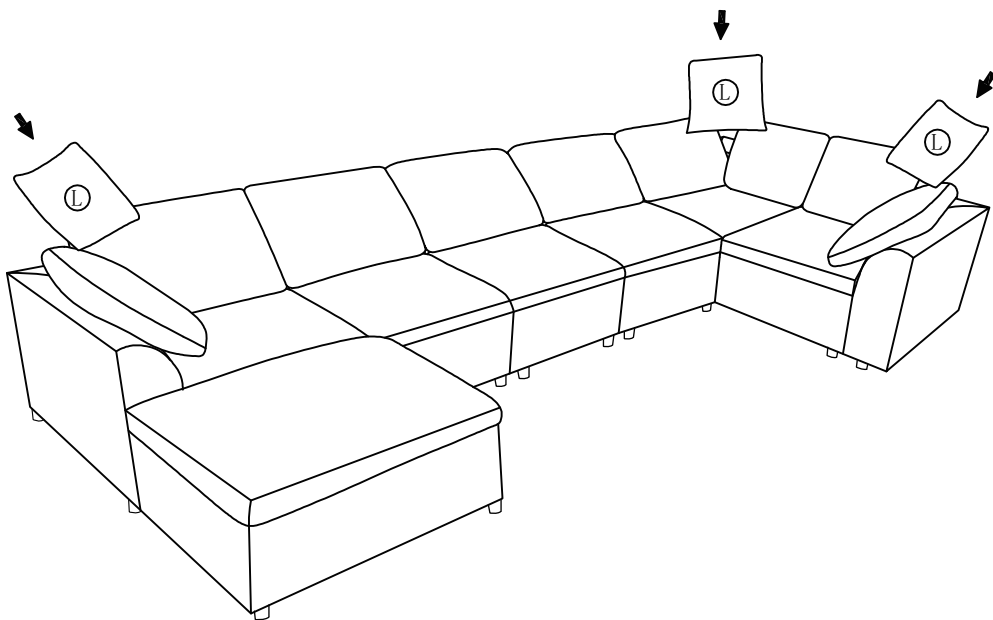
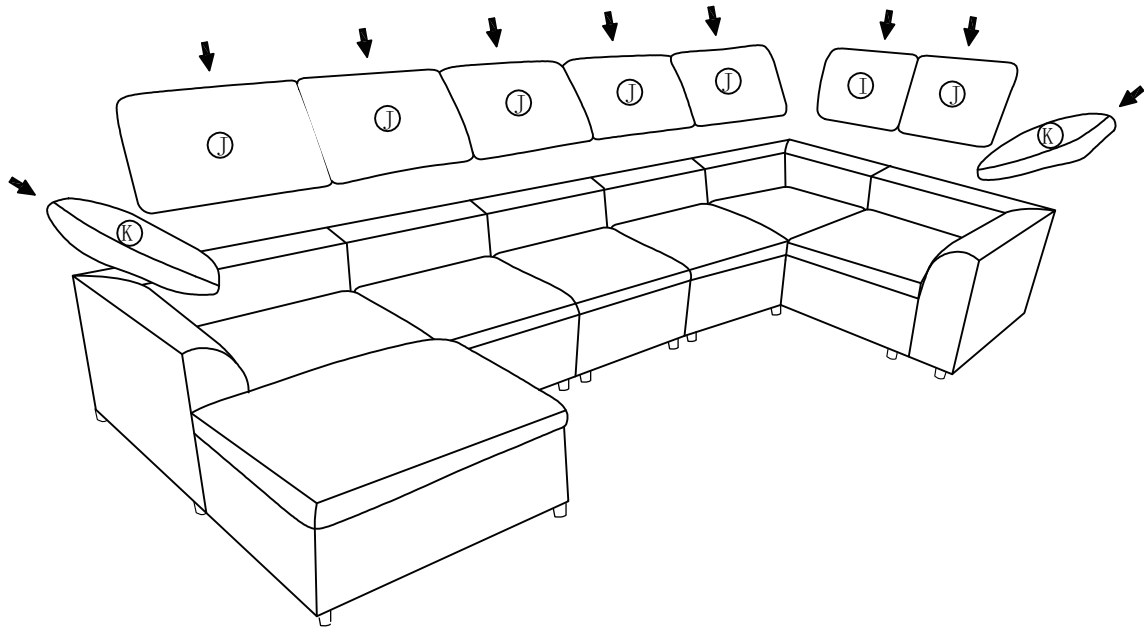


X6



72h





Complete

