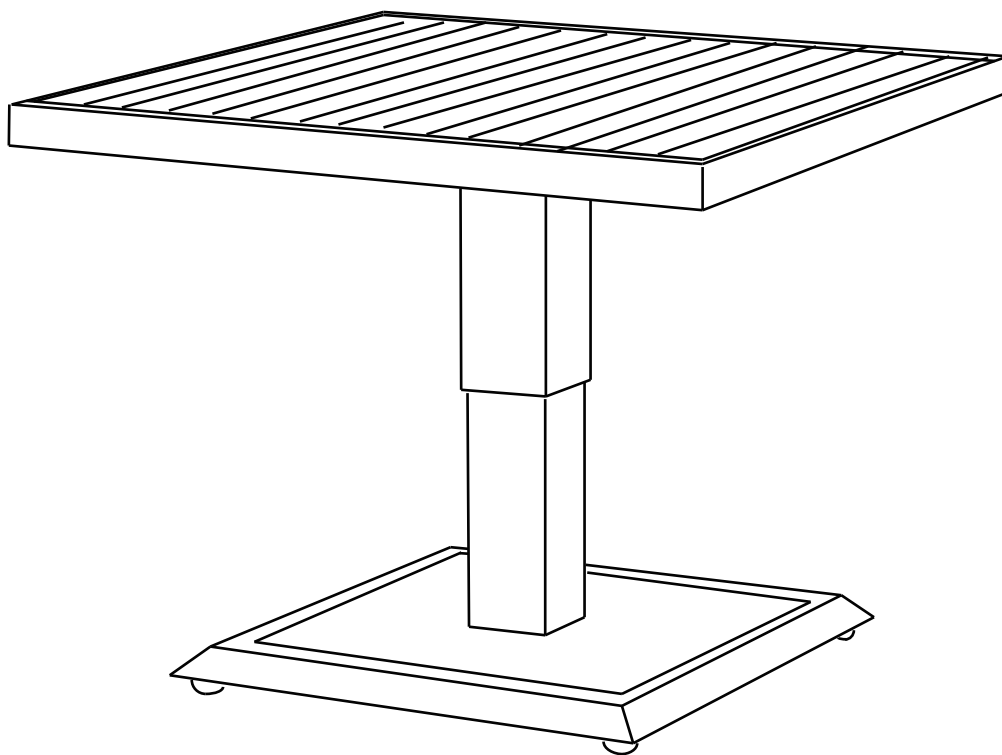


---

# 85x85 Square Rising Table

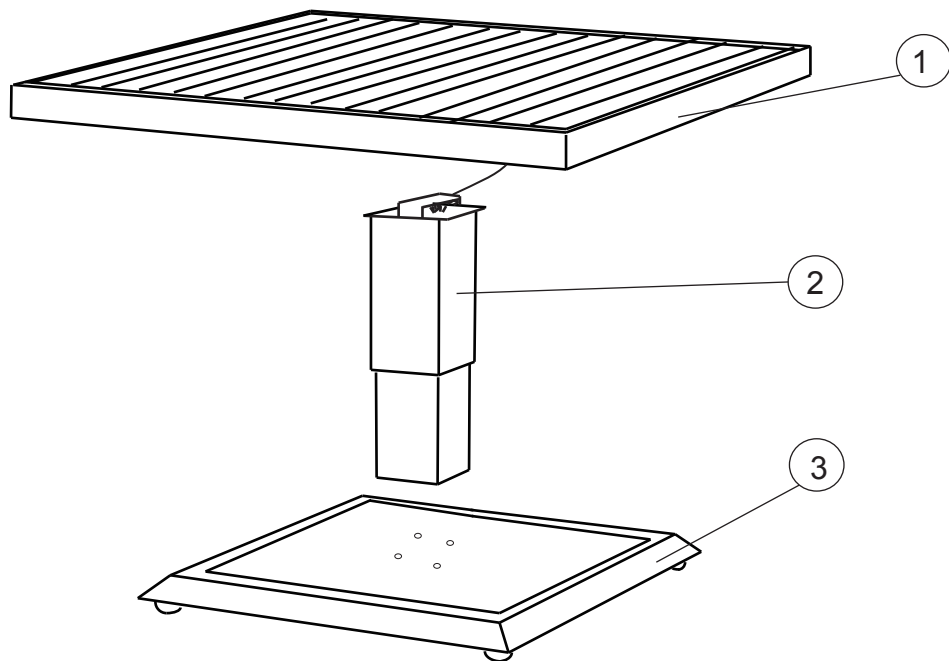
Assembly instructions





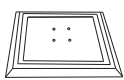
# 85x85 Square Rising Table

## Assembly instructions

### GETTING TO KNOW YOUR PRODUCT

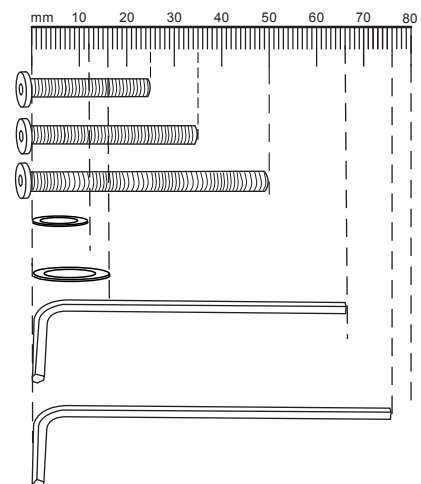


Components supplied. Please use this guide if you require replacement parts.

Ref	Dimensions	Visual	Qty
1	85x85x5 cm		1
2	15x12x45 cm		1
3	60x60x4 cm		1

Fixtures and fittings supplied(actual size)

Ref	Dimensions	Qty
A	M6x25mm	4
B	M6x35mm	2
C	M8x50mm	4
D	ø12x1.0mm	6
E	ø16X1.0mm	4
F	ø4X66mm	1
G	ø5X76mm	1



# 85x85 Square Rising Table

## Assembly instructions

1

Ax4 M6 x 25mm



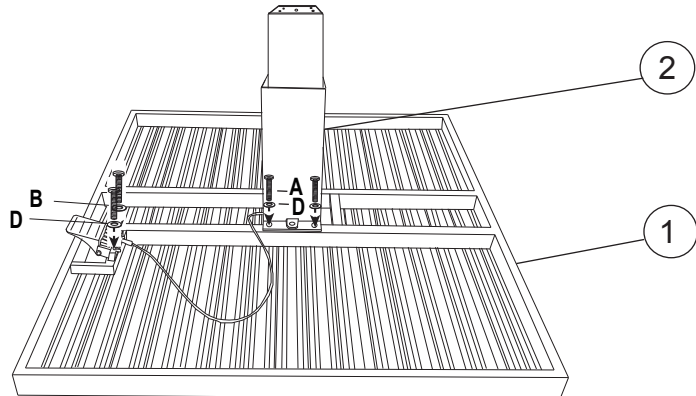
Bx2 M6 x 35mm



Dx6  $\varnothing 12 \times 1.0$ mm



Fx1  $\varnothing 4 \times 66$  mm



2

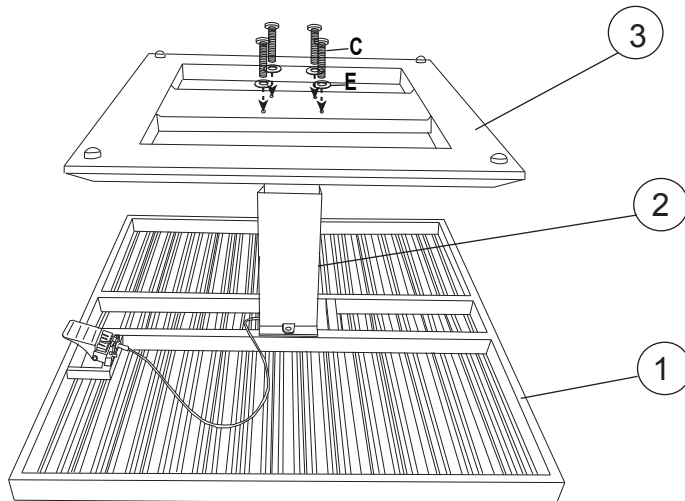
C x4 M8 x 50mm



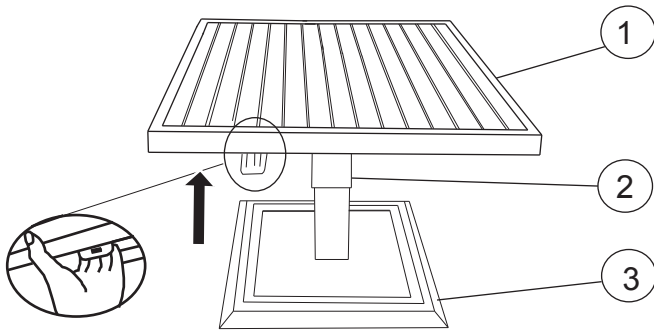
Ex4  $\varnothing 16 \times 1.0$ mm



Gx1  $\varnothing 5 \times 76$  mm

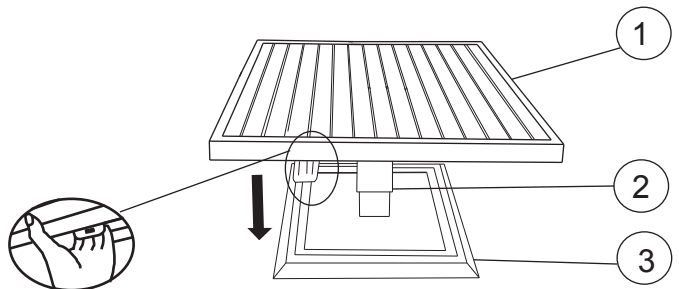


3



Press and hold the button as the table rises

4



Press the button as the table descends and press down with your hand on the center of the table as shown