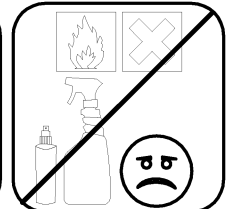
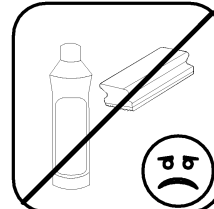
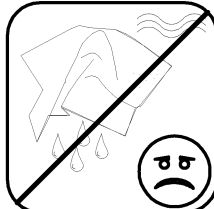
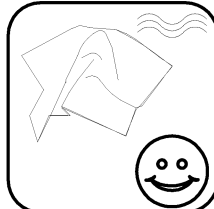
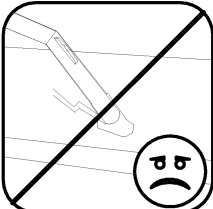
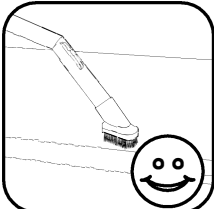
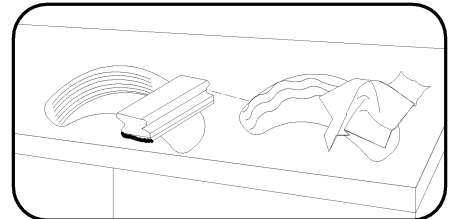
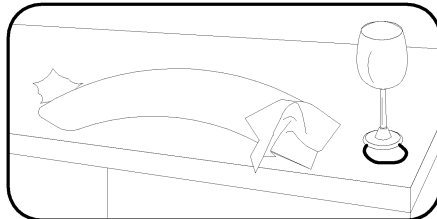
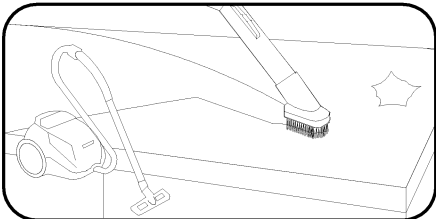
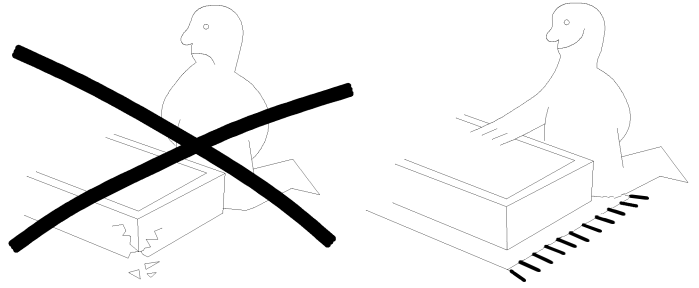
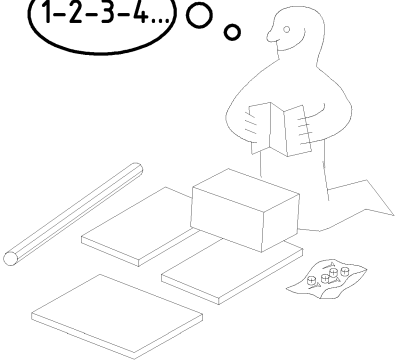
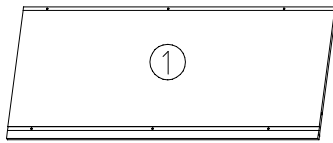
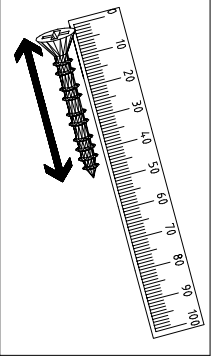
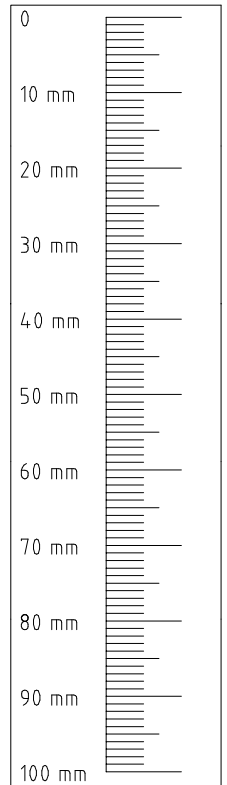
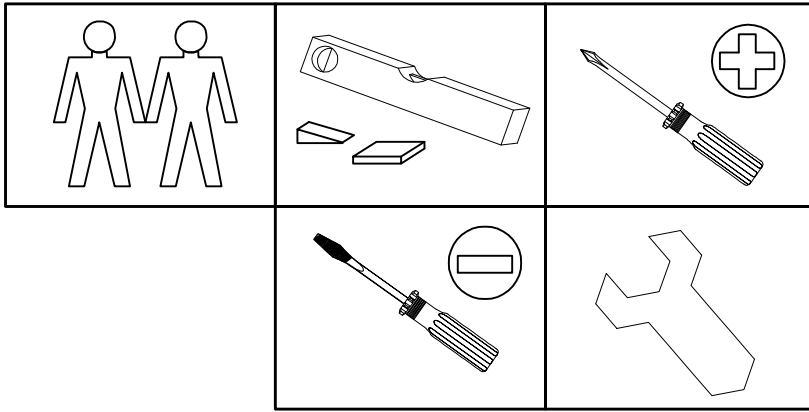
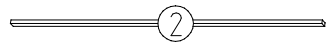


1-2-3-4... ○ ○

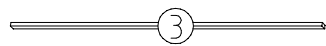




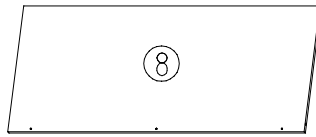
1317x560x15



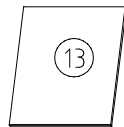
1317x32x15



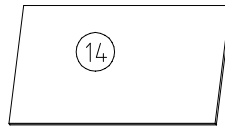
1317x32x15



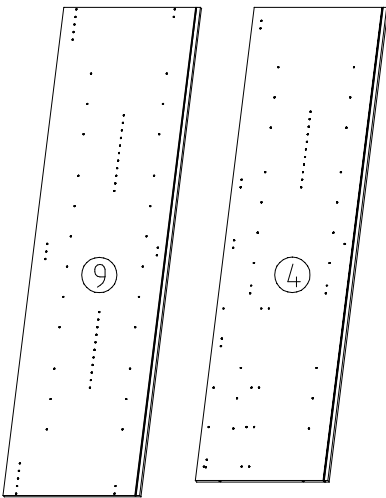
1317x560x15



429x500x18

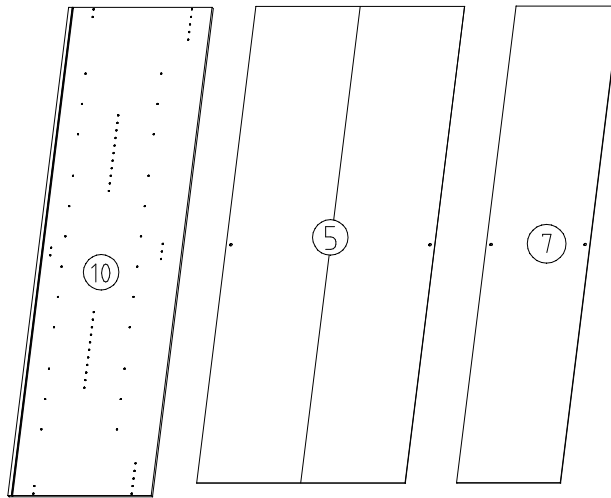


873x500x18



2064x577x15

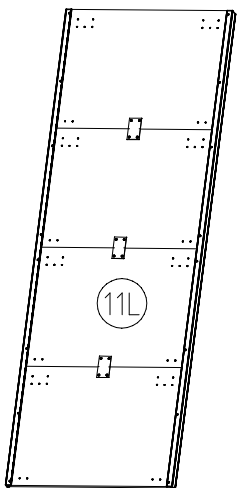
2001x560x15



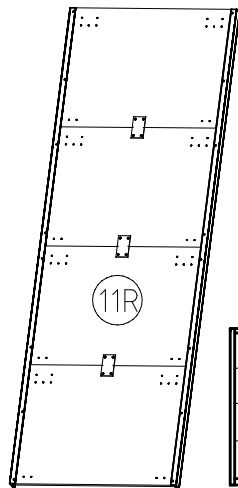
2064x607x15

2015x882x2,5

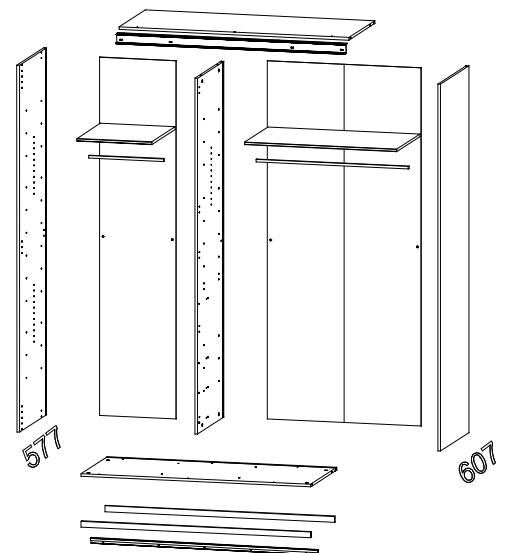
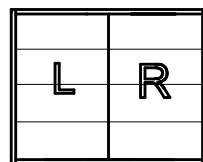
2015x438x2,5

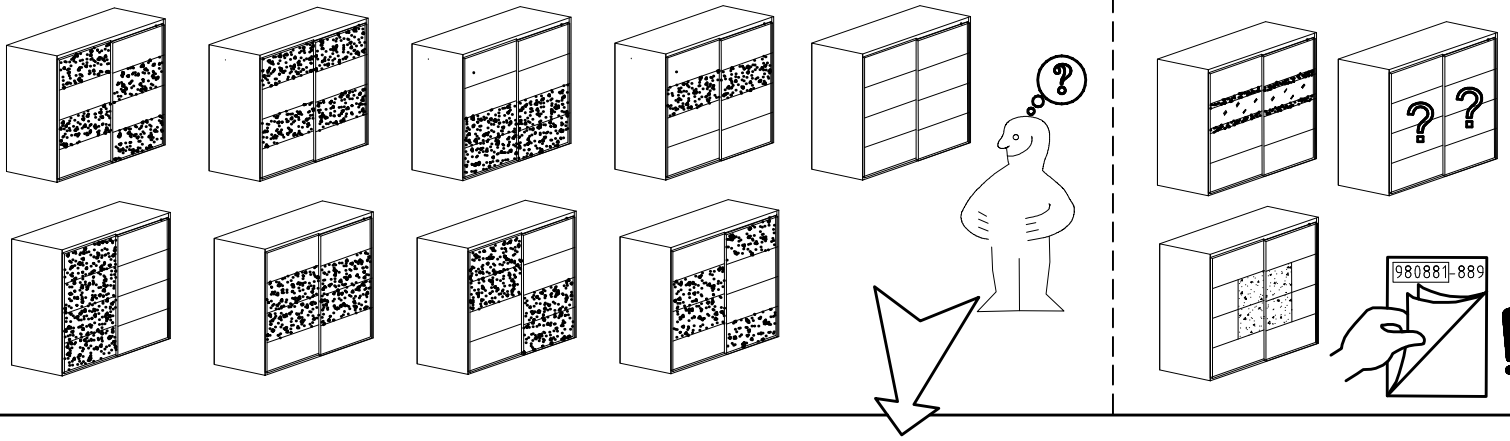


2018x694x15

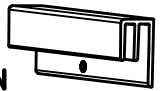


2018x694x15

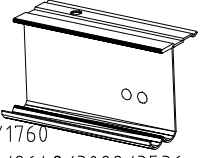




1x
FPN
1316/1760
2204/2648/3092/3536



1x
LP
1316/1760
2204/2648/3092/3536



	2x
	1x
	1x
	1x

	2x
	2x
	1x
	1x

	2x
	2x
	24x
	6x

	56x
	7x
	3x
	3x

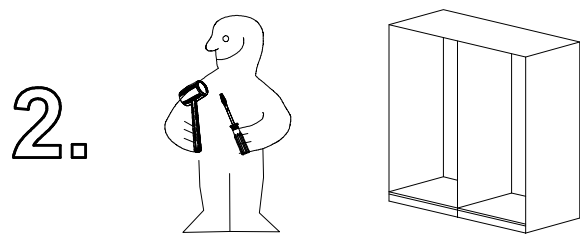
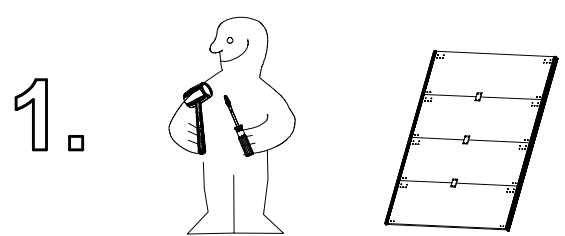
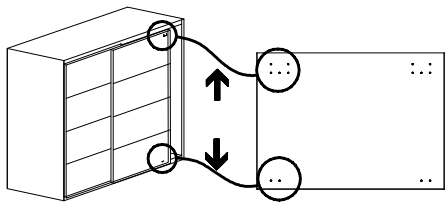
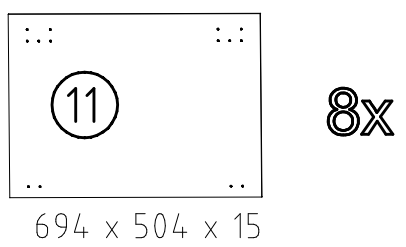
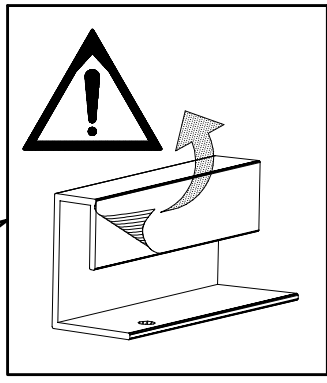
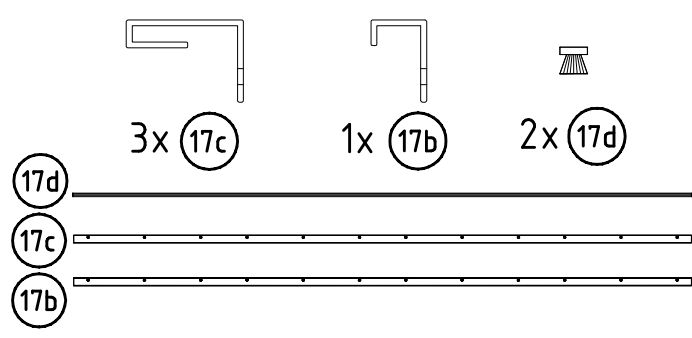
	12x
	12x

	4x
	4x

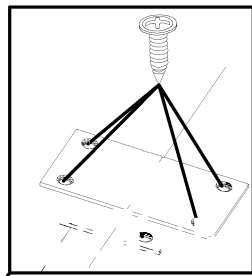
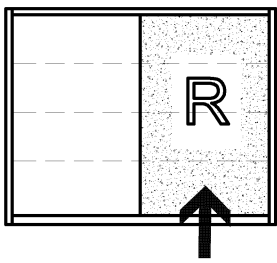
	8x
	4x

	1x
	8x

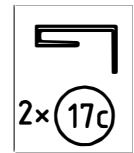
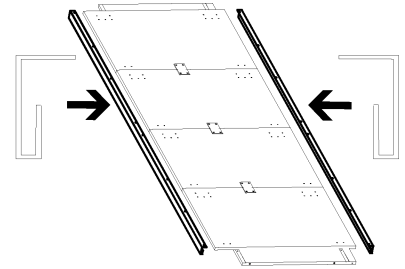
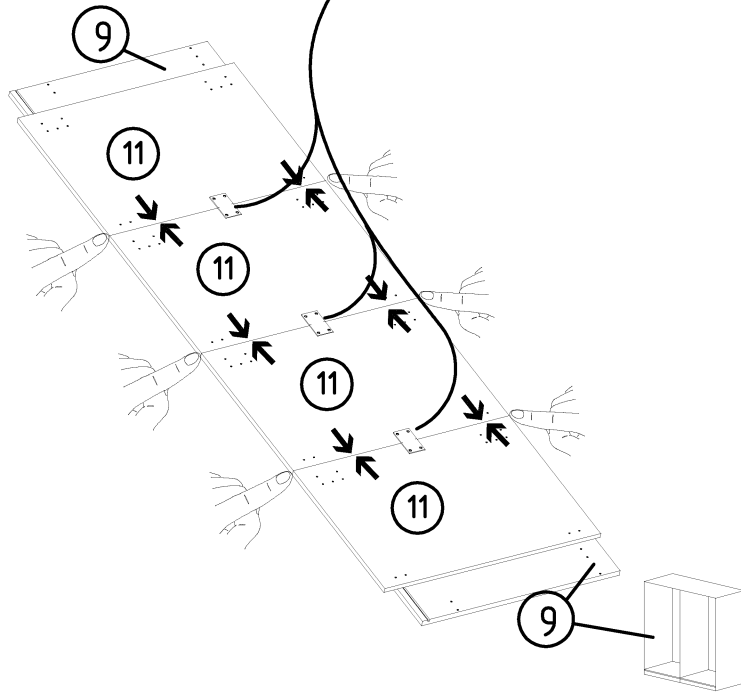
	1x
	10x



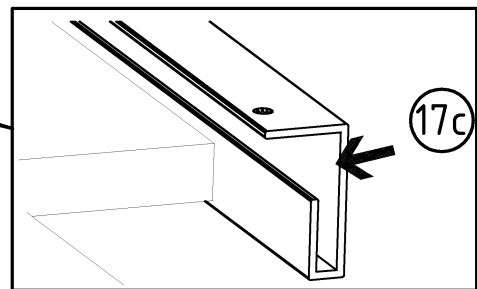
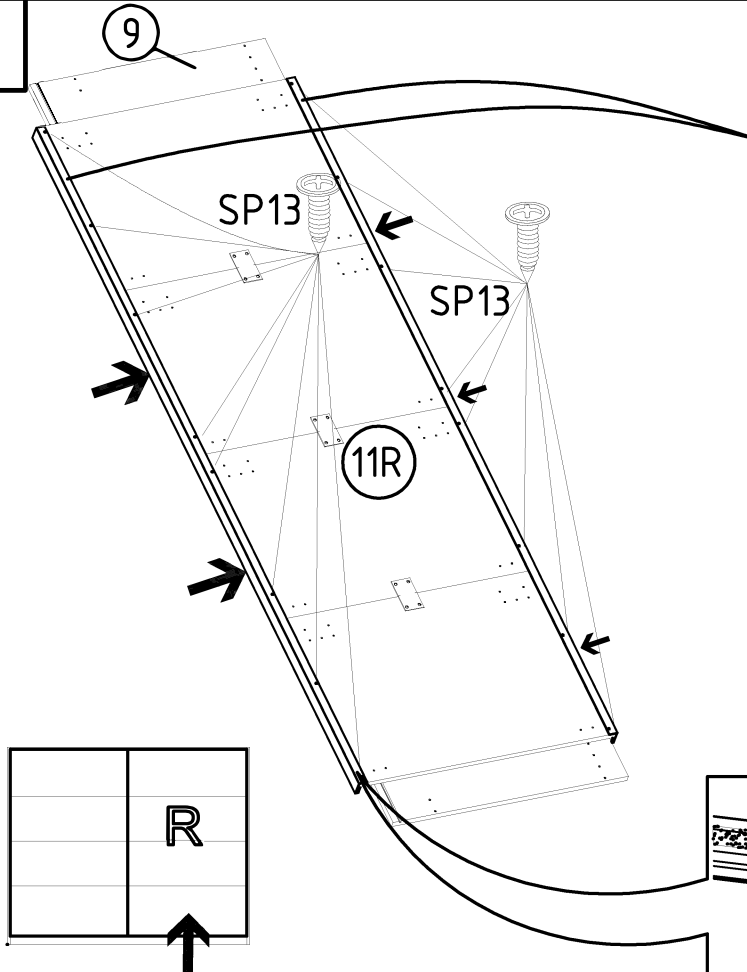
1



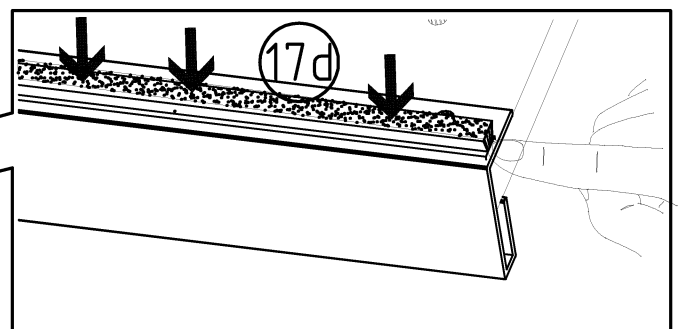
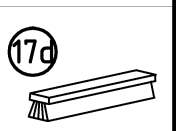
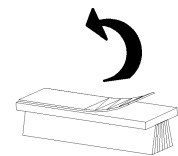
H5 4 X 13mm SP13
 114 183 121 122



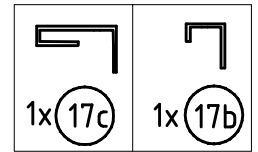
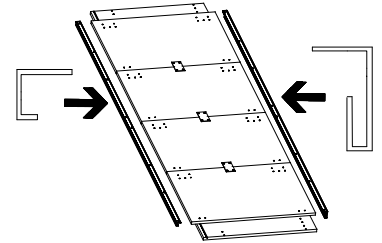
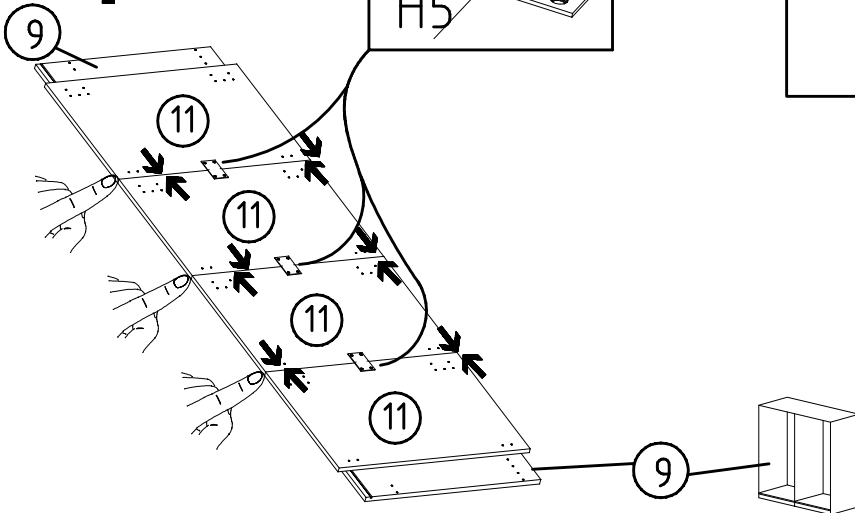
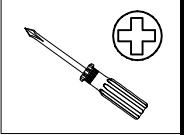
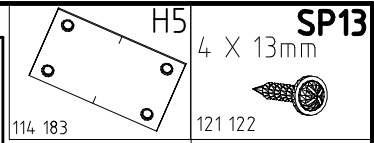
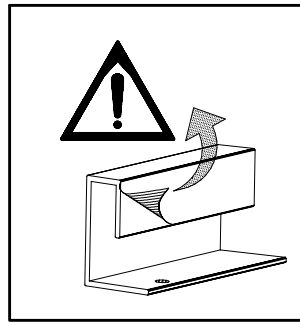
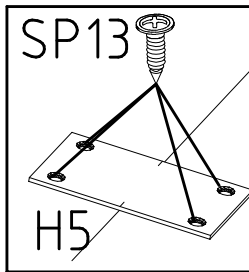
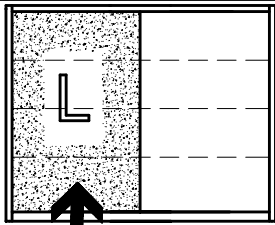
2



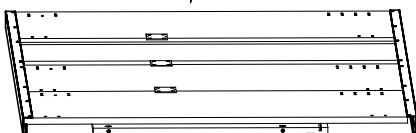
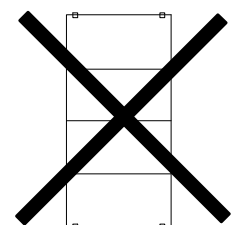
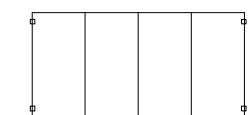
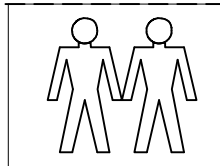
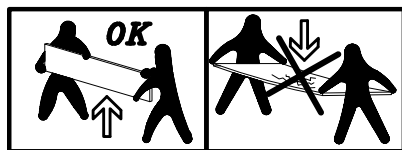
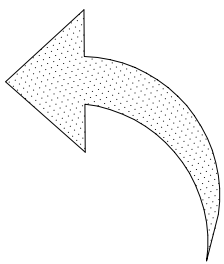
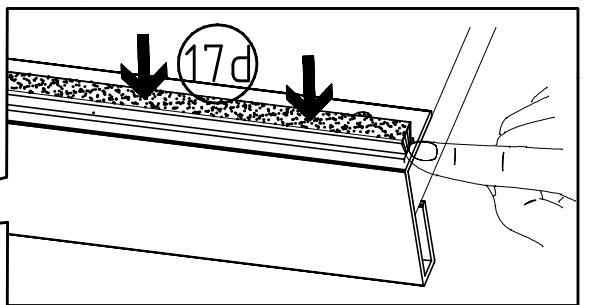
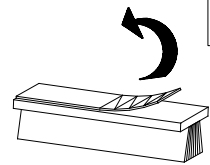
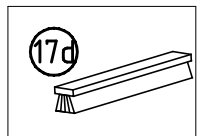
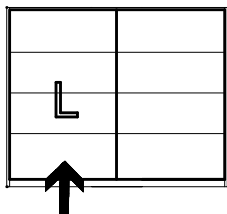
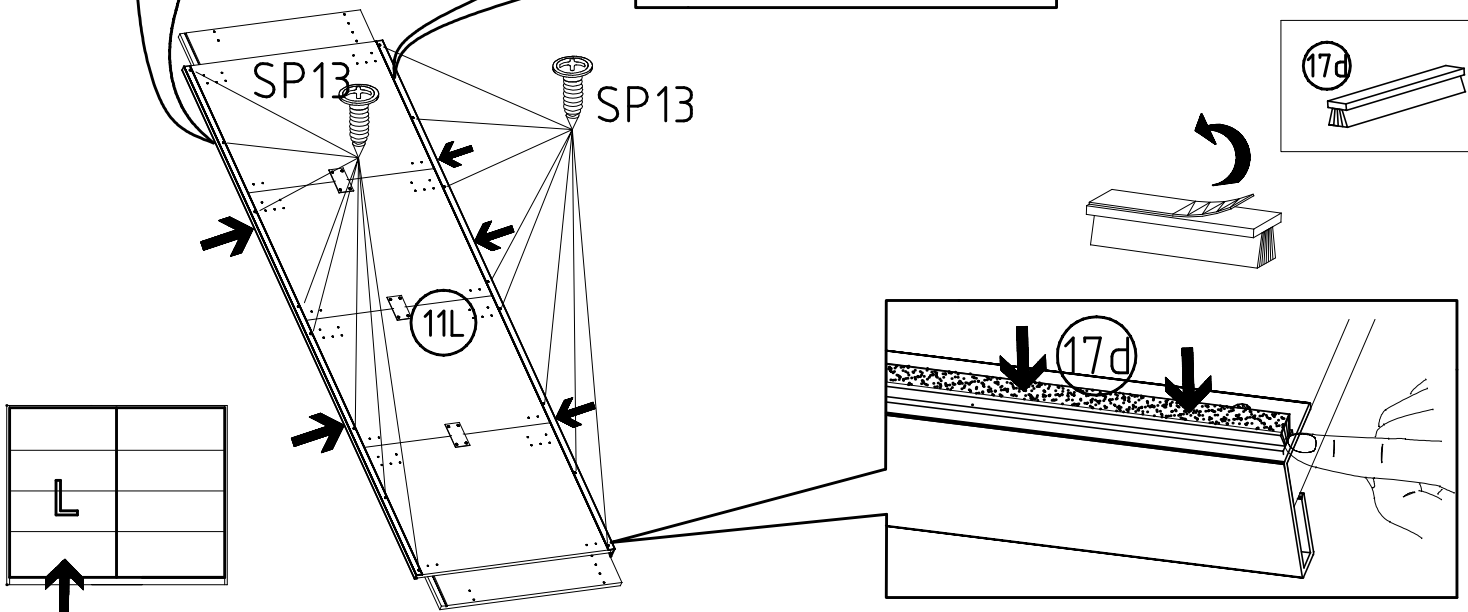
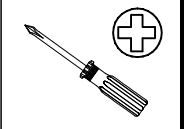
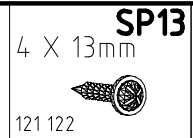
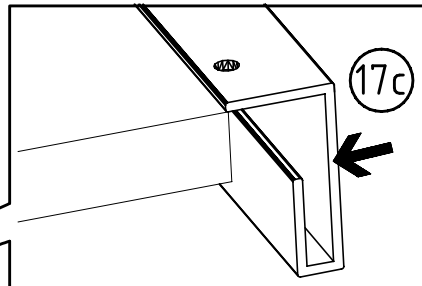
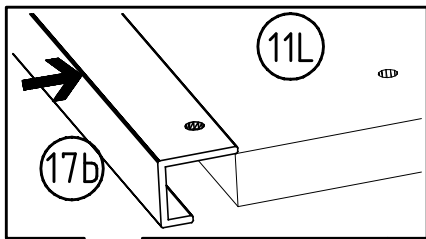
4 X 13mm SP13
 121 122



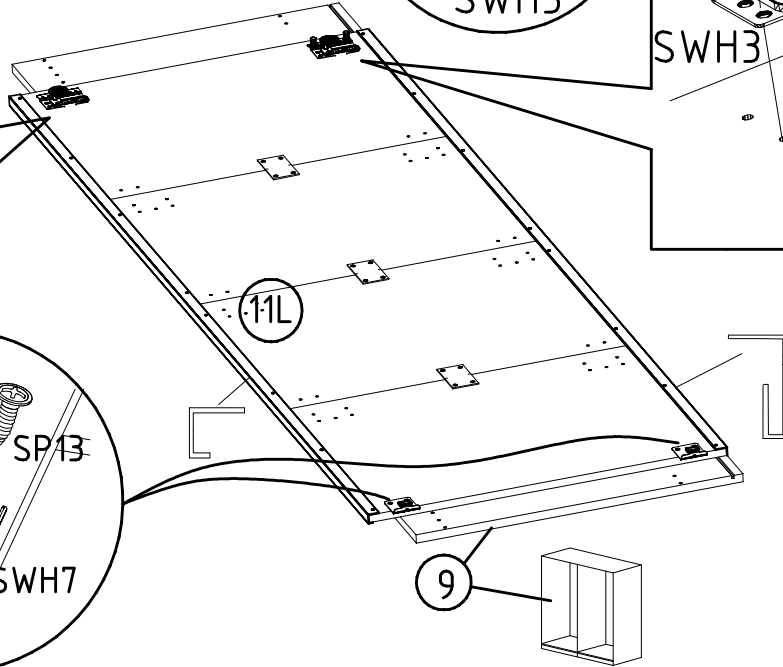
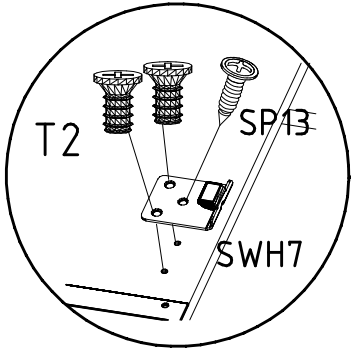
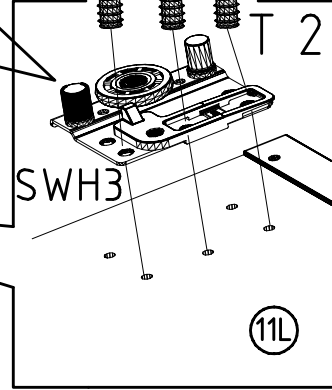
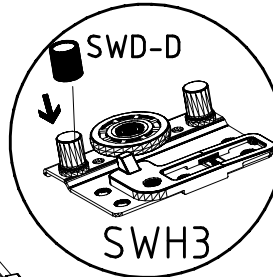
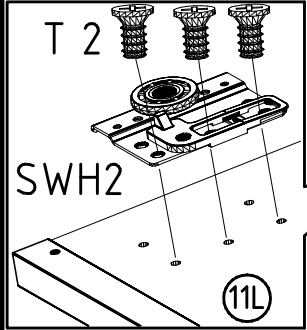
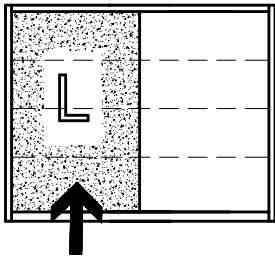
3



4

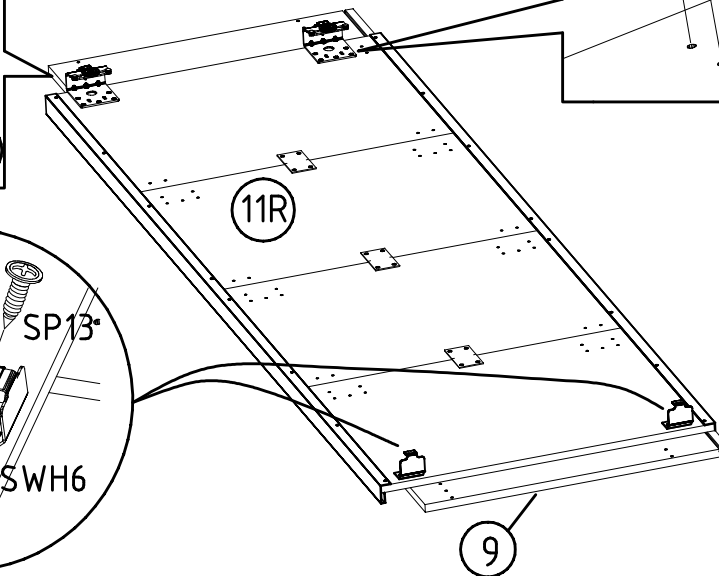
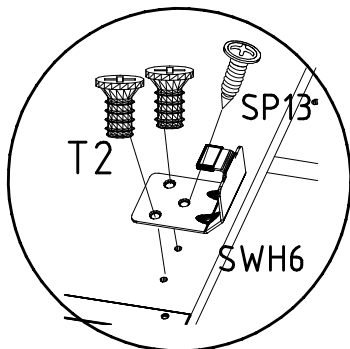
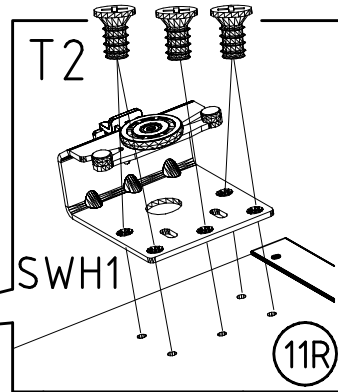
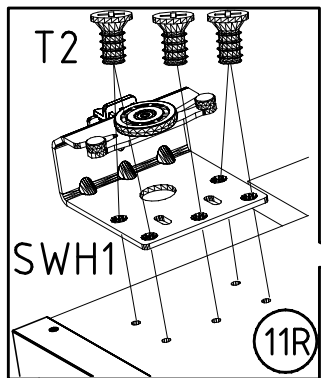
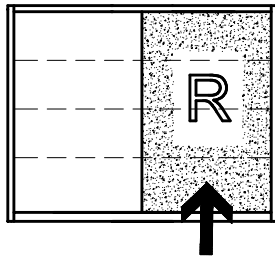


5

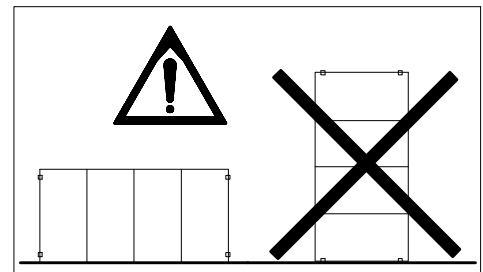


- SWH2
- SWH3
- SWH 7
- SWH-D
- 6,3 x 10,5 mm T2
- 111.030
- SP13
- 4 X 13mm
- 121 122
- +

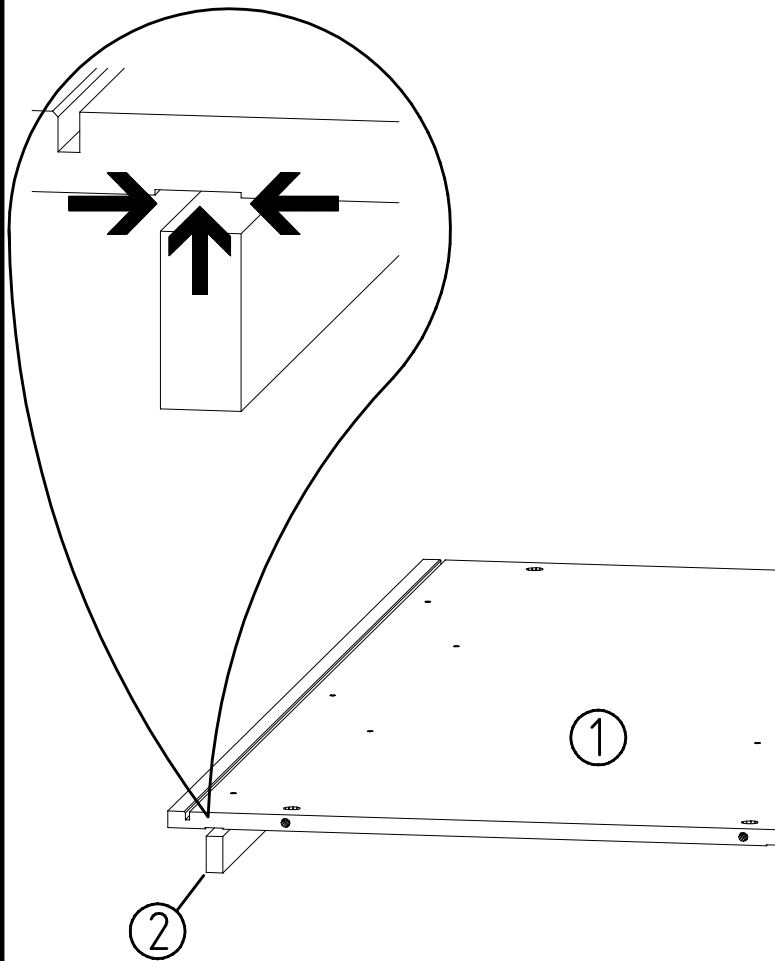
6



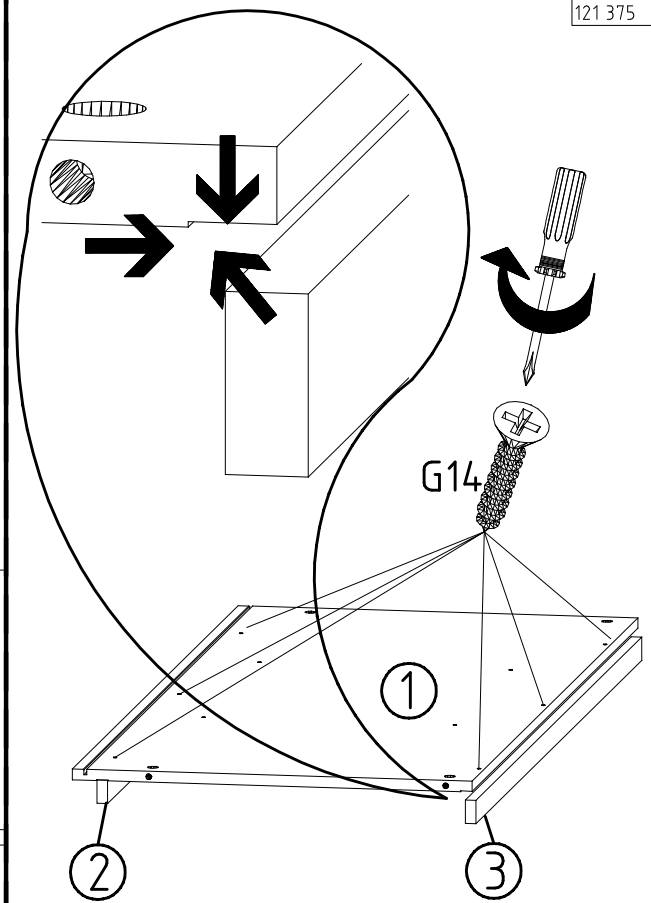
- SWH1
- SWH 6
- 6,3 x 10,5 mm T2
- 111.030
- SP13
- 4 X 13mm
- 121 122
- +



7



8



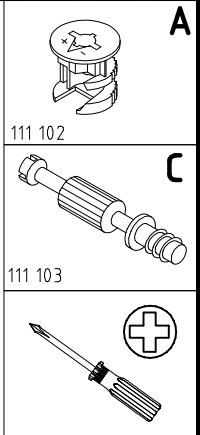
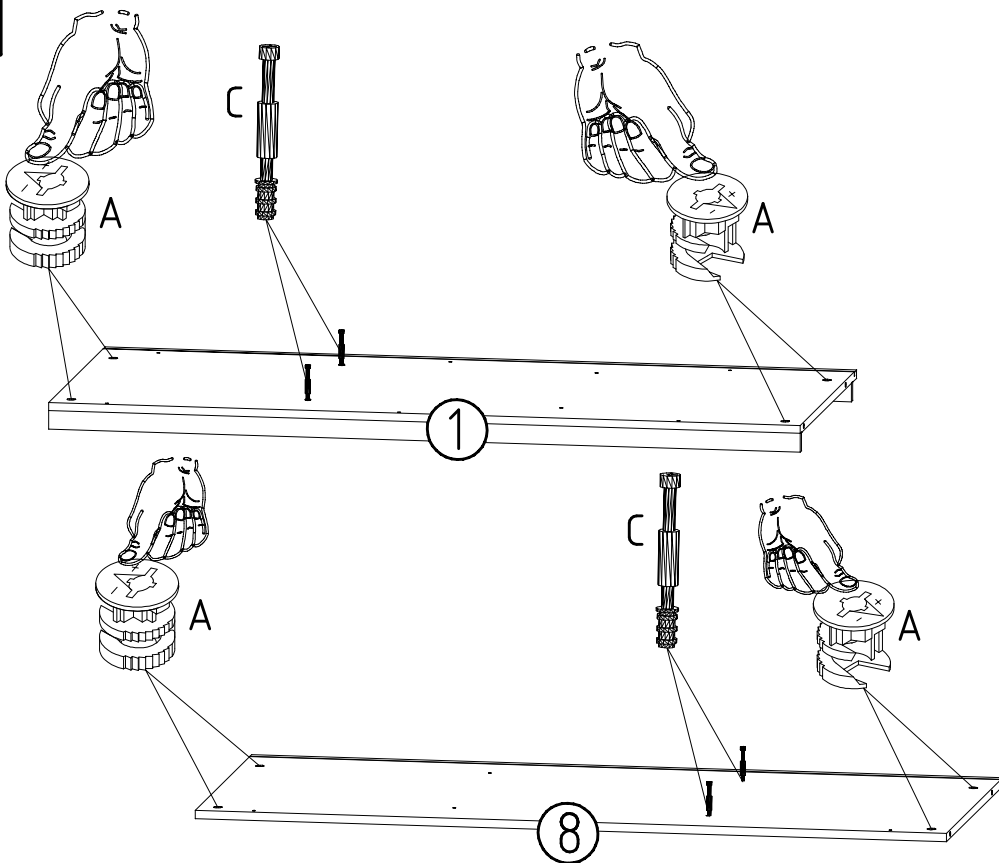
3,5 x 35 mm

G14

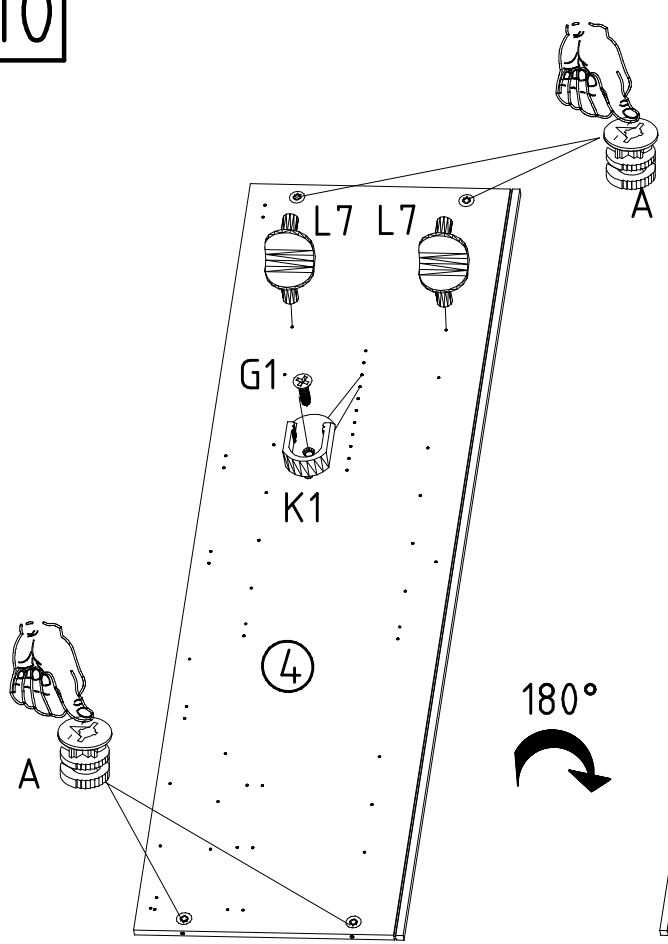


121 375

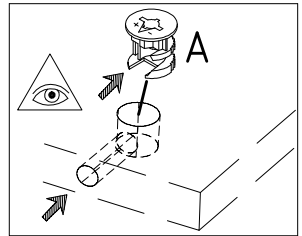
9



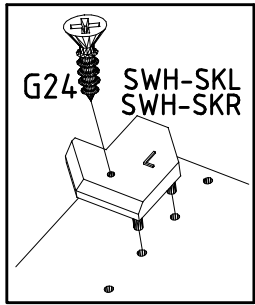
10



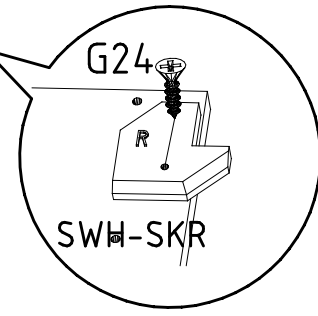
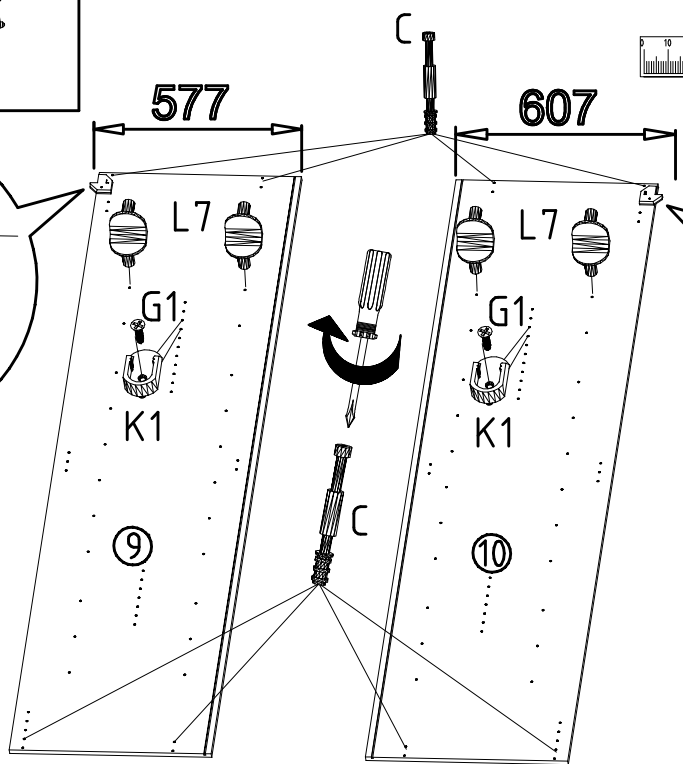
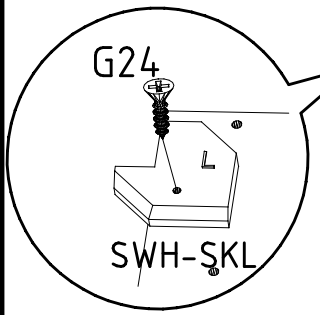
 111 102	A 3,5 x 15 mm 121 370	 117 001	 111 610	 L7
-------------	-------------------------------------	-------------	-------------	--------



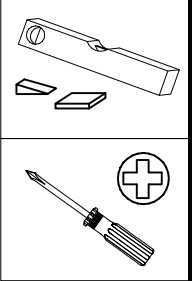
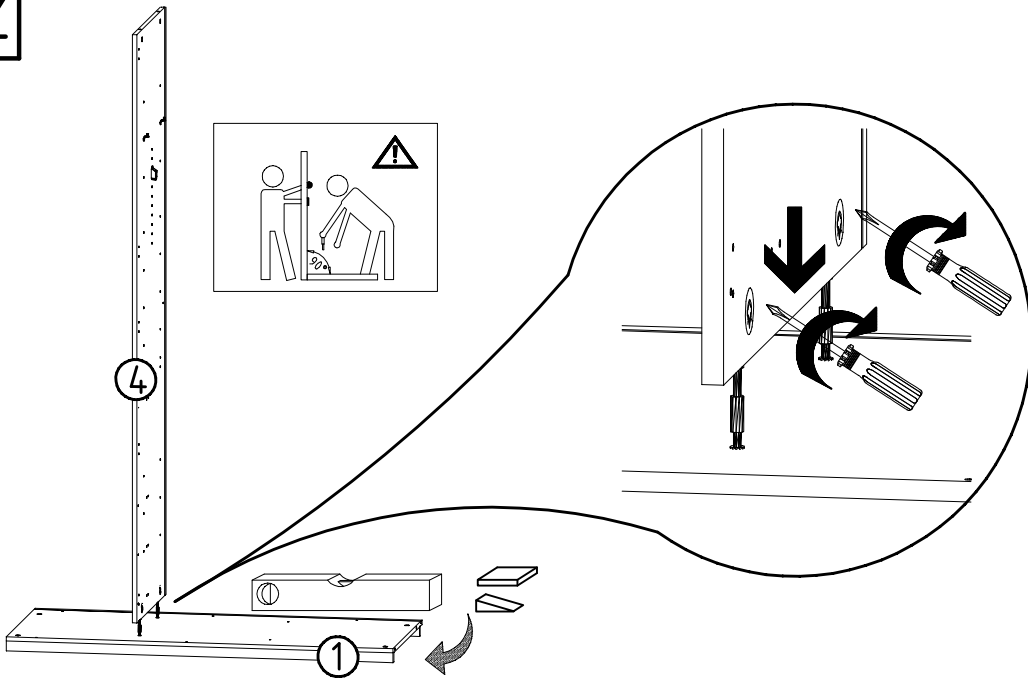
11



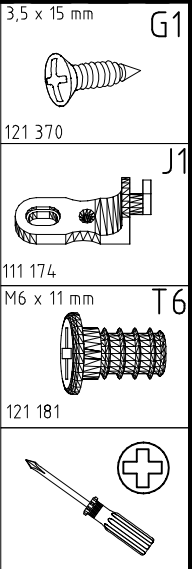
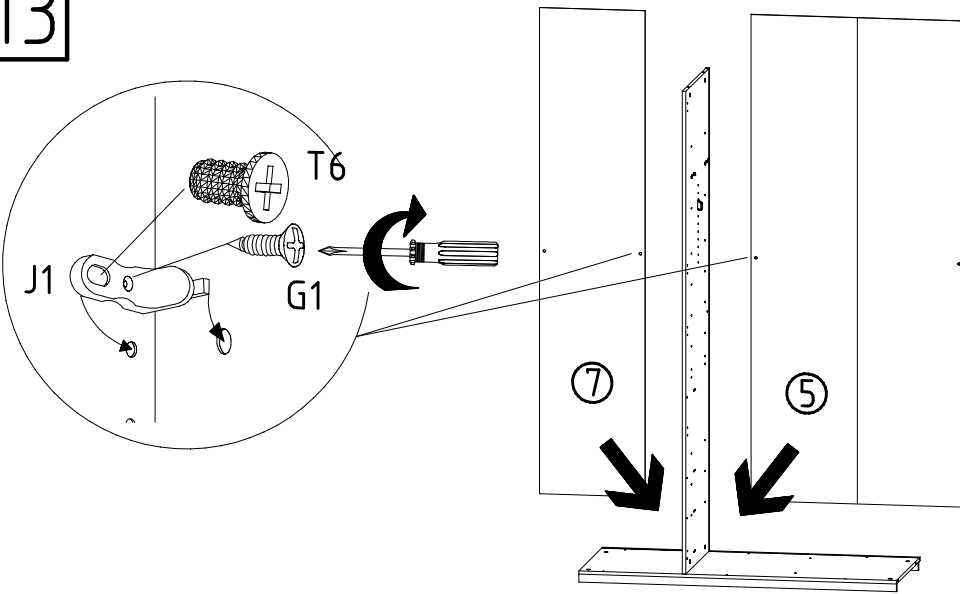
	 111 103 3,5 x 15 mm
	 121 370
	 117 001
	 111 610
	SWH-SKL
	SWH-SKR
	3,5 x 22 mm G24 121 004



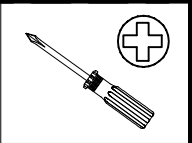
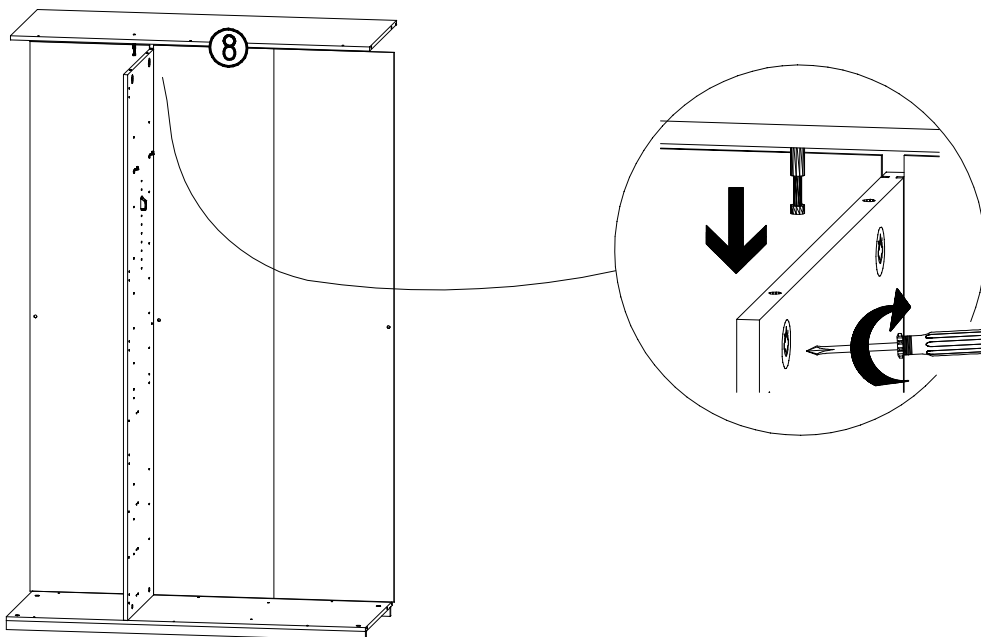
12



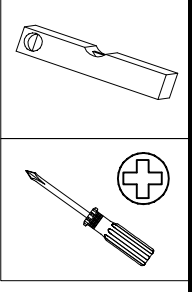
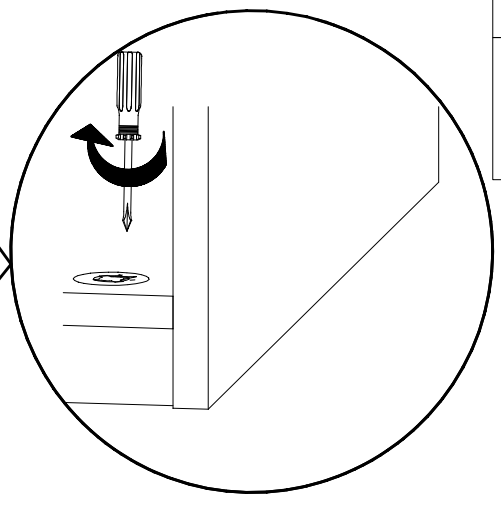
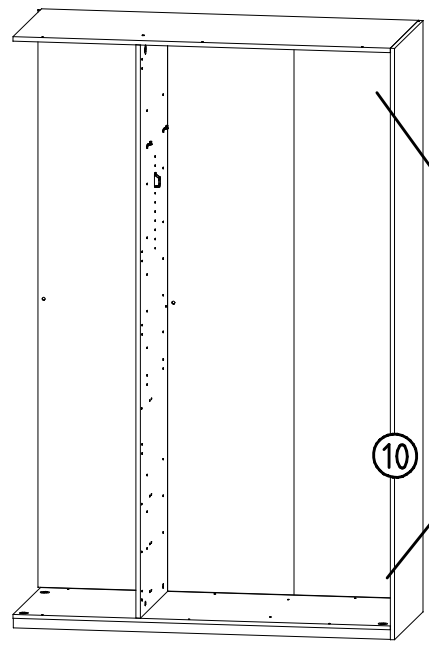
13



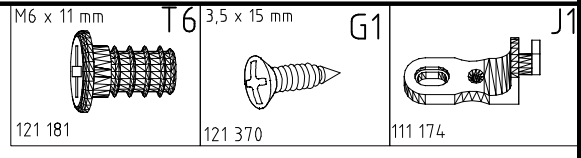
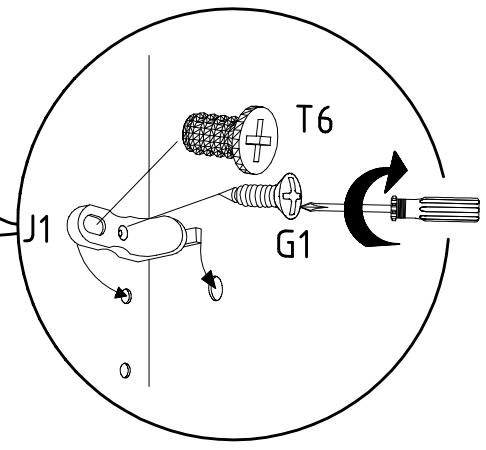
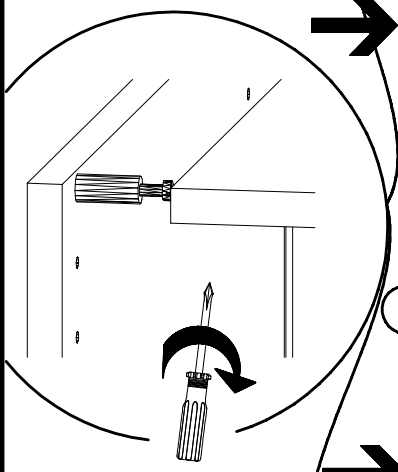
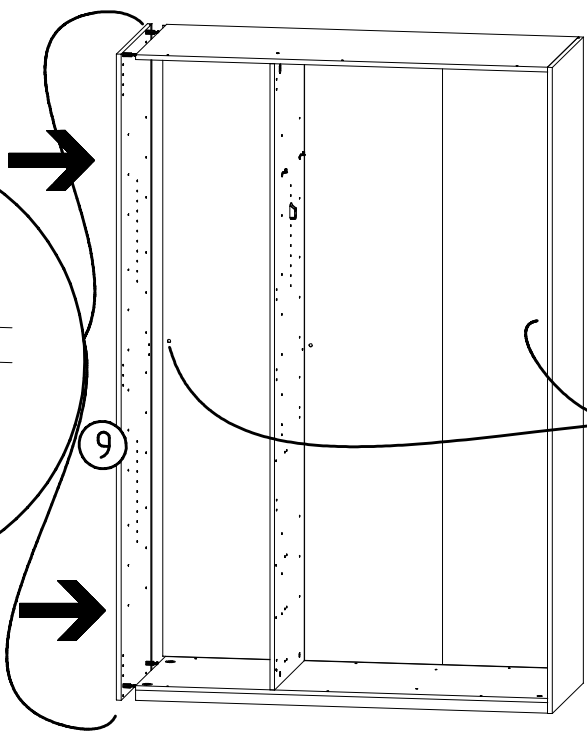
14



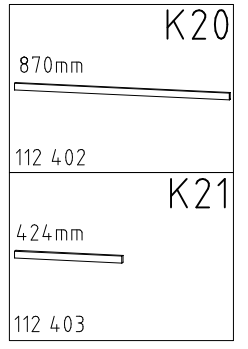
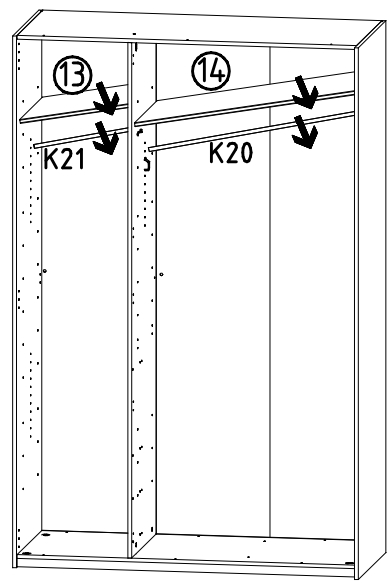
15



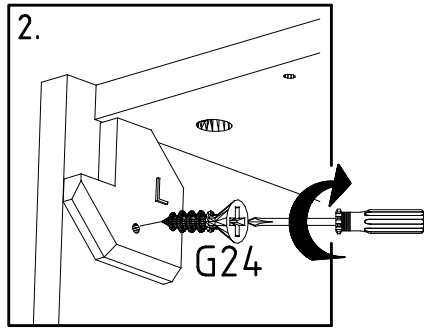
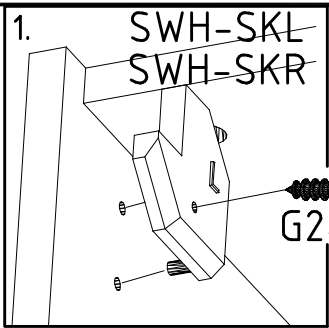
16



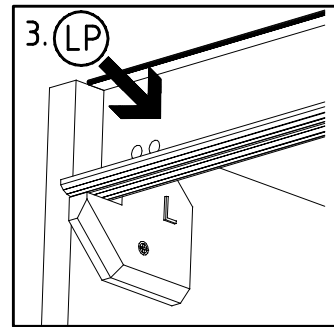
17



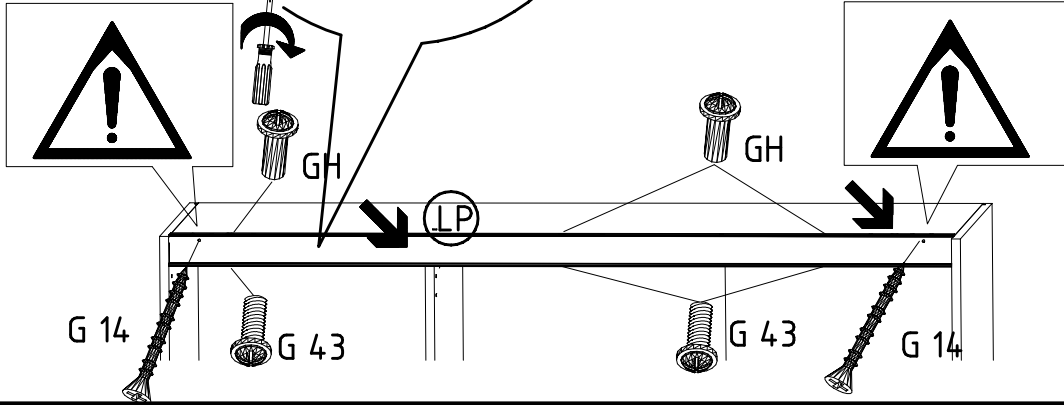
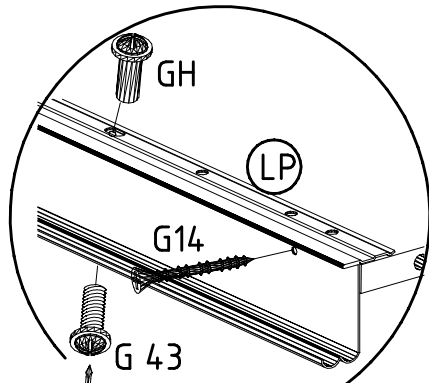
18



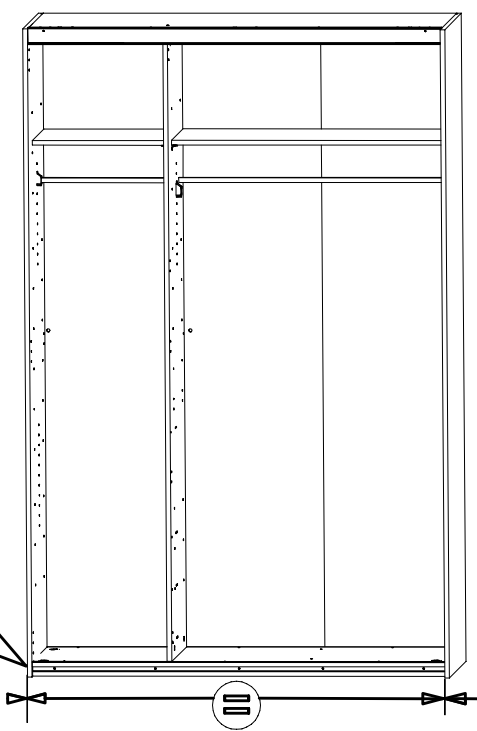
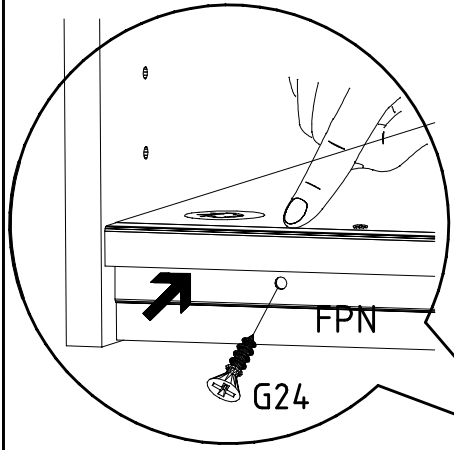
3,5 x 35 mm G14 121 375	M4 x 10 mm G43 121 xxx	M4 x 13 mm GH13 121 xxx
--------------------------------------	-------------------------------------	--------------------------------------



LP
1316/1760
2204/2648/3092/3536



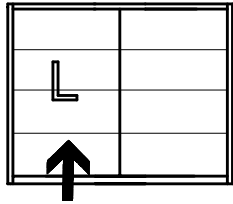
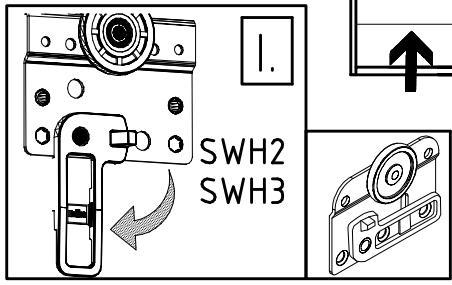
19



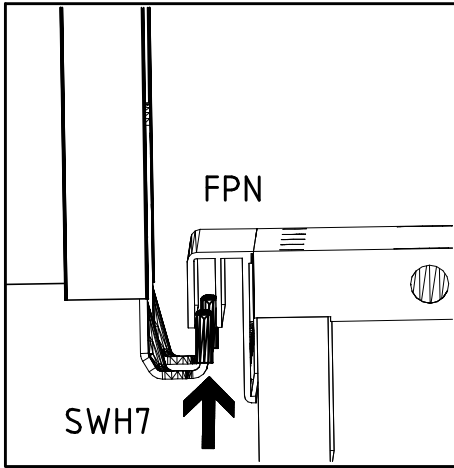
FPN
1316/1760
2204/2648/3092/3536

3,5 x 22 mm
G24
121 004

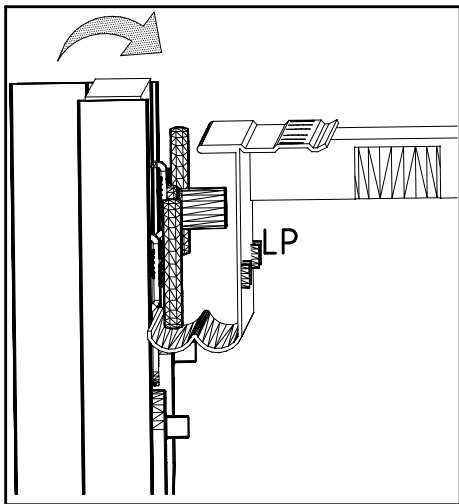
20



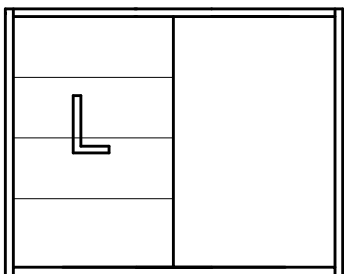
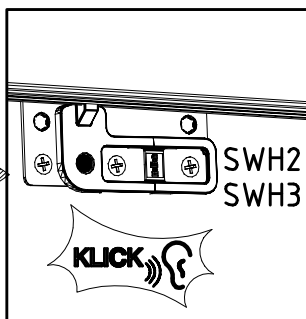
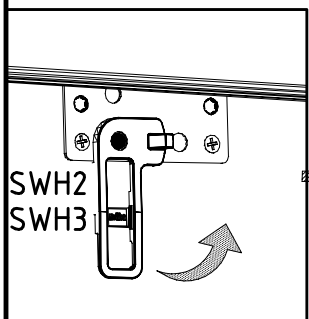
II.



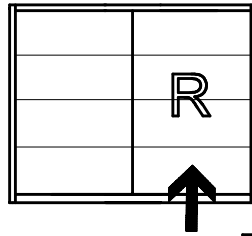
III.



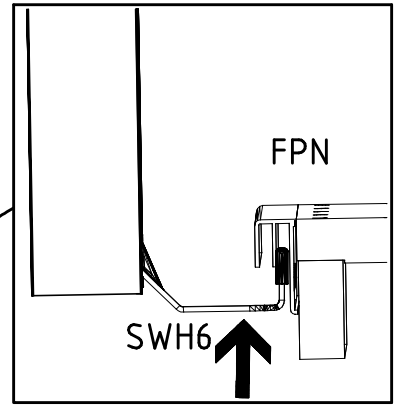
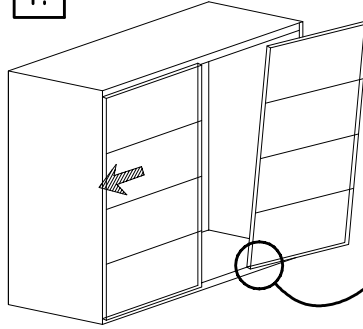
IV.



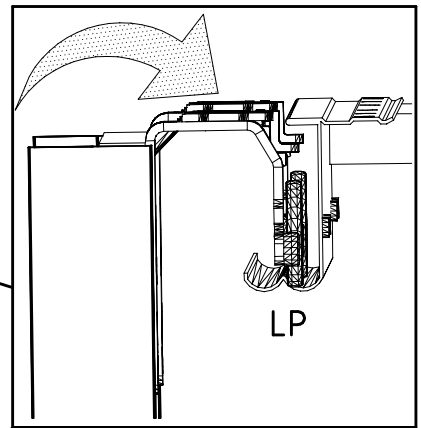
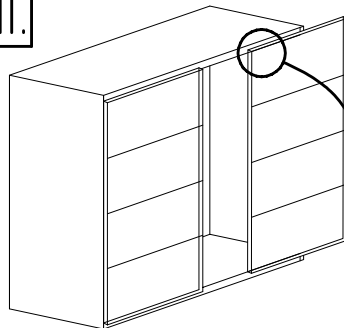
21



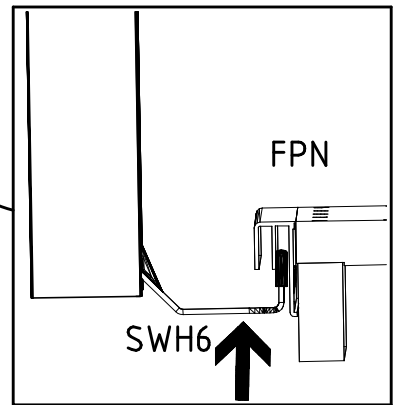
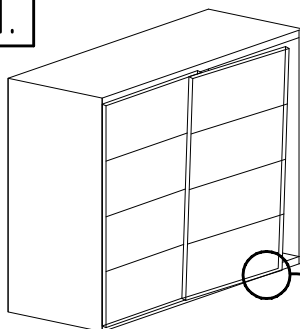
I.



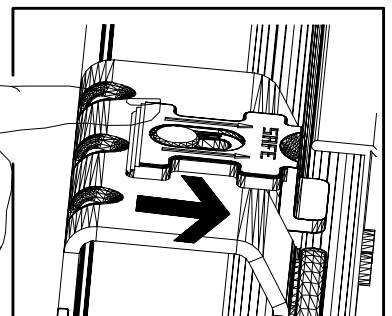
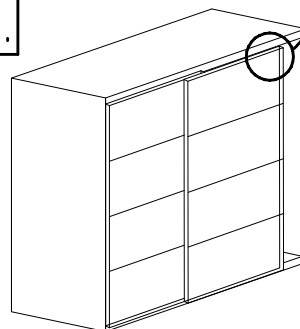
II.



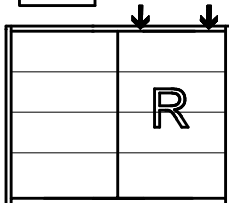
III.

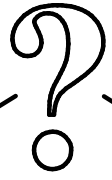


IV.

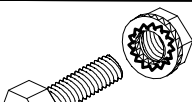


V.

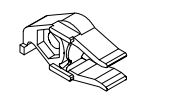
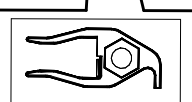
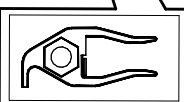
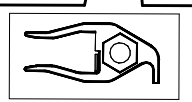
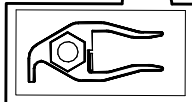
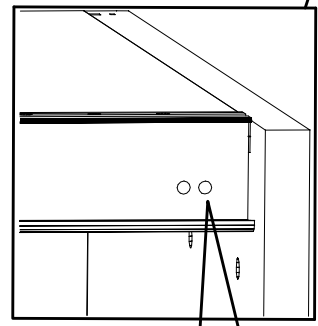
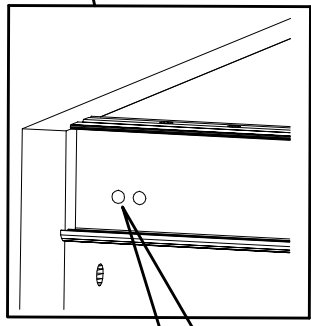
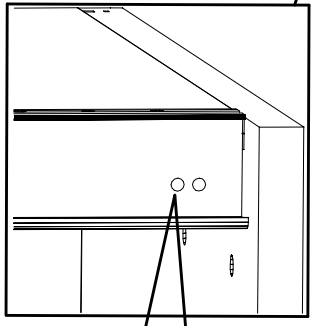
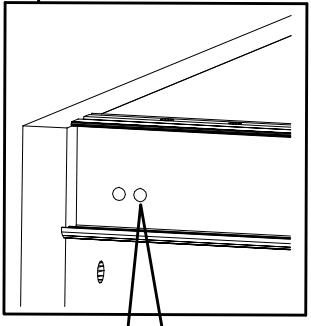
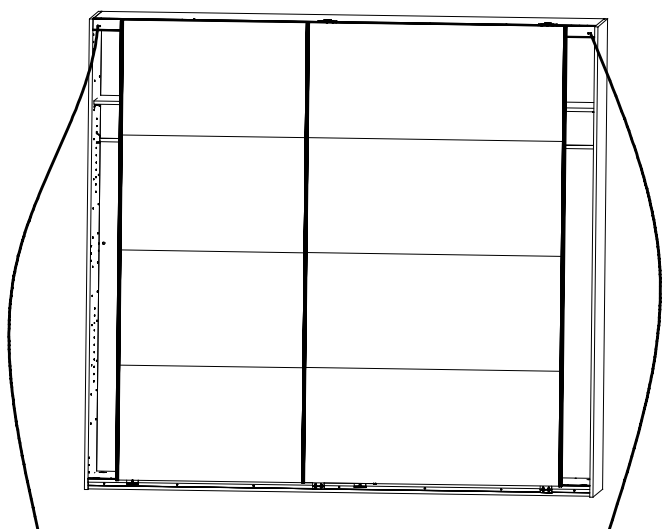
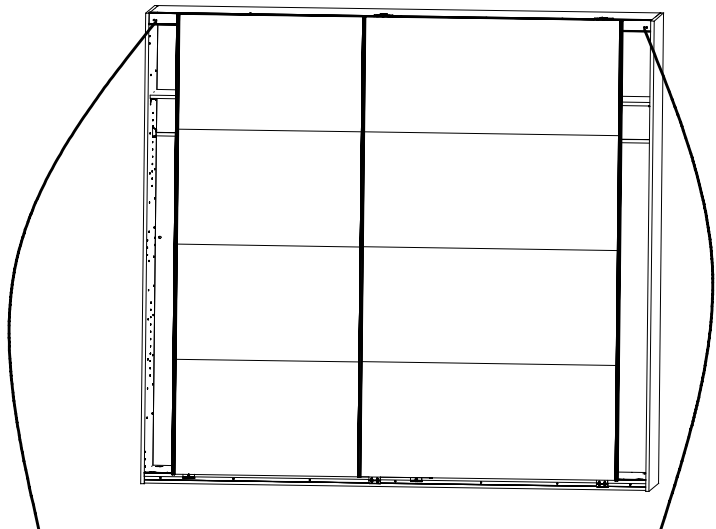
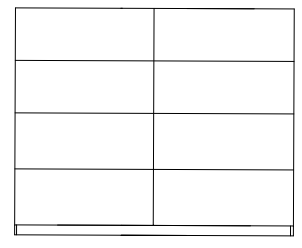
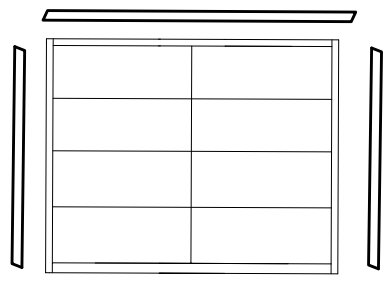
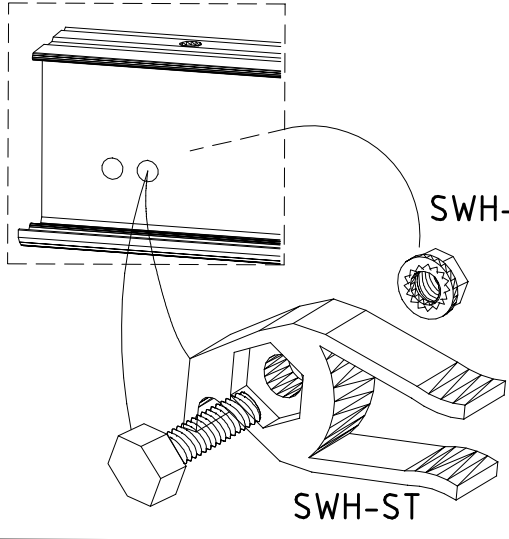




SWH-MS

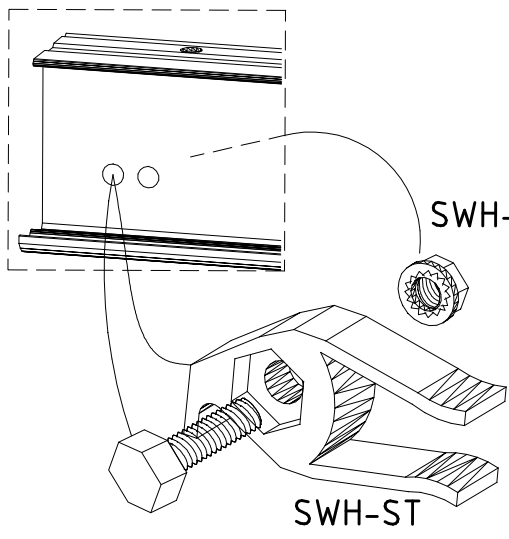


SWH-ST

SWH-MS

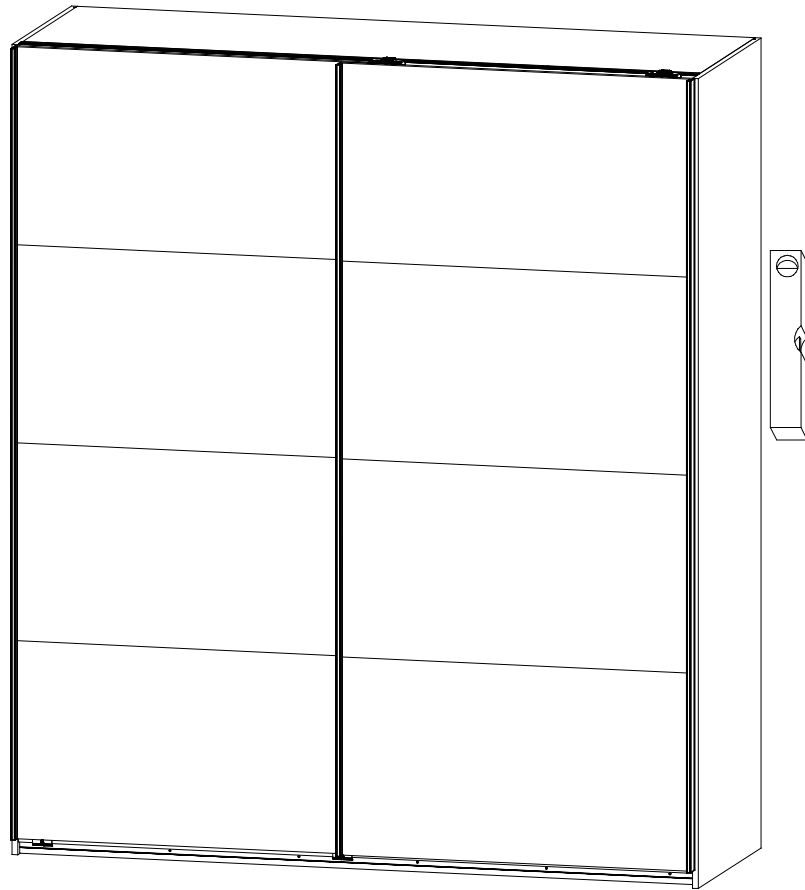
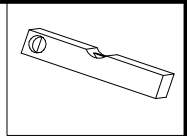
SWH-ST

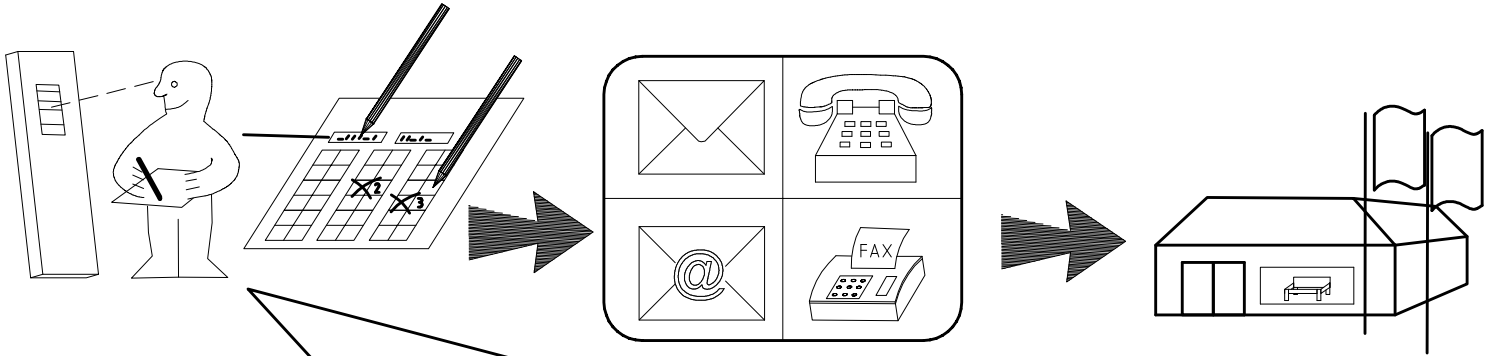
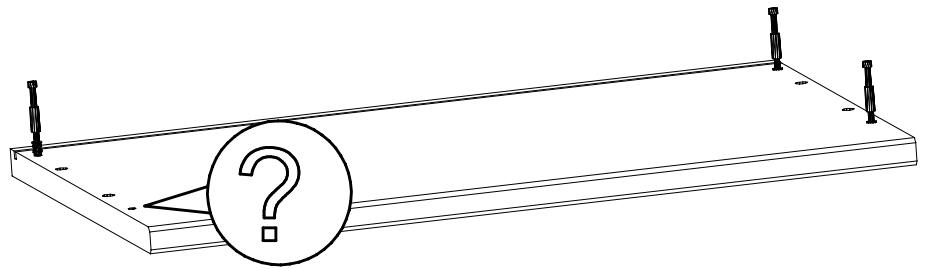
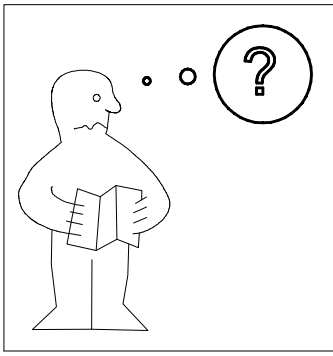


SWH-MS

SWH-ST

23





Auftrag/Order-No
No. de Commande

Kunde/Customer
Client

SWH1

SWH2

SWH3

SWH 6

SWH 7

SP13
4 X 13mm

121 122

SWH-D

SWH-SKL

SWH-SKR

SWH-ST

SWH-MS

T2
6,3 x 10,5 mm

111 030

G43
M4 x 10 mm

121 xxx

G1
3,5 x 15 mm

121 370

G24
3,5 x 22 mm

121 004

A

111 102

L7

111 610

H5

114 183

G14
3,5 x 35 mm

121 375

GH13
M4 x 13 mm

121 xxx

K1

117 001

C

111 103

J1

111 174

T6
M6 x 11 mm

121 181

K20
870mm

112 402

K21
424mm

112 403

F3

112 403

LP
1316/1760

FPN
1316/1760

