

INSTALLATION & USER MANUAL

CEILING FAN WITH LIGHT

CF003MW65ABS8LT3YT3N

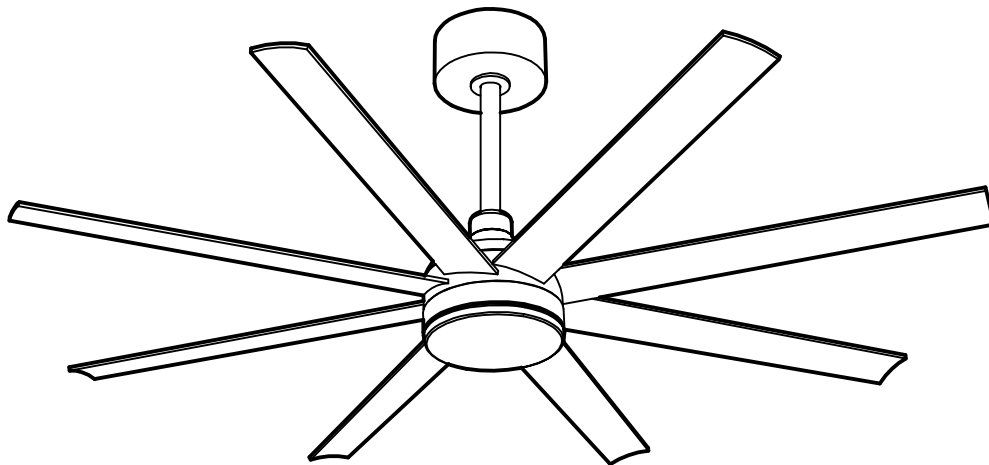



Table of Contents


Table Of Contents.....	2	Exploded View.....	4
Safety Information.....	2	Installation Instructions.....	5-11
Dimension Reference.....	3	Troubleshooting Guide.....	12
Hardware Included.....	3	Balancing Kit.....	13
Fan Parts Included.....	3		


Safety Information


READ AND SAVE THESE INSTRUCTIONS.


1. To reduce the risk of electric shock, ensure electricity has been turned off at the circuit breaker or fuse box before you begin.
2. All wiring must be in accordance with the National Electrical Code "ANSI/NFPA 70" and local electrical codes. Electrical installation should be operated by a qualified licensed electrician.
3. The outlet box and support structure must be securely mounted and capable of reliably supporting a minimum of 35 lbs (15.9 kg). Use only UL Listed outlet boxes marked "Acceptable for Fan Support of 35 lbs. (15.9 kg) or less."
4. Do not place objects in the path of the blades.
5. To clean the fixture, turn off the power, wait for it to cool, and wipe the fixture with a clean, soft cloth.
6. After making electrical connections, spliced conductors should be turned upward and pushed carefully up into the outlet box. The wires should be spread apart with the grounded conductor and the equipment grounding conductor on one side of the outlet box and ungrounded conductor on the other side of the outlet box.
7. All set screws must be checked and tightened where necessary before installation.


 **WARNING:** To reduce the risk of electrical shock or fire, not use this fan with any solid-state fan speed control device. It will permanently damage the electronic circuitry.


 **WARNING:** To reduce the risk of personal injury, do not bend the blade brackets when installing the rackets balancing the blades, or cleaning the fan.


 **WARNING:** To reduce the risk of fire, electric shock or personal injury, mount to outlet box marked "acceptable for fan support of 35 lbs. (15.9 kg) or less" and use screws provided with the outlet box.


 **WARNING:** To avoid possible electrical shock, turn the electricity off at the main fuse box before wiring.

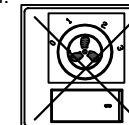
 **WARNING:** To reduce the risk of electrical shock, this must be installed with an isolating wall control / switch.


 **CAUTION:** To reduce the risk of personal injury, use only the screws provided with the outlet box.

 **CAUTION:** Please use carefully when working around or cleaning the fan to avoid injury or damage of fan.

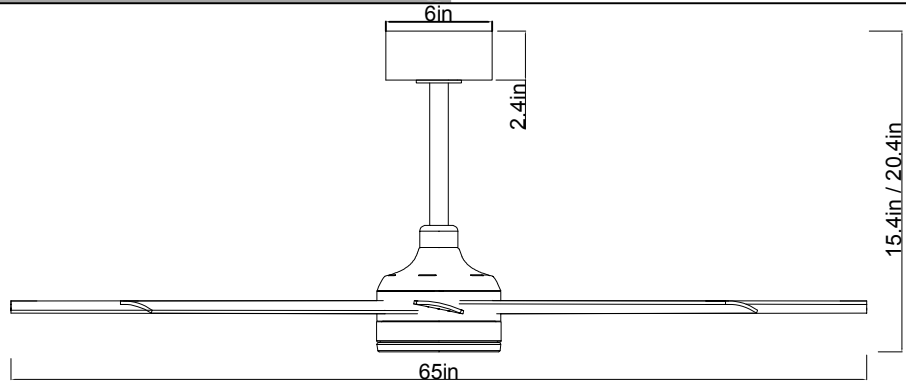
 **CAUTION:** The fan must be mounted with a minimum of 7 ft (2.1 m) clearance from the trailing edge of the blades to the floor.

 **CAUTION:** Changes or modifications not expressly approved by the party responsible for compliance could void the user's authority to operate the equipment.



 **CAUTION:** It is recommended that when installing a fan light, there is already a regulator at home, and the controller cannot be connected together.

Dimension Reference



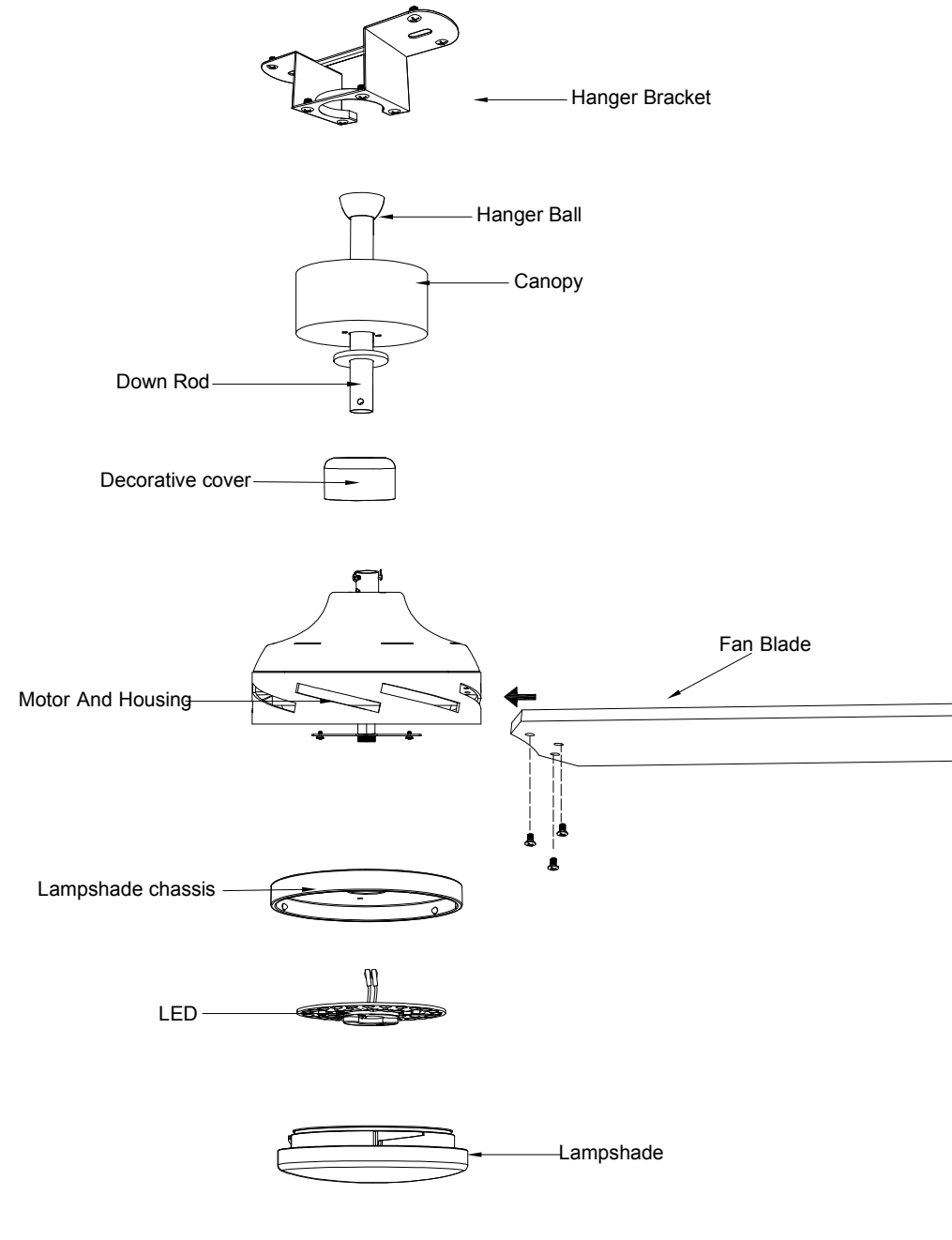
Hardware Included

Image	Label	Image	Label	Hardware Package	Quantity
	S1		S5	S1. Wire Connector	5
	S2		S6	S2. Wood Screw	4
	S3		S7	S3. Expansion Screw	2
	S4			S4. Sponge Pad	2
				S5. Balanced Patch	1
				S6. Fan Blade Screw	25
				S7. Balance Clamp	1

Fan Parts Included

Image	Image	Image	Name	Quantity
			1. Hanger Bracket	1
			2. Shout Down rod	1
			3. Long Down rod	1
			4. Canopy	1
			5. Decorative cover	1
			6. Motor And Housing	1
			7. Lampshade chassis	1
			8. LED	1
			9. Lampshade	1
			10. Remote Control (Batteries Not Included)	1
			11. Fan Blades	8

Exploded View



Installation Instructions

Step1 INSTALL THE BOOM, CANOPY AND DECORATIVE COVER

- Take out the motor assembly and pull out the pin and cotter pin , Loosen the two set screws in the down rod support of the motor assembly.(Figure 1.1)
- Insert the lower rod bracket at the top of the motor. Install the Bolt by aligning the hole in the lower rod bracket with the hole in the lower rod. Secure the Bolt with a cotter pin. Tighten the two fixing screws in the lower rod bracket.(Figure 1.2)
- Place all wires through the Decorative cover And Canopy.(Figure 1.3)
- Reattach the hanging ball to the lower rod with wires running through the hanging ball. Position the pin through the two holes of the lower rod and align the hanging ball so that the pin is caught in the groove at the top of the hanging ball. Pull the hanging ball tightly onto the pin. Securely tighten the setting screws inside the suspension ball. A loose setting screw may cause the fan to wobble. (Figure 1.4)

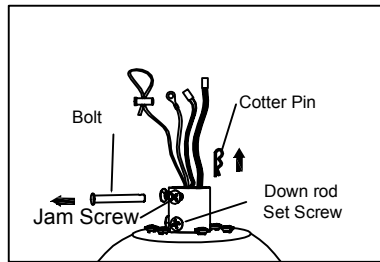


Figure 1.1

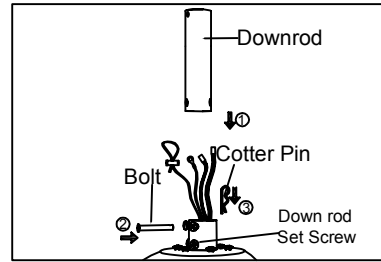


Figure 1.2

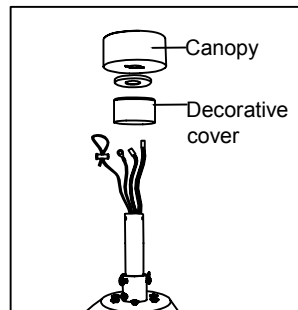


Figure 1.3

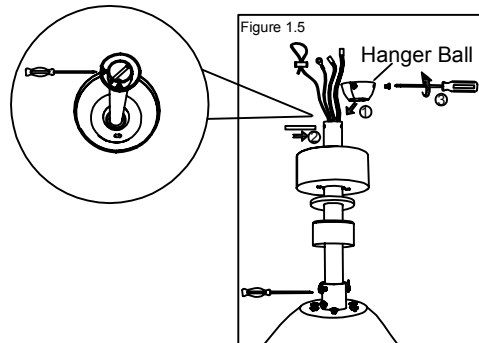


Figure 1.4

CAUTION: To ensure wobble-free operation and to avoid damage to the fan, the down rod and the set screws must be completely tightened.

Installation Instructions

Step2 INSTALL MOUNTING BRACKET

- Install J-Hook through center of outlet box and into the wooden joist (Figure 2.1).
- Secure mounting bracket and rubber gaskets to metal outlet box. Hang the safety cable onto the J-hook (Figure 2.2).
- Place the lobes in the hanger and turn the pipe so that the groove on the lobes engages the lugs on the dome (inside the hanger) , The lug groove must engage the hanger lug (Figure 2.3).

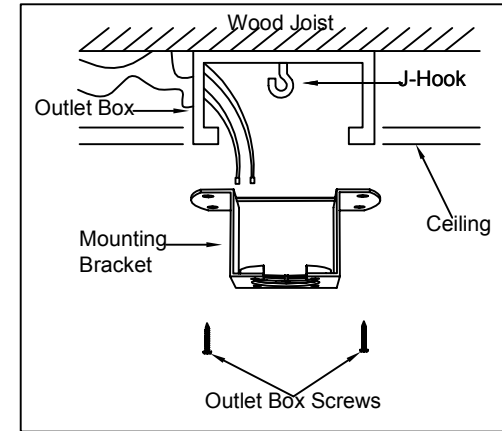


Figure2.1

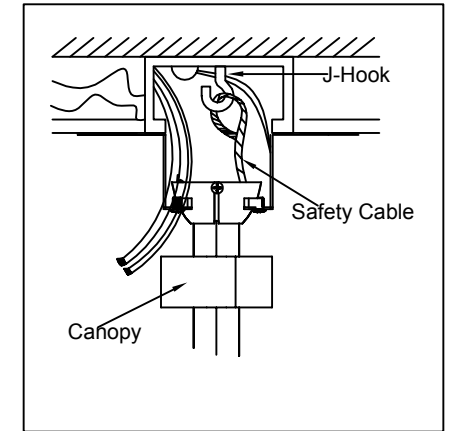


Figure2.2

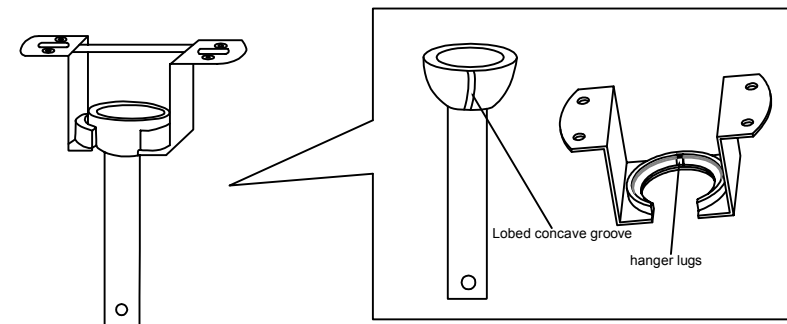


Figure2.3

NOTE: When installing fan on sloped ceiling, make sure tab on hanger bracket faces towards the top of the slope. Depending on the slope, a longer down rod may be required to prevent fan blades from hitting the ceiling.

Installation Instructions

Step3 MOUNTING BLADES TO MOTOR

- Fix the fan blades on the motor with screws in turn.

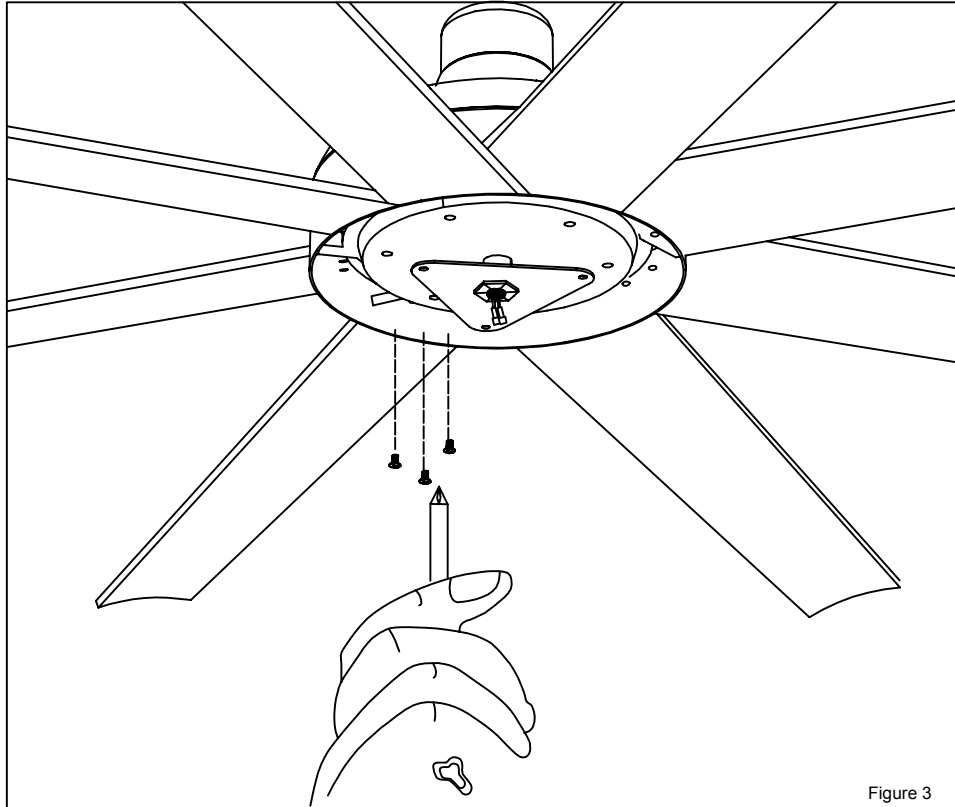


Figure 3

Installation Instructions

Step4 ELECTRICAL CONNECTION

WARNING: BE SURE TO TURN OFF POWER BEFORE INSTALLING

Make the following wire connections to the receiver unit using the wire nuts supplied. Connect GREEN fan wire to BARE (ground) wire, Connect BLACK receiver unit wire to BLACK supply wire, Connect WHITE receiver unit wire to WHITE supply wire. Light source terminal wiring and Motor wire wiring connected according to labels. After making the wire connections, ensure the wires should be spread apart with the grounded conductor and the equipment-grounding conductor on one side of the outlet box and the ungrounded conductor on the other side of the outlet box. Ensure the splices after being made should be turned upward and pushed carefully up into the outlet box. (Figure 4).

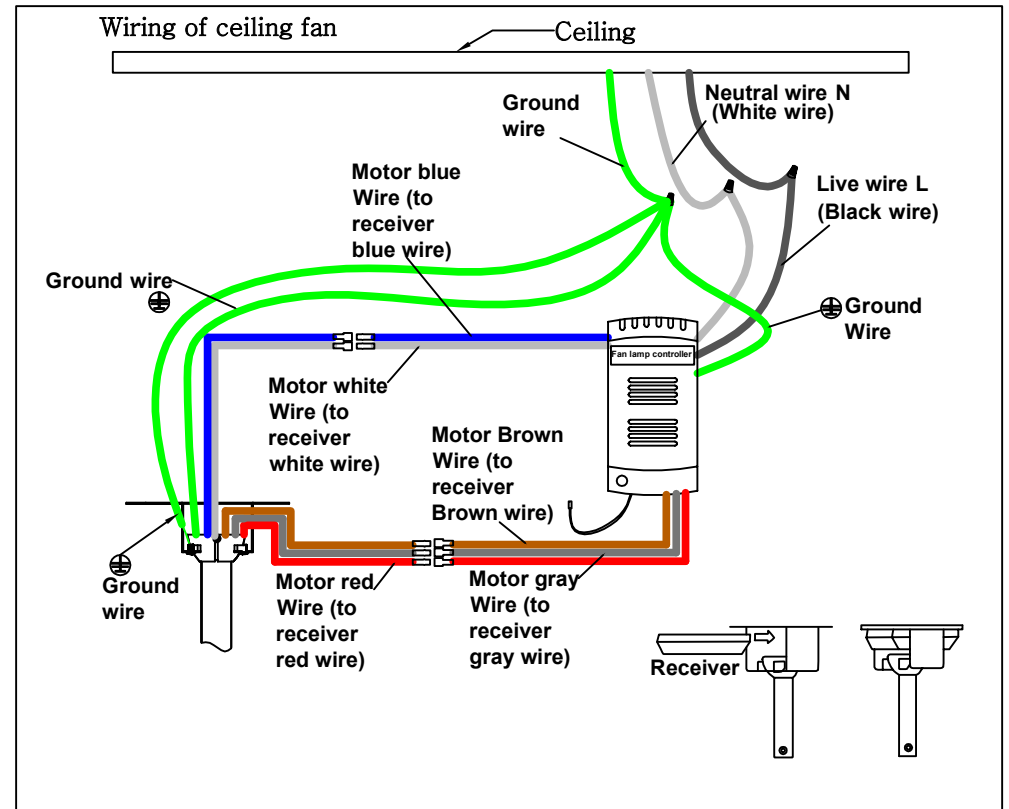
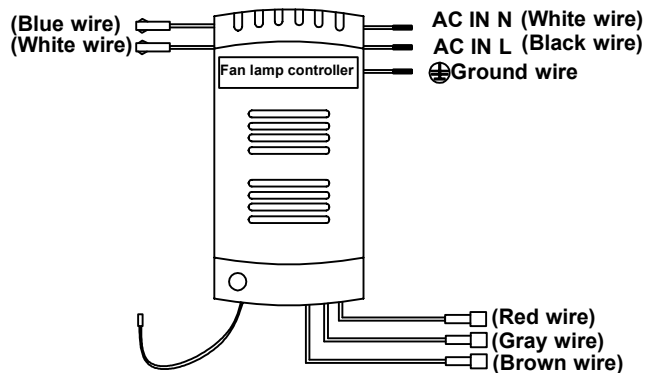


Figure 4

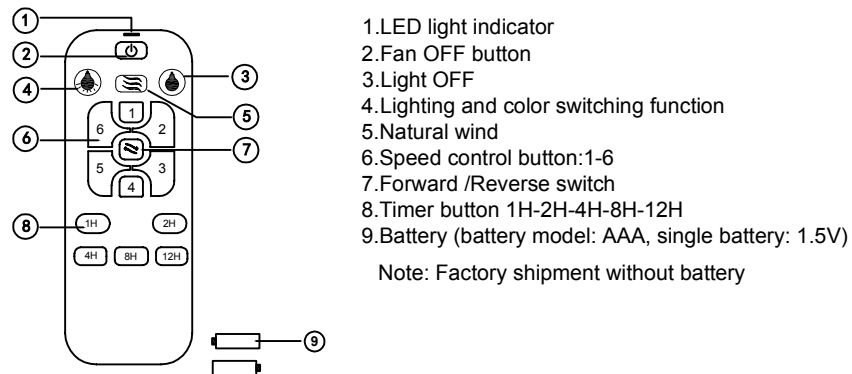
NOTE: Once ground wires are connected, carefully tuck all wires and receiver into the metal box making sure that the wires are clear of the hemisphere and down rod when positioned in hemisphere and down rod when positioned in mounting bracket.

Installation Instructions

Controller line name



Instructions for remote control



- 1.LED light indicator
- 2.Fan OFF button
- 3.Light OFF
- 4.Lighting and color switching function
- 5.Natural wind
- 6.Speed control button:1-6
- 7.Forward /Reverse switch
- 8.Timer button 1H-2H-4H-8H-12H
- 9.Battery (battery model: AAA, single battery: 1.5V)

Note: Factory shipment without battery

Tips:

1. This product has been paired before leaving the factory.If you need to pair it again, please pair it again according to the following method:After the black receiver is powered on, the music will ring. Within three seconds after the music is played, press the " (Fan Off) " fan off button, and "ding" and "ding" will ring twice. The code matching is successful .When operating the memory function of the light and fan,it is required to press the key and wait for five seconds when the memory object is selected, then turn off the power and turn on the power switch again, so that the memory function can work normally.
2. When the transmitter can't remotely control the receiver,please check if switch battery contact is normal,whether the positive and negative poles are placed correctly and the power is sufficient (the signal light can be seen as light or dark or flashing three times, please replace the battery, the two batteries must be the same brand).
3. When the transmitter cannot remotely control the receiver,please check if there are any remote control products in the vicinity, and check if their transmitter buttons are pressed, because the simultaneous transmission of the same frequency remote control products will cause interference and affect the reception.The effect of the wrong command will be normal if the remote control function is excluded.
- 4.please do not use the product where children can play when using this product.
- 5.please remove the battery from the remote control when not in use for a long time .

Installation Instructions

Step5 HOW TO INSTALL YOUR CANOPY HOUSING

Push all connected wires up into ceiling box.

- Position the receiver into the mounting bracket as shown direction. When installing the canopy, ensure the antenna is not pressed by the canopy.Ensure to connect all ground wires accordingly (Figure 5.1).
- Rotate the canopy upwards towards the screws on the hanger and tighten the screws (Figure 5.2).

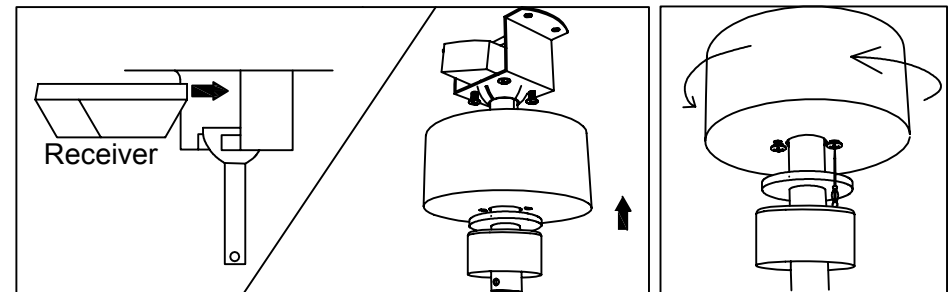


Figure 5.1

Figure 5.2

WARNING: Failure to seat tab in groove could cause damage to electrical wires and possible shock or fire hazard.

Installation Instructions

Step6 LIGHT KIT

WARNING: BE SURE TO TURN OFF POWER BEFORE INSTALLING

-Remove the screws on the iron sheet at the bottom of the motor, put the lampshade chassis up, tighten the screw.

- Connect the terminals under the motor to the LED aluminum substrate and fix the LED aluminum substrate.

- Install the lamp shade and rotate the lamp shade to the base of the lamp plate.

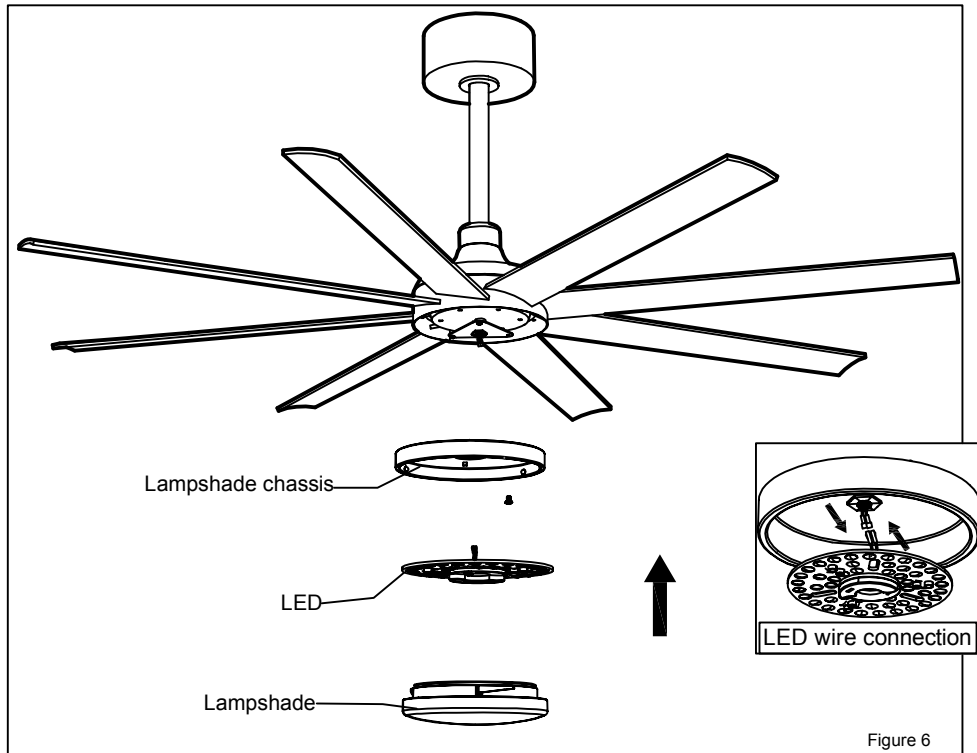


Figure 6

WARNING: Check all connections, set screws and screws are securely tightened before the next step.

Troubleshooting Guide

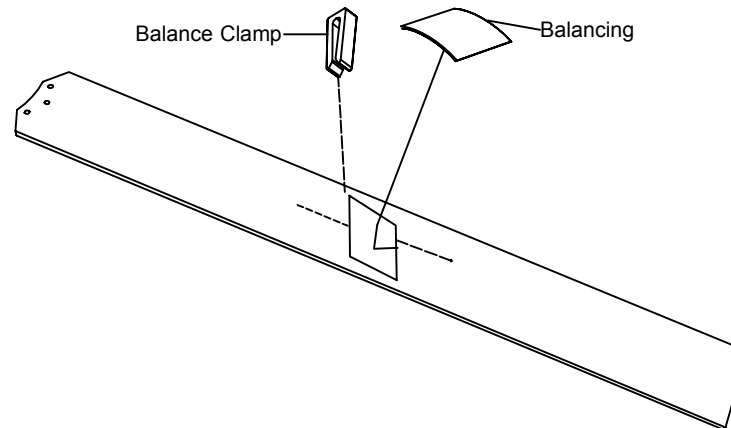
If you have difficulty operating your new ceiling fan it may be the result of incorrect assembly, installation, or wiring. In some cases these installation errors may be mistaken for defects. If you experience any faults please check this troubleshooting guide.

	Problem	Suggested Remedy
1	If fan does not work.	<input type="checkbox"/> Check the fuses or circuit breakers of the main and branch circuits. <input type="checkbox"/> Check the wiring connections to the fan and the switch wiring connections in the switch housing. <input type="checkbox"/> Check the battery in the remote control.
2	If fan sounds noisy.	<input type="checkbox"/> Ensure all motor housing screws are snug. <input type="checkbox"/> Ensure the screws that attach the fan blade bracket to the motor hub are tight. <input type="checkbox"/> Ensure the wire nut connections are not rattling against each other or the interior wall of the switch housing. <input type="checkbox"/> Allow a 24-hour "breaking in" period. Most noises associated with a new fan disappear during this time. <input type="checkbox"/> If you are using the Ceiling Fan light kit, ensure the screws securing the glassware are tight. Check that the light bulbs are also secure. <input type="checkbox"/> Ensure the canopy is a short distance from the ceiling. It should not touch the ceiling. <input type="checkbox"/> Ensure your outlet box is secure and rubber isolation pads were used between the mounting plate and outlet box.
3	If fan wobbles.	<input type="checkbox"/> Check that all blades are screwed firmly into blade holders. <input type="checkbox"/> Check that all blade holders are tightened securely to motor. <input type="checkbox"/> Make sure that canopy and mounting bracket are tightened securely to ceiling junction box and junction box is mounted firmly to ceiling joist. <input type="checkbox"/> Most fan wobble problems are caused when blade levels are unequal. Check this level by selecting a point on the ceiling above the tip of one of the blades keeping measure within 1/8 in. Rotate the fan until the next blade is positioned for measurement. Repeat for each blade. If all blade levels are not equal you can adjust blade levels by the following procedure. To adjust a blade tip down insert a washer (not supplied) between the blade and blade holder at the screw closest to the motor. To adjust a blade tip up insert washer (not supplied) between the blade and blade holder at the two screws farthest the motor. <input type="checkbox"/> If blade wobble is still noticeable, interchanging two adjacent (side by side) blades can re-distribute the weight and possibly result in smoother operation.
4	If light does not work.	<input type="checkbox"/> Check blue wire from fan to make sure it is connected to hot wire from the house. <input type="checkbox"/> Check for loose or disconnected wires in fan switch housing. <input type="checkbox"/> Check for loose or disconnected wires in light kit. <input type="checkbox"/> Check for faulty light bulbs. CAUTION: Make sure main power is turned off before entering switch housing. <input type="checkbox"/> If the fan light shuts off shortly after being switched on it may be due to excessive current demand. Turn off power to the fan and replace the light bulbs with lower wattage bulbs. Turn on power to the fan using the pull chain, wall switch, or remote control (whichever is installed on the particular fan).

Balancing Kit

The balancing kit should only be used if there is an unacceptable amount of fan wobble after completing all the steps in your Owners Manual under "Attaching The Fan Blades."

1. Turn the fan on and set the speed control setting to a speed at which the wobbles is the greatest.
2. Turn off the fan and allow it to come to a complete stop. Select one blade and place the balance clip on it, halfway between the blade holder and the blade tip on the trailing edge of blade.
3. Turn the fan on. Note whether the wobble has increased or decreased. Turn the fan off, move the clip to another blade, and retest. Repeat this procedure on all blades noting the blade on which the greatest improvement is achieved.
4. Move the clip back to the blade that showed the greatest improvement. Move the clip inward and outward on this blade and operate the fan to find the position where the clip gives the greatest improvement.
5. Remove the clip and install a balancing weight to the top of blade along the center line near the point where the clip was positioned.
6. If the fan wobble problem has not been corrected you may wish to try to improve the balancing further by using the balancing clip and additional weights.



Warm Tips: the Maintenance of Ceiling Fans

1. Because the ceiling fan always runs, please check regularly whether the hanger, fan blade, leaf rack and other parts are loose, if not, please fasten it in time to ensure it run with safety.
2. Keep ceiling fans clean regularly. Only use a soft brush or a lint-free cloth to clean it gently. Do not use a damp cloth or other destructive cleaner.
3. Don't add lubricating oil or lubricant to any part of this product.