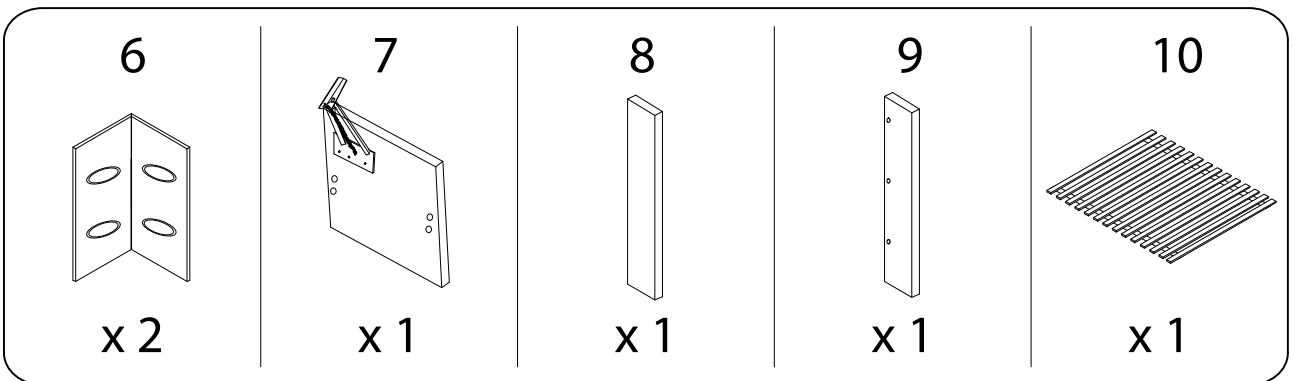
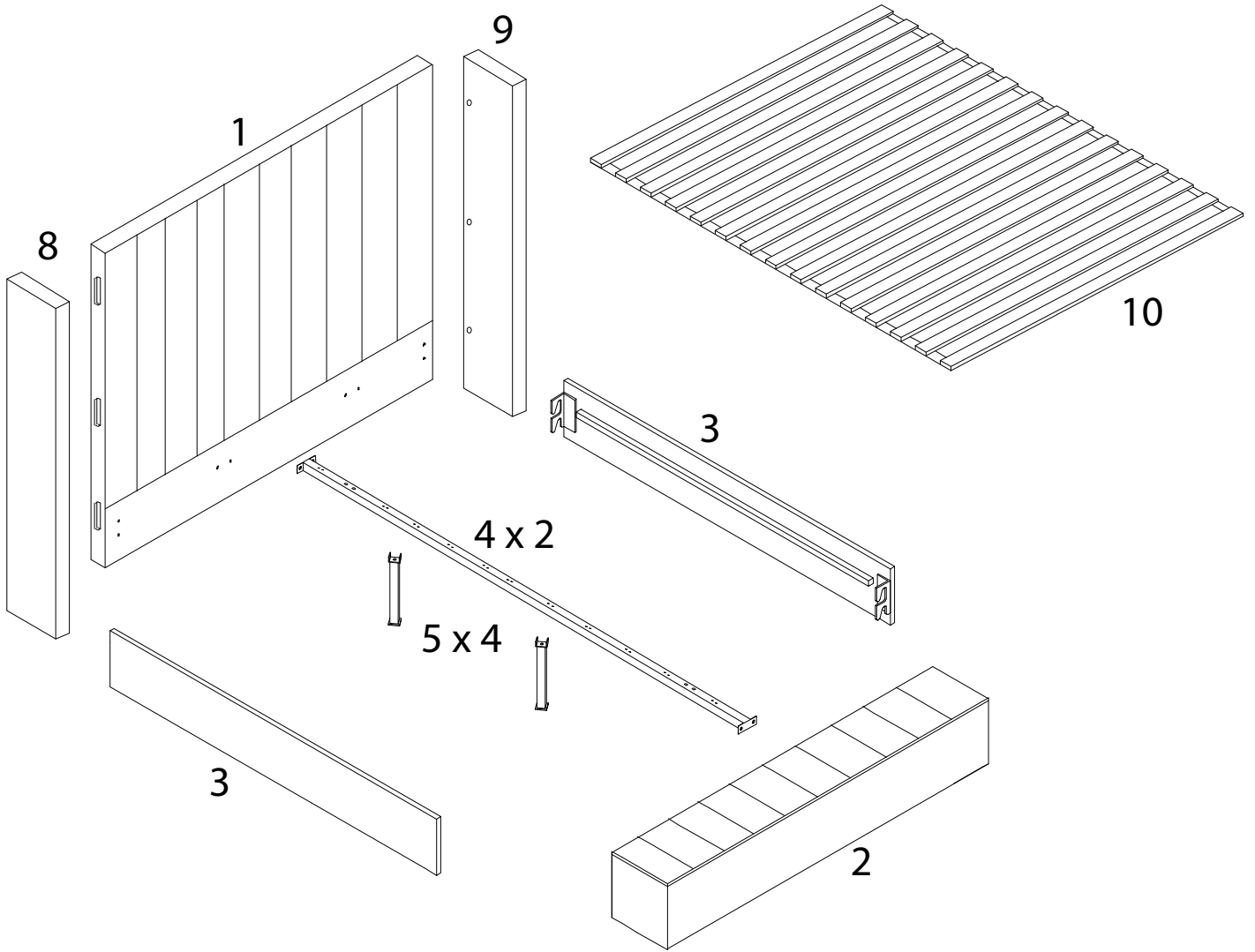
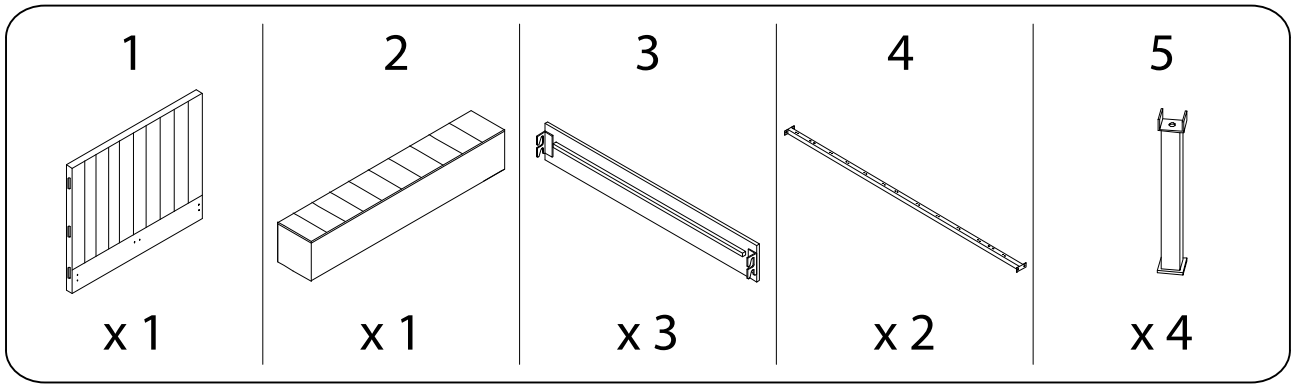
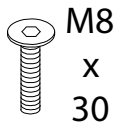


Diagram illustrating assembly instructions and safety warnings:

- Warning 1:** A warning triangle with an exclamation mark is positioned above a box containing an L-shaped metal bracket and a crossed-out power drill icon, indicating that a power drill should not be used for this step.
- Warning 2:** A second warning triangle with an exclamation mark is positioned above a box containing a rectangular block being placed on a surface and a crossed-out icon of a block being lifted, indicating a lifting or placement warning.
- Time:** A clock icon is shown next to the text "40'", indicating the estimated assembly time.
- Personnel:** An icon of a person is shown next to the number "2", indicating that two people are required for assembly.

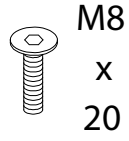


A



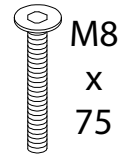
x 12

B



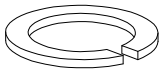
x 10

C



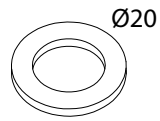
x 6

D



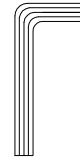
x 8

E



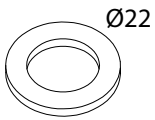
x 22

F



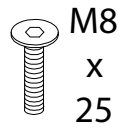
x 1

G



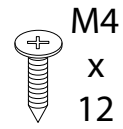
x 6

H





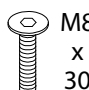

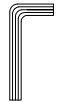
x 8

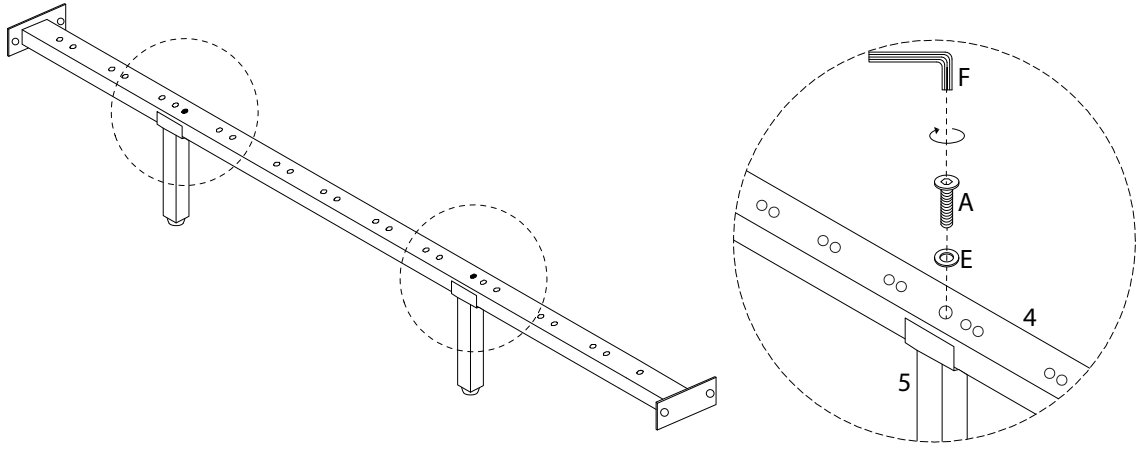
I



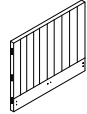
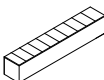
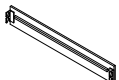
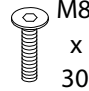

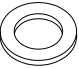
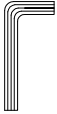
x 6

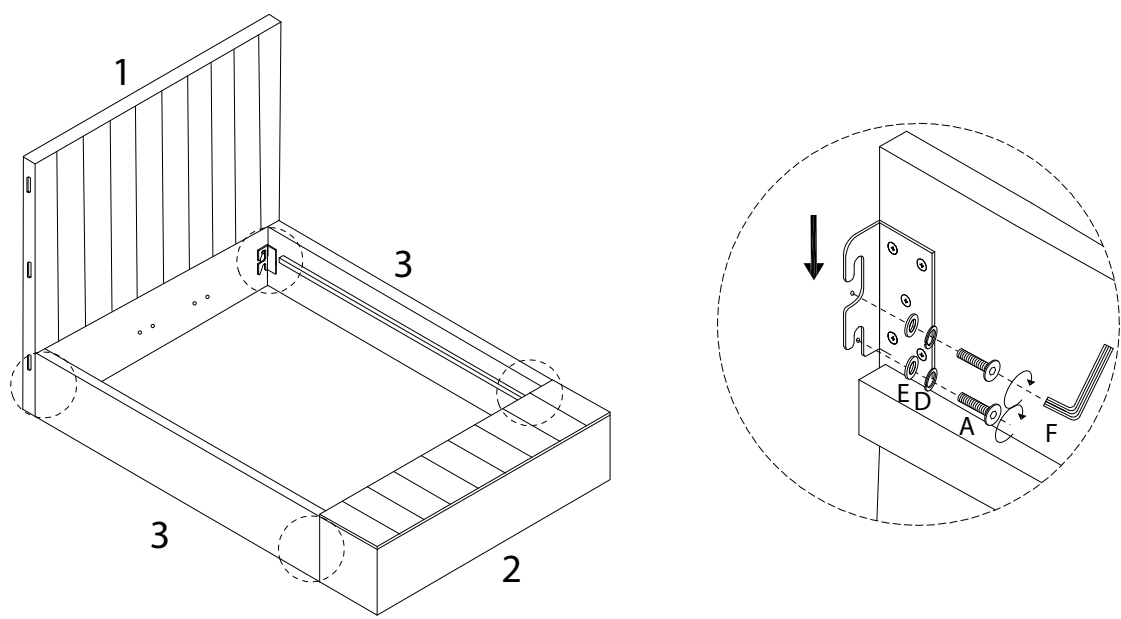
1 x 2

4  x 1	5  x 2	A  x 2	E  x 2	F  x 1
------------------------------------------------------------------------------------------------------	------------------------------------------------------------------------------------------------------	------------------------------------------------------------------------------------------------------	--------------------------------------------------------------------------------------------------------	--------------------------------------------------------------------------------------------------------

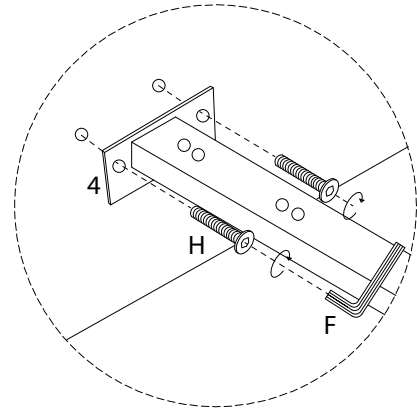
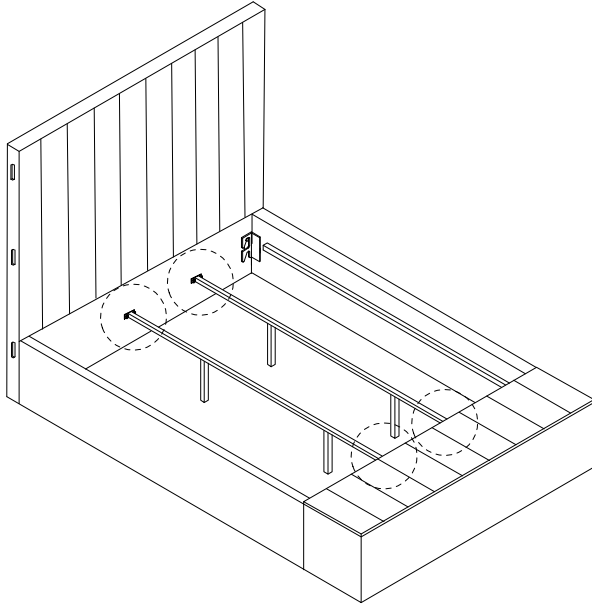
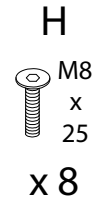
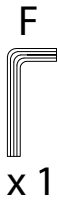


2

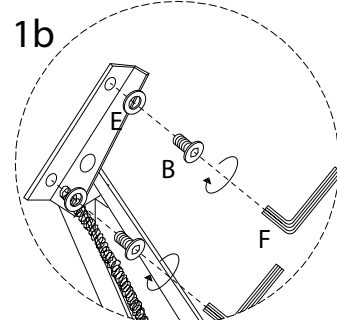
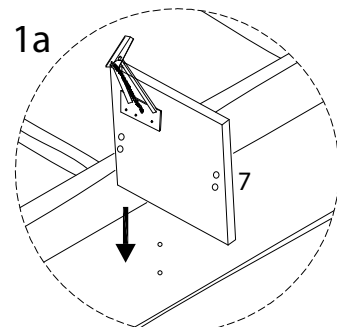
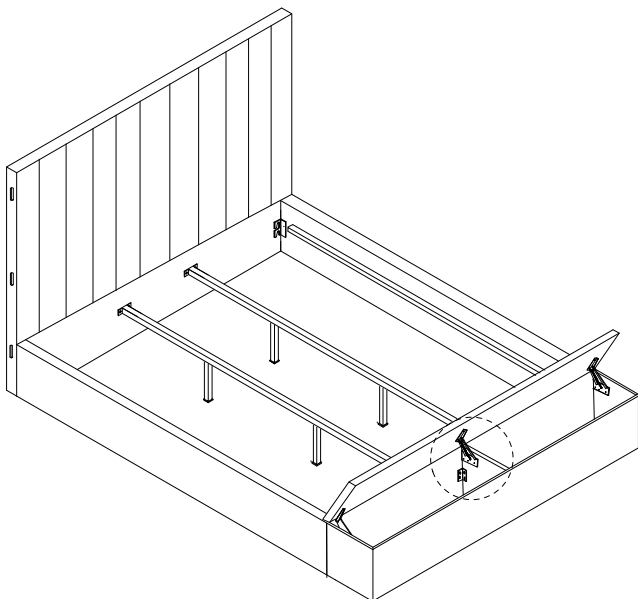
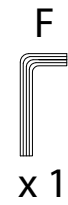
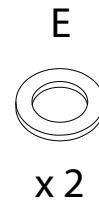
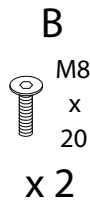
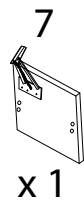
1  x 1	2  x 1	3  x 2	A  x 8	D  x 8	E  x 8	F  x 1
--------------------------------------------------------------------------------------------------------	--------------------------------------------------------------------------------------------------------	--------------------------------------------------------------------------------------------------------	--------------------------------------------------------------------------------------------------------	---------------------------------------------------------------------------------------------------------	----------------------------------------------------------------------------------------------------------	----------------------------------------------------------------------------------------------------------



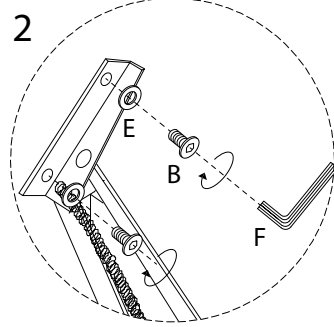
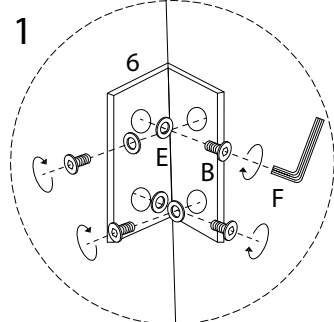
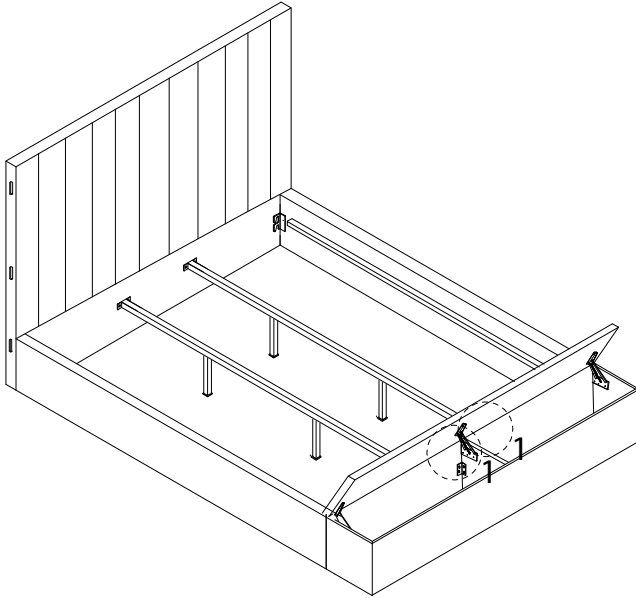
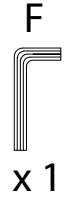
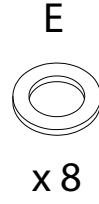
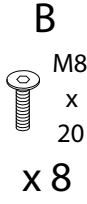
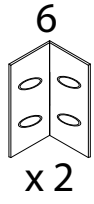
3



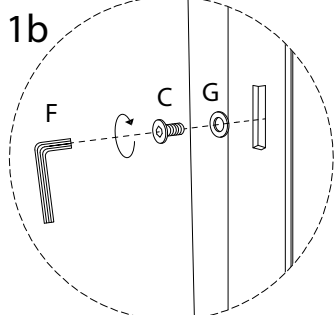
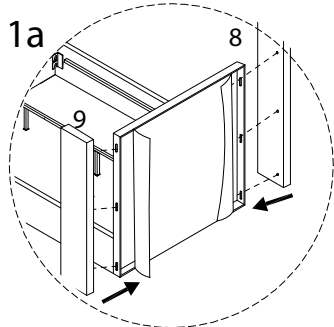
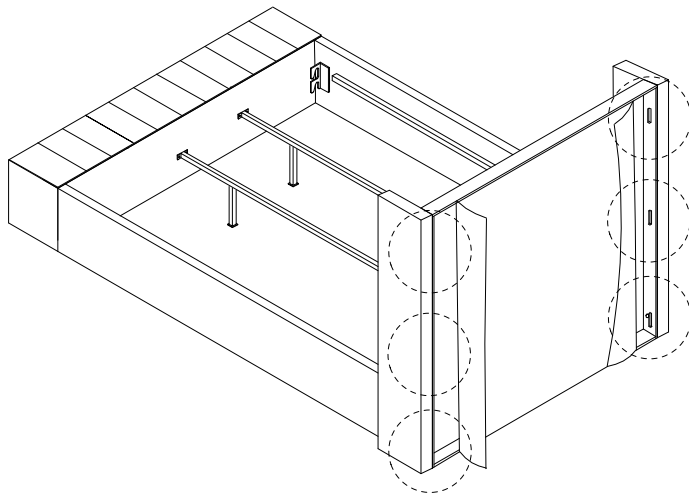
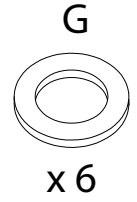
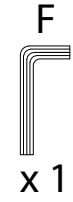
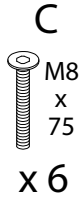
4



5

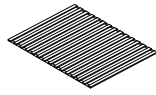


6



7

10



x 1

K



x 6

