











Assembly Instructions

Caution: You must read this before you proceed

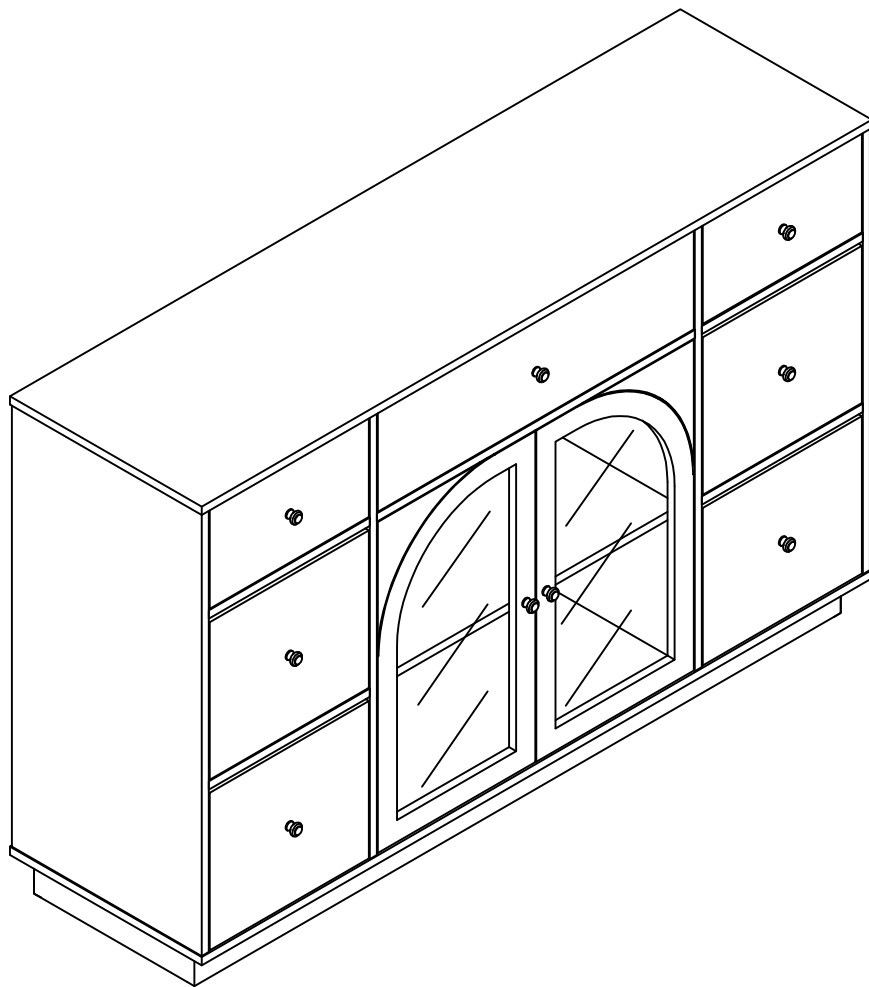
Care & Maintenance

| | |
|--|--|
|  | <ul style="list-style-type: none">● Not for commercial use. For residential use only. |
|  | <ul style="list-style-type: none">● Do not put hot items directly on furniture surface. |
|  | <ul style="list-style-type: none">● Do not clean furniture with harsh cleansers or polish. |
|  | <ul style="list-style-type: none">● Do not place furniture under direct sunlight. |
|  | <ul style="list-style-type: none">● Do not place furniture near heating or cooling vents. |
|  | <ul style="list-style-type: none">● Do not write on furniture without a padded barrier to protect the surface. |
|  | <ul style="list-style-type: none">● Do not place furniture outside . For indoor use only. |
|  | <ul style="list-style-type: none">● Stains may be removed with mild soap solution and damp cloth. |
|  | <ul style="list-style-type: none">● Children should not climb or jump on the furniture. |
|  | <ul style="list-style-type: none">● Dust and pick-up spills using a clean, non-colored, lint-free cloth. |

Please look in Corner of carton for hardware packs .

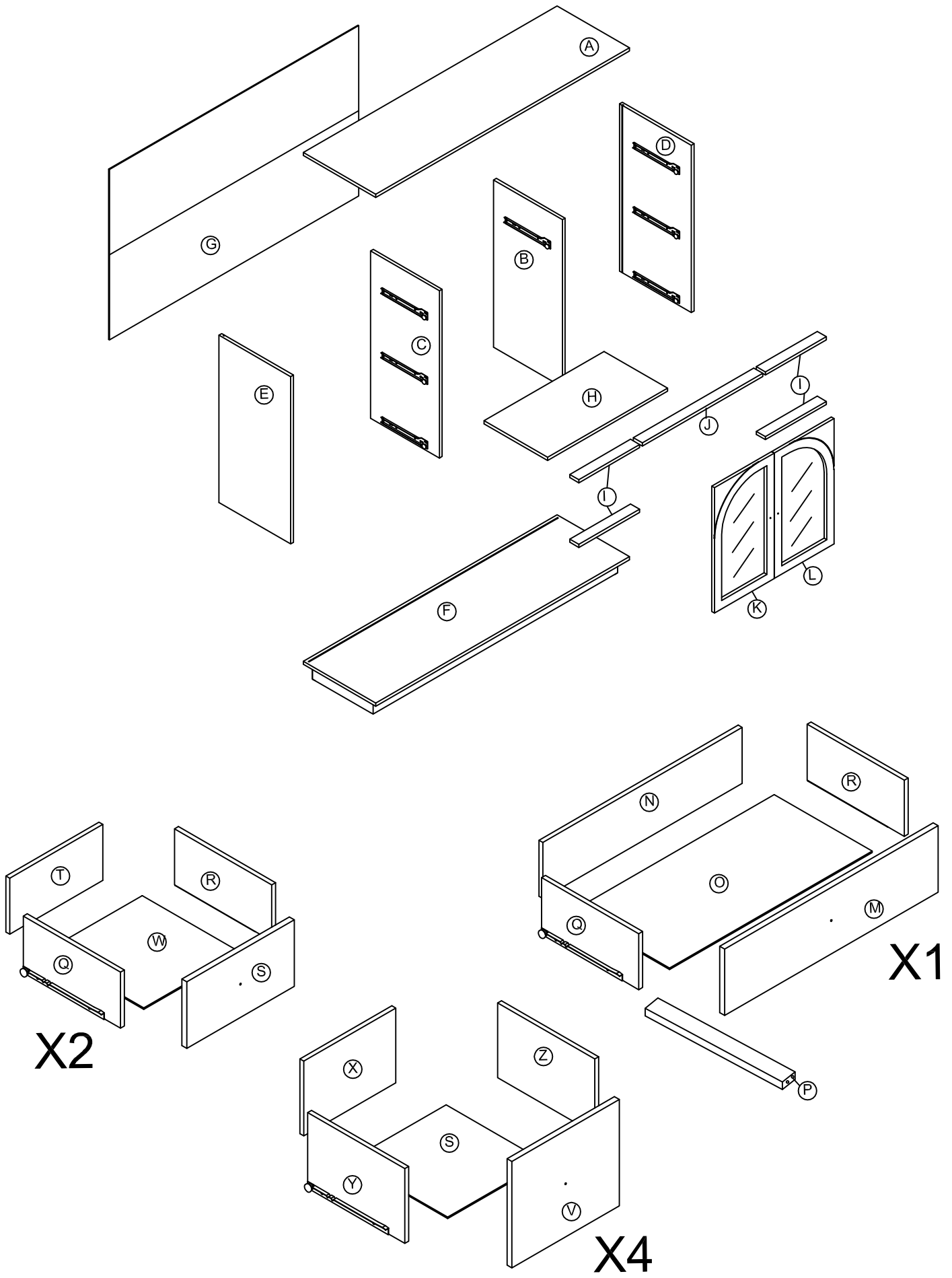
Sets often ship in multiple boxes and may arrive a day or two apart.

ASSEMBLY INSTRUCTION



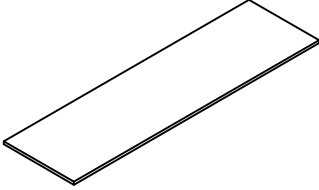
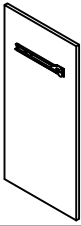



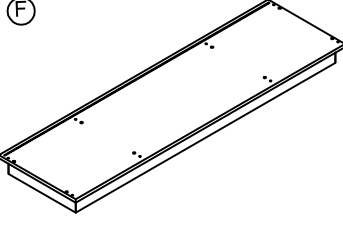
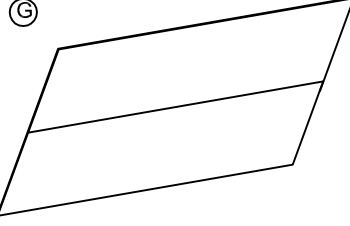
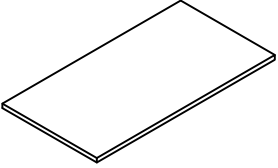
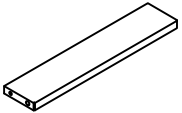
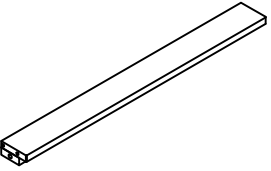
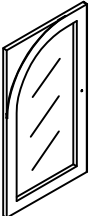
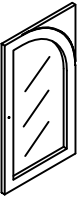
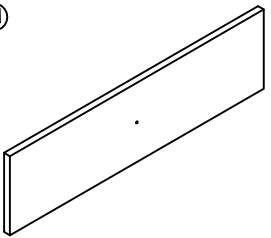
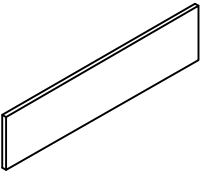
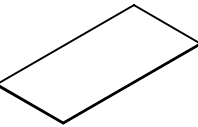

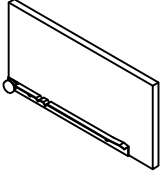
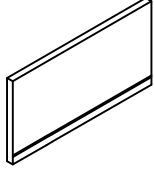
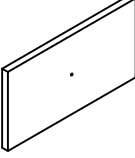
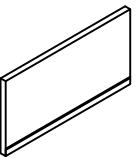
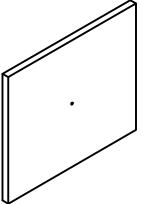
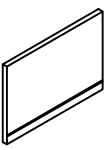
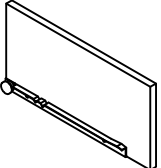
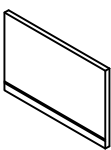
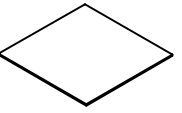
2 - People

ASSEMBLY INSTRUCTION



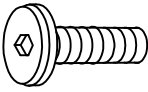
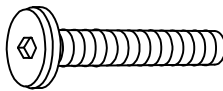

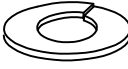


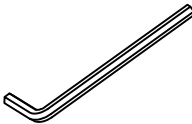
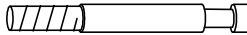

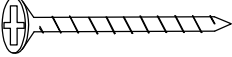

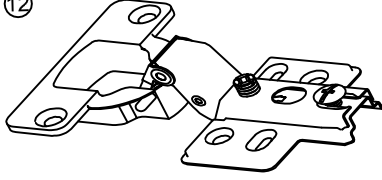


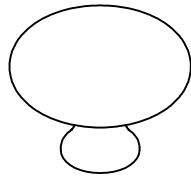
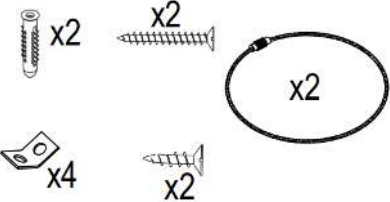
ASSEMBLY INSTRUCTION

Pack List

| | | | | |
|---|---|--|---|---|
|  |  |  |  | |
| Table Top =1pc | Right Middle Panel=1pc | Left Middle Panel=1pc | Right Side=1pc | |
|  |  |  |  | |
| Left Side=1pc | Bottom=1pc | Back =1pc | Shelf =1pc | |
|  |  |  |  | |
| Short Crossbar=4pcs | Long Crossbar=1pc | Left Doors =1pc | Right Doors =1pc | |
|  |  |  |  | |
| Long Front Drawer=1pc | Long Back of drawer =1pc | Bottom of Middle Drawer=1pc | Support Of Middle Drawer =1pc | |
|  |  |  |  | |
| Upper Left side drawer =3pcs | Upper Right side drawer =3pcs | Upper Front Drawer=2pcs | Upper back drawer =2pcs | |
|  |  |  |  |  |
| Lower Front Drawer=4pcs | Lower back drawer =4pcs | Lower Left side drawer =8pcs | Lower Right side drawer =8pcs | Lower Bottom side drawer =4pcs |

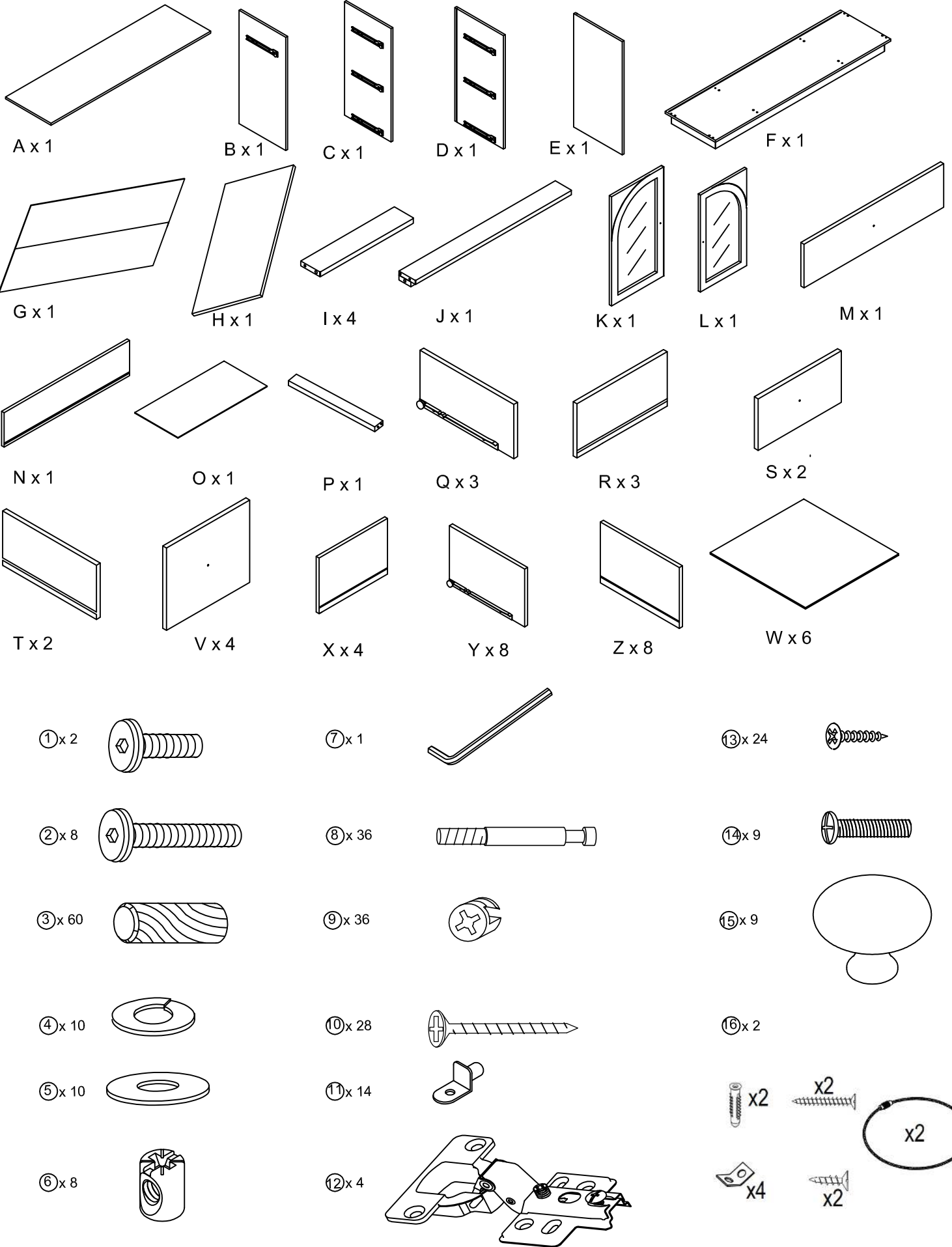
ASSEMBLY INSTRUCTION

Pack List

| | | |
|--|--|--|
| <p>①</p>  | <p>②</p>  | <p>③</p>  |
| <p>Short Bolong 1/4" x 25mm= 2pcs +Extra 1pc</p> | <p>Long Bolong 1/4" x 38mm = 8pcs +Extra 1pc</p> | <p>Wooden Dowel Ø6 x 30mm =60pcs +Extra 2pcs</p> |
| <p>④</p>  | <p>⑤</p>  | <p>⑥</p>  |
| <p>Spring Washer =10pcs +Extra 1pc</p> | <p>Flat Washer =10pcs +Extra 1pc</p> | <p>T Nut 10 x 12 =8pcs +Extra 1pc</p> |
| <p>⑦</p>  | <p>⑧</p>  | <p>⑨</p>  |
| <p>Allen Key K4 x 80 =1pc +Extra 1pc</p> | <p>Cam Bolt M6x 28mm =36pcs + extra 1pc</p> | <p>Camlock Ø15 x 10mm =36pcs+ extra 1pc</p> |
| <p>⑩</p>  | <p>⑪</p>  | <p>⑫</p>  |
| <p>Flat screw M4 x 25 =28PCS +Extra 2pcs</p> | <p>Support Shelf =4PCS +Extra 1pc</p> | <p>Hinge =4PCS</p> |
| <p>⑬</p>  | <p>⑭</p>  | <p>⑮</p>  |
| <p>Flat screw M3 x 15 =24PCS +Extra 2pcs</p> | <p>Bolt of Handle M4 x 20 =9pcs +Extra 1pc</p> | <p>Knob =9pcs</p> |
| <p>⑯</p>  | | |
| <p>ANTITIP KIT =2SETS</p> | | |

Assembly Preparation

Before Beginning Assembly:



Assembly Preparation

Before Beginning Assembly:



- Read instructions, cover to cover-



- Have 2 adults on hand for assembly-



- Do not assemble on flooring or carpet-



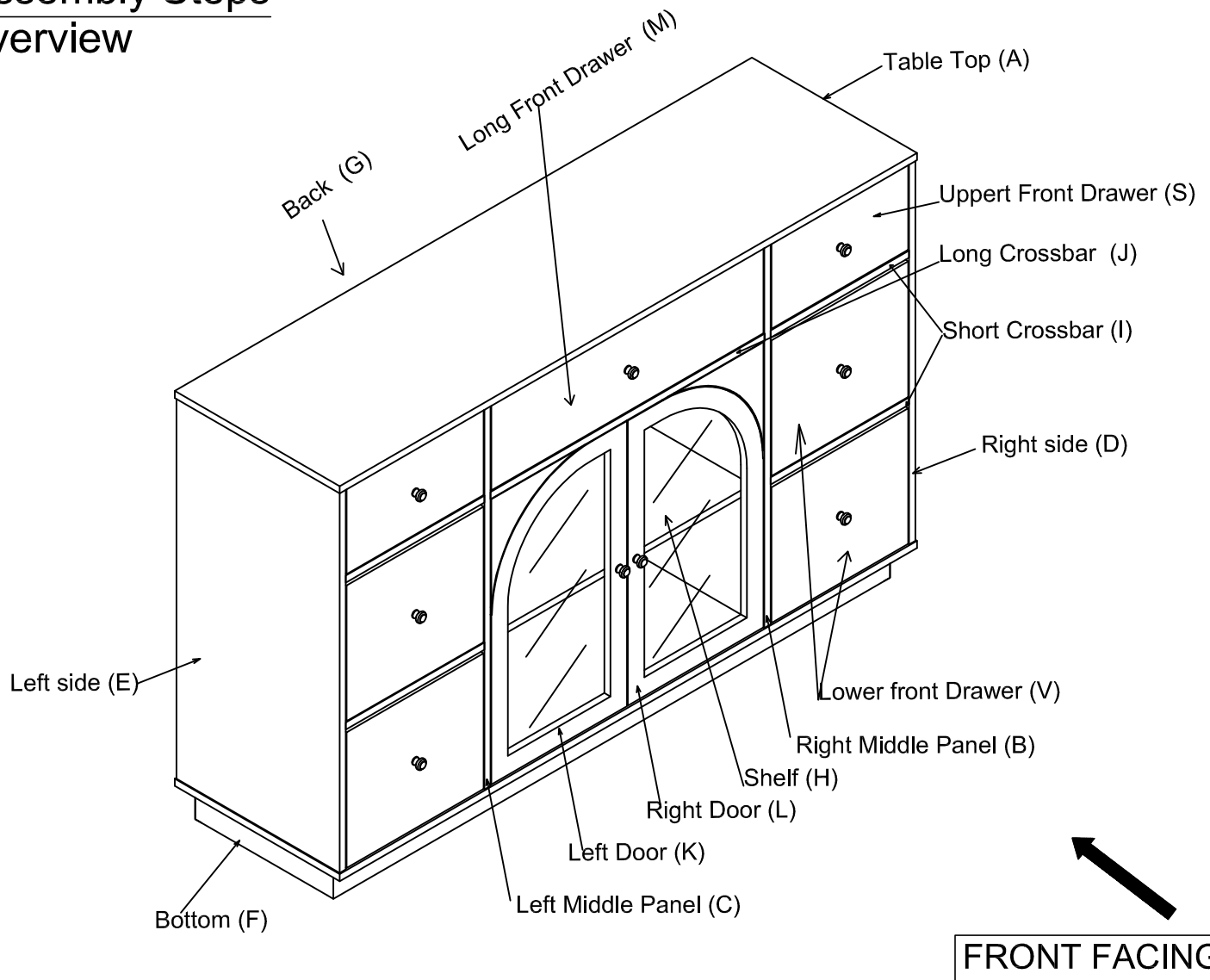
- Assemble on a clean non-marring surface (packing foam)-



- Save all packaging until finished-

Assembly Steps

Overview



This Sideboard has multiple parts and may require up to some 75 minutes to assemble. To give you an overview of the Sideboard parts, the above picture is to help you put the various parts into perspective. Please read through the instructions below to familiarise yourself with the parts and steps before assembly.

Assembly Preparation

Before Beginning Assembly:

Cam Lock Assembly Instructions

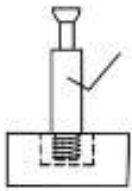
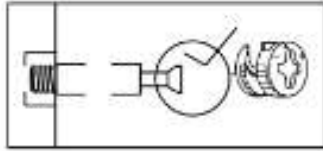


Diagram A



Insert Cam Bolt into hole as shown in diagram A.

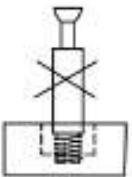
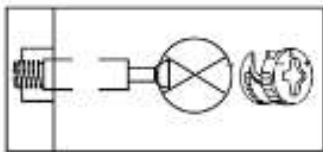


Diagram B



Make sure not to insert the Cam Bolt: Too deep as shown in figure B as this will cause the Cam Lock to be misaligned and unable to interlock properly.

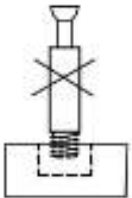
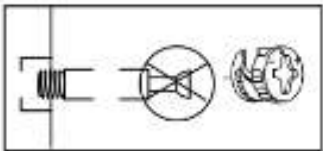
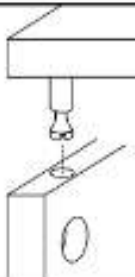


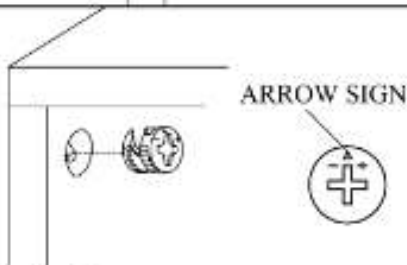
Diagram C



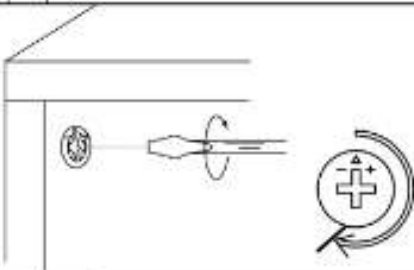
Also avoid inserting the Cam Bolt too close to the surface of the hole as shown in figure C, as this will cause the Cam Lock to be too loose, and not interlock properly.



Connect the panels together.



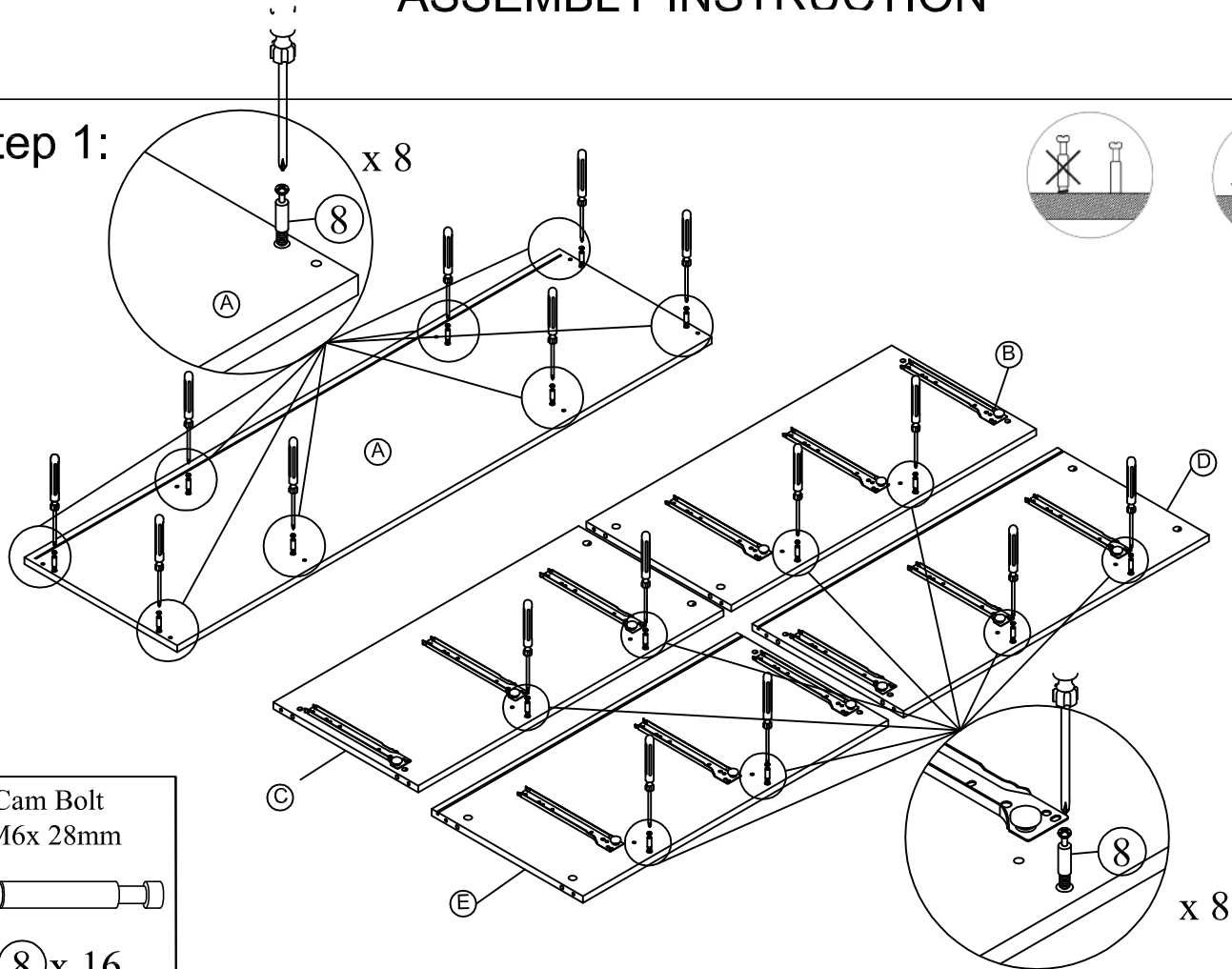
Insert the Cam Lock so the side opening fits over the head of the Cam Bolt.



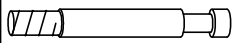
To tighten the Cam Lock, turn it clockwise on half a turn with a flat screwdriver.
**Do not use an automatic screwdriver as it may bend or break if too much power is imposed.*

ASSEMBLY INSTRUCTION

Step 1:

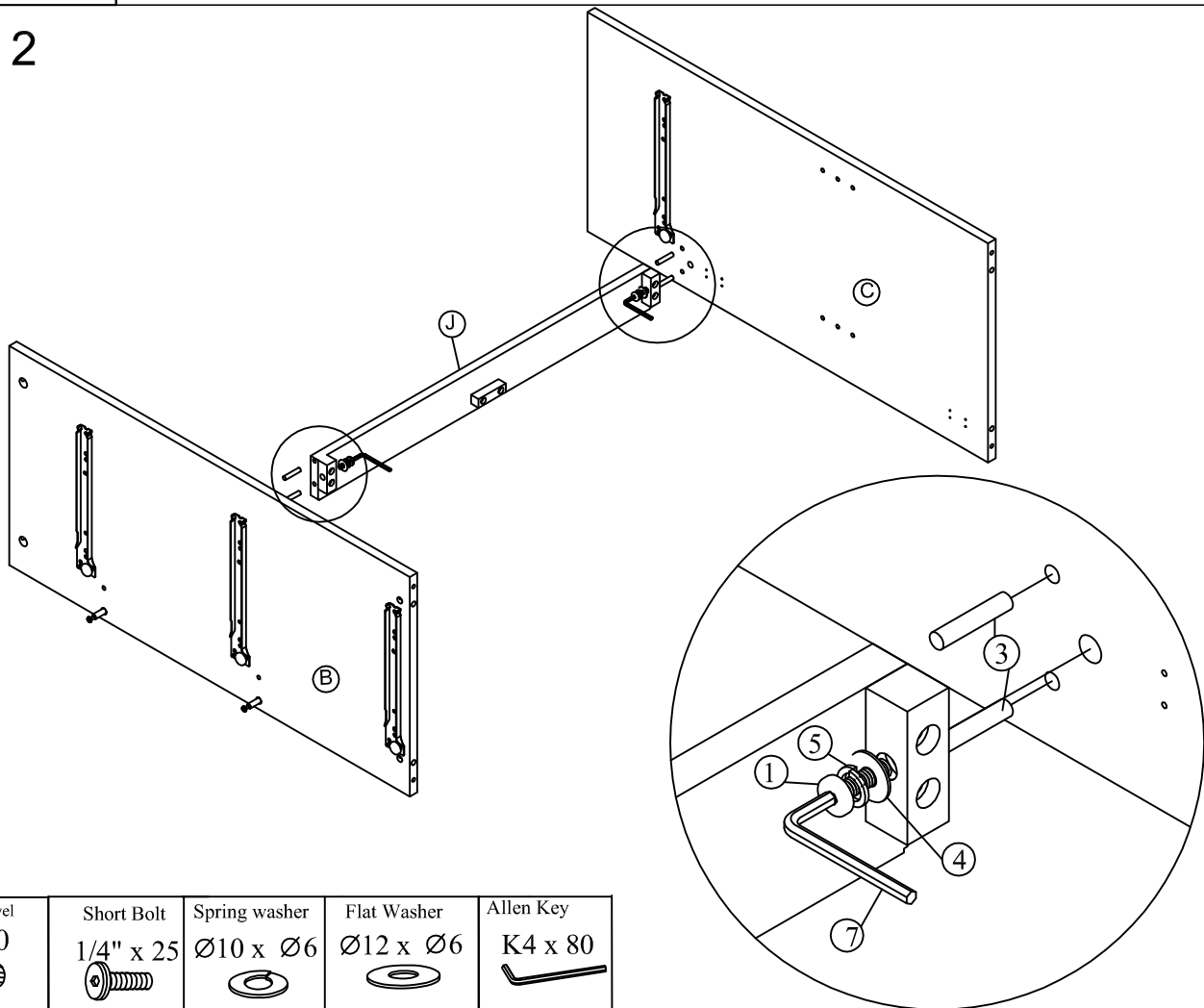


Cam Bolt
M6x 28mm



⑧ x 16

Step 2



Wooden Dowel

Ø6 x 30



③ x 4

Short Bolt

1/4" x 25



① x 2

Spring washer

Ø10 x Ø6



④ x 4

Flat Washer

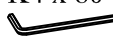
Ø12 x Ø6



⑤ x 4

Allen Key

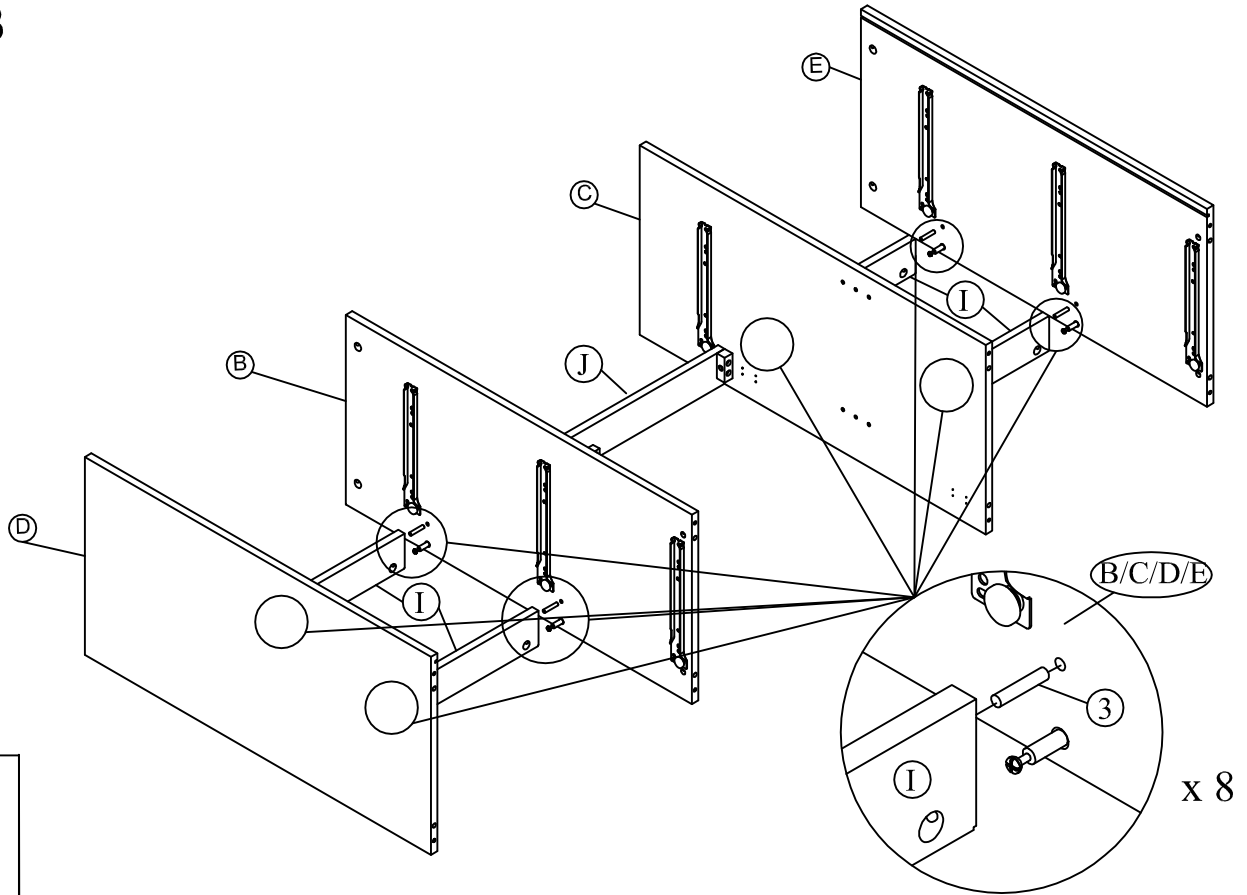
K4 x 80



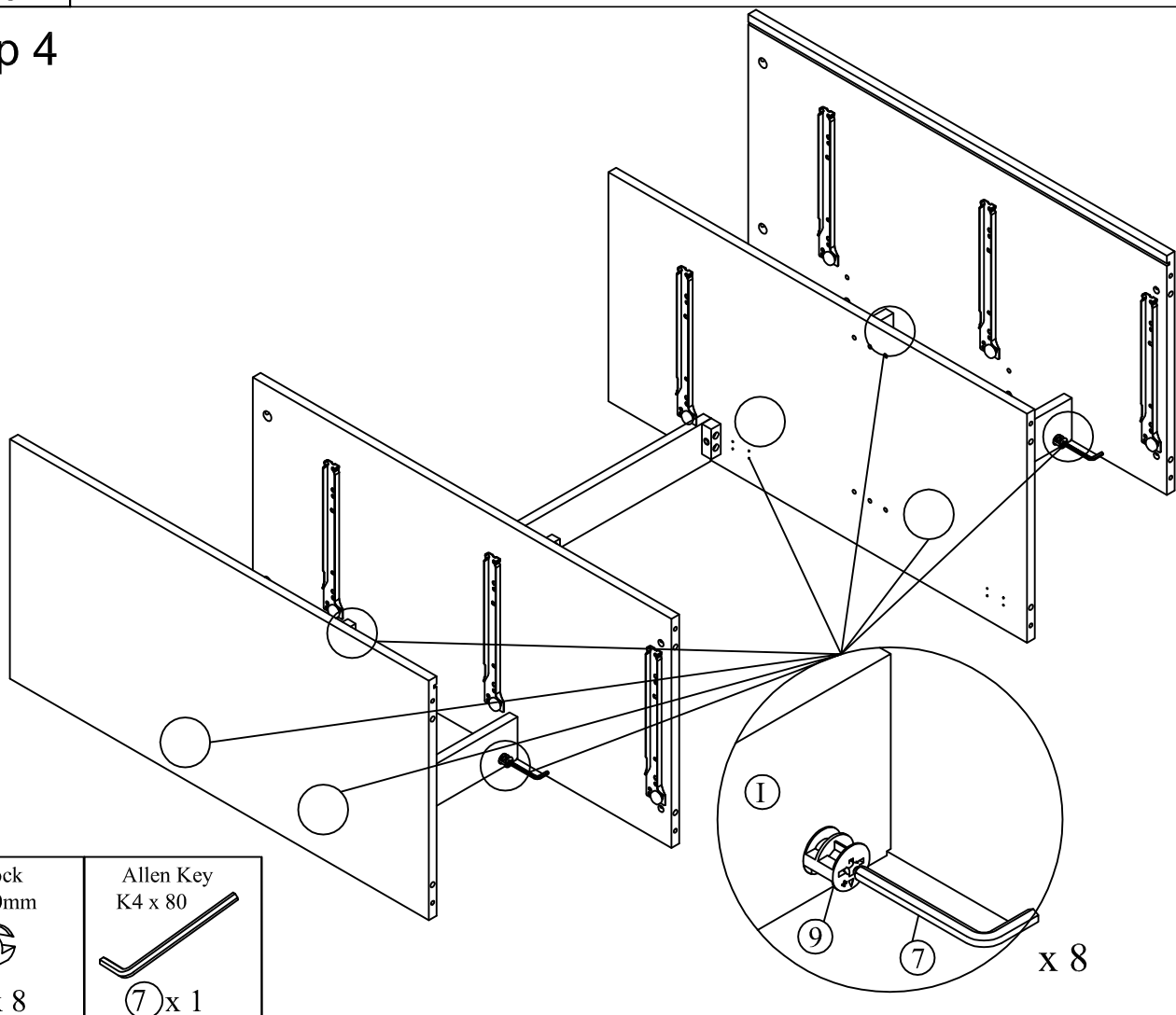
⑦ x 1

ASSEMBLY INSTRUCTION

Step 3

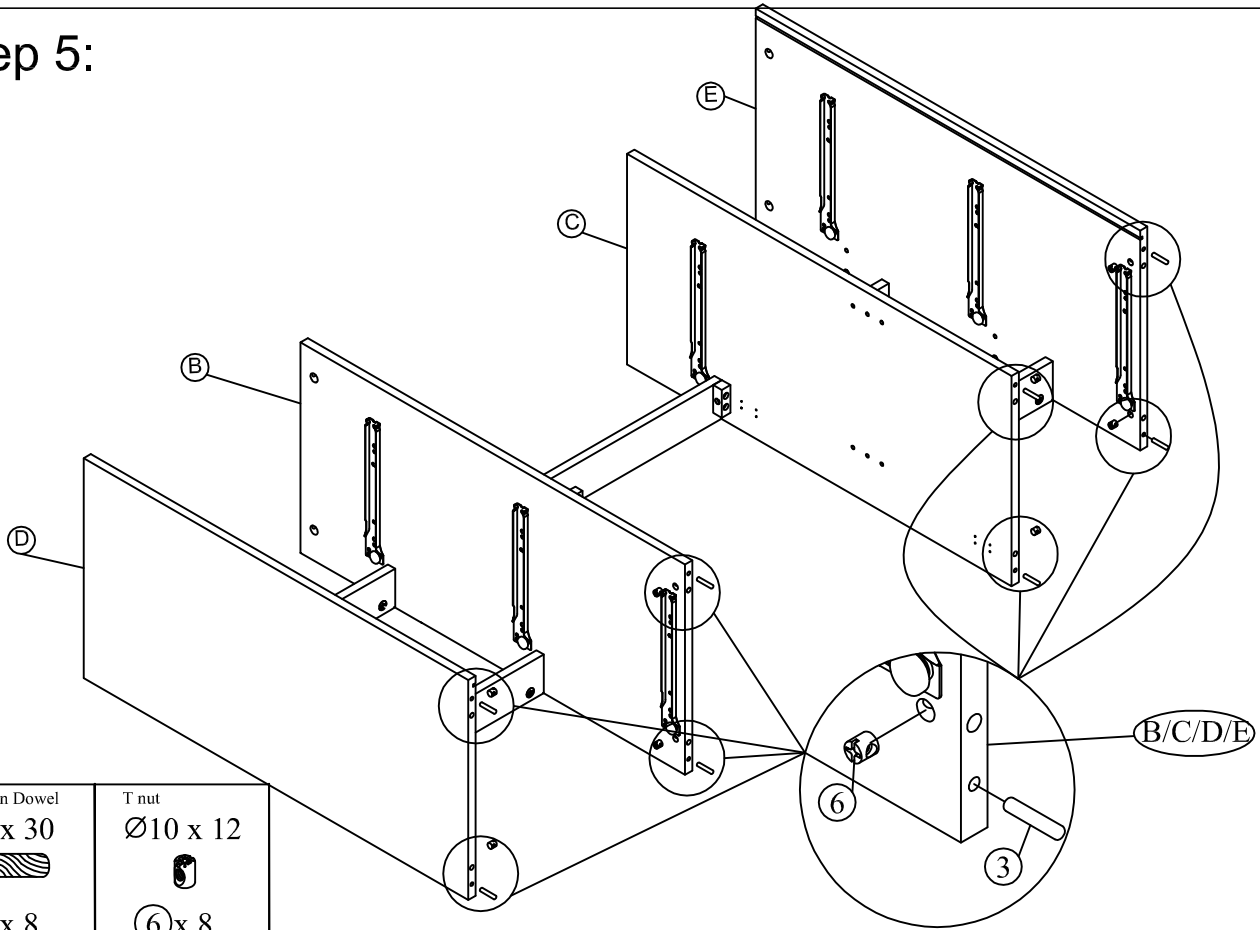


Step 4



ASSEMBLY INSTRUCTION

Step 5:



Wooden Dowel

Ø6 x 30



(3) x 8

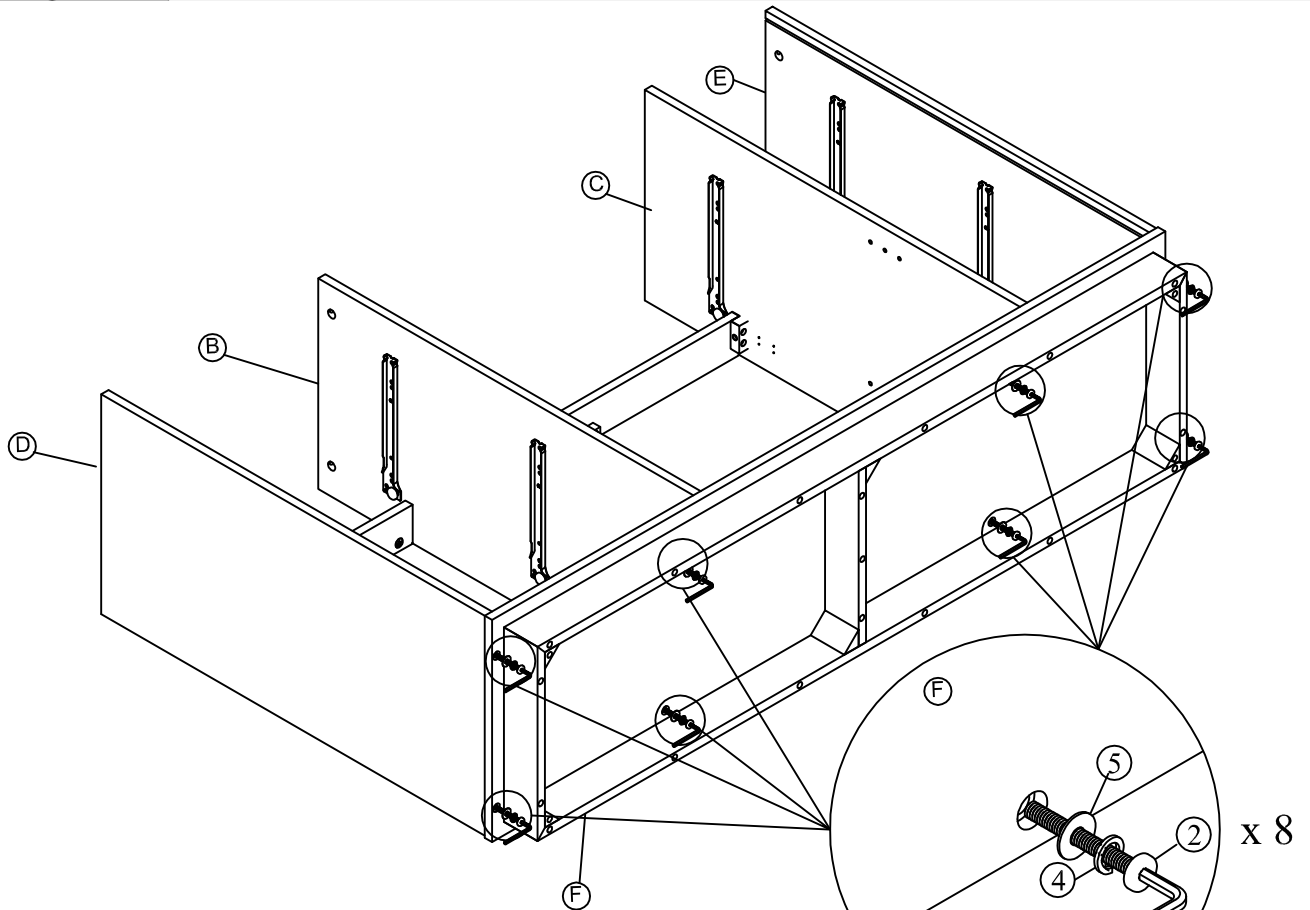
T nut

Ø10 x 12



(6) x 8

Step 6



Long Bolt
1/4" x 38



(2) x 8

Spring washer
Ø10 x Ø6



(4) x 8

Flat Washer
Ø12 x Ø6



(5) x 8

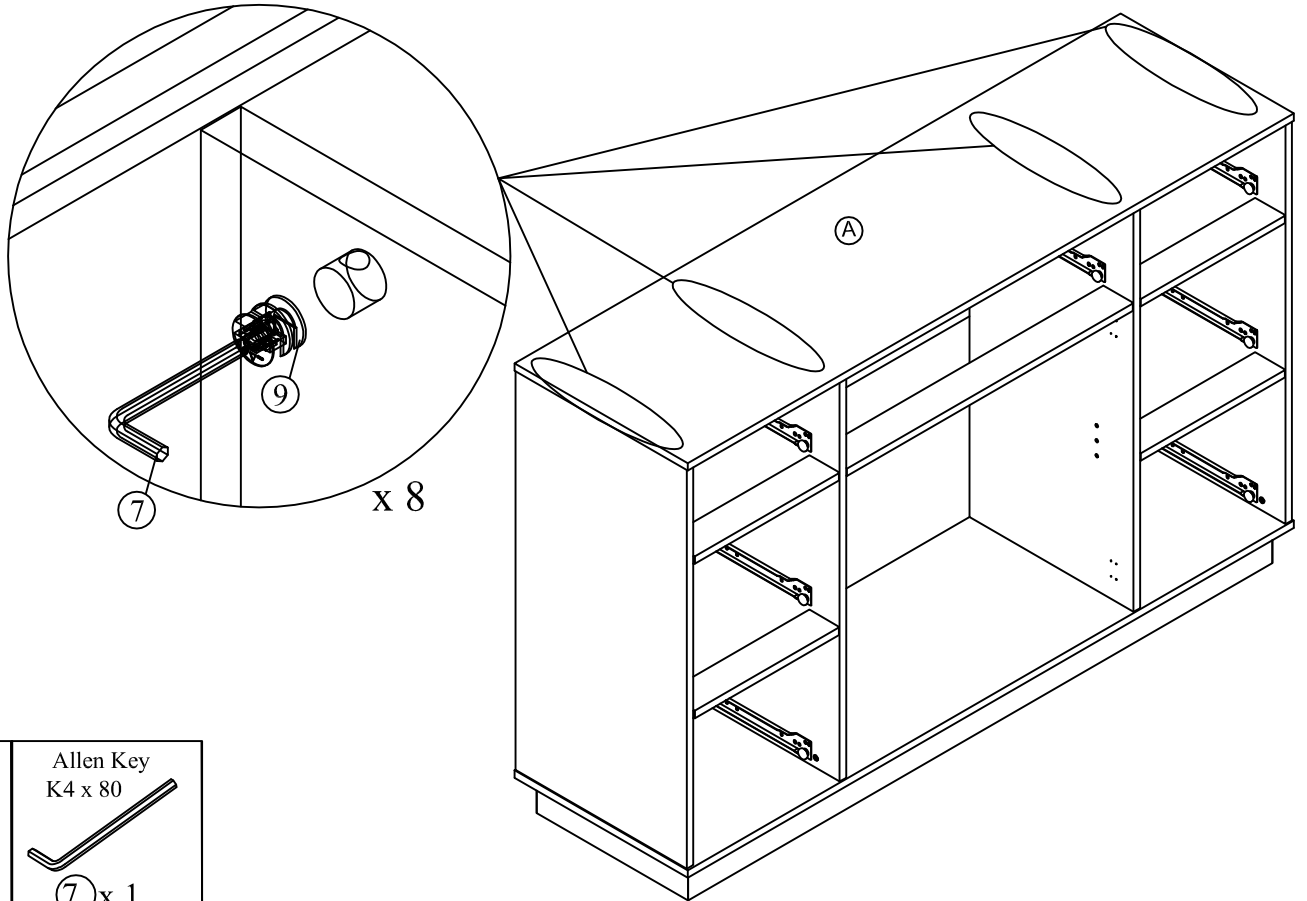
Allen Key
K4 x 80



(7) x 1

ASSEMBLY INSTRUCTION

Step 9



Camlock
Ø 15 x 10mm



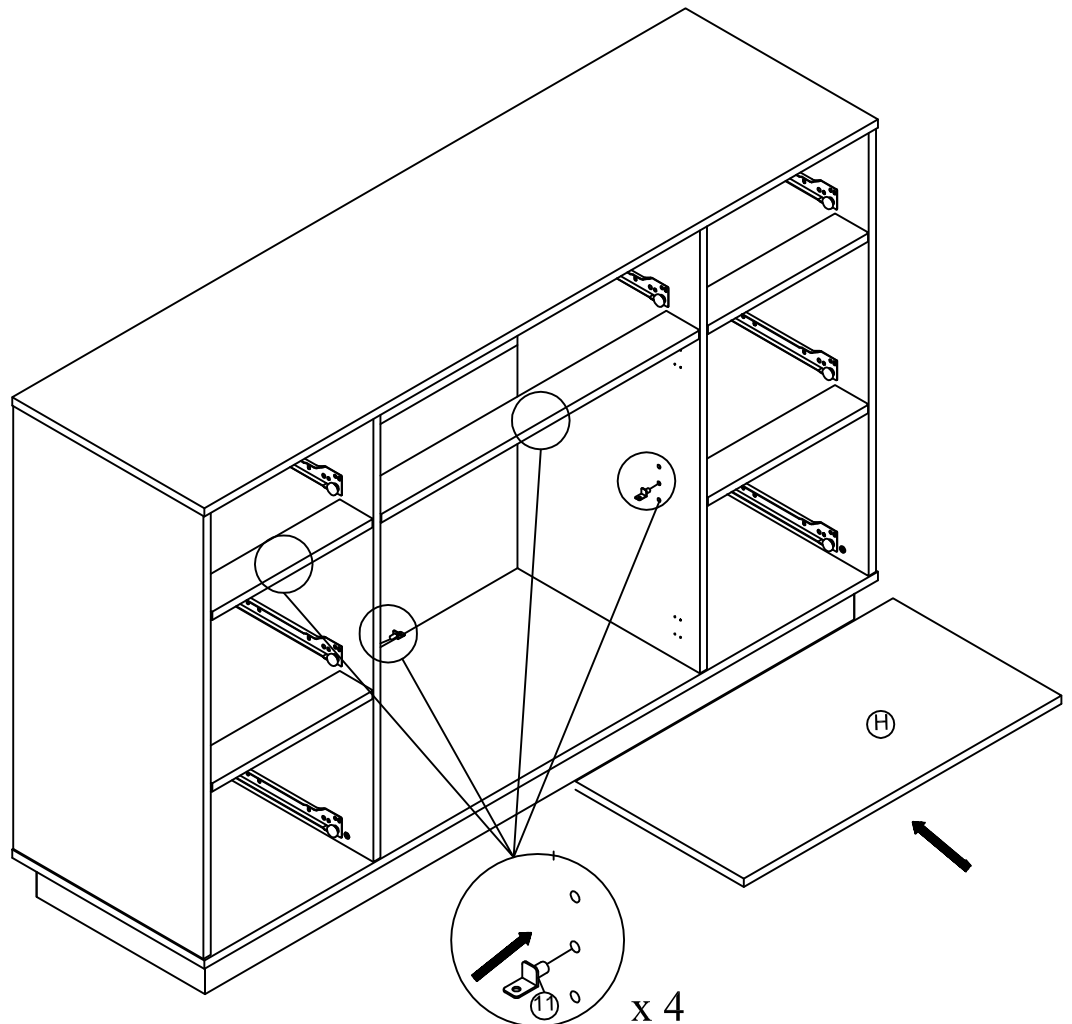
⑨ x 8

Allen Key
K4 x 80

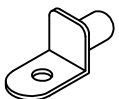


⑦ x 1

Step 10



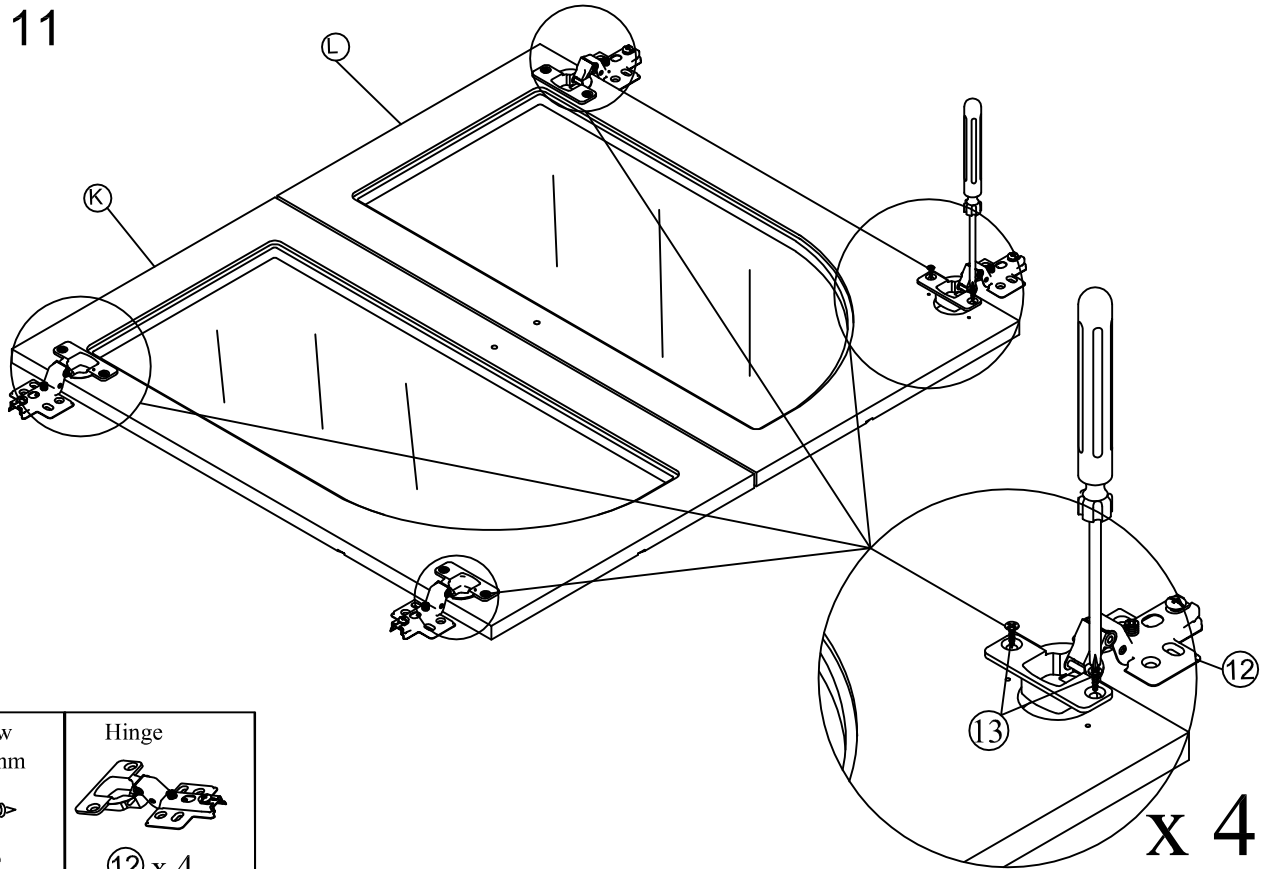
Support Shelf



⑪ x 4

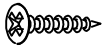
ASSEMBLY INSTRUCTION

Step 11



Flat screw
M3 x 15mm

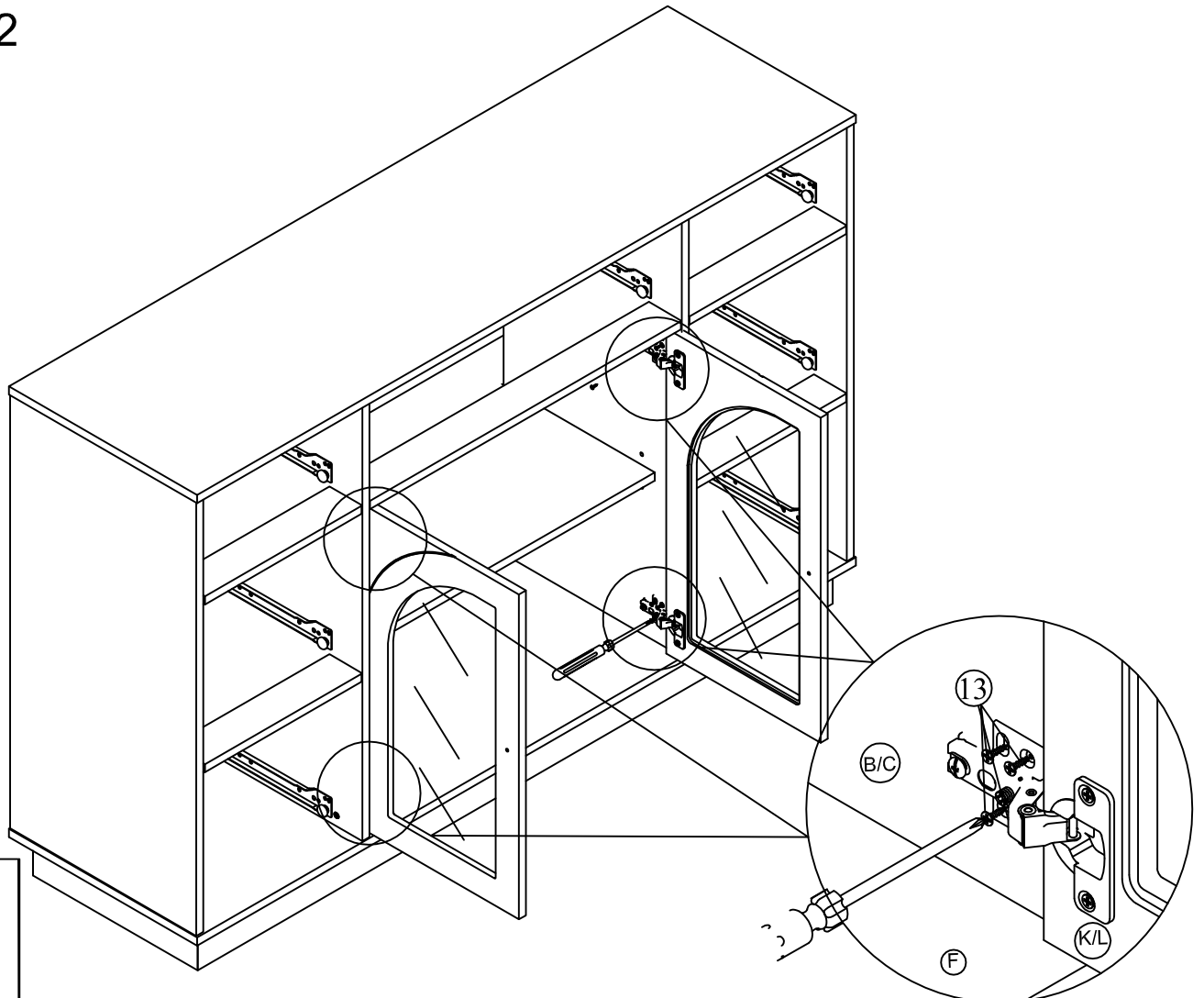
Hinge



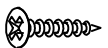
⑬ x 8

⑫ x 4

Step 12



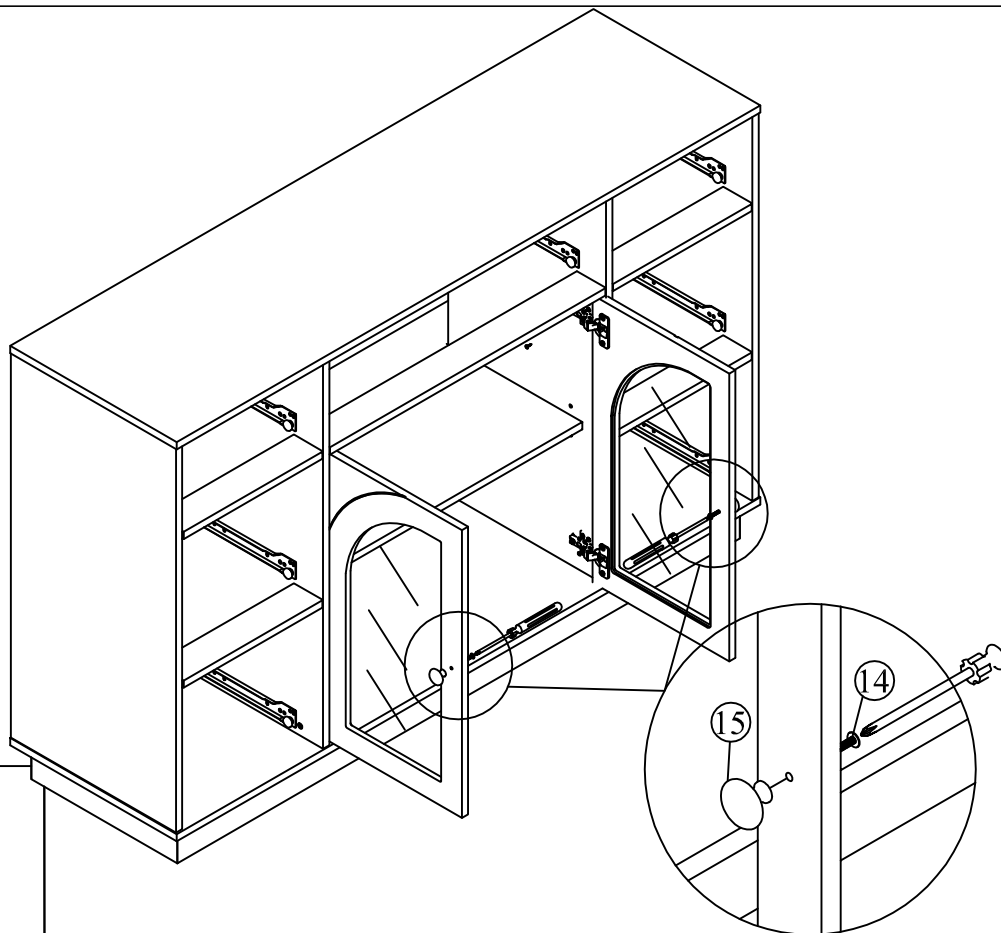
Flat screw
M3 x 15mm



⑬ x 16

ASSEMBLY INSTRUCTION

Step 13

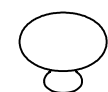


Bolt of Handle
M4 x 20 mm



(14) x 2

Knob

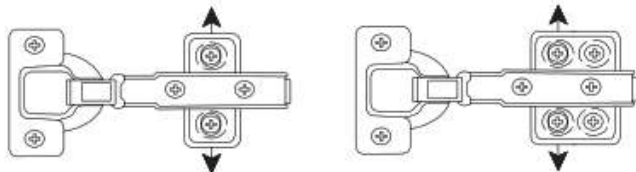


(15) x 2

Step 14 If your Cabinet door looking crooked or unevenly spaced?

Then you've come to the right place, Follow the illustrations below to get your cabinet door aligned and ready for action.

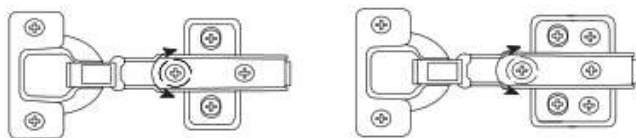
If your door is too low or too high...



Loosen the height screws, then move the door up or down to make it level.

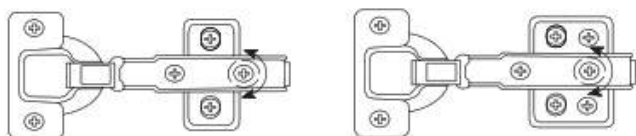
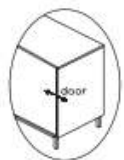
Note: Please assemble the door according to the installa
If the cabinet door is deviated, the internal hinge needs to be slowly adjusted to solve the problem.

If the space between your doors is off...



Loosen the side-to-side screws, then screw counter-clockwise to make the gap wider or clockwise to close any gaps.

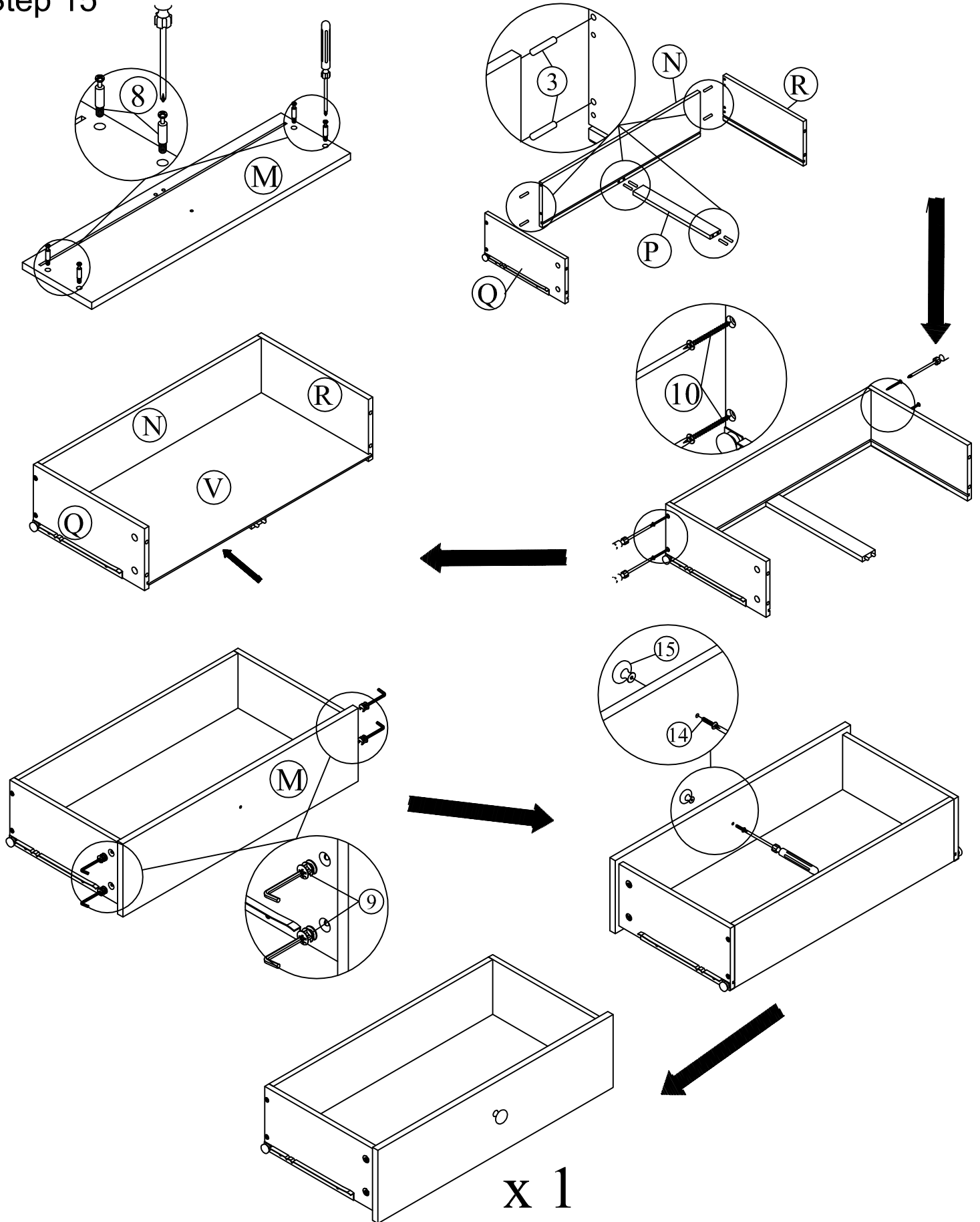
If you need to adjust the depth of the doors...





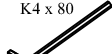




Adjust the in-and-out screws until the door is aligned with the side of the cabinet.

ASSEMBLY INSTRUCTION

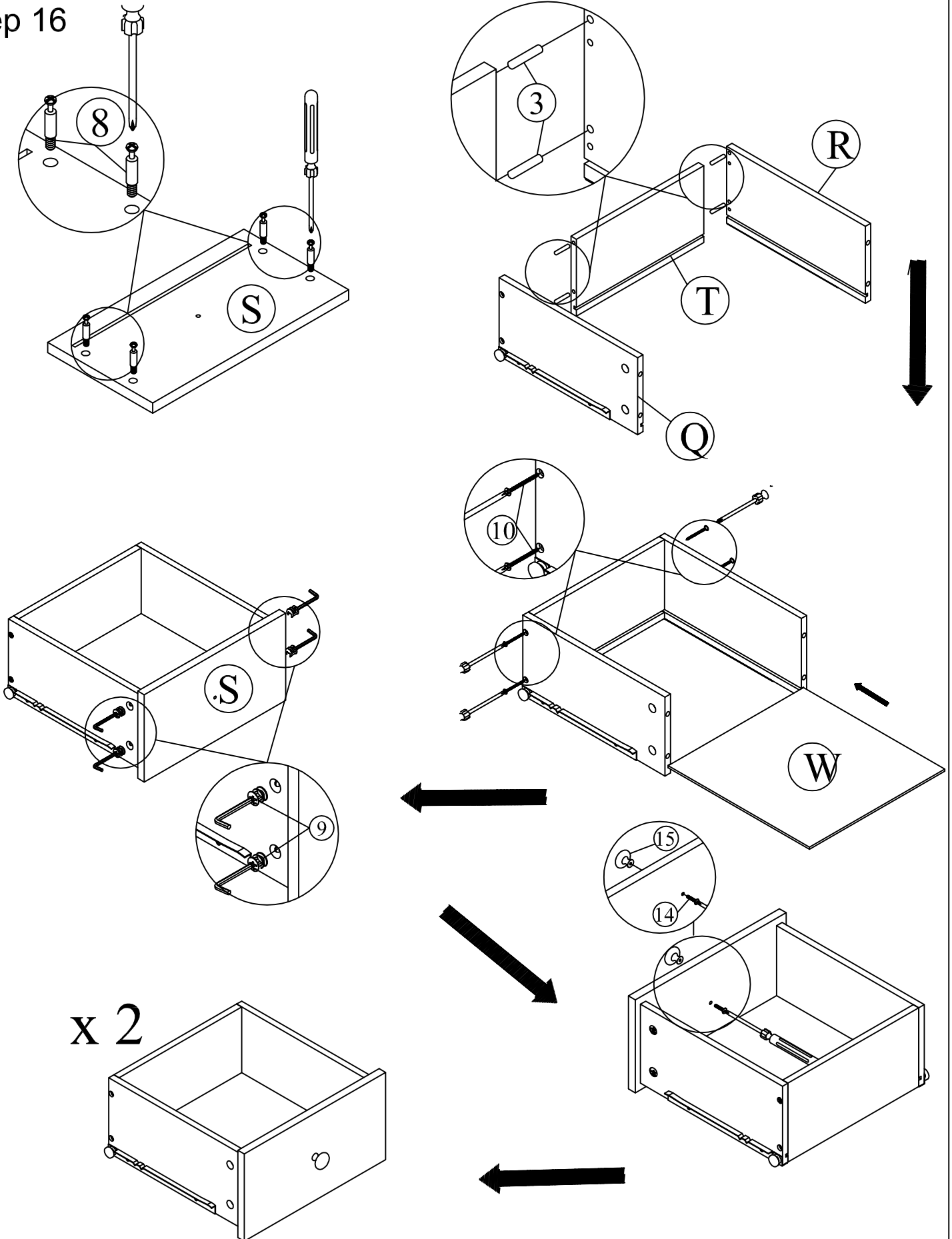
Step 15





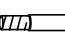


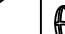

| | | | | | | |
|--|--|--|--|--|---|---|
| Wooden Dowel Ø6 x 30  (3) x 4 | Flat screw M4 x 25mm  (10) x 4 | Cam Bolt M6x 28mm  (8) x 4 | Camlock Ø 15 x 10mm  (9) x 4 | Allen Key K4 x 80  (7) x 1 | Bolt of Handle M4 x 20 mm  (14) x 1 | Knob  (15) x 1 |
|--|--|--|--|--|---|---|

ASSEMBLY INSTRUCTION

Step 16

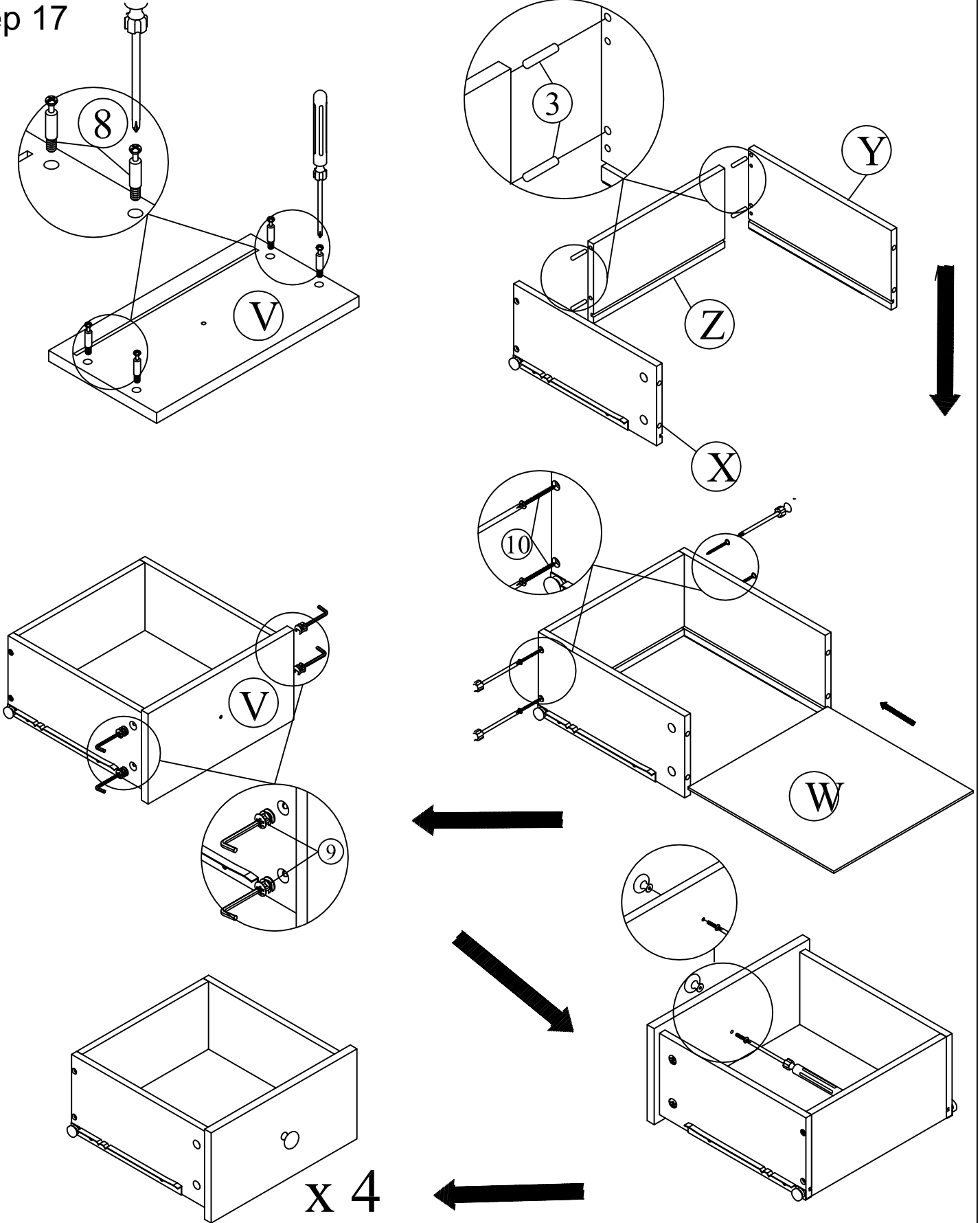




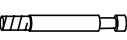

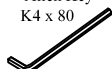


x 2

| | | | | | | |
|--|--|--|--|--|---|---|
| Wooden Dowel Ø6 x 30  (3) x 8 | Flat screw M4 x 25mm  (10) x 8 | Cam Bolt M6x 28mm  (8) x 8 | Camlock Ø 15 x 10mm  (9) x 8 | Allen Key K4 x 80  (7) x 1 | Bolt of Handle M4 x 20 mm  (14) x 2 | Knob  (15) x 2 |
|--|--|--|--|--|---|---|

ASSEMBLY INSTRUCTION

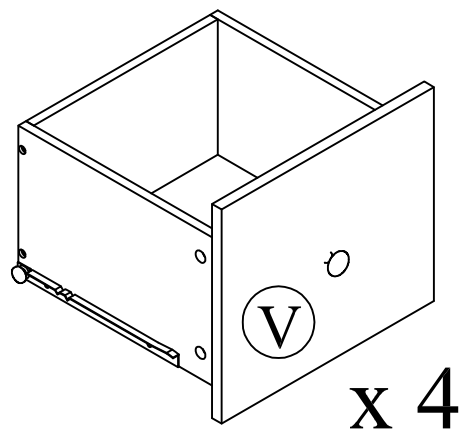
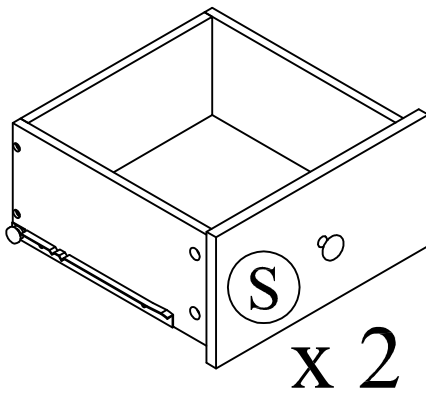
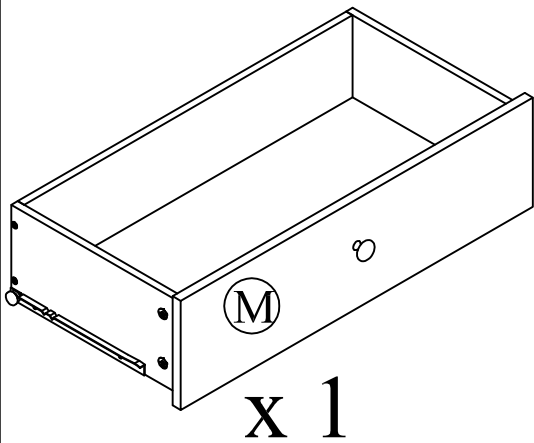
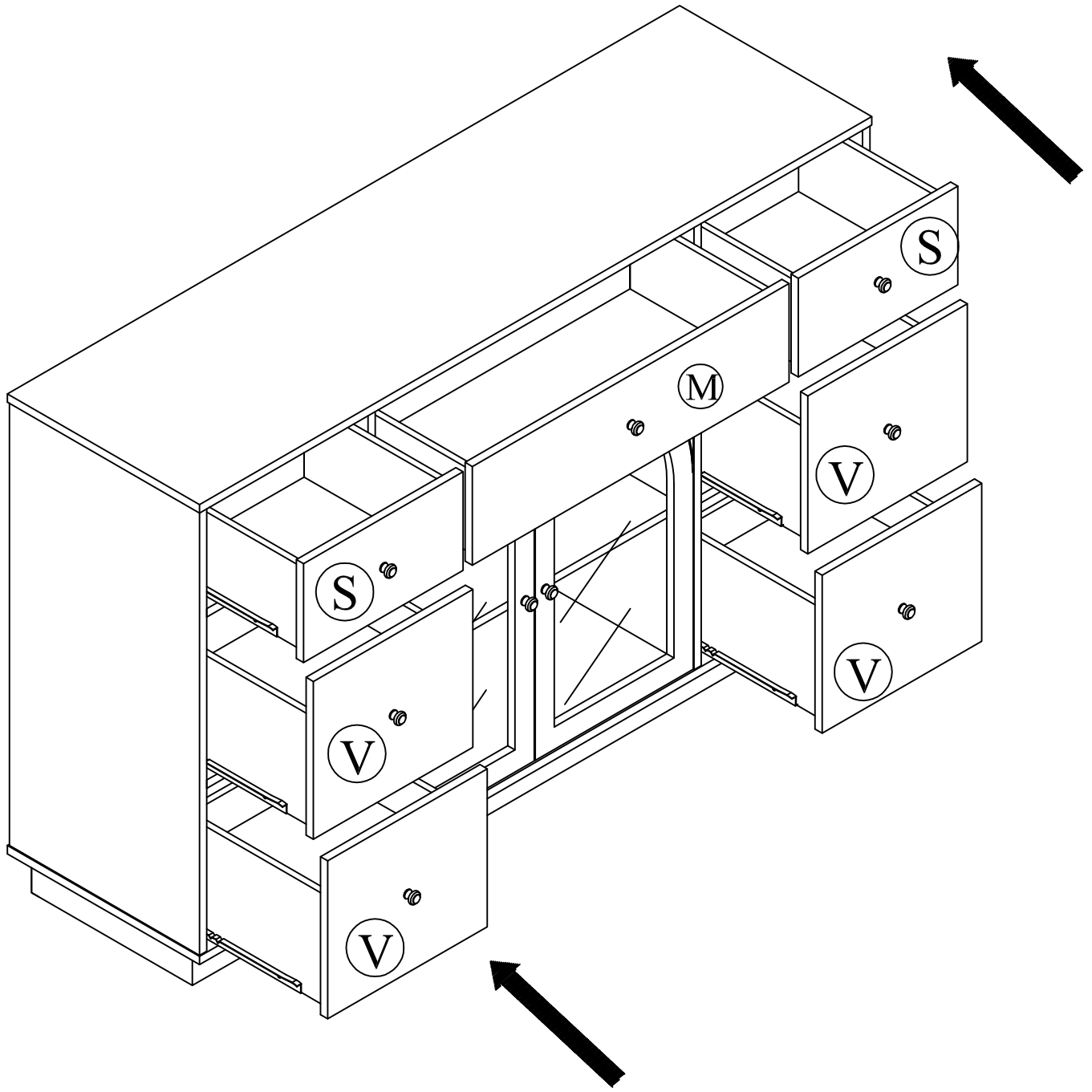
Step 17



| | | | | | | |
|--|---|---|---|--|---|---|
| Wooden Dowel Ø 6 x 30  (3) x 16 | Flat screw M4 x 25mm  (10) x 16 | Cam Bolt M6 x 28mm  (8) x 8 | Camlock Ø 15 x 10mm  (9) x 16 | Allen Key K4 x 80  (7) x 1 | Bolt of Handle M4 x 20 mm  (14) x 4 | Knob  (15) x 4 |
|--|---|---|---|--|---|---|

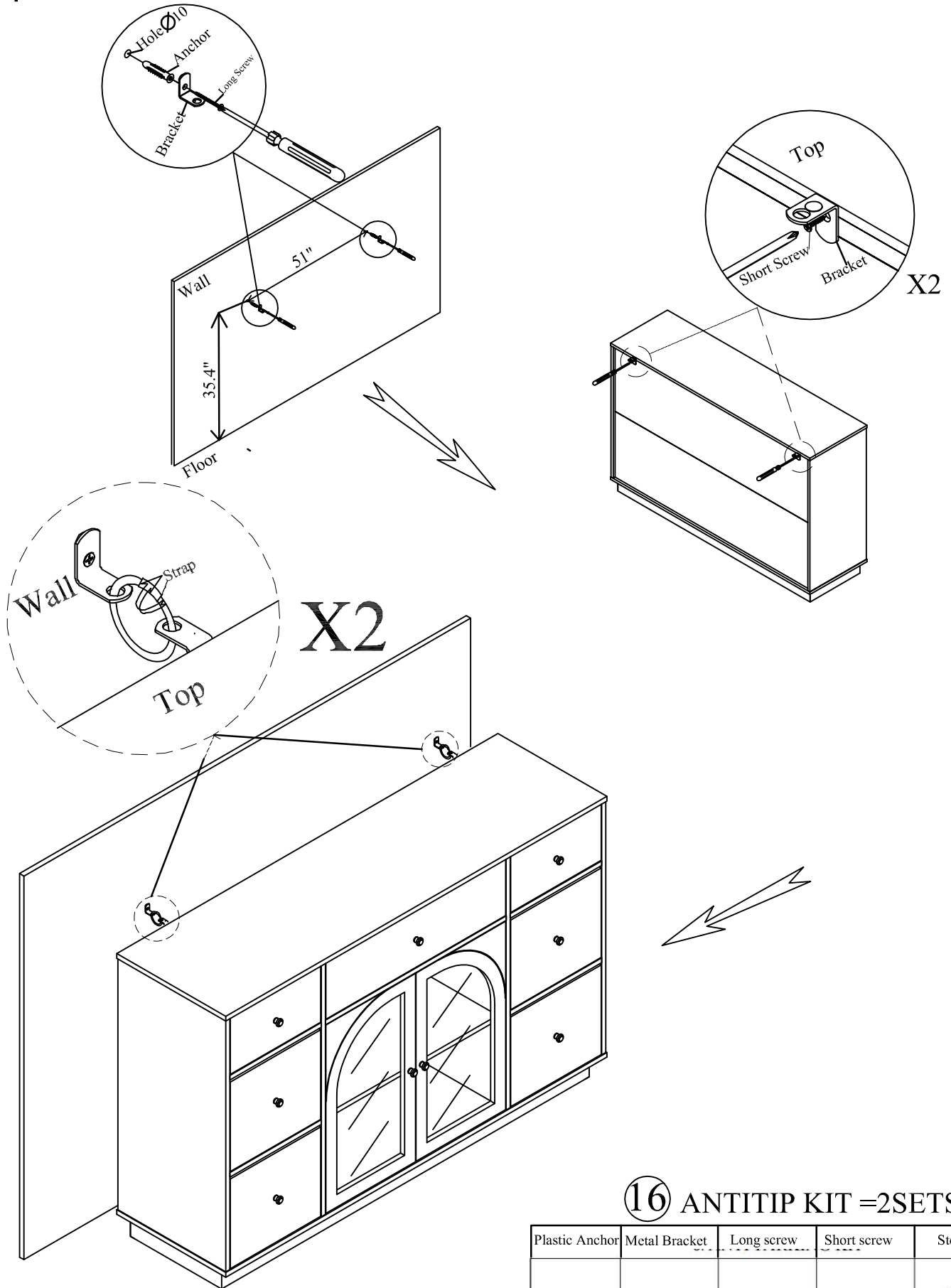
ASSEMBLY INSTRUCTION

Step 18



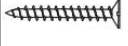




ASSEMBLY INSTRUCTION

Step 19



16 ANTITIP KIT = 2SETS

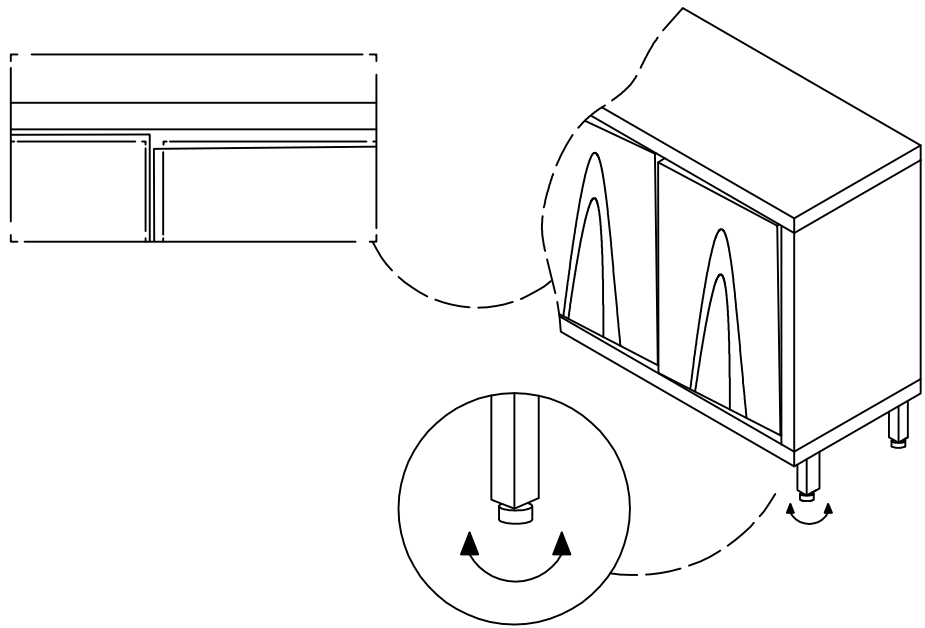
| Plastic Anchor | Metal Bracket | Long screw | Short screw | Steel Wire |
|---|---|---|---|---|
|  |  |  |  |  |
| 2 pcs | 4 pcs | 2 pcs | 2 pcs | 2 pcs |

ASSEMBLY INSTRUCTION

Is your cabinet door looking crooked or unevenly spaced?

If you're still having trouble lining everything up, your next step should be to try to adjust the feet slightly to square up the cabinet and doors. Follow the instructions below:

If the right door appears to be hanging low, you can adjust the adjustable leveler on the front right until the door is better aligned.



If the left door appears to be hanging low, you can adjust the adjustable leveler on the front left until the door is better aligned.

