

INSTRUCTION MANUAL

Dining Chair

IF YOU PURCHASED THE CHAIR ONLINE AND HAVE ANY QUESTIONS OR CONCERNS PLEASE CONTACT US WITH EMAIL OR WHATSAPP.

Email:hiwarrantyservice@outlook.com
TEXT:+1 628-263-4608

IF YOU PURCHASED THE CHAIR ONLINE AND HAVE ANY QUESTIONS OR CONCERNS PLEASE CONTACT US WITH EMAIL OR WHATSAPP.

Email:hiwarrantyservice@outlook.com
TEXT:+1 628-263-4608

WARNING:

Proper use of the chair is for single person seating only. The chair is not to be used for standing purposes and will not function as a stool or step-ladder. Use on even surfaces only. Chair tested for use at weight of 300lb(136.4kg).Improper use of this product or failure to use as directed may result in injury. Not intended for commercial use.

IMPORTANT:

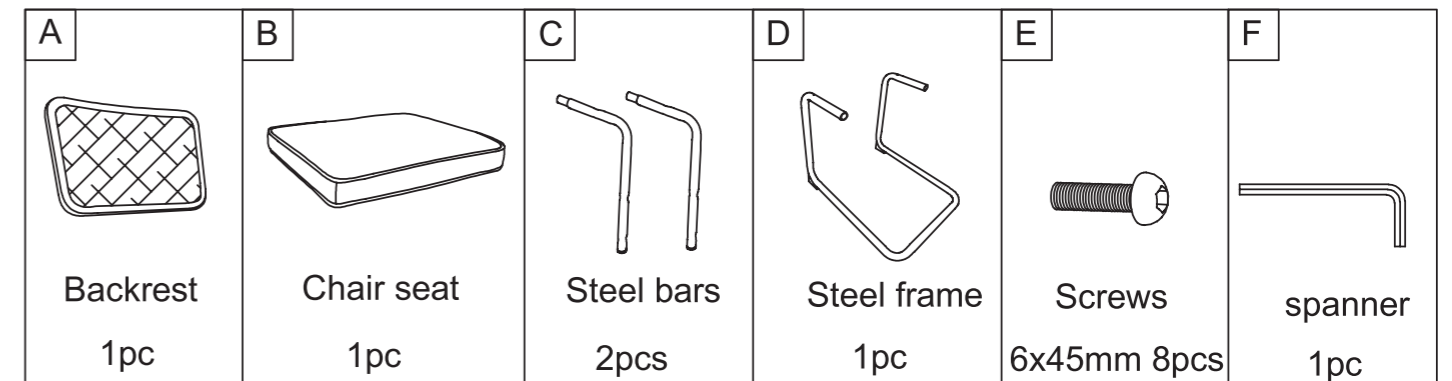
Please read all the instructions and warnings before assembling. In order to make the whole product adjust to the best, please install all the screws on the product before fully tighten, and note to put the washer to the screw before putting the screw into the screw hole.

SAFETY INFORMATION:

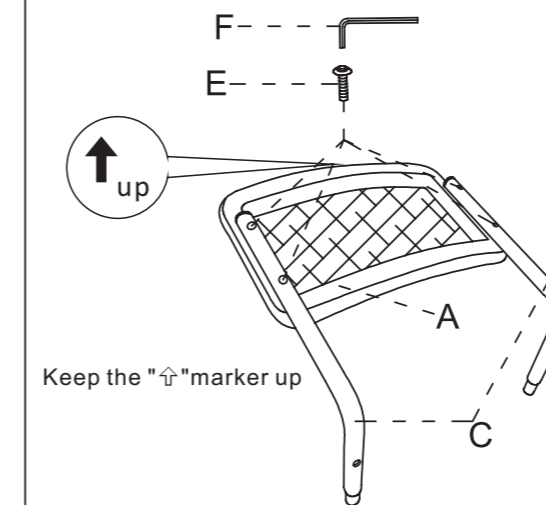
- Keep all children and pets away from assembly area. Children and pets should be supervised when they are in the area of the product construction.
- Keep assembly area at least 6 feet from any obstruction such as a fence, garage, house, overhanging branches, laundry line or electrical wires.
- Some parts may contain sharp edges. When assembling and using this product, basic safety precautions should always be followed to reduce the risk of personal injury and damage to the product. Please read all instructions before assembly and use.
- Check all bolts for tightness before use. IMPORTANT- check and tighten bolts often to keep them secure!
- The chair is not to be used for standing purposes and will not function as a stool or step-ladder. Use on even surfaces only.
- The chair use at weight of 300lb (136.4kg). Improper use of this product or failure to use as directed may result in injury. Not intended for commercial use.

CARE&MAINTENANCE:

- CUSHIONS CARE :Keep the mat away from stains and rain.
- SPILLS: Immediately wipe up the spill using a white damp cloth. Repeat process if necessary until stain is gone. Allow cushion to air dry.
- FABRIC CARE: Hand wash cold, non-chlorine bleach when needed, lay flat to dry. Cool iron if necessary. Do not dry clean.
- There will be slightly different shades of color on the surface for wooden products. Splicing marks will inevitably appear during the weaving process for the length limitation. Noticed that issues mentioned above are non-quality problems. We are trying to eliminate these issues in production. Wooden material exactly makes each of our products unique.



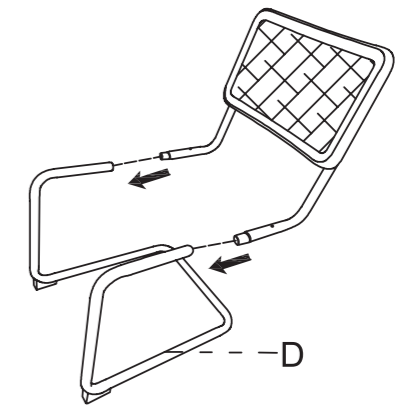
Step 1



Lock the part C and the back (A) together.

Do not fully tighten all the screws until they are fixed properly.

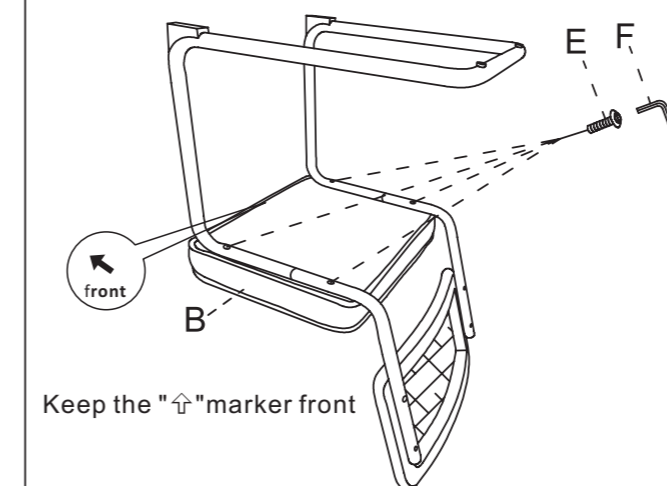
Step 2



Please insert the upper part into chair steel frame (D).

Do not fully tighten all the screws until they are fixed properly.

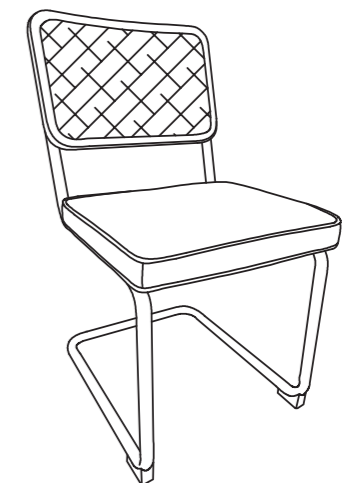
Step 3



Assemble the chair seat (B) and chair frame (D) together.

Do not fully tighten all the screws until they are fixed properly.

Step 4



Lock all screws, done.