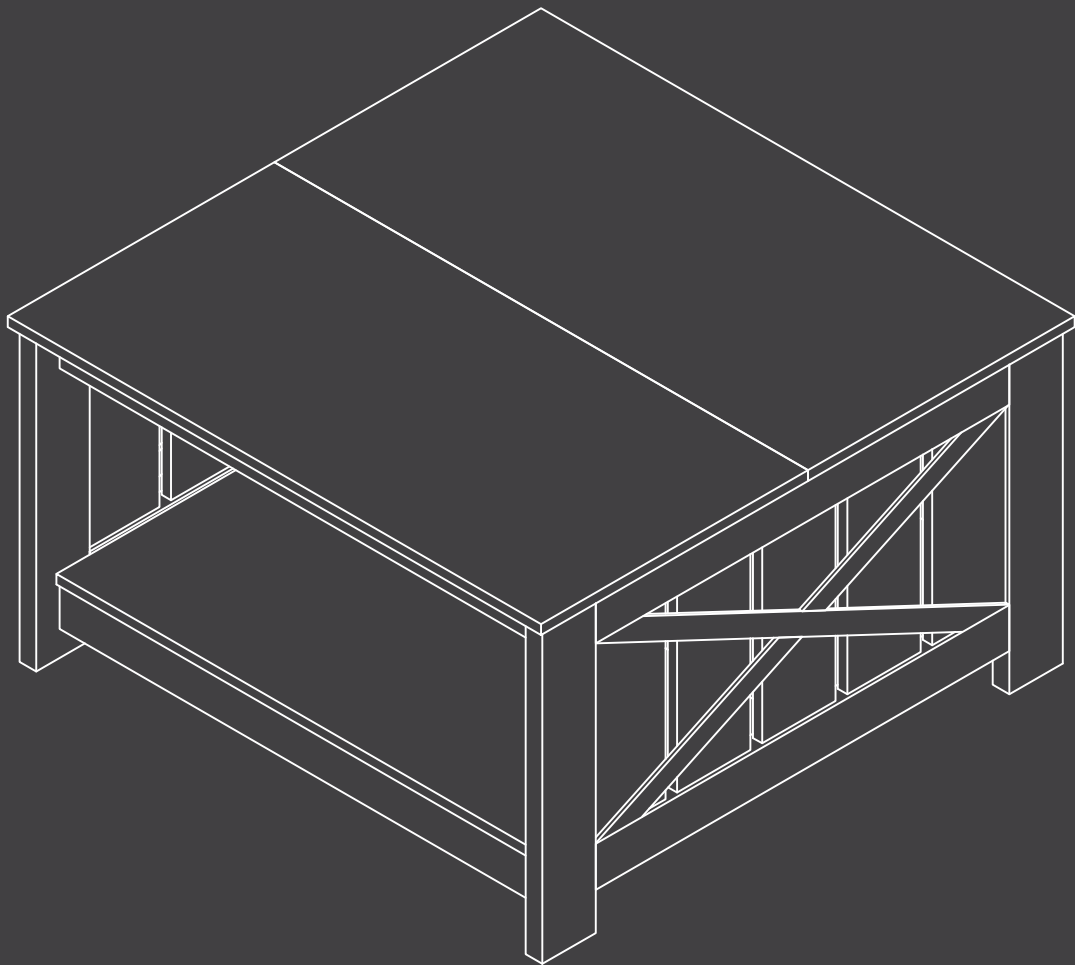
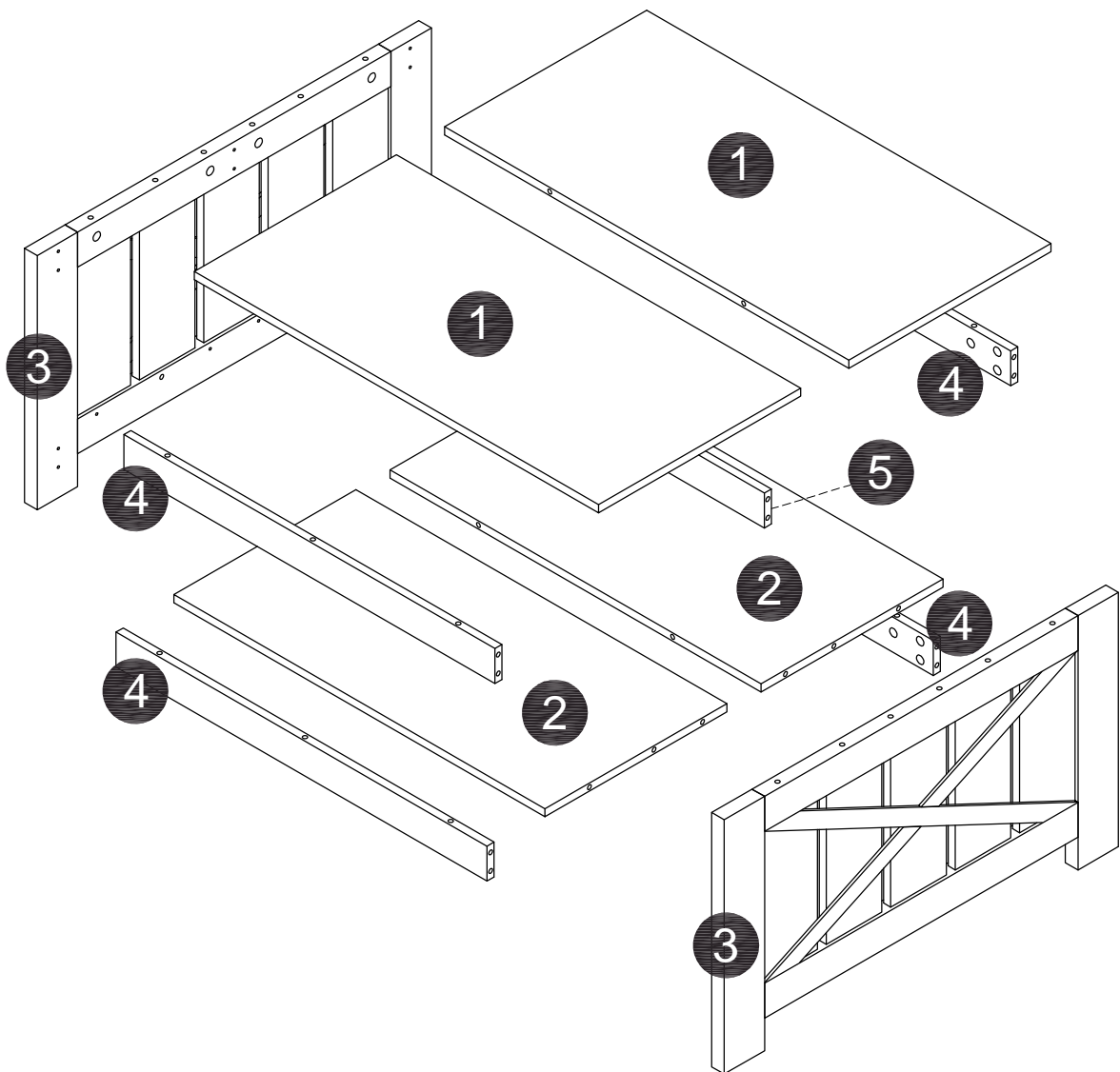


31 INCH COFFEE TABLE

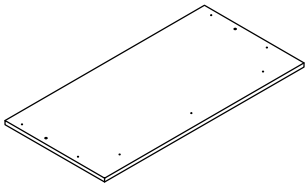
Instruction manual



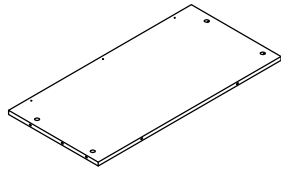


1 Component List

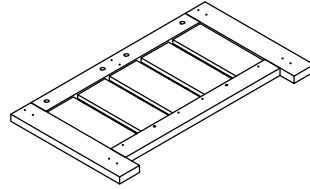
1 X2



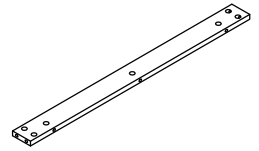
2 X2



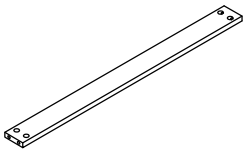
3 X2



4 X4

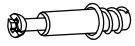


5 X1



2 Supplied Parts and Hardware

A X48+2



Ø6x34mm

B X48+2



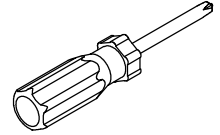
Ø15x9.5mm

C X12+1

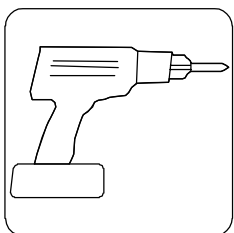


Ø8x30mm

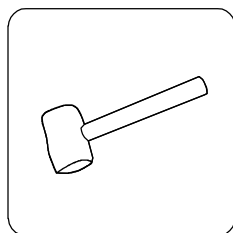
D X1



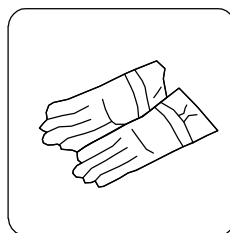
Please have the following auxiliary tools ready:
Bitte halten Sie folgende Hilfswerkzeuge bereit:
Veuillez préparer les outils auxiliaires suivants :
Si prega di avere pronti i seguenti strumenti ausiliari:
Por favor, tenga listas las siguientes herramientas auxiliares:



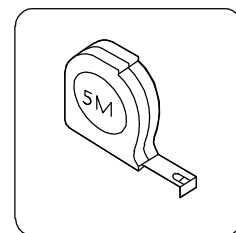
Electric Drill



Hammer



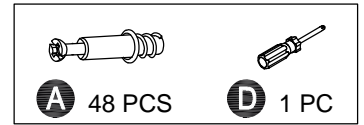
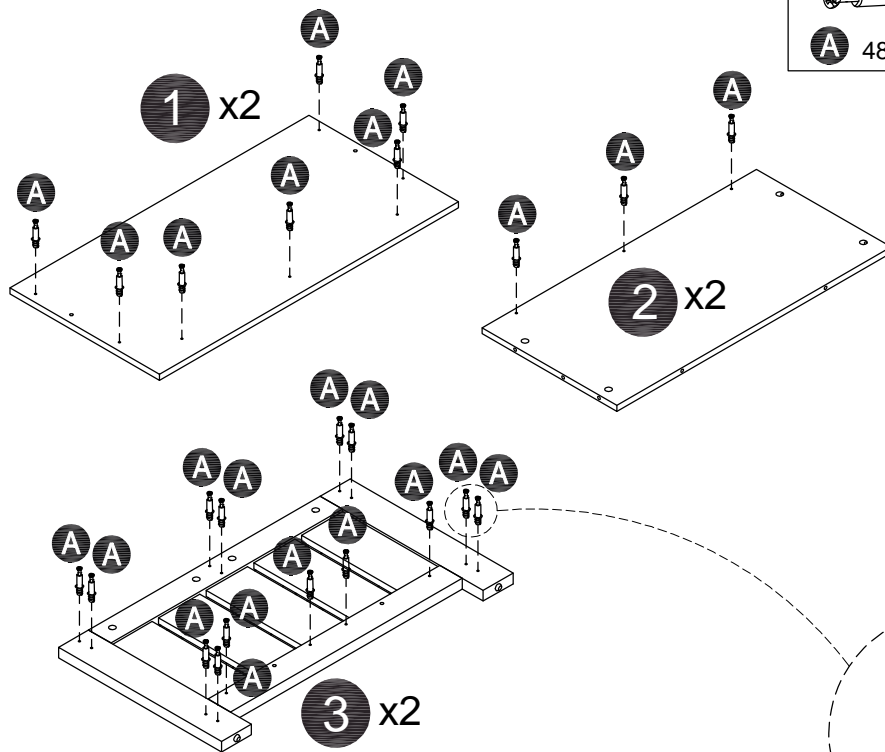
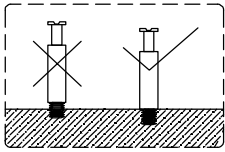
Gloves



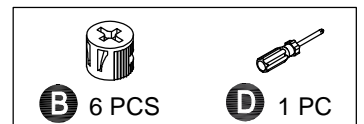
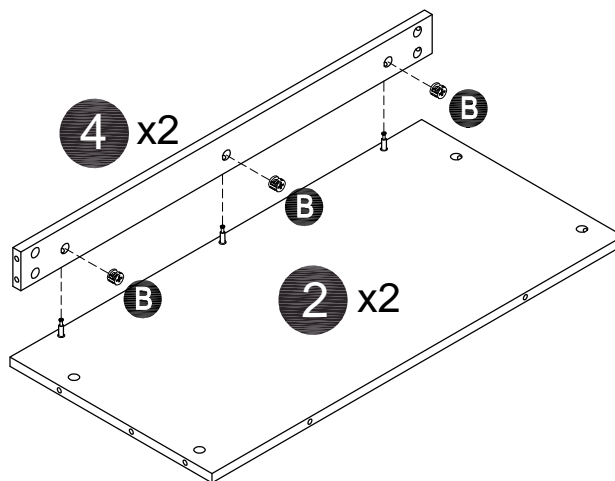
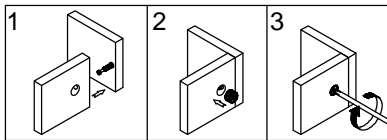
Tape Measure 5M

NOTE: This product requires at least two people for installation.

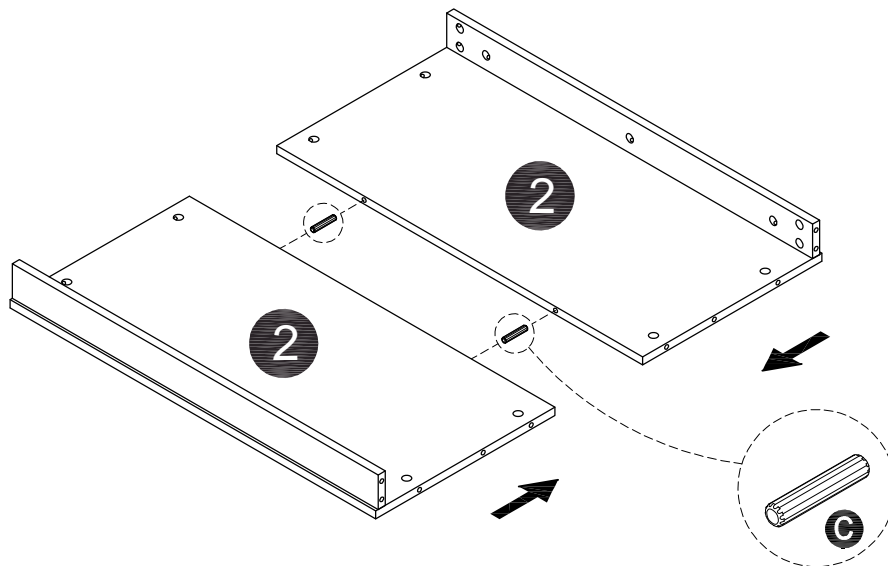
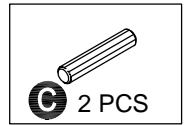
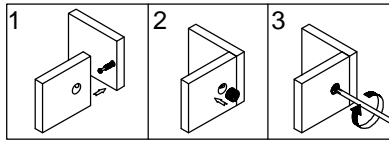
Step 1



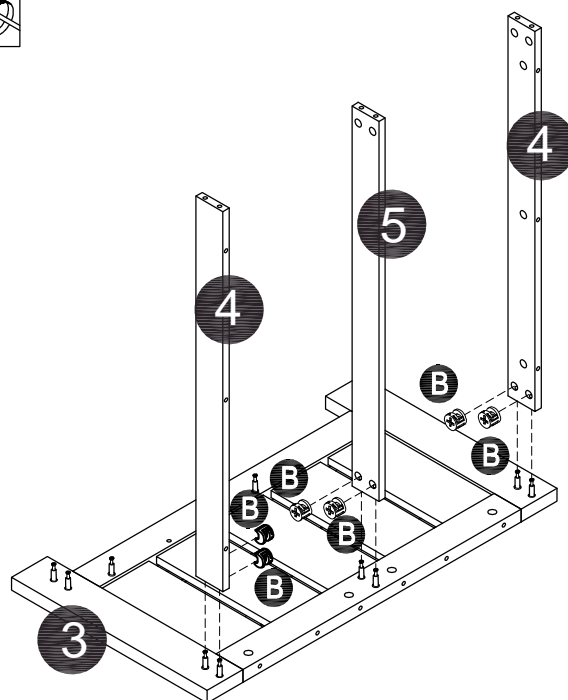
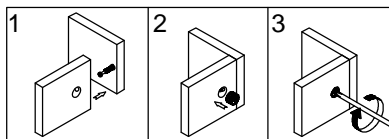
Step 2



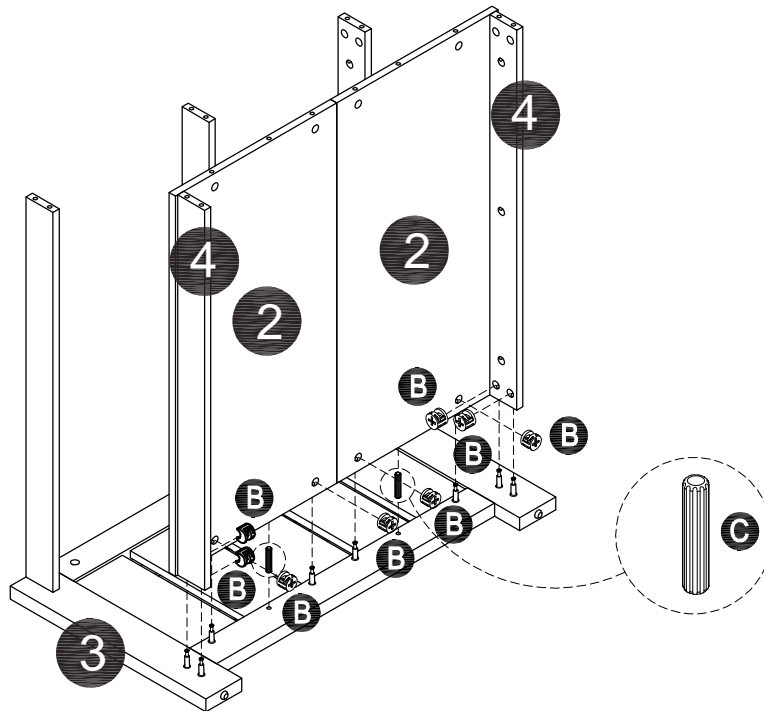
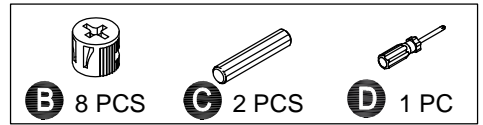
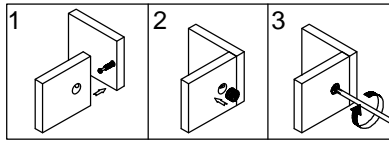
Step 3



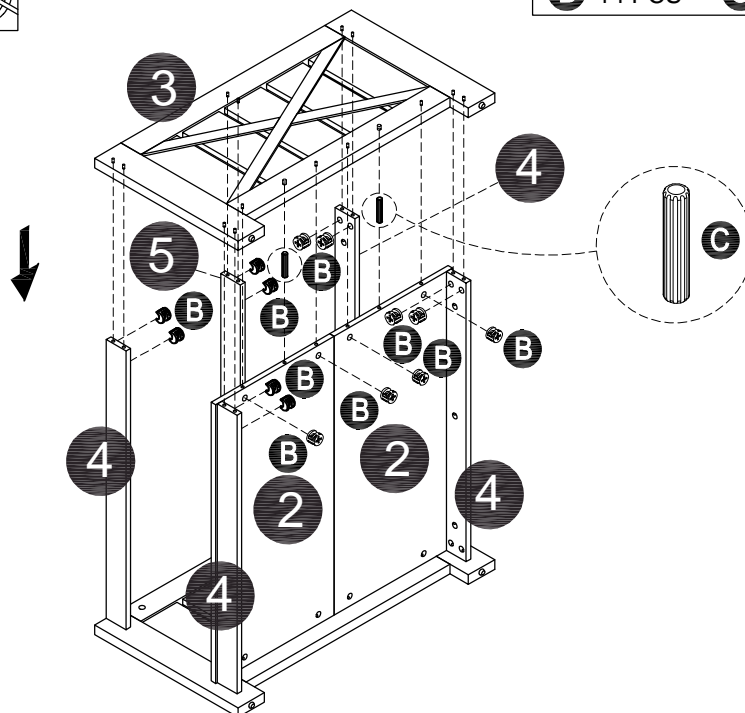
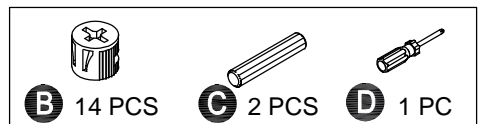
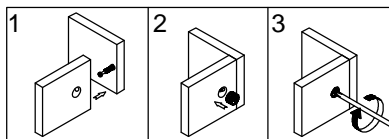
Step 4



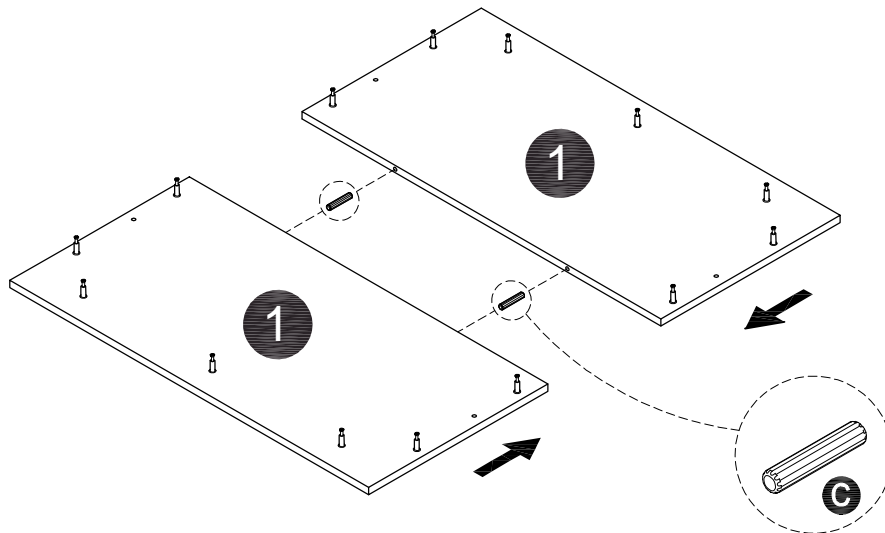
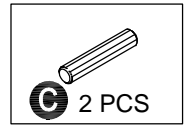
Step 5



Step 6



Step 7



Step 8

