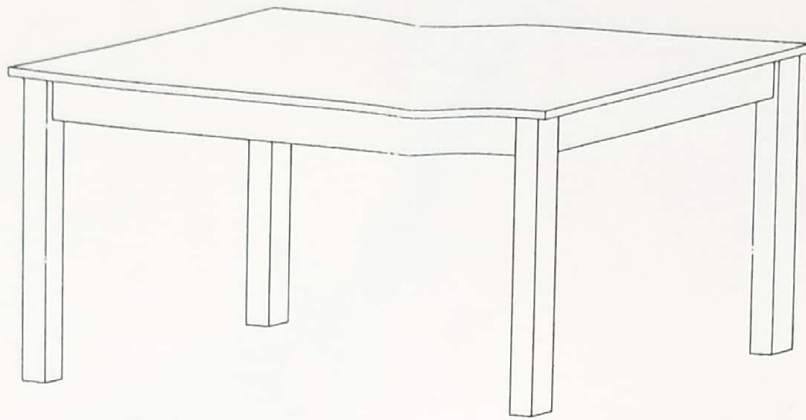


ASSEMBLY INSTRUCTION

IMPORTANT NOTE :





- * PLACE ALL PARTS ON A CLEAN AND SMOOTH SURFACE SUCH AS RUG OR CARPET TO AVOID THE PARTS FROM BEING SCRATCHED.
- * BEFORE YOU BEGIN, KINDLY FOLLOW THE ASSEMBLY INSTRUCTION STEP BY STEP

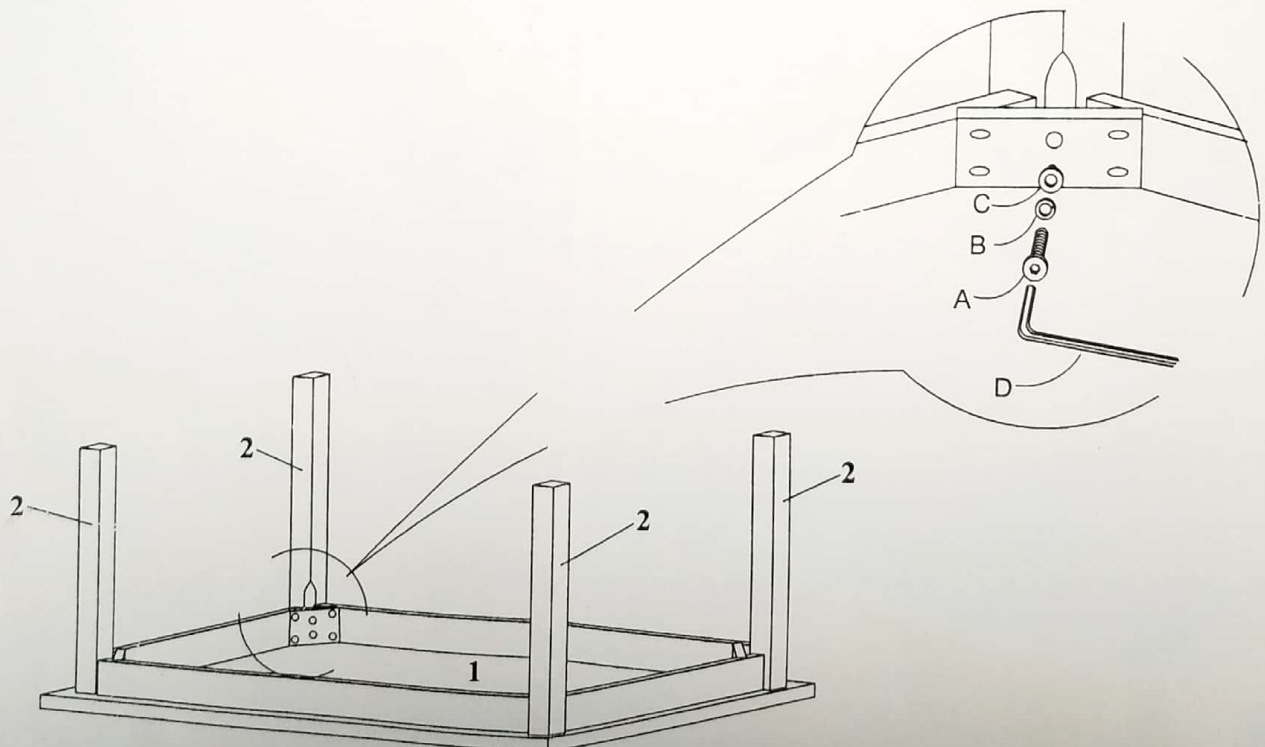


PARTS

NO	DESCRIPTION	QTY
1	TABLE TOP	1 PC
2	TABLE LEG	4 PCS

HARDWARES

NO	DESCRIPTION	QTY
A	JCBB SCREW 	8 PCS
B	SPRING WASHER 	8 PCS
C	FLAT WASHER 	8 PCS
D	ALLEN KEY 	1 PC








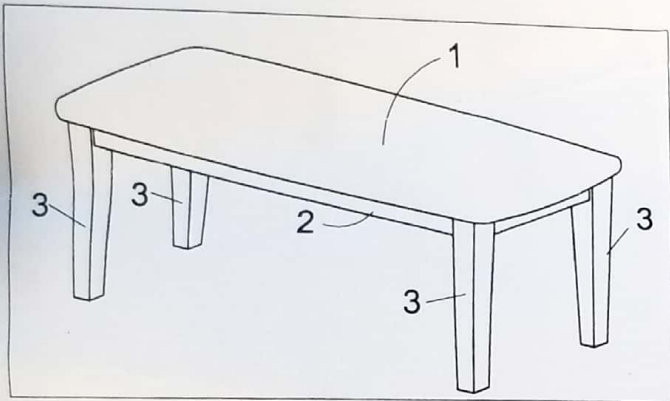
ASSEMBLY INSTRUCTION

IMPORTANT NOTE :

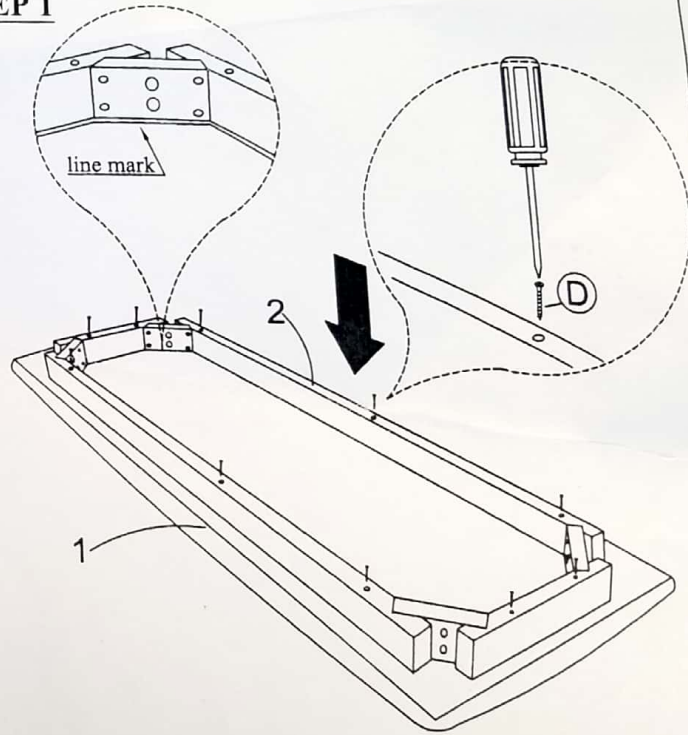
- * PLACE ALL PARTS ON A CLEAN AND SMOOTH SURFACE SUCH AS RUG OR CARPET TO AVOID THE PARTS FROM BEING SCRATCHED.
- * BEFORE YOU BEGIN, KINDLY FOLLOW THE ASSEMBLY INSTRUCTION STEP BY STEP

NO	DESCRIPTION	QTY
1	BENCH TOP	1 PC
2	SEAT FRAME	1 PC
3	LEG	4 PCS

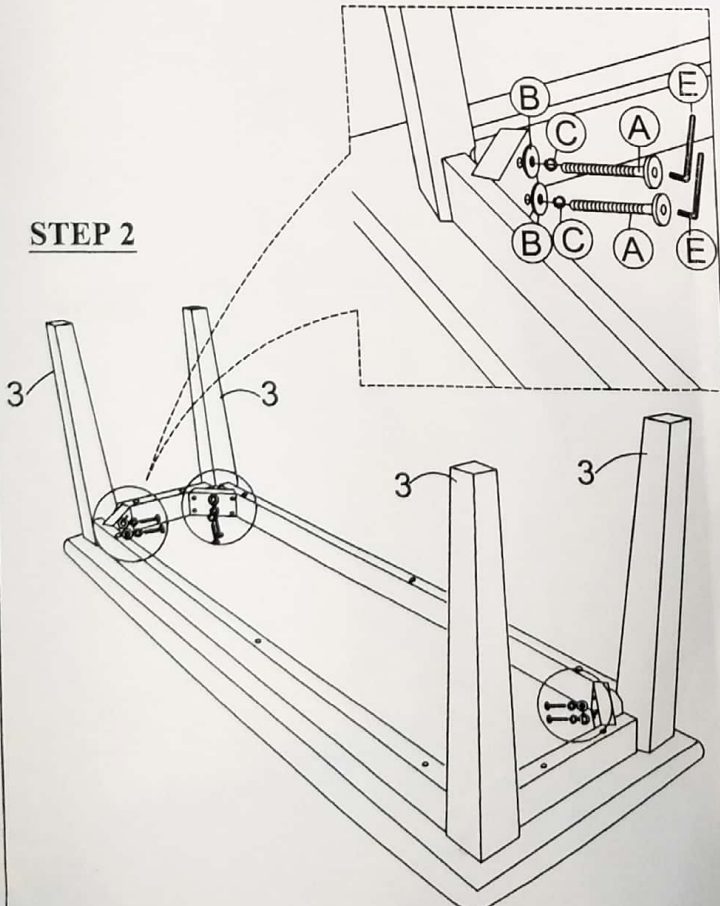
	DESCRIPTION		QTY
A	JCBC SCREW		8 PCS
B	FLAT WASHER		8 PCS
C	SPRING WASHER		8 PCS
D	CSK SCREW		10 PCS
E	ALLEN KEY		1 PC



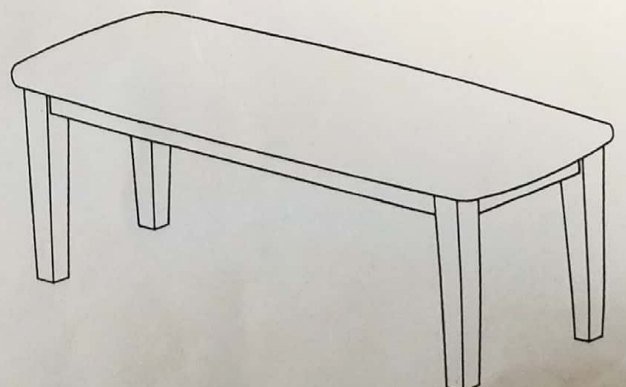
STEP 1



STEP 2



FULLY SETUP



ASSEMBLY INSTRUCTION

IMPORTANT NOTE :

* PLACE ALL WOODEN PARTS ON A CLEAN AND SMOOTH SURFACE SUCH AS A RUG OR CARPET TO AVOID THE PARTS FROM BEING SCRATCHED.

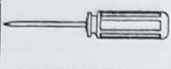

* BEFORE YOU BEGIN, KINDLY FOLLOW THE ASSEMBLY INSTRUCTIONS STEP BY STEP.

PARTS LIST

NO	DESCRIPTION	QTY
1	BACK REST	1 PC
2	SEAT FRAME	1 PC
3	FRONT LEG	2 PCS
4	SEAT	1 PC

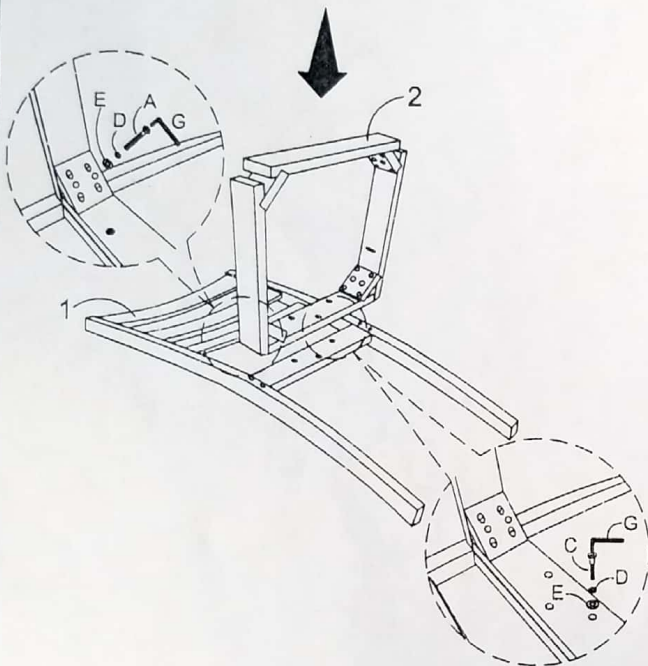
HARDWARE LIST

NO	DESCRIPTION	QTY
A	JCBC SCREW (LONG)	4 PCS
B	JCBC SCREW (MEDIUM)	4 PCS
C	JCBC SCREW (SHORT)	3 PCS
D	SPRING WASHER	11 PCS
E	FLAT WASHER	11 PCS
F	CSK SCREW	4 PCS
G	ALLEN KEY	1 PC

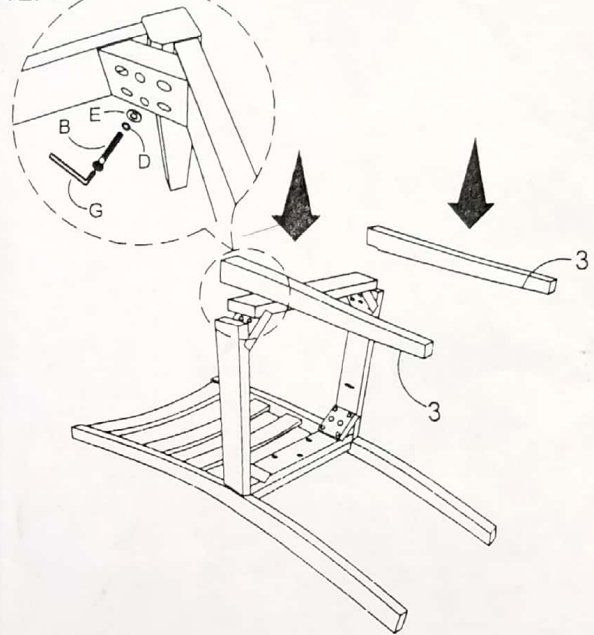



ATTENTION:-
HAMMMER AND SCREW DRIVER NOT INCLUDED

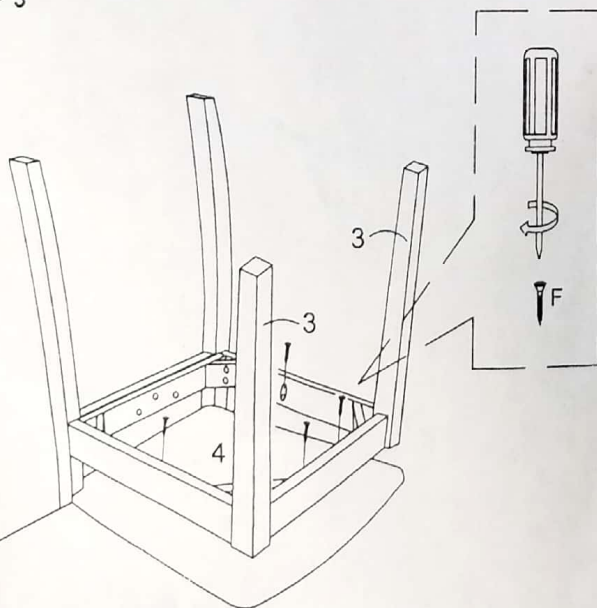
STEP 1



STEP 2



STEP 3



COMPLETE ASSEMBLED

