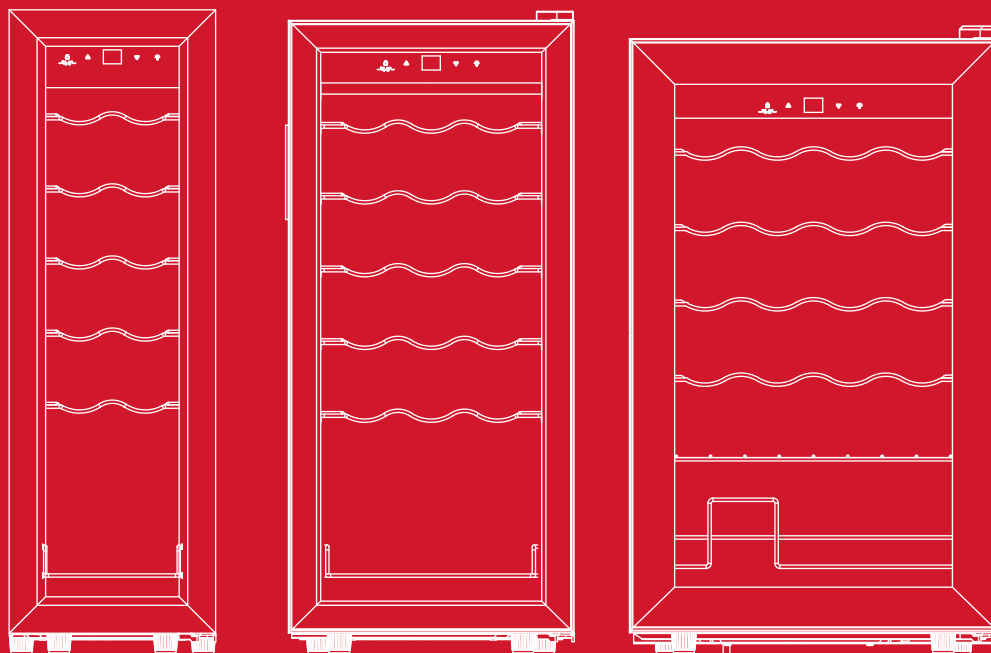


TCL

Hi! Let's Get Started.



TRW12F6AS / TRW18F6AS / TRW24F6AS
Compressor Wine Cooler

User Manual

Table of Contents

English

Register and Protect Your Purchase	3
Important Safety Information (Please Review Before Use)	4
Customer Support Hotline	6
Product Legend	7
Installation	10
Technical Data	11
Electrical Circuit Diagram	12
Installation Instructions	13
Operating Your Beverage Cooler	15
Trouble Shootings	16

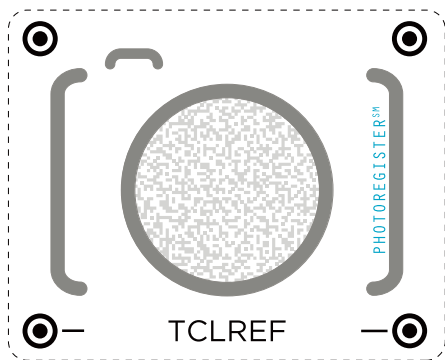
Español

Registre y Proteja su Compra	19
Información Importante Sobre Seguridad (Revisar Antes de Usar el Producto)	20
Línea de Atención al Cliente.....	22
Leyenda del Producto	23
Instalación.....	26
Datos técnicos	27
Diagrama del circuito eléctrico	28
Instrucciones de instalación	29
Funcionamiento de su refrigerador de bebidas	31
Resolución de problemas	32

Français

Enregistrez et Protégez Votre Achat	35
Informations Importantes sur la Sécurité (à Lire Avant Utilisation)	36
Ligne D'assistance à la Clientèle.....	36
Légende du Produit	39
Installation	42
Données techniques	43
Schéma du circuit électrique	44
Instructions d'installation	45
Fonctionnement de votre refroidisseur de boissons	47
Résolution des problèmes	48

Register and protect your purchase



Register easily with your smartphone

Text a photo of the camera icon to 71403

Or register online at register.tcl.com

Need help? Visit photoregister.com/help or text HELP to 71403

Add a TCL Protection Plan when you register your product and be covered from life's mishaps

Thank you for choosing TCL. We want your ownership experience to bring you as much joy as the product you purchased does, so we're offering you a special price on TCL Protection Plans when you purchase during registration. Add a TCL Protection Plan within your first 30 days of ownership to receive the best value and we'll make sure nothing gets in the way of you enjoying your new product.

Benefits & Description


	PROTECT	PLUS
Extended Manufacturer Coverage Extended parts & labor coverage for manufacturer defects.	Up To 4 Years	Up To 4 Years
Priority Service Free shipping and rapid turn-around time.	3-5 Days	3-5 Days
Product Replacement Free 1-time replacement if product cannot be fixed.	+	+
TCL Parts & Service Genuine TCL parts & factory certified service.	+	+
No Deductible \$0 out of pocket expense.	+	+
Accidental Damage Protection Coverage for drops, breaks and spills starts after 30 days.		+


*Extended service plans (i.e., "Protect" and "Plus" plans) are only offered in the United States (US). All TCL products continue to offer a limited consumer warranty in both the US and Canada. Please refer to the warranty section in this guide for additional details on warranty information.

SAFETY INFORMATION

WARNING! To reduce the risk of fire, electric shock, or personal injury, thoroughly read the manual and all instructions completely and carefully. Store this manual in a safe place for future reference. All owners, current or future, must have access to this manual.

- To avoid accidents or serious injury, all people using this appliance must be familiar with the contents of this User Manual, including Safety Information. The manufacturer is not responsible for damages or injury caused using this device out of normal operations.
- This appliance is not recommended for use by children ages 8 years and under and persons with reduced physical, sensory, or mental capabilities unless supervised, unless they have been given supervision or instruction concerning use of the appliance by a person responsible for their safety.
- This product is not a toy. Children shall not play with or inside the appliance. Small children and pets should be supervised when using the fridge.
- Cleaning and maintenance should be conducted by a suitable adult or child ages 8 and above under supervision.
- When discarding the appliance, make sure to unplug the appliance and wait a while before cutting the power cable (as close to the appliance as possible) and remove the door to prevent children from playing with the appliance and, subsequently, reducing the risk of serious injury or death from electric shock or suffocation.
- If this appliance features a magnetic door seal and is to replace an older appliance with a spring lock (latch) on the door or lid, be sure to remove, disable, or make the spring lock unusable before discarding the appliance to prevent serious injury or death. This appliance is intended to be used in household and similar applications such as
- The appliance is not suitable for camping
- The appliance shall not be exposed to rain

 **CAUTION:** Clearance between doors is small and fingers can be pinched. Be careful when opening and closing the doors, especially if children are in the area.

 **WARNING:** To avoid the danger of suffocation, keep plastic packaging away from pets, babies, and children. Do not use packaging bags in cribs, beds, carriages, or playpens.

 **DANGER:** Risk of child entrapment. Before you throw away an old refrigerator or freezer:

- Take off the doors
- Leave the shelves in place so that children may not easily climb inside.

IMPORTANT SAFETY INSTRUCTIONS

 **WARNING!** Risk of Fire / Flammable Materials



- Do not puncture refrigerant tube
- R-600a is used as a refrigerant. This product contains flammable gas (Refrigerant R-600a)
- CAUTION: Risk of fire or explosion. Dispose of refrigerator and refrigerant in accordance with federal and local regulations.
- When disposing of a refrigerator, remove doors, door seals, and door latches to avoid entrapment of children and animals.
- In order to avoid the creation of a flammable gas-air mixture in the event that a leak in the refrigerating circuit occurs, the size of the room in which the appliance may be placed depends on the mass of the refrigerant loaded in the system. The room must be 35.3 ft³ in size for every 8 grams of R-600a refrigerant inside the appliance. Please refer to the rating label on the back of refrigerator to determine the amount of R-600A refrigerant used in this product.
- The installation location should not be exposed to direct sunlight and not placed near any electrical appliance or heat source, e.g. stove, oven or hob, radiator, etc.

GENERAL SAFETY

- **WARNING!** Keep the appliance's ventilation openings clear of obstruction.
- **WARNING!** Do not damage the refrigerant circuit.
- **WARNING!** If there is a lightbulb in your unit, do not touch it if it has been on for an extended period of time as it could be very hot and may result in serious injury.
- **WARNING!** When positioning the appliance, ensure the supply cord is not trapped or damaged.
- **WARNING!** Do not locate multiple portable socket-outlets or portable power supplies at the rear of the appliance.
- **WARNING!** Do not use extension cords or ungrounded (two-prong) adapters.
- **WARNING!** Do not use mechanical devices or other means to accelerate the defrosting process, other than those recommended by the manufacturer.
- **WARNING!** Do not use electrical appliances inside the food storage compartments of the appliance, unless they are of the type recommended by the manufacturer.

NEVER plug multiple appliances into the same outlet.

- Make sure that the power plug is not crushed or damaged by the back of the appliance.
- A crushed or damaged power plug may overheat and cause a fire, resulting in injury or death.
- Do not bend, twist, pull or place heavy objects on the power cord or supply.
- Do not store explosive substances such as aerosol cans with a flammable propellant in this appliance.
- The refrigerant isobutane (R600a) is contained within the refrigerant circuit of the appliance, a natural gas with a high level of environmental compatibility, which is flammable. Be sure to keep open flames, sources of ignition, and high heat sources away from the unit.
- Ensure that none of the refrigerant circuit components become damaged during transportation and installation.
- Make sure the room where the unit will be installed has thorough ventilation.
- It is dangerous to alter the specifications or modify this product in any way. Any damage to the cord may cause a short circuit, fire and/or electric shock.
- This appliance is intended to be used in household and similar applications such as:
 - Staff kitchen areas in shops, offices, and other working environments
 - Farmhouses and by clients in hotels, motels, and other residential-type environments
 - Bed and breakfast type environments
 - Catering and similar non-retail applications environments
- This appliance is designed for indoor use only.

- ⚠ **WARNING!** Any electrical components (plug, power cord, compressor and etc.) must be replaced by a certified service agent or qualified service personnel. Contact our support team for help.
- ⚠ **WARNING!** The light bulb supplied with this appliance is designed explicitly for this appliance and should not be used in any other device, lamp, or similar application outside of its intended use in this machine.

- The refrigerator must be plugged into its own dedicated 115 Volt, 60 Hz., 15 Amp, AC only electrical outlet. Do not lengthen or shorten the cord. The power cord of the appliance is equipped with a three-prong grounding plug for your protection against electrical shock hazards. It must be plugged directly into a properly grounded three prong receptacle. The receptacle must be installed in accordance with local codes and ordinances.
- Make sure you have quick access to the outlet the appliance is plugged into in case of an emergency where disconnection is quickly needed.
- Make sure the appliance is plugged into a wall main outlet and not into any power strip or similar device.
- Do not pull on the main power cable.
- If the power socket is loose, do not use it for the appliance under any circumstance as it may result in electric shock or fire.
- You must not operate the appliance without the lamp (if applicable to your unit).
- The appliance is heavy. Care should be taken when moving it. Team lift is recommended.
- Avoid prolonged sunlight exposure to the appliance.
- If the **SUPPLY CORD** is damaged, it must be replaced by the manufacturer, its service agent or similarly qualified persons in order to avoid a hazard.

⚠ **WARNING:** Risk of child entrapment. Before you throw away your old refrigerator or freezer:

- Take off the doors.
- Leave the shelves in place so that children may not easily climb inside.

DAILY USE

- Do not put hot objects or devices on the plastic parts in the appliance.
- If the appliance is left empty for long periods, switch off, defrost, clean, dry and leave the door open to prevent mold developing within the appliance.

CARE AND CLEANING

- Before maintenance, switch off the appliance and disconnect the power plug from the main socket.
- Do not clean the appliance with metal objects.

DO NOT RETURN TO STORE

**WE ARE
READY TO
HELP** contact us first
with any questions



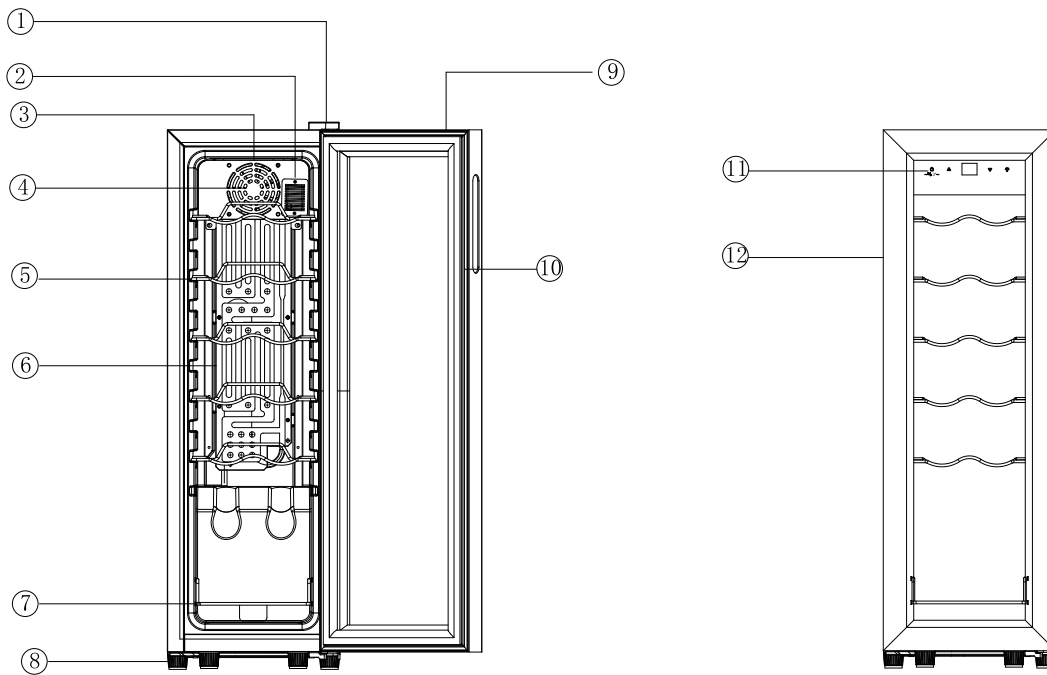
TCL SUPPORT:
support.tcl.com/us
1-877-300-9134



**BE CAREFUL WHEN REMOVING
THE REFRIGERATOR**

Product Legend

TRW12F6AS

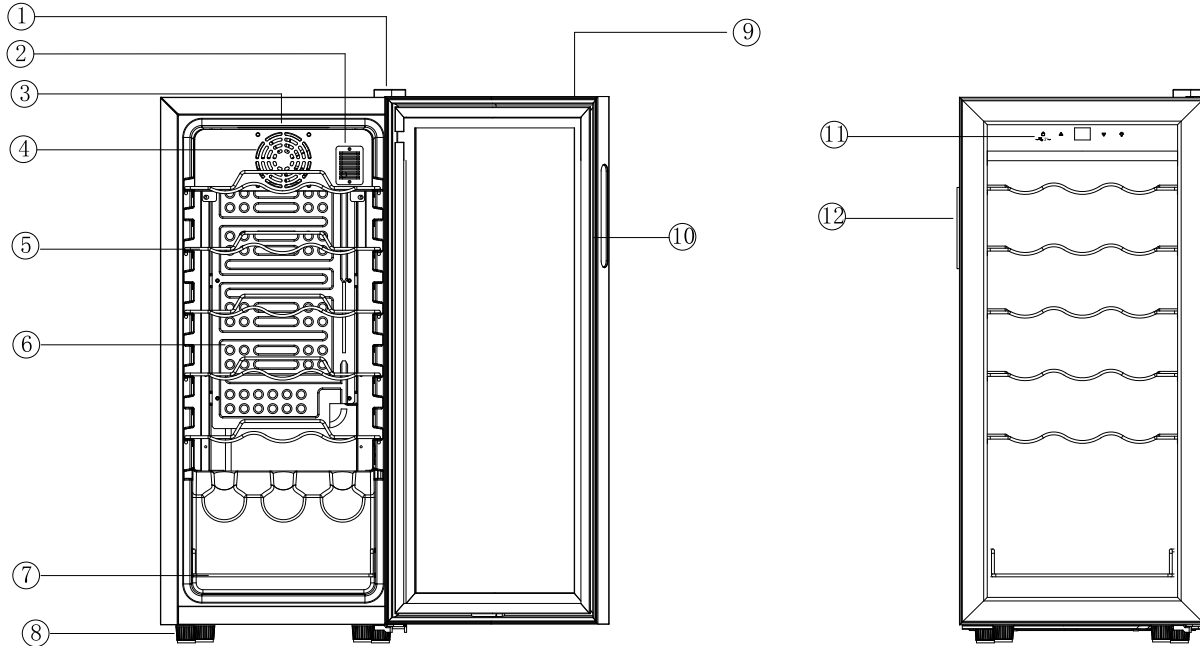


- 1. Up Hinge
- 2. NTC
- 3. Light
- 4. Fan

- 5. Wire Shelf
- 6. Evaporator
- 7. Bottom Rack
- 8. Foot

- 9. Door
- 10. Door Seal
- 11. Temperature Panel
- 12. Handle

TRW18F6AS

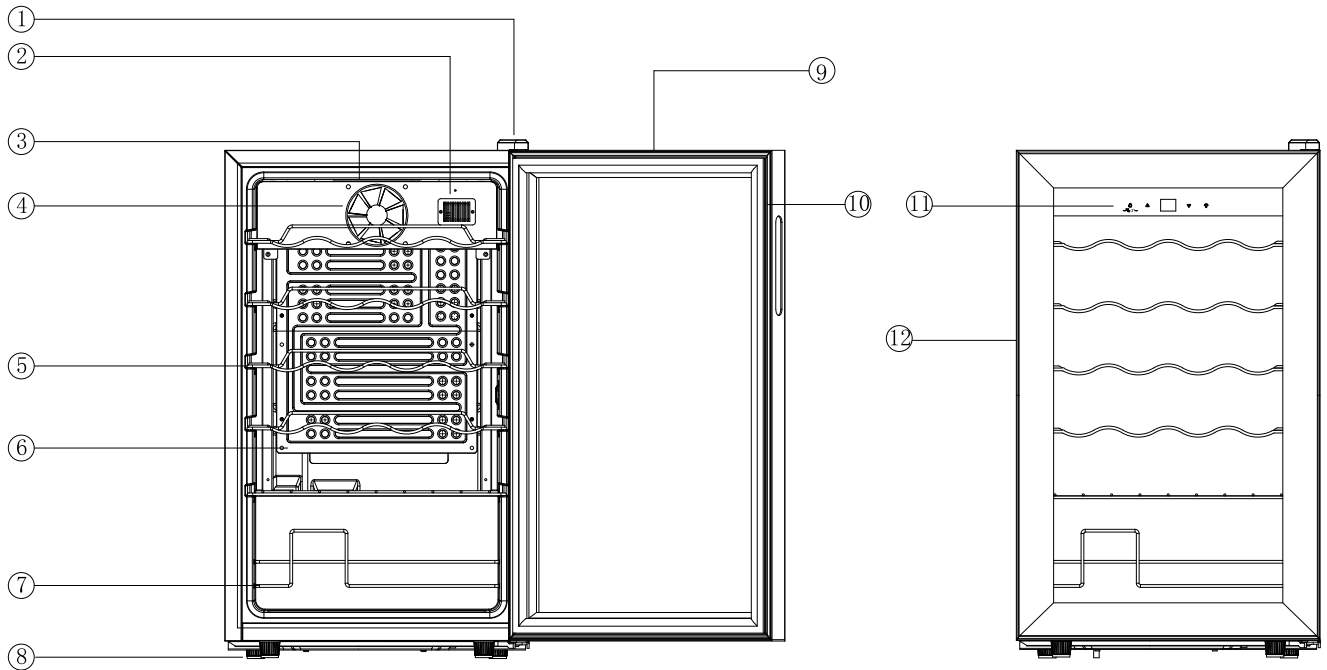


- 1. Up Hinge
- 2. NTC
- 3. Light
- 4. Fan

- 5. Wire Shelf
- 6. Evaporator
- 7. Bottom Rack
- 8. Foot

- 9. Door
- 10. Door Seal
- 11. Temperature Panel
- 12. Handle

TRW24F6AS



1. Up Hinge
2. NTC
3. Light
4. Fan

5. Wire Shelf
6. Evaporator
7. Bottom Rack
8. Foot

9. Door
10. Door Seal
11. Temperature Panel
12. Handle

INSTALLATION

- **IMPORTANT!** For electrical connection, carefully follow the instructions given in the following points.
- The refrigerator must be disconnected from the source of electrical supply before attempting the installation.
- Only use accessories as indicated and not for any other use.
- Remove all protective plastic before using the appliance.
- Unpack the appliance and check if there is any damage to it. Do not connect the appliance if it is damaged. Report possible damages immediately to the retailer you purchased from. In the case of any damages, keep the packaging for proof.
- We advise waiting at least four hours before plugging in the appliance to allow the oil to flow back into the compressor.
- There should be adequate air circulation around the appliance. Poor air circulation may lead to overheating. To achieve sufficient ventilation, follow the instructions relevant to installation.
- Wherever possible, make sure the product spacers are against a wall to avoid touching or catching warm parts (compressor, condenser), resulting in possible burning.
- The appliance must not be located adjacent to radiators or cookers.
- Make sure that the power plug is accessible after installing the appliance.
- Allow the refrigerator to stand for 2-3 hours after installation before placing food inside.

SERVICE

- A qualified electrician should carry out any electrical work or service required.
- An authorized Service Center must service this product, and only genuine spare parts must be used.

ENVIRONMENT PROTECTION

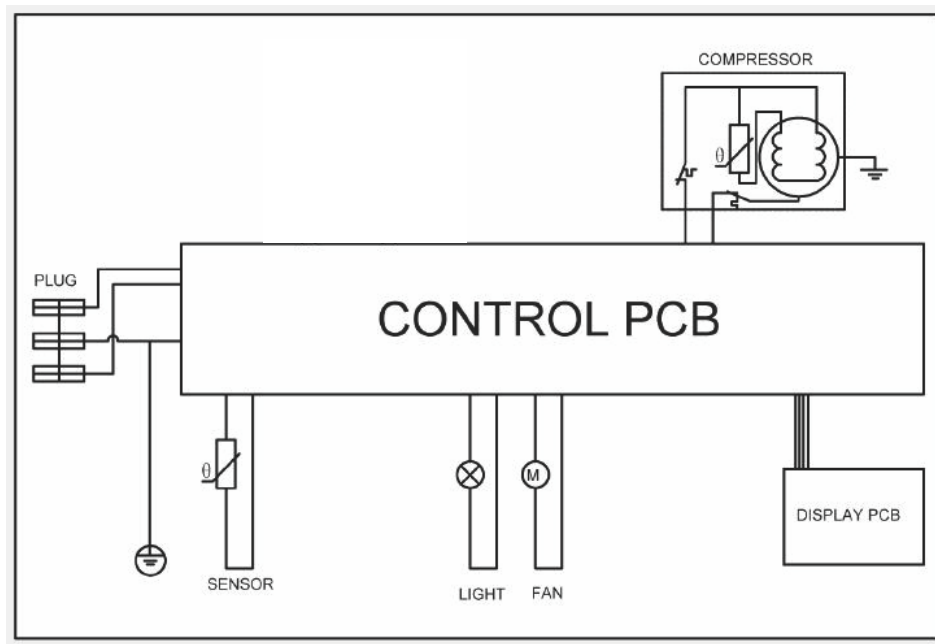
This appliance does not contain gasses that could damage the ozone layer in either its refrigerant circuit or insulation materials. The appliance should not be discarded in urban refuse and rubbish. The insulation foam contains flammable gases: the appliance should be disposed of according to local authorities. Avoid damaging the cooling unit, especially the heat exchanger. The - 7 - materials used in this appliance marked by the recycle symbol are recyclable. This symbol on the product or on its packaging indicates that this product may not be treated as typical household waste. Instead, it should be taken to the appropriate collection point for the recycling of electrical and electronic equipment. Ensuring this product is disposed of correctly will help prevent potential negative environmental and human health consequences, which could otherwise be caused by inappropriate waste handling of this product. For more detailed information about the recycling of this product, please contact your local council, your household waste disposal service or the shop where you purchased the product.

TECHNICAL DATA

MODEL NO.	TRW12F6AS	TRW18F6AS	TRW24F6AS
Capacity	35L	51L	68L
Voltage	AC 110-120V	AC 110-120V	AC 110-120V
Rated Current	1.2A	1.2A	1.2A
Frequency	60Hz	60Hz	60Hz
Protection Class	I	I	I
Climate class	T/ST/N/SN	T/ST/N/SN	T/ST/N/SN
Temperature Control Range	5~18°C/40~66°F	5~18°C/40~66°F	5~18°C/40~66°F
Refrigerant	R600a	R600a	R600a
Refrigerant Volume(g)	17g	17g	23g
Net Weight	16.7kg/36.82Lbs	19.4kg/42.77Lbs	21.8kg/48.06Lbs
Gross Weight:	19.9kg/43.87Lbs	22.5kg/49.6Lbs	25.5kg/56.22Lbs
Product size (WxHxD):	9.9"x31.6"x17.3"inch	13.6"x30.7"x17.3"inch	17.3"x29.5"x17.5"inch
Packing size(WxHxD):	13.5"x36.8"x20.6"inch	16.9"x35.8"x20.7"inch	21.1"x34.6"x21.06"inch

ELECTRICAL CIRCUIT DIAGRAM

TRW12F6AS / TRW18F6AS / TRW24F6AS



SAFETY PRECAUTIONS

⚠ **WARNING!** To reduce the risk of fire, electrical shock, or injury when using your appliance, follows these basic precautions;

- **PLEASE READ** all instructions before installing, operating, or servicing the appliance.
- Danger and Warning: Failure to follow this safety statement will result in severe personal injury or death, property or equipment damage.
- **RISK OF CHILD ENTRAPMENT.** Before you throw away your old refrigerator or freezer, take off the doors and leave shelves in place so children may not easily climb inside. Keep children away from the beverage cooler, avoid fingers in air outlet on the kick plate.
- **SHOCK HAZARD** - Electrical Grounding required.
- Never attempt to repair or perform maintenance on the unit until the electricity has been disconnected.
- Never remove the round grounding prong from the plug and never use a two-prong grounding adaptor.
- Altering, cutting of power cord, removal of power cord, removal of power plug, or direct wiring can cause serious injury, fire or loss of property and life, and will void the warranty.
- Never use an extension cord to connect power to the unit.
- Always keep the working area dry

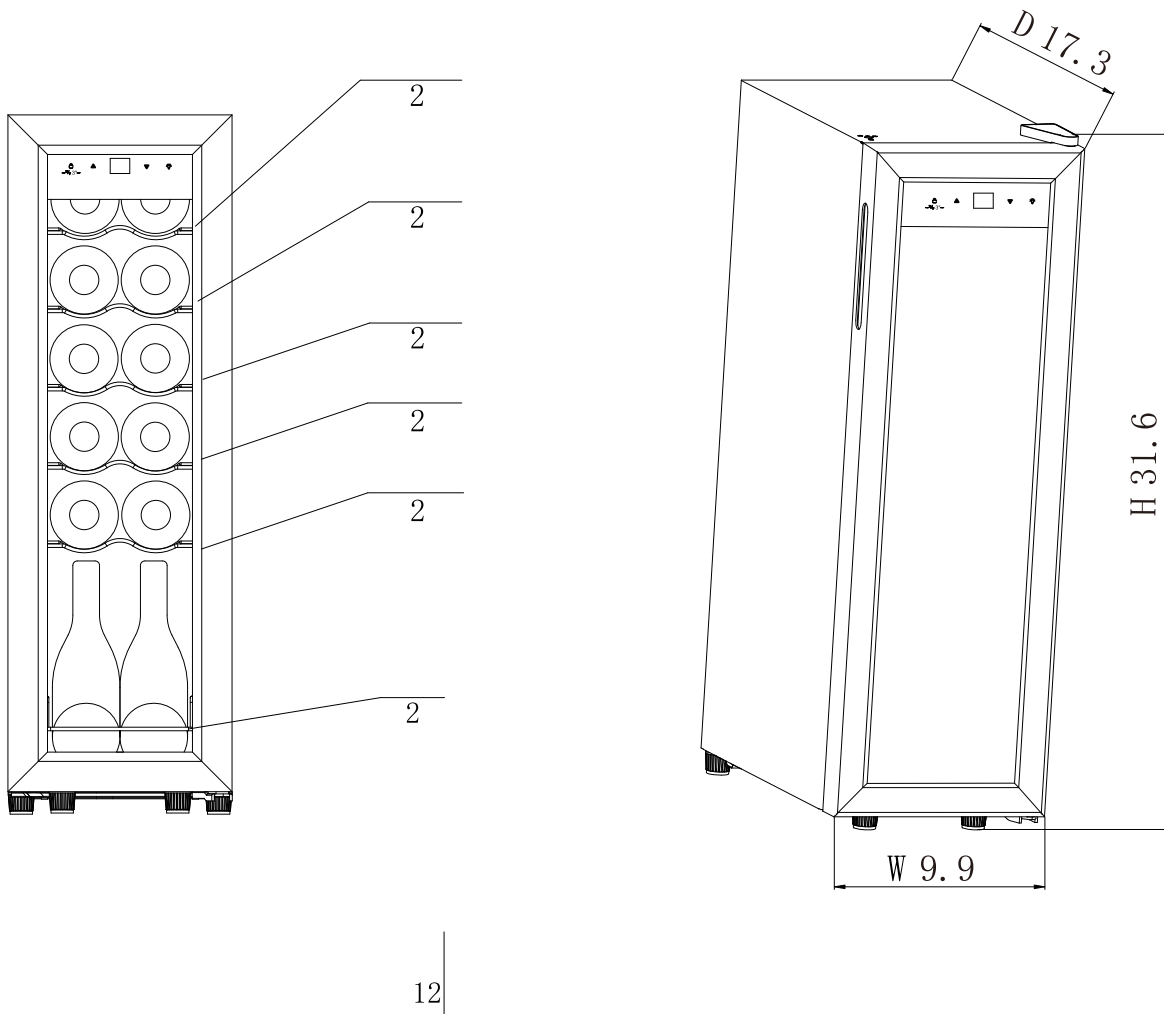
IMPORTANT PRECAUTIONS

- Do not lift unit by door handle.
- Do keep the door closed before installing into cabinet.
- Be sure the kick-plate on the front bottom is free from obstruction. Obstructing free airflow can cause the unit to malfunction and will void the warranty.
- Allow unit temperature to stabilize for 24 hours before use.
- Do not block any internal fans.
- Use only genuine supplier's replacements parts. Imitation parts can damage the unit, affect its operation or performance and may void the warranty.

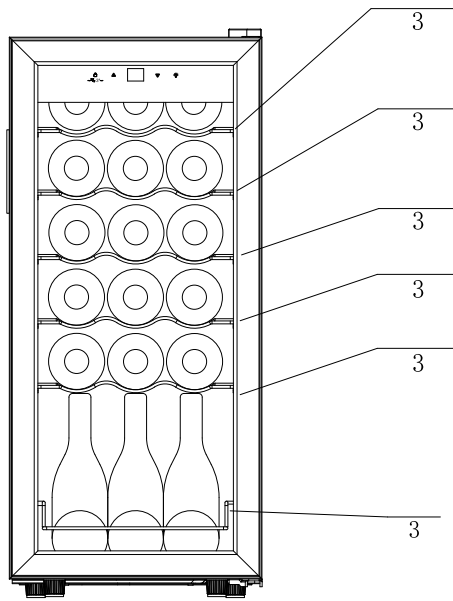
INSTALLATION INSTRUCTIONS

- Before using your wine cooler
- Remove the exterior and interior packing
- Before connecting the appliance to the power outlet, let it stand up right for approximately 24 hours. This will reduce the possibility of malfunction in the cooling system from handling during transportation.
- Clean the interior surface with lukewarm water using a soft cloth.
- Place your appliance on a floor that is strong enough to support the appliance when it is fully loaded.
- To level your appliance, adjust the front legs at the bottom of the appliance.

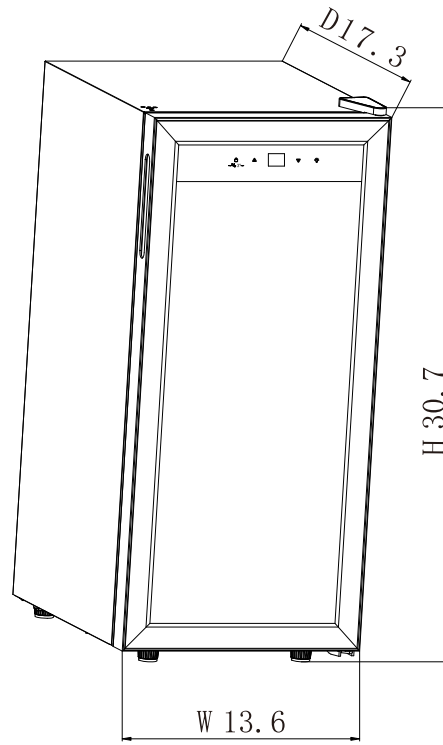
TRW12F6AS SUGGEST CABINET DIMENSION:



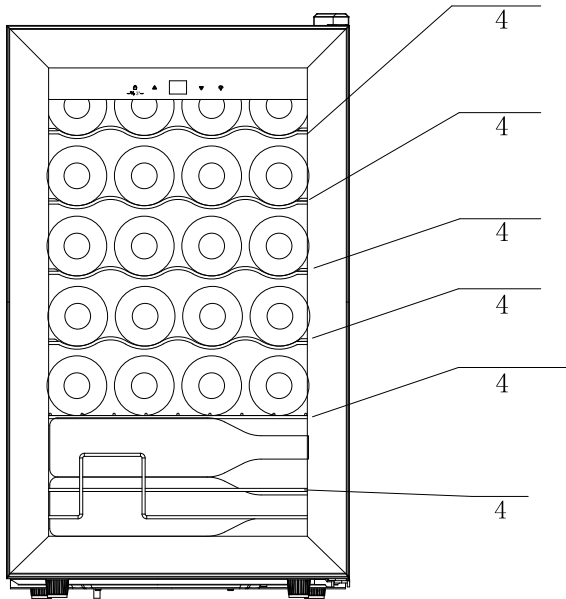
TRW18F6AS SUGGEST CABINET DIMENSION:



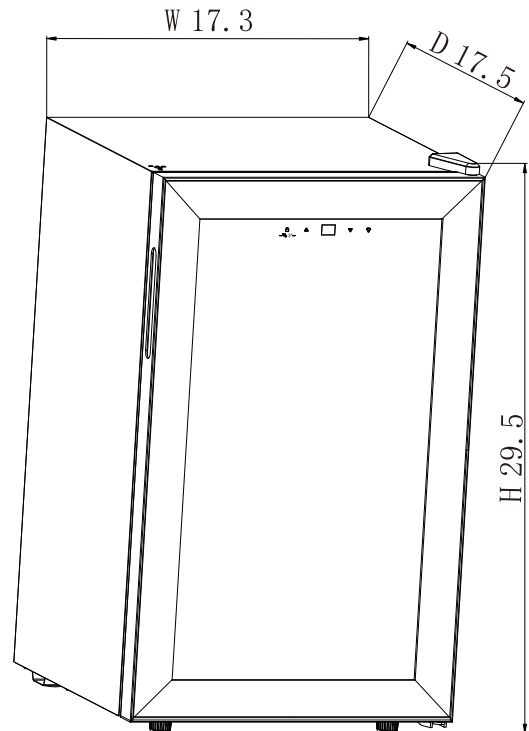
18



TRW24F6AS SUGGEST CABINET DIMENSION:



24




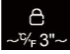



OPERATING YOUR WINE COOLER

The Control Panel:

TRW12F6AS / TRW18F6AS / TRW24F6AS



- Your Cooler is equipped with a control panel lock feature which will lock itself automatically around 30 seconds after the last time a button is pressed.
- Press the  button to unlock the control panel.
- You can manually adjust the temperature inside the Cooler by pressing the buttons on the display panel. The two buttons on the panel  and  would adjust the temperature by 1 °C between 5-18°C or 1 ° F between 40~66° F.
- You can select the temperature to display in Fahrenheit or Celsius by pressing the  button for 2-4 seconds.
- You can turn the interior light on or off by pressing the  button.

CARE AND MAINTENANCE

CLEANING YOUR WINE COOLER

- Unplug the wine cooler and remove the bottles.
- “Wash the inside with warm water or baking soda solution. The solution should be about 2 tablespoons of baking soda to a quart of water.”
- The outside of wine cooler should be cleaned with mild detergent or warm water.

MOVING YOUR WINE COOLER

- Remove all the bottles.
- Securely tape down all loose items inside your wine cooler.
- Turn the leveling legs up to the base to avoid damage.
- Tape the door.
- Be sure the wine cooler stays in the upright position during transportation.

TROUBLESHOOTING

⚠ Caution! You can solve many common wine cooler problems easily, saving you the cost of a possible service call. Try the suggestion below to see if you can solve the problem before calling the service center.

PROBLEM	POSSIBLE CAUSES	SOLUTIONS
Appliance does not work.	Wine cooler do not operate.	Not plugged in using different voltage. The circuit breaker tripped or a blown fuse.
	Wine cooler is not cold enough.	Check the temperature control setting. The door is open too often. The door is not closed completely. The door seal does not seal properly. The wine cooler does not have the correct clearance."
	The light does not work.	Main control board does not work. PCB Problem. There is some problem with the plug.
	The door will not close properly.	The wine cooler is not leveled. The doors were reversed and not properly installed. The seal is weak. The shelves out of position.
	Buttons are not functional.	Temperature controller panel is damaged.
Appliance creates unusual movement.	Vibrations	Check to assure that the wine cooler is leveled.
Heavy build up of water on the glass door.	Condensation water on glass door.	If the ambient temp. or humidity is very high, and the temp. difference between cabinet and outside is big, it will result in condensation on outside of the glass. This is a normal physical phenomenon. Solution:
Unusual noises and smell.	The wine cooler seems to make too much noise.	The wine cooler is not leveled. Check the fan.
	Odors in the wine cooler.	Open the door or put some tangelo, charcoal to get rid of odors.
LED functons does not work.	LED could not display.	Main control board does not work. PCB Problem. There is some problem with the plug.
	LED display error.	Weak quality of display. Temperature point is out off.

If the malfunction shows again, contact the Service Center.

**TCL NORTH AMERICA
LIMITED PRODUCT WARRANTY**

What your warranty covers: Defects in materials or workmanship to the **original owner** of this TCL product when purchased as new from an Authorized Dealer of TCL brand products and packaged with this warranty statement.

<p>WARRANTY PERIOD (NON-COMMERCIAL USE):</p> <p>Labor: Twelve (12) Months from the original date of purchase. Parts: Twelve (12) Months from the original date of purchase.</p>	<p>WARRANTY PERIOD (COMMERCIAL USE):</p> <p>Labor: Six (6) Months from the original date of purchase. Parts: Six (6) Months from the original date of purchase.</p>
--	--

Commercial Use includes, but is not limited to, the use of this product in a commercial or business environment, the use of this product in an institution or for institutional purposes, or for other commercial purposes including rental purposes.

Should your TCL device prove to be defective in material or workmanship under normal use during the warranty period listed above, effective from the date of original consumer purchase of the product, TCL North America at its sole discretion will, (1) pay an Authorized TCL Service Center for both labor charges and parts to repair your device, or (2) replace your device with a new or refurbished/recertified equivalent product. If repaired at an Authorized TCL Service Center, TCL is not responsible for the transportation costs to the Authorized TCL Service Center. However, TCL will pay for the return shipping. TCL will provide instructions for the packaging and shipping of the unit. Units that are improperly packed and damaged during shipping are not covered under this limited product warranty. This limited product warranty is good only to the original purchaser of the product and effective only when used in North America. You must have your original purchase receipt or proof of purchase (bill of sale or receipted invoice) which states the condition of the unit (new, used), the unit's date of purchase, place of purchase, and model/serial number.

HOW SERVICE IS HANDLED: Call 1-800-825-6747 and choose the appropriate prompt. Please have product type, model number, serial number, and ZIP code ready. Troubleshooting and prior approval from a TCL representative **MUST** occur before sending in your product for repair.

Product Registration Information

You can find the model number and serial number on a label on the back or side of the product. **Register your product online at register.tcl.com.**

NO OTHER WARRANTY IS APPLICABLE TO THIS PRODUCT. THIS LIMITED WARRANTY IS IN LIEU OF ANY OTHER WARRANTY, EXPRESS OR IMPLIED, INCLUDING WITHOUT LIMITATION, ANY WARRANTY OF MERCHANTABILITY OR FITNESS FOR A PARTICULAR PURPOSE. TO THE EXTENT ANY IMPLIED WARRANTY IS REQUIRED BY LAW, IT IS LIMITED IN DURATION TO THE EXPRESS WARRANTY PERIOD ABOVE. NEITHER THE MANUFACTURER NOR ITS DISTRIBUTOR SHALL BE LIABLE FOR ANY INCIDENTAL, CONSEQUENTIAL, INDIRECT, SPECIAL, OR PUNITIVE DAMAGES OF ANY NATURE, INCLUDING WITHOUT LIMITATION, LOST REVENUES OR PROFITS, OR ANY OTHER DAMAGE WHETHER BASED IN CONTRACT, TORT, OR OTHERWISE. SOME STATES AND/OR TERRITORIES DO NOT ALLOW THE EXCLUSION OR LIMITATION OF INCIDENTAL OR CONSEQUENTIAL DAMAGES OR LIMITATIONS ON THE LENGTH OF TIME AN IMPLIED WARRANTY LASTS, SO THE ABOVE EXCLUSION OR LIMITATION MAY NOT APPLY TO YOU. THIS LIMITED WARRANTY GIVES YOU, THE ORIGINAL PURCHASER, SPECIFIC LEGAL RIGHTS AND YOU MAY ALSO HAVE OTHER RIGHTS THAT VARY FROM STATE TO STATE OR TERRITORY TO TERRITORY. THIS WARRANTY IS SUBJECT TO CHANGE WITHOUT NOTICE. PLEASE VISIT WWW.TCL.COM/US TO VIEW THE MOST CURRENT VERSION.

THIS LIMITED PRODUCT WARRANTY DOES NOT APPLY TO:

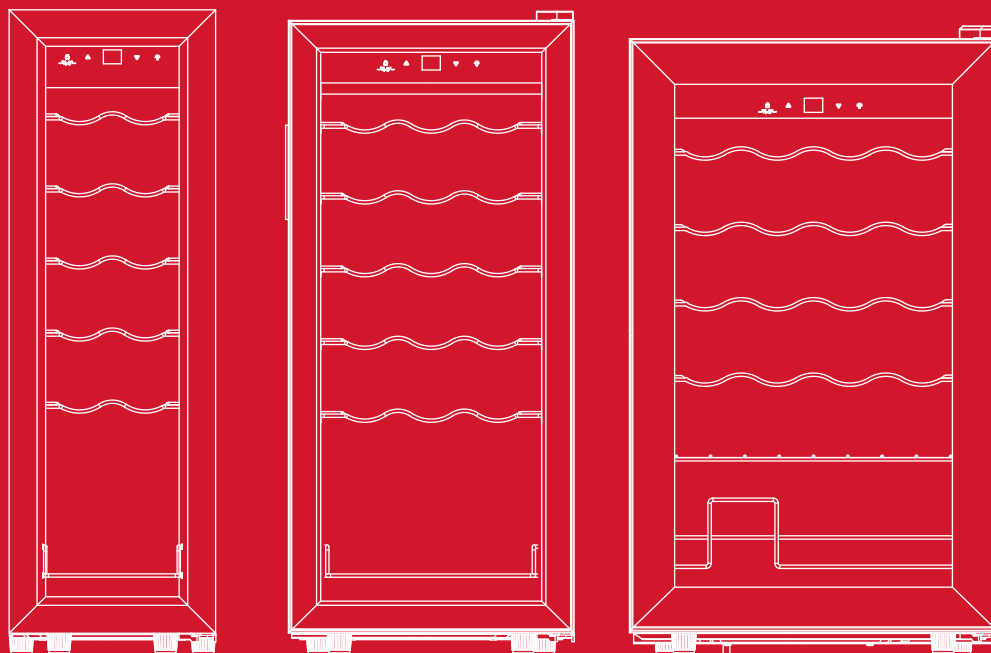
1. Service calls to your home for delivery or pick-up, installation, instruction, replacement of house fuses, connection of house wiring or plumbing, or to correct unauthorized repairs.
2. Failure of the product to perform due to wireless signal reception problems not caused by your unit, or due to power failures or interruptions or inadequate electrical service.
3. Damage caused by transportation or handling, including damage during shipment from a Retailer (please contact your Retailer for assistance).
4. Damage caused to the product by accident, vermin, lightning, wind(s), fire, flood(s), or act(s) of God.
5. Damage caused by operating the product in a corrosive or wet atmosphere.
6. Repairs when your TCL product is used in other-than-normal, single-family household use, or contrary to the instructions described in the product User's Guide.
7. Damage resulting from accident, alteration, misuse, abuse, neglect, insects, normal wear-and-tear, cosmetic damage, mishandling, power line surges, improper or faulty installation, or improper repair or maintenance. Improper repair includes the use of parts not approved or specified by TCL.
8. Markings or images on the product's display panel.
9. Normal maintenance as described in the User's Guide (including but not limited to cleaning or replacing filters, cleaning coils, or other normal maintenance).
10. Use of accessories or components that are not compatible with this product.
11. Products with altered, missing, defaced, unreadable, or removed serial numbers.
12. Changes in the appearance of the product that do not affect product performance.
13. Increases in utility costs and/or additional utility expenses.
14. Products purchased from non-authorized TCL resellers.
15. Products sold in any condition other than new from the original manufacturer or sold outside of North America.

The cost of repair or replacement under these excluded circumstances shall be borne by the consumer.

CONTACT INFORMATION:

TCL North America
189 Technology Dr,
Irvine, CA, 92618.
1-877-300-9134
www.tcl.com/us

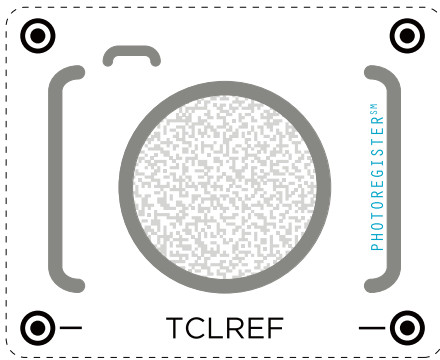
¡Hola! Comencemos.



TRW12F6AS / TRW18F6AS / TRW24F6AS
Cava de vinos con compresor

Manual de instrucciones

Registre y proteja su compra



Regístrese fácilmente con su teléfono inteligente

Envíe un mensaje de texto con una foto del icono de la cámara al 71403

O regístrese en línea en register.tcl.com

¿Necesita ayuda? Visite photoregister.com/help o envíe un mensaje de texto que diga HELP al 71403

Agregue un Plan de protección de TCL cuando registre el producto, a fin de contar con cobertura contra los contratiempos que la vida presenta.

Gracias por elegir TCL. Queremos que disfrute de la experiencia de propiedad tanto como disfruta del producto adquirido, por lo que, cuando realice la compra, le ofreceremos un precio especial en planes de protección de TCL durante el registro. Agregue un Plan de protección TCL dentro de los primeros 30 días de ser propietario para recibir el mejor valor y nos aseguraremos de que nada se interponga en el camino para que disfrute de su nuevo producto.

Beneficios y descripción


	PROTECT	PLUS
Cobertura extendida del fabricante Cobertura ampliada de piezas y mano de obra por defectos de fabricación.	Hasta 4 años	Hasta 4 años
Servicio prioritario Envío gratuito y tiempo de respuesta rápido.	De 3 a 5 días	De 3 a 5 días
Reemplazo del producto 1 reemplazo gratuito si el producto no se puede reparar.	+	+
Piezas y servicio TCL Piezas TCL originales y servicio certificado de fábrica.	+	+
No deducible \$0 de gastos de bolsillo.	+	+
Protección contra daños accidentales La cobertura para caídas, roturas y derrames comienza después de 30 días.		+


*Los planes de servicio extendido (es decir, los planes "Protect" y "Plus") solo se ofrecen en los Estados Unidos (EE. UU.). Todos los productos de TCL continúan ofreciendo una garantía limitada al consumidor tanto en los EE. UU. como en Canadá. Consulte la sección de garantía de esta guía para obtener más información sobre la garantía.

INFORMACIÓN DE SEGURIDAD

ADVERTENCIA! Para reducir el riesgo de incendio, descarga eléctrica o lesiones personales, lea detenidamente el manual y todas las instrucciones de forma completa y cuidadosa. Guarde este manual en un lugar seguro para hacer futuras consultas. Todos los propietarios, actuales o futuros, deben tener acceso a este manual.

- Para evitar los accidentes o las lesiones graves, todas las personas que utilicen este aparato deben estar familiarizadas con el contenido de este Manual del usuario, incluida la Información de seguridad. El fabricante no se hace responsable de los daños o lesiones causados por el uso de este dispositivo fuera de su funcionamiento normal.
- No se recomienda que niños de 8 años o menos ni que las personas con capacidades físicas, sensoriales o mentales reducidas usen este aparato sin la supervisión de un adulto, a menos que hayan recibido supervisión o instrucciones sobre el uso del electrodoméstico por una persona responsable de su seguridad.
- Este producto no es un juguete. Los niños no deben jugar con el aparato ni dentro de él. Los niños pequeños y las mascotas deben supervisarse al usar el refrigerador.
- La limpieza y el mantenimiento los debe realizar un adulto responsable o un niño de 8 años o más bajo supervisión.
- Al desechar el aparato, asegúrese de desenchufarlo y esperar un rato antes de cortar el cable de alimentación (lo más cerca posible del aparato) y retire la puerta para evitar que los niños jueguen con el aparato y, en consecuencia, reducir el riesgo de lesiones graves o muerte por descarga eléctrica o asfixia.
- Si este aparato tiene un sello magnético en la puerta y va a sustituir un aparato más antiguo por un cierre de resorte (parche) en la puerta o tapa, asegúrese de quitar, desactivar o hacer que el cierre de resorte sea inutilizable antes de desechar el aparato para evitar lesiones graves o la muerte.
- El aparato no es apto para acampar.
- El aparato no debe estar expuesto a la lluvia.

 **PRECAUCIÓN:** La separación entre las puertas es pequeña y los dedos pueden quedar atrapados. Tenga cuidado al abrir y cerrar las puertas, especialmente si hay niños en el área.

 **ADVERTENCIA:** Para evitar el peligro de asfixia, mantenga los empaques de plástico alejados de mascotas, bebés y niños. No utilice bolsas de embalaje en cunas, camas, coches ni corralitos.

 **PELIGRO:** Riesgo de atrapamiento de niños. Antes de desechar un refrigerador o congelador antiguo:

- Retire las puertas
- Deje los estantes en su lugar para que los niños no suban y se metan fácilmente.

INSTRUCCIONES IMPORTANTES DE SEGURIDAD

 **Advertencia:** riesgo de incendio / materiales inflamables



- No perforo el tubo de refrigerante
- R-600a se utiliza como refrigerante. Este producto contiene gas inflamable (refrigerante R-600a)
- PRECAUCIÓN: Riesgo de incendio o explosión. Deseche el refrigerador y el refrigerante de acuerdo con las normas federales y locales.
- Cuando deseche un refrigerador, retire las puertas, los sellos de las puertas y los bloqueos de las puertas para evitar que los niños y animales queden atrapados.
- Para evitar que se cree una mezcla de gases inflamables en caso de que se produzca una fuga en el circuito de refrigeración, el tamaño de la habitación en la que se puede colocar el aparato dependerá de la masa del refrigerante suministrado al sistema. La habitación debe medir 35.3 pies³ por cada 8 gramos de refrigerante R-600a dentro del dispositivo. Consulte la etiqueta de valores nominales ubicada en la parte trasera del refrigerador para determinar la cantidad de refrigerante R-600A que este producto debe utilizar.
- La ubicación de instalación no estar expuesta a la luz solar directa ni estar cerca de ningún aparato eléctrico o fuente de calor, por ejemplo, estufa, horno o cocina, radiador, etc.


SEGURIDAD GENERAL


- **ADVERTENCIA:** No debe haber ninguna obstrucción en las aberturas de ventilación del aparato.
- **ADVERTENCIA:** No dañe el circuito del refrigerante.
- **ADVERTENCIA:** Si hay una bombilla en su unidad, no la toque si ha estado encendida durante un período prolongado, pues podría estar muy caliente y puede causar lesiones graves.
- **ADVERTENCIA:** Al colocar el aparato, asegúrese de que el cable de alimentación no quede atrapado ni esté dañado.
- **ADVERTENCIA:** No ubique varios tomacorrientes portátiles ni fuentes de alimentación portátiles en la parte posterior del aparato.
- **ADVERTENCIA:** No utilice cables de extensión ni adaptadores sin conexión a tierra (dos clavijas).
- **ADVERTENCIA:** No utilice dispositivos mecánicos ni otros medios para acelerar el proceso de descongelación, salvo los recomendados por el fabricante.
- **ADVERTENCIA:** No utilice dispositivos mecánicos ni otros medios para acelerar el proceso de descongelamiento, salvo los recomendados por el fabricante.
- **ADVERTENCIA:** No utilice aparatos eléctricos dentro de los almacenes de alimentos del aparato, a menos que sean del tipo recomendado por el fabricante.


NUNCA conecte varios electrodomésticos al mismo tomacorriente.

- Asegúrese de que el enchufe de alimentación no esté aplastado ni sufra daños por la parte posterior del aparato.
- Si el enchufe de alimentación está aplastado o dañado puede sobrecalentarse y provocar un incendio, lo que puede causar lesiones o la muerte.
- No doble, tuerza ni jale el cable de alimentación ni coloque objetos pesados en él ni en la fuente de alimentación.
- No almacene sustancias explosivas, como latas de aerosol marcadas como inflamables, en este aparato.
- Dentro del circuito refrigerante del electrodoméstico hay isobutano refrigerante (R600a), un gas natural con un alto nivel de compatibilidad ambiental que, sin embargo, es inflamable. Asegúrese de que la unidad esté lejos de las llamas abiertas, las fuentes de ignición y las fuentes altas de calor.
- Asegúrese de que ninguno de los componentes del circuito refrigerante se dañe durante el transporte y la instalación.
- Asegúrese de que la habitación donde se instalará la unidad tenga una ventilación completa.

- Es peligroso alterar las especificaciones o modificar este producto de cualquier manera. Cualquier daño en el cable puede provocar un cortocircuito, un incendio o una descarga eléctrica.
- Este aparato está destinado a utilizarse en aplicaciones domésticas y similares, como las siguientes:
- Áreas de equipamiento de personal en tiendas, oficinas y otros entornos de trabajo
- Casas rurales y por clientes en hoteles, moteles y otros entornos de tipo residencial
- Ambientes tipo bed and breakfast
- Entornos de catering y aplicaciones similares no comerciales
- Este aparato está diseñado solo para usarse en interiores.

 **ADVERTENCIA:** Cualquier componente eléctrico (enchufe, cable de alimentación, compresor, entre otros) lo debe reemplazar un agente de servicio certificado o personal de servicio calificado. Póngase en contacto con nuestro equipo de soporte para obtener ayuda.

 **ADVERTENCIA:** La bombilla suministrada con este electrodoméstico está diseñada explícitamente para este electrodoméstico y no se debe utilizar en ningún otro dispositivo, lámpara o aplicación similar fuera del uso previsto en esta máquina.

 **ADVERTENCIA:** Riesgo de atrapamiento de niños. Antes de desechar su refrigerador o congelador antiguo:

- Quite las puertas.
- Deje los estantes en su lugar para que los niños no suban y se metan fácilmente.
- El refrigerador debe estar enchufado a su propia toma eléctrica dedicada de 115 voltios, 60 Hz, 15 amperios, solo CA. **No alargue ni acorte el cable.** El cable de alimentación del aparato está equipado con un enchufe de conexión a tierra de tres clavijas para su protección contra riesgos de descargas eléctricas. Debe estar enchufado directamente a un receptáculo de tres puntas correctamente conectado a tierra. El receptáculo debe instalarse de acuerdo con los códigos y ordenanzas locales.
- Asegúrese de tener acceso rápido a la toma de corriente en la que está enchufado el aparato en el caso de una emergencia donde sea necesario desconectarlo rápidamente.
- Asegúrese de que el aparato esté enchufado a un tomacorriente de pared y no a una regleta o un dispositivo similar.
- No tire del cable de alimentación principal.
- Si el tomacorriente está suelto, no lo utilice para el aparato bajo ninguna circunstancia, ya que puede provocar descargas eléctricas o incendios.
- No debe hacer funcionar el aparato sin la lámpara (si aplica para su unidad).
- El aparato es pesado. Tenga cuidado al moverlo. Se recomienda el levantamiento en equipo.
- Evite la exposición prolongada a la luz solar del aparato.
- Si el **CABLE DE ALIMENTACIÓN** está dañado, debe ser reemplazado por el fabricante, su agente de servicio o personas igualmente calificadas para evitar riesgos.

NO LO DEVUELVA A LA TIENDA

**ESTAMOS
LISTOS PARA
AYUDAR** contáctenos primero
con cualquier pregunta



ASISTENCIA TCL:
support.tcl.com/us
1-877-300-9134



**CUIDADO CUANDO RETIRE
EL REFRIGERADOR**

⚠ ADVERTENCIA: Riesgo de atrapamiento de niños. Antes de desechar su refrigerador o congelador antiguo:

- Quite las puertas.
- Deje los estantes en su lugar para que los niños no suban y se metan fácilmente.

USO DIARIO

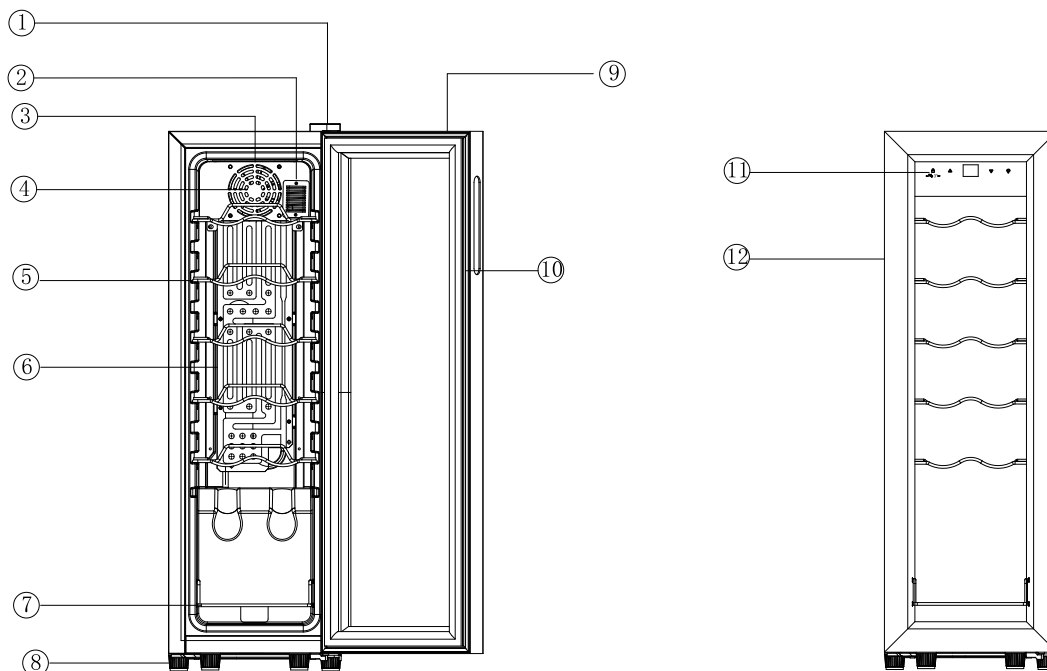
- No coloque objetos ni dispositivos calientes en las piezas de plástico del aparato.
- Si el aparato permanece vacío durante períodos prolongados, apáguelo, descongele, límpielo, séquelo y deje la puerta abierta para evitar que se desarrolle moho dentro del aparato.

CUIDADO Y LIMPIEZA

- Antes de realizar el mantenimiento, apague el aparato y desconecte el enchufe de alimentación del tomacorriente.
- No limpie el aparato con objetos metálicos.

Leyenda del Producto

TRW12F6AS

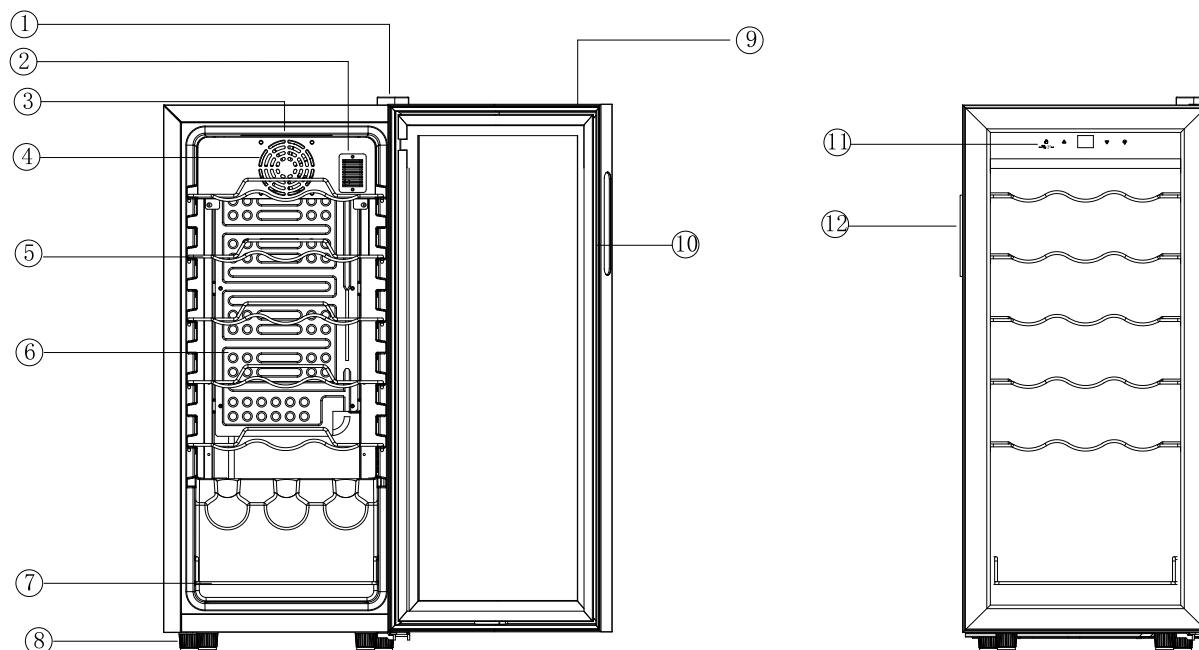


1. Bisagra hacia arriba
2. NTC
3. Luz
4. Ventilador

5. Repisa de alambre
6. Evaporador
7. Rack de fondo
8. Pie

9. puerta
10. Sello de puerta
11. Panel de temperatura
12. Asa

TRW18F6AS

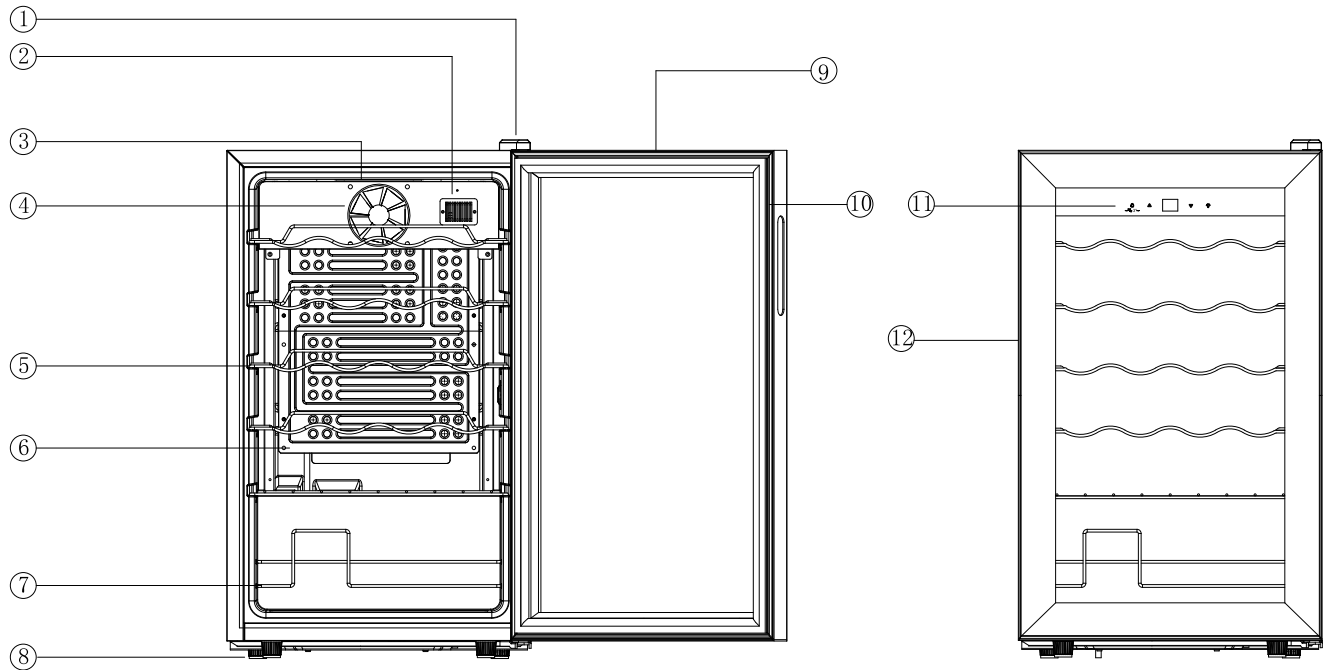


- 1. Bisagra hacia arriba
- 2. NTC
- 3. Luz
- 4. Ventilador

- 5. Repisa de alambre
- 6. Evaporador
- 7. Rack de fondo
- 8. Pie

- 9. puerta
- 10. Sello de puerta
- 11. Panel de temperatura
- 12. Asa

TRW24F6AS



- 1. Bisagra hacia arriba
- 2. NTC
- 3. Luz
- 4. Ventilador

- 5. Repisa de alambre
- 6. Evaporador
- 7. Rack de fondo
- 8. Pie

- 9. puerta
- 10. Sello de puerta
- 11. Panel de temperatura
- 12. Asa

INSTALACIÓN

- **IMPORTANTE:** Para la conexión eléctrica, siga atentamente las instrucciones que se indican en los siguientes puntos.
- El refrigerador debe estar desconectado de la fuente de alimentación eléctrica antes de intentar instalarlo.
- Solo use los accesorios como se indica y no para ningún otro uso.
- Retire todo el plástico protector antes de usar el dispositivo.
- Desempaque el electrodoméstico y verifique si tiene algún daño. No conecte el electrodoméstico si está dañado. Reporte posibles daños inmediatamente al minorista donde lo compró. En caso de daños, conserve el embalaje como prueba.
- Recomendamos esperar al menos cuatro horas antes de enchufar el aparato para permitir que el aceite vuelva a fluir al compresor.
- Debe haber una circulación de aire adecuada alrededor del aparato. La mala circulación del aire puede provocar un sobrecalentamiento. Para lograr una ventilación suficiente, siga las instrucciones correspondientes a la instalación.
- Siempre que sea posible, asegúrese de que los espaciadores del producto estén contra una pared para evitar que toque o atrape las piezas calientes (compresor, condensador), pues esto puede provocar quemaduras.
- El electrodoméstico no debe estar ubicado junto a radiadores o estufas.
- Asegúrese de que el enchufe de alimentación sea accesible después de instalar el aparato.
- Deje reposar el refrigerador durante 2 o 3 horas después de la instalación antes de colocar los alimentos dentro.

SERVICIO

- Un electricista calificado debe llevar a cabo cualquier trabajo o servicio eléctrico requerido.
- Un centro de servicio autorizado debe dar servicio a este producto, y solo se deben usar piezas de repuesto originales.

PROTECCIÓN MEDIOAMBIENTAL

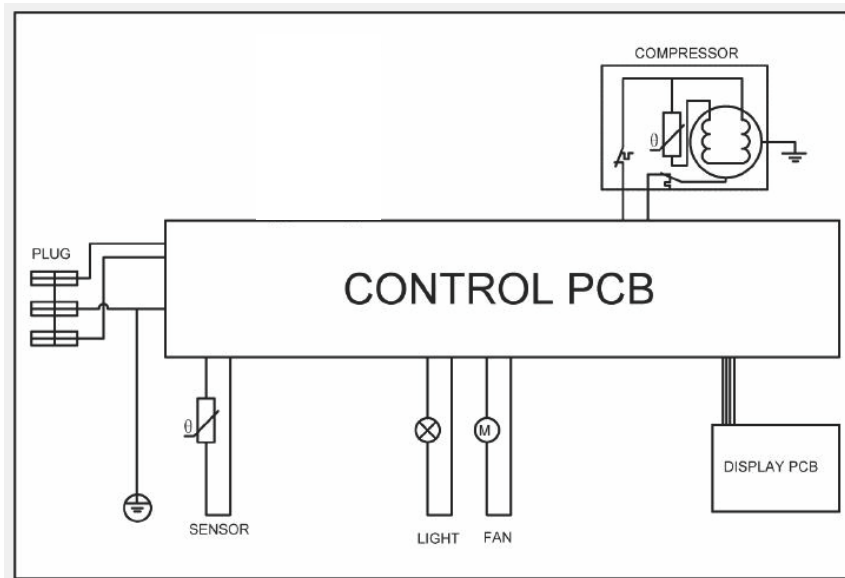
Este electrodoméstico no contiene gases que puedan dañar la capa de ozono, ni en su circuito de refrigerante ni en los materiales aislantes. El electrodoméstico no debe desecharse en residuos y basura urbana. La espuma aislante contiene gases inflamables: el electrodoméstico debe desecharse de acuerdo con las autoridades locales. Evite dañar la unidad de refrigeración, en especial, el intercambiador de calor. Los - 7 - materiales utilizados en este electrodoméstico marcados con el símbolo de reciclaje son reciclables. Este símbolo en el producto o en su embalaje indica que este producto no se puede tratar como un residuo doméstico habitual. En su lugar, se debe llevar al punto de recolección adecuado para el reciclaje de equipos eléctricos y electrónicos. Asegúrese de que este producto se deseché correctamente para ayudar a prevenir posibles consecuencias negativas para la salud ambiental y de las personas que de otro modo se podrían deberse a un manejo inapropiado de los residuos de este producto. Para obtener información más detallada sobre el reciclaje de este producto, póngase en contacto con su ayuntamiento local, el servicio de eliminación de residuos domésticos o la tienda donde compró el producto.

DATOS TÉCNICOS

MODEL NO.	TRW12F6AS	TRW18F6AS	TRW24F6AS
De Capacidad	35L	51L	68L
Voltaje	AC 110-120V	AC 110-120V	AC 110-120V
Corriente nominal	1.2A	1.2A	1.2A
Frecuencia	60Hz	60Hz	60Hz
Clase de protección	I	I	I
Clase de clima	T/ST/N/SN	T/ST/N/SN	T/ST/N/SN
Rango de control de temperatura	5-18°C/40-66°F	5-18°C/40-66°F	5-18°C/40-66°F
Refrigerante	R600a	R600a	R600a
Volumen de refrigerante (g)	17g	17g	23g
Peso neto	16.7kg/36.82Lbs	19.4kg/42.77Lbs	21.8kg/48.06Lbs
Peso bruto	19.9kg/43.87Lbs	22.5kg/49.6Lbs	25.5kg/56.22Lbs
Tamaño del producto (ancho x alto x profundidad)	9.9"x31.6"x17.3"inch	13.6"x30.7"x17.3"inch	17.3"x29.5"x17.5"inch
Tamaño del embalaje (ancho x alto x profundidad)	13.5"x36.8"x20.6"inch	16.9"x35.8"x20.7"inch	21.1"x34.6"x21.06"inch

DIAGRAMA DE CIRCUITO ELÉCTRICO

TRW12F6AS / TRW18F6AS / TRW24F6AS



PRECAUCIONES DE SEGURIDAD

⚠ ADVERTENCIA! Para reducir el riesgo de incendio, descarga eléctrica o lesiones al usar su electrodoméstico, siga estas precauciones básicas.

- **LEA** Todas las instrucciones antes de instalar, operar o realizar el mantenimiento del aparato.
- **PELIGRO Y ADVERTENCIA:** El incumplimiento de esta declaración de seguridad provocará lesiones personales graves o la muerte, así como daños a la propiedad o al equipo.
- **RIESGO DE ATRAPAMIENTO DE NIÑOS.** Antes de deshacerse de su refrigerador o congelador viejo, quite las puertas y deje los estantes colocados para que los niños no puedan entrar con facilidad. Mantenga a los niños alejados del refrigerador de bebidas, evite que metan los dedos en la salida de aire en la placa protectora.
- **PELIGRO DE CHOQUE:** Se requiere conexión eléctrica a tierra.
- Nunca intente volver a airear o realizar tareas de mantenimiento en la unidad hasta que se haya desconectado la electricidad.
- Nunca retire la clavija de conexión a tierra redonda del enchufe y nunca use un adaptador de conexión a tierra de dos clavijas.
- La alteración, el corte del cable de alimentación, la extracción del cable de alimentación, la extracción del enchufe de alimentación o el cableado directo pueden causar lesiones graves, incendios o pérdida de bienes y vidas, y anulará la garantía.
- Nunca use un cable de extensión para conectar la alimentación a la unidad.
- Mantenga siempre el área de trabajo seca.

PRECAUCIONES IMPORTANTES

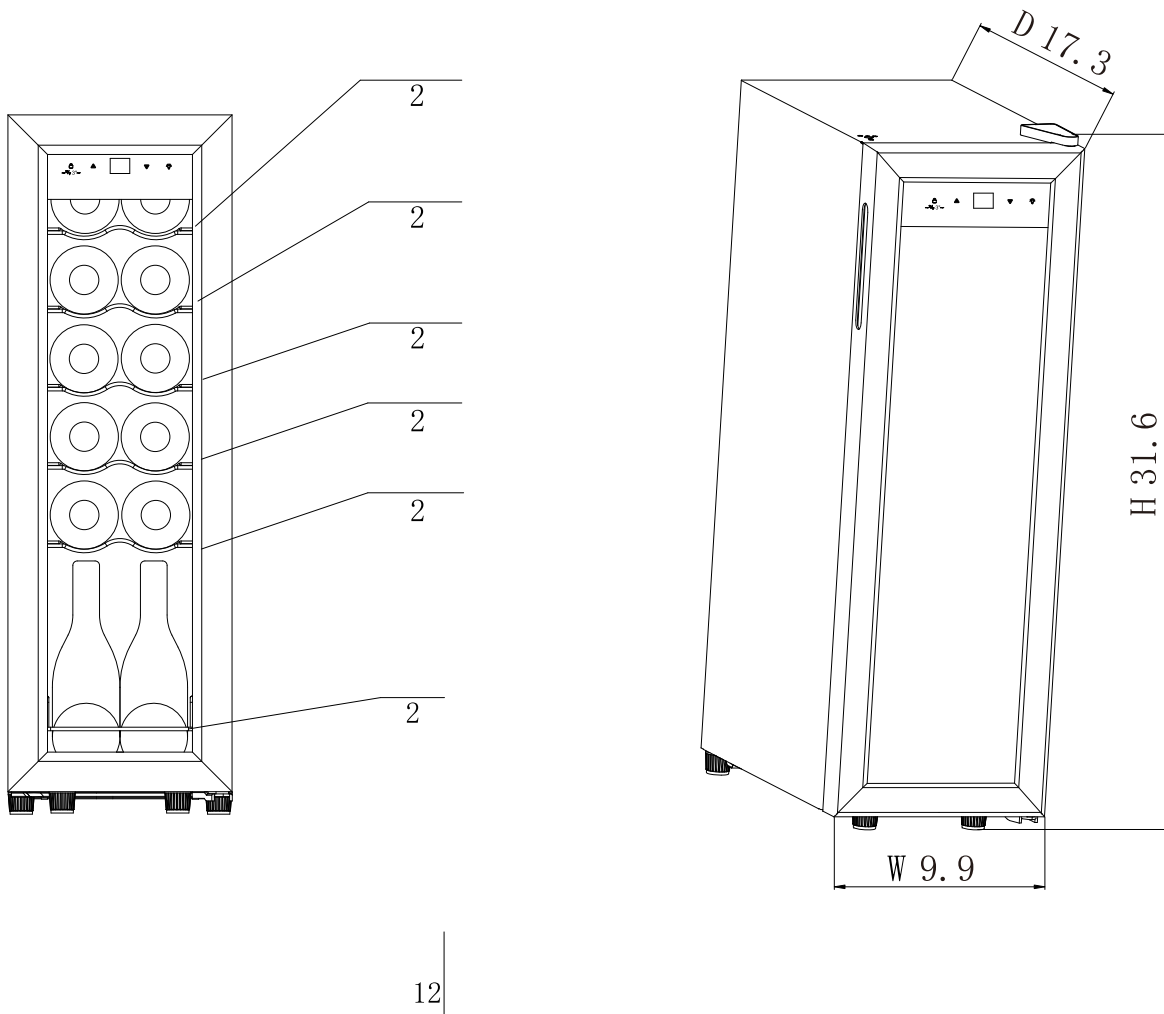
- No levante la unidad por la manija de la puerta.
- Mantenga la puerta cerrada antes de instalarla en el gabinete.
- Asegúrese de que la placa de protección en la parte inferior delantera esté libre de obstrucciones. Obstruir el flujo de aire libre puede hacer que la unidad no funcione correctamente y anulará la garantía.
- Deje que la temperatura de la unidad se estabilice durante 24 horas antes de usarla.
- No bloquee ningún ventilador interno.
- Emplee únicamente piezas de repuesto originales del proveedor. Las piezas de imitación pueden dañar la unidad, afectar su funcionamiento o rendimiento y anular la garantía.

INSTRUCCIONES DE INSTALACIÓN

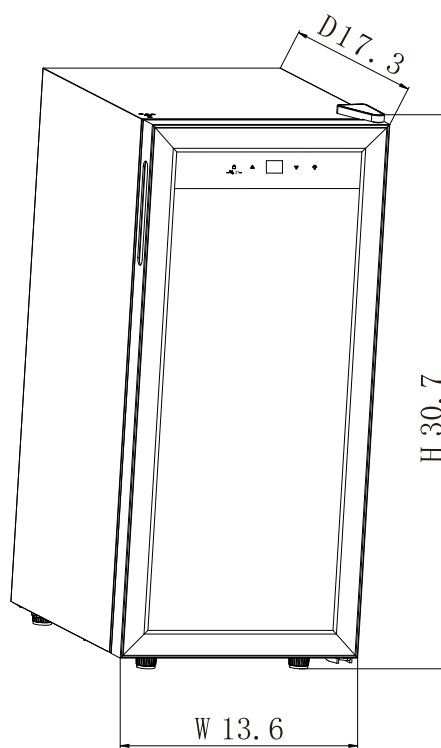
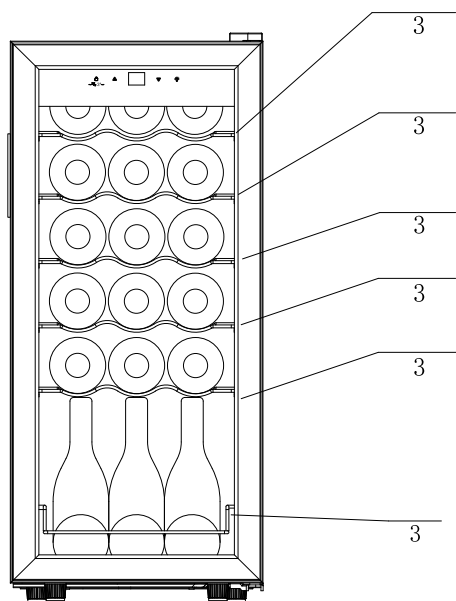
- Antes de usar su refrigerador de bebidas
- Retire el embalaje exterior e interior.
- Antes de conectar el aparato al tomacorriente, déjelo en posición vertical durante aproximadamente 24 horas. Esto reducirá la posibilidad de que el sistema de refrigeración no funcione correctamente durante el transporte.
- Limpie la superficie interior con agua tibia con un paño suave.
- Coloque el aparato en un suelo lo suficientemente fuerte como para soportar el aparato cuando esté completamente cargado.
- Para nivelar el aparato, ajuste las patas delanteras en la parte inferior del aparato.

Leyenda del Producto

TRW12F6AS SUGERIR DIMENSIÓN DEL GABINETE:

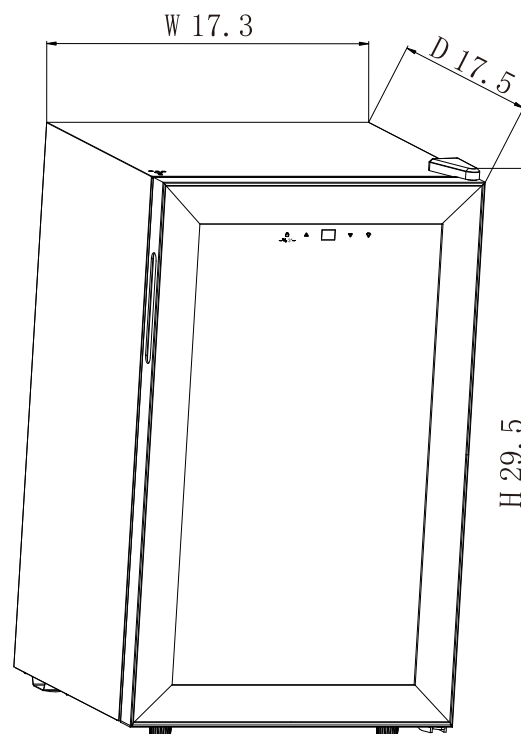
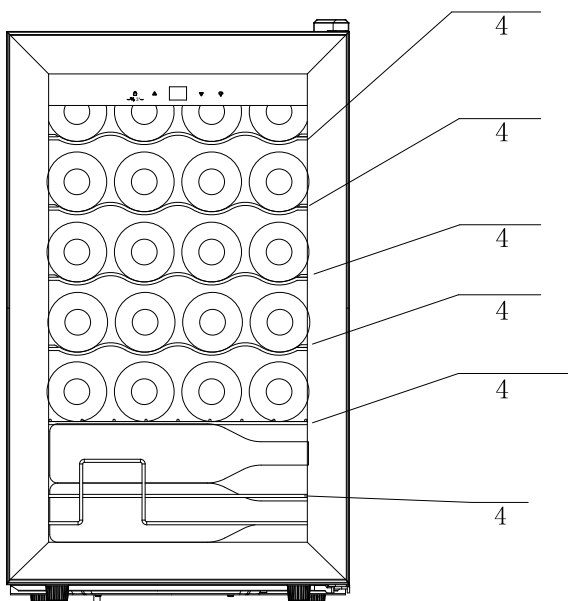


TRW18F6AS SUGERIR DIMENSIÓN DEL GABINETE:



18

TRW24F6AS SUGERIR DIMENSIÓN DEL GABINETE:





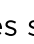


24

FUNCIONAMIENTO DE SU ENFRIADOR DE BEBIDAS

El panel de control:

TRW12F6AS / TRW18F6AS / TRW24F6AS



- Su refrigerador está equipado con una función de bloqueo del panel de control que se bloqueará automáticamente aproximadamente 30 segundos después de la última vez que se presione un botón.
- Presione el  botón para desbloquear el panel de control.
- Puede ajustar manualmente la temperatura del interior del refrigerador pulsando los botones de la pantalla. Los dos botones se encuentran  en  el panel y ajustan la temperatura en 1 °C entre 5 ~ 18 °C o 1 °F entre 40 ~ 66 °F.
- Puede seleccionar la temperatura que se mostrará en Fahrenheit o Celsius presionando el botón durante 2-4 segundos .
- Puede encender y apagar la luz interior pulsando el botón de luz .

CUIDADO Y MANTENIMIENTO

CÓMO LIMPIAR EL ENFRIADOR DE BEBIDAS

- Desenchufe el enfriador de bebidas y retire las botellas.
- Lave el interior con agua tibia o solución de bicarbonato de sodio. La solución debe ser de aproximadamente 2 cucharadas de bicarbonato de sodio por un litro de agua.
- El exterior del enfriador de bebidas debe limpiarse con agua tibia o detergente suave.

CÓMO MOVER EL REFRIGERADOR DE BEBIDAS

- Retire todas las botellas.
- Fije con cinta adhesiva todos los objetos sueltos dentro de su enfriador de bebidas.
- Gire las patas niveladoras hacia la base para evitar daños.
- Coloque cinta adhesiva en la puerta.
- Asegúrese de que el enfriador de bebidas permanezca en posición vertical durante el transporte.

Resolución de problemas

⚠ PRECAUCIÓN: Puede resolver fácilmente muchos problemas comunes de enfriadores de bebidas, y ahorrarse el costo de una posible llamada al servicio técnico. Pruebe la sugerencia a continuación para ver si puede resolver el problema antes de llamar al centro de servicio técnico.

PROBLEMA	CAUSA POSIBLE	SOLUCIÓN
Appliance does not work.	El enfriador de bebidas no funciona.	No enchufe el aparato usando un voltaje diferente. El disyuntor se activó o un fusible se quemó.
	El enfriador de bebidas no enfría lo suficiente.	Compruebe la configuración del control de temperatura. La puerta se abre con demasiada frecuencia. La puerta no se cierra completamente. La junta de la puerta no se cierra correctamente. El enfriador de bebidas no tiene el espacio correcto.”
	La luz no funciona.	El tablero de control principal no funciona. Problema de PCB. El enchufe tiene algún problema.”
	La puerta no se cierra correctamente.	El enfriador de bebidas no está nivelado. Las puertas estaban invertidas y no se instalaron correctamente. El sello es débil. Los bordes están fuera de posición.”
	Los botones no son funcionales.	El panel del controlador de temperatura está dañado.
Appliance creates unusual movement.	Hay vibraciones.	Verifique que el enfriador de bebidas esté nivelado.
Heavy build up of water on the glass door.	Agua de condensación en puerta de vidrio.	Si la temperatura ambiente o la humedad son muy altas y la diferencia de temperatura entre el gabinete y el exterior es grande, provocará condensación en el exterior del vidrio. Este es un fenómeno físico normal. Solución: 1. Aumente la temperatura de ajuste en el gabinete de bebidas para reducir la diferencia de temperatura entre el gabinete y el exterior. 2. Verificación del sello de la puerta 3. No abra la puerta tan seguido.
Unusual noises and smell.	El enfriador de bebidas parece hacer demasiado ruido.	El enfriador de bebidas no está nivelado. Revise el ventilador.”
	Olores en el enfriador de bebidas.	Abra la puerta o ponga un poco de tangelo, carbón vegetal para deshacer de los olores.
LED functions does not work.	No se muestra la luz LED.	“El tablero de control principal no funciona. Problema de PCB. El enchufe tiene algún problema.”
	Error en la pantalla LED.	La calidad de la visualización es mala. El punto de temperatura está apagado.

TCL NORTH AMERICA
GARANTÍA DE PRODUCTO LIMITADA

Lo que su garantía cubre: Defectos materiales o de mano de obra para el **propietario original** de este producto TCL cuando lo compra como nuevo en un concesionario autorizado de productos de marca TCL y embalado con este certificado de garantía.

PERÍODO DE GARANTÍA (USO NO COMERCIAL):	PERÍODO DE GARANTÍA (USO COMERCIAL):
Mano de obra: Doce (12) meses desde la fecha original de compra. Piezas: Doce (12) meses desde la fecha original de compra.	Mano de obra: Seis (6) meses desde la fecha original de compra. Piezas: Seis (6) meses desde la fecha original de compra.

El uso comercial incluye, entre otros, el uso de este producto en un entorno comercial o empresarial, el uso de este producto en una institución para fines institucionales, u otros fines comerciales, como alquiler.

Si su dispositivo TCL tiene defectos de material o mano de obra en condiciones de uso normal durante el período de garantía que se indicó anteriormente, a partir de la fecha de compra original por parte del consumidor, TCL North America, a su completa discreción, (1) pagará a un Centro de servicio autorizado de TCL por los cargos de mano de obra y piezas para reparar su dispositivo, o (2) reemplazará su dispositivo con un producto equivalente nuevo o restaurado/recertificado. Si repara su producto en un Centro de servicio autorizado de TCL, TCL no se hará responsable de los costos de transporte hasta dicho centro. Sin embargo, TCL cubrirá los gastos de envío del producto. TCL proporcionará instrucciones para el embalaje y el envío de la unidad. Las unidades que están mal embaladas y que se dañen durante el envío no están cubiertas por la garantía del producto. Esta garantía limitada del producto solo es válida para el comprador original del producto y está vigente solo cuando se utiliza en Norteamérica. Debe tener su recibo de compra original o el comprobante de compra (factura de venta o factura aceptada) que indique la condición de la unidad (nueva, usada), la fecha de compra de la unidad, el lugar de compra y el modelo o número de serie.

CÓMO SE GESTIONAN LOS SERVICIOS: Llame al 1-800-825-6747 y elija el mensaje apropiado. Tenga listo el tipo de producto, el número de modelo, el número de serie y el código postal. La resolución de problemas y la aprobación de un representante de TCL DEBEN ocurrir antes de que envíe su producto para reparación.

Información de registro del producto

Puede encontrar el número de modelo y el número de serie en una etiqueta en la parte posterior o lateral del producto. **Registre su producto en línea en register.tcl.com.**

NINGUNA OTRA GARANTÍA ES APLICABLE A ESTE PRODUCTO. ESTA GARANTÍA SUSTITUYE A CUALQUIER OTRA GARANTÍA, EXPRESA O IMPLÍCITA, ENTRE OTRAS, CUALQUIER GARANTÍA DE COMERCIABILIDAD O IDONEIDAD PARA UN FIN DETERMINADO. EN LA MEDIDA EN QUE LA LEY EXIJA CUALQUIER GARANTÍA IMPLÍCITA, ESTARÁ LIMITADA EN LA DURACIÓN DEL PERÍODO DE GARANTÍA EXPRESA ANTERIOR. NI EL FABRICANTE NI SU DISTRIBUIDOR ESTADOUNIDENSE SERÁN RESPONSABLES DE NINGÚN DAÑO INCIDENTAL, RESULTANTE, INDIRECTO, ESPECIAL O PUNITIVO DE CUALQUIER NATURALEZA, INCLUIDOS, ENTRE OTROS, LA PÉRDIDA DE INGRESOS O GANANCIAS, O CUALQUIER OTRO DAÑO, YA SEA BASADO EN CONTRATO, AGRAVIO O DE OTRO TIPO. ALGUNOS ESTADOS O TERRITORIOS NO PERMITEN LA EXCLUSIÓN O LIMITACIÓN DE DAÑOS O LIMITACIONES INCIDENTALES O CONSECUENTES SOBRE EL TIEMPO QUE DURA UNA GARANTÍA IMPLÍCITA, POR LO QUE ES POSIBLE QUE LA EXCLUSIÓN O LIMITACIÓN ANTERIOR NO SE APLIQUE A USTED. ESTA GARANTÍA LE PROPORCIONA A USTED, EL COMPRADOR ORIGINAL, DERECHOS LEGALES ESPECÍFICOS Y USTED TAMBIÉN PUEDE TENER OTROS DERECHOS QUE VARÍAN DE UN ESTADO A OTRO O DE UN TERRITORIO A OTRO. ESTA GARANTÍA ESTÁ SUJETA A CAMBIOS SIN PREVIO AVISO. VISITE WWW.TCL.COM/EN PARA VER LA VERSIÓN MÁS RECIENTE.

ESTA GARANTÍA DE PRODUCTO LIMITADA NO SE APLICA A:

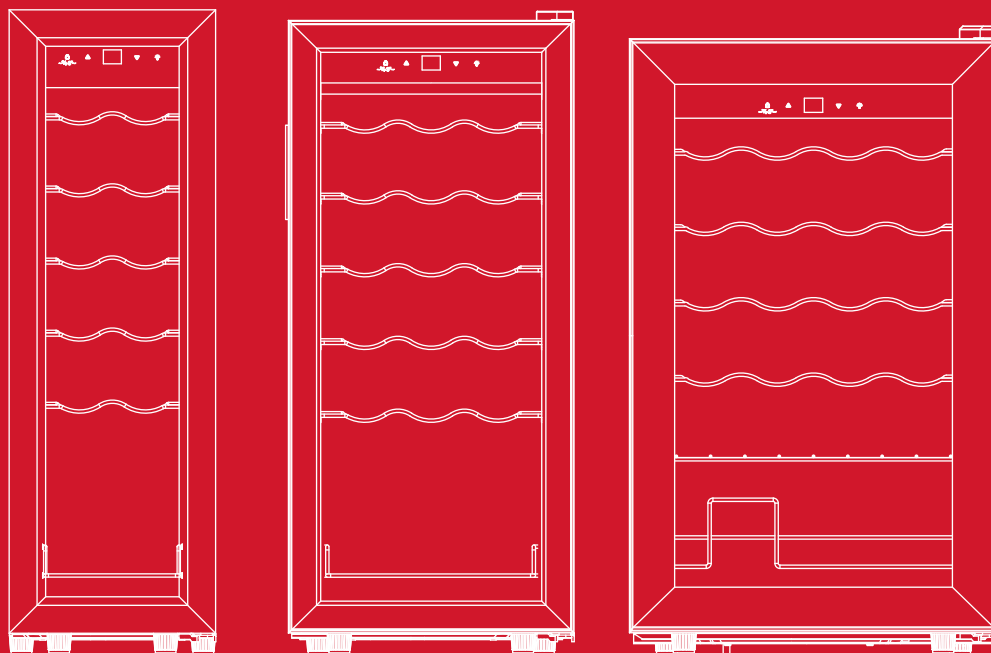
- Llamadas de servicio a su hogar para la entrega o recolección, instalación, instrucción, reemplazo de fusibles domésticos, conexión de cableado o plomería domésticos, o para corregir reparaciones no autorizadas.
- Casos en los que el producto no funciona debido a problemas de recepción de señal inalámbrica que no son causados por su unidad, o debido a fallas o interrupciones de energía o servicio eléctrico inadecuado.
- Daños causados por el transporte o la manipulación, incluidos los daños producidos durante el envío desde un minorista (comuníquese con su minorista para recibir asistencia).
- Daños causados al producto por accidente, alimañas, rayos, vientos, incendios, inundaciones o casos fortuitos.
- Daños causados por el funcionamiento del producto en una atmósfera corrosiva o húmeda.
- Reparaciones cuando el producto TCL se utiliza en un uso diferente al doméstico normal de una sola familia o en contra de las instrucciones descritas en la Guía del usuario del producto.
- Daños derivados de accidentes, alteraciones, uso indebido, abuso, negligencia, insectos, desgaste normal, daños cosméticos, manipulación incorrecta, sobretensión, instalación incorrecta o deficiente, o reparación o mantenimiento inapropiados. La reparación inadecuada incluye el uso de piezas no aprobadas o especificadas por TCL.
- Marcas o imágenes en el panel de visualización del producto.
- Mantenimiento normal según lo descrito en la Guía del usuario (entre otros, limpiar o reemplazar filtros, limpiar bobinas u otro tipo de mantenimiento normal).
- Uso de accesorios o componentes que no sean compatibles con este producto.
- Productos con números de serie modificados, faltantes, anulados, ilegibles o eliminados.
- Cambios en la apariencia del producto que no afectan su rendimiento.
- Aumentos en los costos de los servicios públicos o gastos de servicios públicos adicionales.
- Productos comprados a revendedores de TCL no autorizados.
- Productos vendidos en cualquier condición que no sea nueva y obtenidos del fabricante original o vendidos fuera de Norteamérica.

El costo de reparación o reemplazo bajo estas circunstancias excluidas será asumido por el consumidor.

INFORMACIÓN DE CONTACTO:

TCL North America
189 Technology Dr,
Irvine, CA, 92618.
1-877-300-9134
www.tcl.com/us

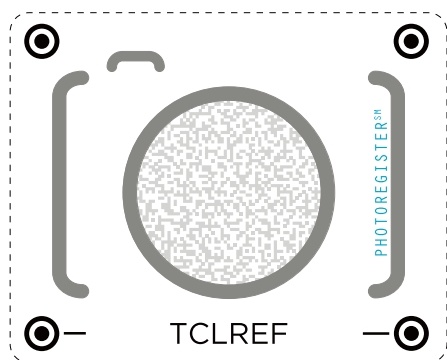
Commençons l'installation



TRW12F6AS / TRW18F6AS / TRW24F6AS
Compressor le refroidisseur de vin

Manuel de l'utilisateur

Register and protect your purchase Enregistrez et protégez votre achat







Text to Register

Text a photo of the camera icon to **71403**

Or register online at register.tcl.com
Need help? Visit photoregister.com/help or text HELP to 71403

Enjoy exclusive benefits with registration:

-  Expedited support and service
-  Insider tips on your appliance
-  Exclusive offers and promotions
-  Verification of ownership

Inscrivez-vous facilement avec votre téléphone intelligent.

Scannez ou envoyez une photo de l'icône de l'appareil photo au numéro **71403**.

Ou inscrivez-vous en ligne sur register.tcl.com

Vous avez besoin d'aide ? Visitez photoregister.com/help ou textez HELP par SMS au numéro 71403.

Profitez d'avantages exclusifs lors de l'enregistrement :

-  Assistance et service accélérés
-  Des astuces pour votre appareil
-  Offres et promotions exclusives
-  Vérification de propriété


*All TCL products continue to offer a limited consumer warranty in both the US and Canada. Please refer to the warranty section in this guide for additional details on warranty information.


*Tous les produits TCL continuent d'offrir une garantie limitée aux consommateurs aux États-Unis et au Canada. Veuillez consulter la section garantie dans ce guide pour obtenir plus d'informations.

INFORMATIONS RELATIVES À LA SÉCURITÉ

AVERTISSEMENT! Pour réduire les risques d'incendie, d'électrocution ou de blessure, lisez attentivement le manuel et toutes les instructions. Conservez ce manuel en lieu sûr pour pouvoir vous y référer ultérieurement. Tous les propriétaires, actuels ou futurs, doivent avoir accès à ce manuel.

- Pour éviter les accidents ou les blessures graves, toutes les personnes qui utilisent cet appareil doivent connaître le contenu de ce manuel d'utilisation, y compris les consignes de sécurité. Le fabricant n'est pas responsable des dommages ou blessures causés par l'utilisation de cet appareil en dehors des conditions normales d'utilisation.
- L'utilisation de cet appareil n'est pas recommandée pour les enfants de 8 ans et moins et les personnes dont les capacités physiques, sensorielles ou mentales sont réduites, à moins qu'ils ne soient surveillés ou qu'ils aient reçu des instructions concernant l'utilisation de l'appareil de la part d'une personne responsable de leur sécurité.
- Ce produit n'est pas un jouet. Les enfants ne doivent pas jouer avec ou à l'intérieur de l'appareil. Les jeunes enfants et les animaux domestiques doivent être surveillés lorsqu'ils utilisent le réfrigérateur.
- Le nettoyage et l'entretien doivent être effectués par un adulte ou un enfant de 8 ans et plus sous surveillance.
- Lorsque vous mettez l'appareil au rebut, veillez à le débrancher et à attendre un certain temps avant de couper le câble d'alimentation (le plus près possible de l'appareil) et de retirer la porte afin d'empêcher les enfants de jouer avec l'appareil et, par conséquent, de réduire le risque de blessure grave ou de décès par électrocution ou asphyxie.
- Si cet appareil est équipé d'un joint de porte magnétique et qu'il doit remplacer un appareil plus ancien doté d'un verrou à ressort (loquet) sur la porte ou le couvercle, veillez à retirer, désactiver ou rendre inutilisable le verrou à ressort avant de mettre l'appareil au rebut, afin d'éviter des blessures graves, voire mortelles.
- L'appareil ne convient pas au camping.
- L'appareil ne doit pas être exposé à la pluie.

 **ATTENTION :** L'espace entre les portes est réduit et les doigts peuvent y être pincés. Soyez prudent lorsque vous ouvrez et fermez les portes, en particulier si des enfants se trouvent à proximité.

 **AVERTISSEMENT :** Pour éviter tout risque de suffocation, tenez les emballages en plastique à l'écart des animaux domestiques, des bébés et des enfants. N'utilisez pas les sacs d'emballage dans les berceaux, les lits, les chariots ou les parcs d'enfants.

Ne retournez pas à la boutique

**Nous sommes
prêts à vous
aider**

Pour toute question,
contactez-nous
d'abord



Soutien TCL :
support.tcl.com/us
1-877-300-9134



**Soyez prudent en retirant
le réfrigérateur**

- ⚠ DANGER :** Risque de piégeage des enfants. Avant de jeter un vieux réfrigérateur ou congélateur:
- Enlevez les portes
 - Laissez les étagères en place pour que les enfants ne puissent pas facilement grimper à l'intérieur.

⚠ CONSIGNES DE SÉCURITÉ IMPORTANTES

⚠ Avertissement; risque d'incendie / matériaux inflammables



- Ne pas percer le tube de réfrigérant
- Le R-600a est utilisé comme réfrigérant et contient du gaz inflammable (réfrigérant R-600a).
- **ATTENTION :** Risque d'incendie ou d'explosion. Éliminez le réfrigérateur et le fluide frigorigène conformément aux réglementations fédérales et locales.
- Lors de la mise au rebut d'un réfrigérateur, retirez les portes, les joints de porte et les loquets de porte afin d'éviter que les enfants et les animaux ne se retrouvent piégés.
- Afin d'éviter la création d'un mélange gaz-air inflammable en cas de fuite dans le circuit de réfrigération, la taille de la pièce dans laquelle l'appareil peut être placé dépend de la masse du réfrigérant chargé dans le système. La pièce doit avoir une taille de 35,3 pi³ pour chaque 8 grammes de réfrigérant R-600a à l'intérieur de l'appareil. Veuillez vous référer à l'étiquette située au dos du réfrigérateur pour déterminer la quantité de réfrigérant R-600A utilisée dans ce produit.
- Le lieu d'installation ne doit pas être exposé à la lumière directe du soleil et ne doit pas être placé à proximité d'un appareil électrique ou d'une source de chaleur, par exemple une cuisinière, un four ou une plaque de cuisson, un radiateur, etc.

SÉCURITÉ GÉNÉRALE

- **AVERTISSEMENT!** Veillez à ce que les ouvertures de ventilation de l'appareil ne soient pas obstruées.
 - **AVERTISSEMENT!** N'endommagez pas le circuit du réfrigérant.
 - **AVERTISSEMENT!** Si votre appareil est équipé d'une ampoule, ne la touchez pas si elle est restée allumée pendant une période prolongée, car elle pourrait être très chaude et entraîner des blessures graves.
 - **AVERTISSEMENT!** Lorsque vous placez l'appareil, veillez à ce que le cordon d'alimentation ne soit pas coincé ou endommagé.
 - **ATTENTION!** Ne placez pas de prises de courant multiples ou de blocs d'alimentation portables à l'arrière de l'appareil.
 - **AVERTISSEMENT!** N'utilisez pas de rallonges ou d'adaptateurs non mis à la terre (à deux broches).
 - **AVERTISSEMENT:** N'utilisez pas de dispositifs mécaniques ou d'autres moyens pour accélérer le processus de dégivrage, autres que ceux recommandés par le fabricant.
 - **AVERTISSEMENT:** Ne pas utiliser d'appareils électriques à l'intérieur des comparés de stockage des aliments de l'appareil, sauf s'ils sont du type recommandé par le fabricant.
- Ne branchez **JAMAIS** plusieurs appareils sur la même prise.
- Assurez-vous que la fiche d'alimentation n'est pas écrasée ou endommagée par l'arrière de l'appareil.
 - Une fiche d'alimentation écrasée ou endommagée peut surchauffer et provoquer un incendie, entraînant des blessures ou la mort.

- Ne pliez pas, ne tordez pas, ne tirez pas et ne placez pas d'objets lourds sur le cordon d'alimentation ou l'alimentation.
- Ne stockez pas de substances explosives, telles que des bombes aérosols portant la mention "inflammable", dans cet appareil.
- Le circuit frigorifique de l'appareil contient de l'isobutane (R600a), un gaz naturel très respectueux de l'environnement, qui est inflammable. Veillez à éloigner de l'appareil les flammes nues, les sources d'inflammation et les sources de chaleur élevées.
- Veillez à ce qu'aucun des composants du circuit de réfrigération ne soit endommagé pendant le transport et l'installation.
- Assurez-vous que la pièce où l'appareil sera installé est bien ventilée.
- Il est dangereux d'altérer les spécifications ou de modifier ce produit de quelque manière que ce soit. Tout bris du cordon peut provoquer un court-circuit, un incendie ou un choc électrique.
- Cet appareil est destiné à être utilisé dans des applications domestiques et similaires telles que:
- les espaces de rangement du personnel dans les magasins, les bureaux et autres environnements de travail
- Les fermes et les clients dans les hôtels, les motels et autres environnements de type résidentiel.
- les chambres d'hôtes
- Restauration et autres applications similaires non commerciales
- Cet appareil est conçu pour être utilisé à l'intérieur uniquement.

⚠ AVERTISSEMENT! Tout composant électrique (prise, cordon d'alimentation, compresseur, etc.) doit être remplacé par un agent de service certifié ou un personnel de service qualifié. Contactez notre équipe d'assistance pour obtenir de l'aide.

⚠ ATTENTION! L'ampoule fournie avec cet appareil est conçue explicitement pour cet appareil et ne doit pas être utilisée dans un autre appareil, une autre lampe ou une autre application similaire en dehors de l'utilisation prévue pour cet appareil.

- Le réfrigérateur doit être branché sur sa propre prise électrique dédiée de 115 volts, 60 Hz, 15 ampères, en courant alternatif uniquement. Ne rallongez ni ne raccourcissez le cordon. Le cordon d'alimentation de l'appareil est équipé d'une fiche de mise à la terre à trois broches pour vous protéger contre les risques d'électrocution. Il doit être branché directement dans une prise à trois broches correctement mise à la terre. La prise doit être installée conformément aux codes et règlements locaux.
- Assurez-vous d'avoir un accès rapide à la prise sur laquelle l'appareil est branché en cas d'urgence et de nécessité de débranchement rapide.
- Make sure the appliance is plugged into a wall main outlet and not into any power strip or similar device.
- Ne tirez pas sur le câble d'alimentation principal.
- Si la prise de courant est desserrée, ne l'utilisez en aucun cas pour l'appareil, sous peine d'électrocution ou d'incendie.
- Vous ne devez pas faire fonctionner l'appareil sans la lampe (si elle est présente sur votre appareil).
- L'appareil est lourd. Il convient de le déplacer avec précaution. Il est recommandé de le soulever à plusieurs.
- Évitez toute exposition prolongée de l'appareil aux rayons du soleil.
- Si le cordon d'alimentation est endommagé, il doit être remplacé par le fabricant, son agent de service ou des personnes de qualification similaire afin d'éviter tout danger.

⚠ WARNING: Risk of child entrapment. Before you throw away your old refrigerator or freezer:

- Enlevez les portes.
- Laissez les clayettes en place afin que les enfants ne puissent pas facilement grimper à l'intérieur.

UTILISATION QUOTIDIENNE

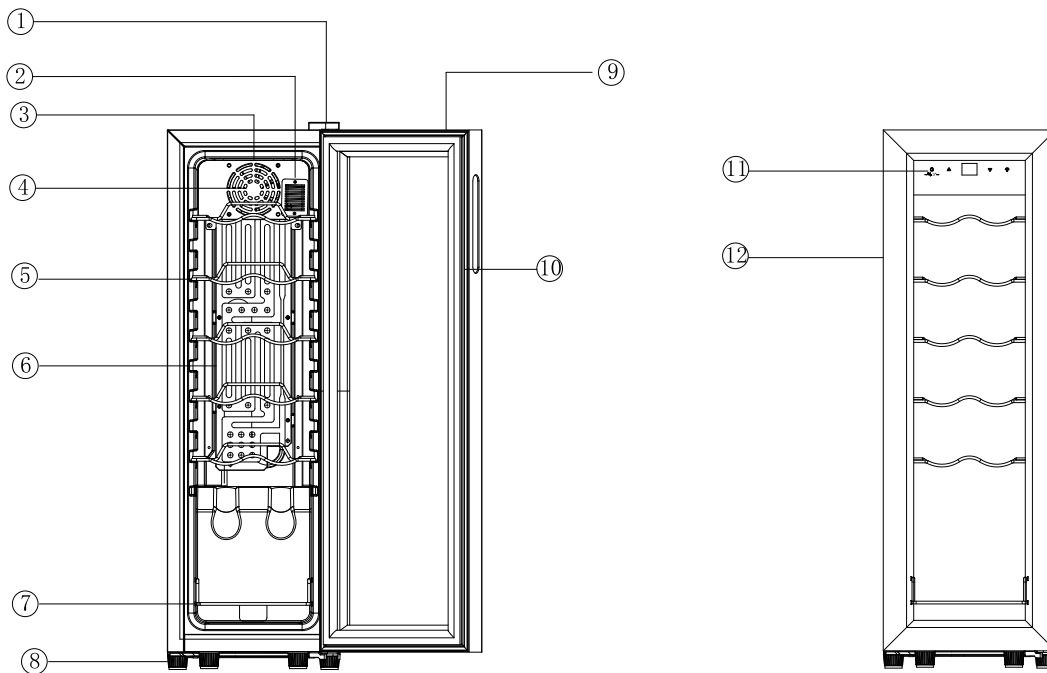
- Ne posez pas d'objets ou d'appareils chauds sur les parties en plastique de l'appareil.
- Si l'appareil reste vide pendant de longues périodes, éteignez-le, dégivrez-le, nettoyez-le, séchez-le et laissez la porte ouverte afin d'éviter le développement de moisissures à l'intérieur de l'appareil.

ENTRETIEN ET NETTOYAGE

- Avant toute opération d'entretien, éteignez l'appareil et débranchez la fiche d'alimentation de la prise de courant.
- Ne nettoyez pas l'appareil avec des objets métalliques.

Légende de Produit

TRW12F6AS

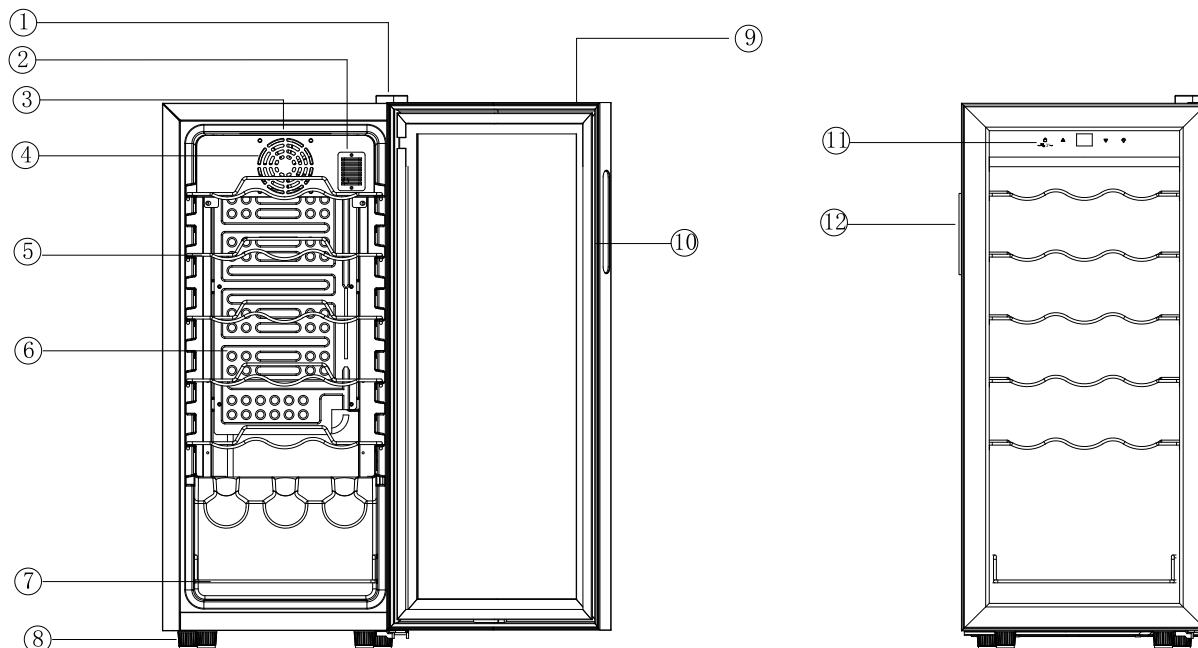


1. Charnière vers le haut
2. NTC
3. Lumière
4. Ventilateur
5. Etagère en fil de fer

6. Evaporateur
7. Rack inférieur
8. Pied
9. Porte
10. Joint de porte

11. Panneau de température
12. Poignée

TRW18F6AS

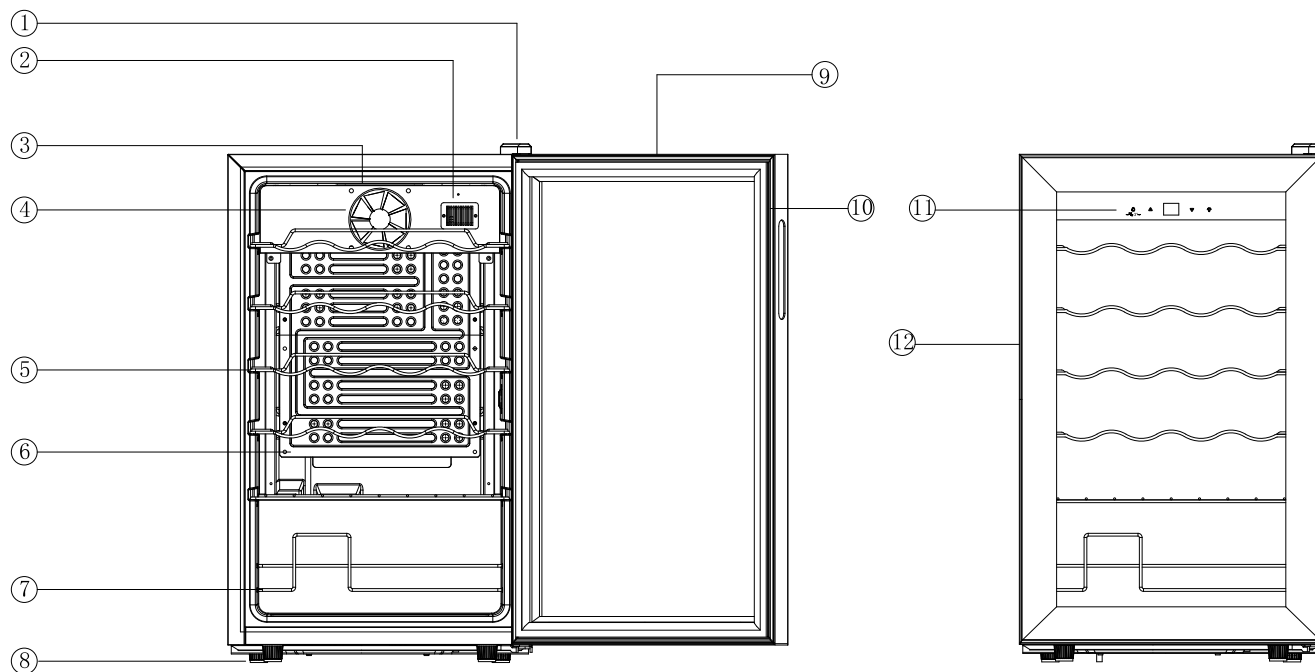


- 1. Charnière vers le haut
- 2. NTC
- 3. Lumière
- 4. Ventilateur
- 5. Etagère en fil de fer

- 6. Evaporateur
- 7. Rack inférieur
- 8. Pied
- 9. Porte
- 10. Joint de porte

- 11. Panneau de température
- 12. Poignée

TRW24F6AS



- 1. Charnière vers le haut
- 2. NTC
- 3. Lumière
- 4. Ventilateur
- 5. Etagère en fil de fer

- 6. Evaporateur
- 7. Rack inférieur
- 8. Pied
- 9. Porte
- 10. Joint de porte

- 11. Panneau de température
- 12. Poignée

INSTALLATION

- **IMPORTANT !** Pour le raccordement électrique, suivez attentivement les instructions données dans les points suivants.
- Le réfrigérateur doit être débranché de la source d'alimentation électrique avant de procéder à l'installation.
- N'utilisez les accessoires qu'aux fins indiquées et non à d'autres fins.
- Retirez tous les plastiques de protection avant d'utiliser l'appareil.
- Déballez l'appareil et vérifiez qu'il n'est pas endommagé. Ne branchez pas l'appareil s'il est endommagé. Signalez immédiatement les dommages éventuels au détaillant auprès duquel vous avez acheté l'appareil. En cas de dommages, conservez l'emballage comme preuve.
- Nous vous conseillons d'attendre au moins quatre heures avant de brancher l'appareil pour permettre à l'huile de circuler à nouveau dans le compresseur.
- L'air doit circuler correctement autour de l'appareil. Une mauvaise circulation de l'air peut entraîner une surchauffe. Pour assurer une ventilation suffisante, suivez les instructions relatives à l'installation.
- Dans la mesure du possible, veillez à ce que les entretoises du produit soient placées contre un mur afin d'éviter de toucher ou d'attraper des parties chaudes (compresseur, condensateur), ce qui pourrait provoquer des brûlures.
- L'appareil ne doit pas être placé à proximité de radiateurs ou de cuisinières.
- Assurez-vous que la prise de courant est accessible après l'installation de l'appareil.
- Laissez le réfrigérateur reposer pendant 2 à 3 heures après l'installation avant de placer des aliments à l'intérieur.

SERVICE

- Un électricien qualifié doit effectuer tous les travaux d'électricité ou d'entretien nécessaires.
- L'entretien de cet appareil doit être effectué par un centre de service agréé et seules des pièces de rechange d'origine doivent être utilisées.

PROTECTION DE L'ENVIRONNEMENT

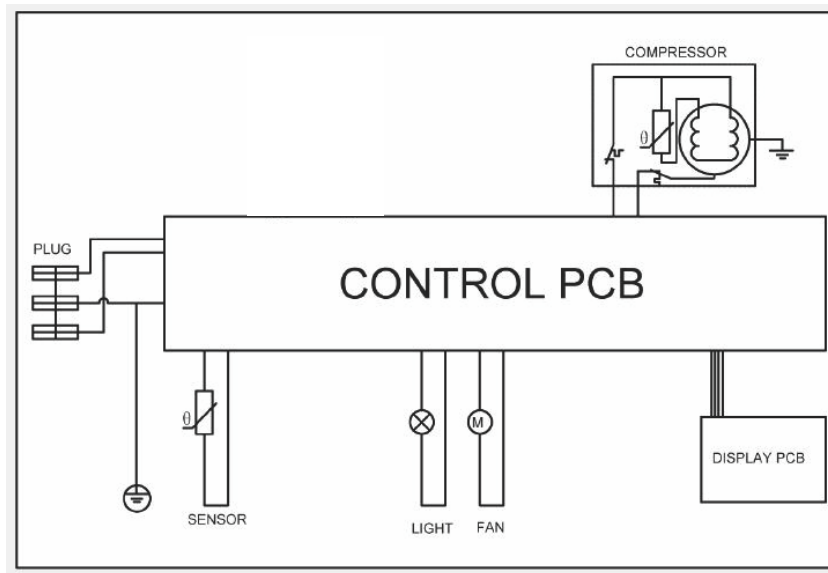
Cet appareil ne contient pas de gaz susceptibles d'endommager la couche d'ozone, que ce soit dans son circuit frigorifique ou dans les matériaux d'isolation. L'appareil ne doit pas être jeté dans les ordures ménagères et les déchets urbains. La mousse d'isolation contient des gaz inflammables : l'appareil doit être mis au rebut conformément aux autorités locales. Évitez d'endommager le groupe de refroidissement, en particulier l'échangeur de chaleur. Les matériaux utilisés dans cet appareil et marqués du symbole de recyclage sont recyclables. Ce symbole sur le produit ou sur son emballage indique que ce produit ne doit pas être traité comme un déchet ménager ordinaire. Au lieu de cela, il doit être déposé au point de collecte approprié pour le recyclage des équipements électriques et électroniques. En veillant à ce que ce produit soit éliminé correctement, vous contribuerez à prévenir les conséquences négatives potentielles sur l'environnement et la santé humaine, qui pourraient être causées par un traitement inapproprié des matériaux de ce produit. Pour obtenir des informations plus détaillées sur le recyclage de ce produit, veuillez contacter votre mairie, votre service d'élimination des déchets ménagers ou le magasin où vous avez acheté le produit.

DONNÉES TECHNIQUES

MODÈLE NO.	TRW12F6AS	TRW18F6AS	TRW24F6AS
Capacité	35L	51L	68L
Tension	AC 110-120V	AC 110-120V	AC 110-120V
Courant nominal	1.2A	1.2A	1.2A
Fréquence	60Hz	60Hz	60Hz
Classe de protection	I	I	I
Classe climatique	T/ST/N/SN	T/ST/N/SN	T/ST/N/SN
Plage de contrôle de la température	5-18°C/40-66°F	5-18°C/40-66°F	5-18°C/40-66°F
Réfrigérant	R600a	R600a	R600a
Volume du réfrigérant (g)	17g	17g	23g
Poids net	16.7kg/36.82Lbs	19.4kg/42.77Lbs	21.8kg/48.06Lbs
Poids brut	19.9kg/43.87Lbs	22.5kg/49.6Lbs	25.5kg/56.22Lbs
Taille du produit (LxHxP)	9.9"x31.6"x17.3"inch	13.6"x30.7"x17.3"inch	17.3"x29.5"x17.5"inch
Taille de l'emballage (LxHxP)	13.5"x36.8"x20.6"inch	16.9"x35.8"x20.7"inch	21.1"x34.6"x21.06"inch

SCHÉMA DU CIRCUIT ÉLECTRIQUE

TRW12F6AS / TRW18F6AS / TRW24F6AS



PRÉCAUTIONS DE SÉCURITÉ

⚠ **WARNING!** Pour réduire les risques d'incendie, de choc électrique ou de blessure lors de l'utilisation de votre appareil, suivez ces précautions de base ;

- **VEUILLEZ LIRE** toutes les instructions avant d'installer, d'utiliser ou de réparer l'appareil.
- **Danger et avertissement:** Le non-respect de ces consignes de sécurité peut entraîner des blessures graves, voire mortelles, ainsi que des dommages matériels.
- **RISQUE DE PIÉGEAGE DES ENFANTS.** Avant de jeter votre ancien réfrigérateur ou congélateur, enlevez les portes et laissez les étagères en place afin que les enfants ne puissent pas facilement grimper à l'intérieur. Tenez les enfants à l'écart du refroidisseur de boissons, évitez de mettre les doigts dans la sortie d'air du garde-pieds.
- **DANGER D'ÉLECTROCUTION** - Mise à la terre électrique requise.
- N'essayez jamais de réparer ou d'entretenir l'appareil tant que l'électricité n'a pas été coupée.
- Ne retirez jamais la broche ronde de mise à la terre de la fiche et n'utilisez jamais d'adaptateur de mise à la terre à deux broches.
- La modification, la coupure du cordon d'alimentation, le retrait du cordon d'alimentation, le retrait de la fiche d'alimentation ou le câblage direct peuvent entraîner des blessures graves, un incendie ou la perte de biens et de vies humaines, et annulent la garantie.
- N'utilisez jamais de rallonge pour brancher l'appareil.
- Veillez à ce que la zone de travail soit toujours sèche

PRÉCAUTIONS IMPORTANTES

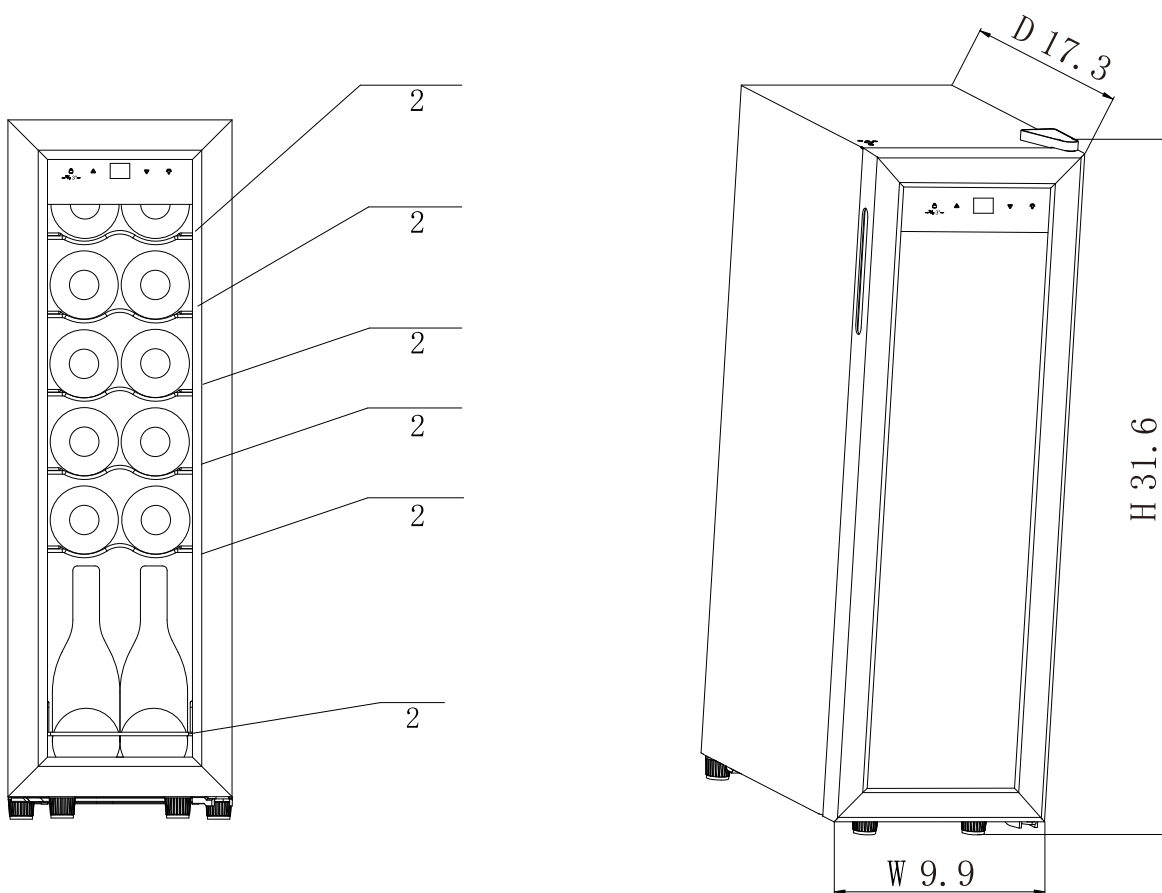
- Ne soulevez pas l'appareil par la poignée de la porte.
- Laissez la porte fermée avant d'installer l'appareil dans une armoire.
- Veillez à ce que le garde-pieds situé à l'avant de l'appareil ne soit pas obstrué. L'obstruction de la circulation de l'air peut entraîner un dysfonctionnement de l'appareil et annuler la garantie.
- Laissez la température de l'appareil se stabiliser pendant 24 heures avant de l'utiliser.
- Ne bloquez pas les ventilateurs internes.
- N'utilisez que des pièces de rechange d'origine du fournisseur. Les pièces tierces peuvent endommager l'appareil, affecter son fonctionnement ou ses performances et annuler la garantie.

INSTRUCTIONS D'INSTALLATION

- Avant d'utiliser votre refroidisseur de boissons
- Retirez l'emballage extérieur et intérieur.
- Avant de brancher l'appareil à la prise de courant, laissez-le reposer pendant environ 24 heures. Vous réduirez ainsi le risque de dysfonctionnement du système de refroidissement dû aux manipulations effectuées pendant le transport.
- Nettoyez la surface intérieure à l'eau tiède à l'aide d'un chiffon doux.
- Placez votre appareil sur un sol suffisamment solide pour le supporter lorsqu'il est entièrement chargé.
- Pour mettre votre appareil à niveau, ajustez les pieds avant au bas de l'appareil.

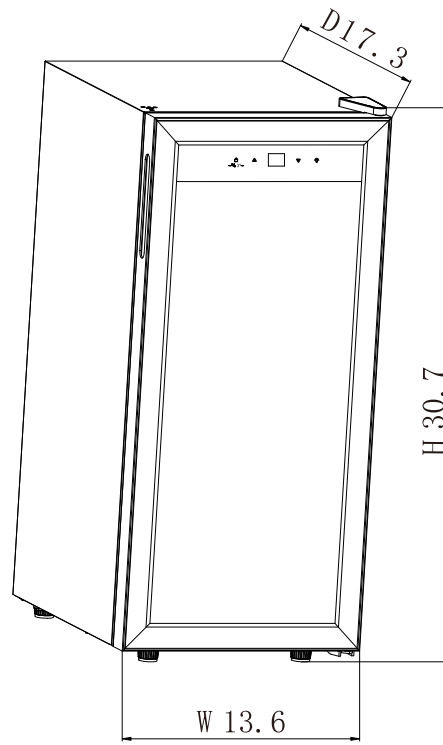
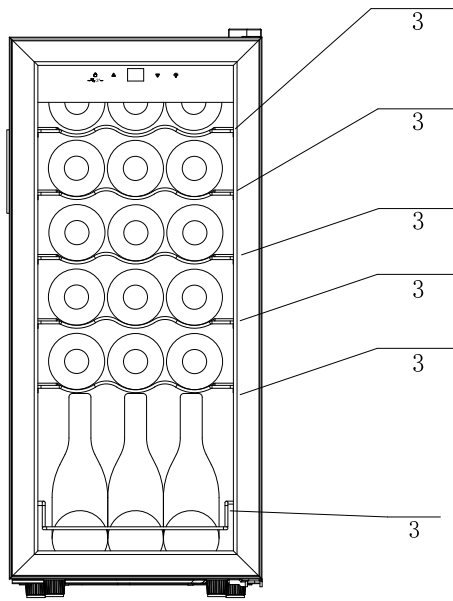
Légende de Produit

TRW12F6AS DIMENSION DE MEUBLE SUGGÉRÉE :



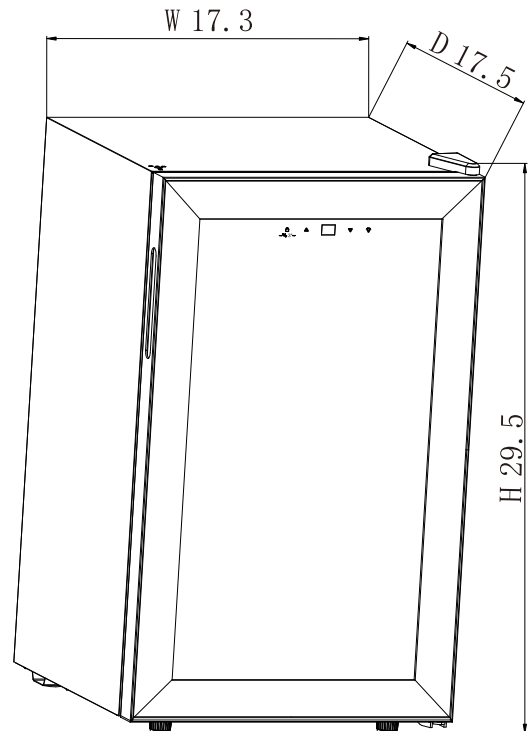
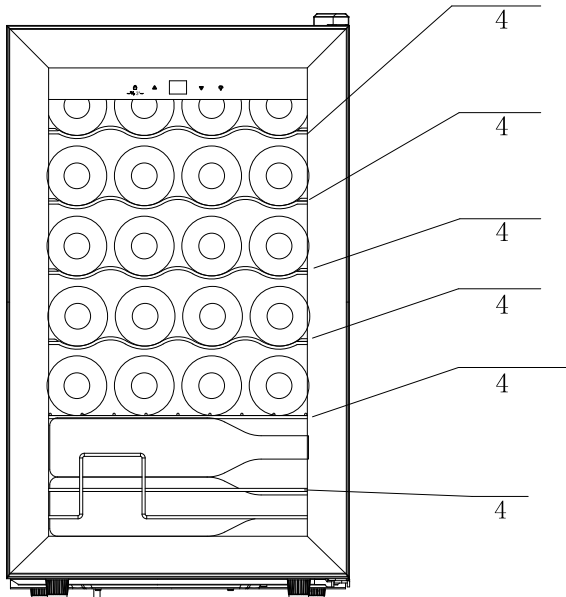
12

TRW18F6AS DIMENSION DE MEUBLE SUGGÉRÉE :



18

TRW24F6AS DIMENSION DE MEUBLE SUGGÉRÉE :

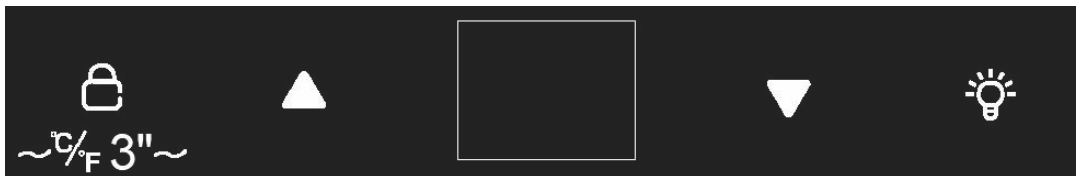





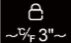

24

FONCTIONNEMENT DE VOTRE REFROIDISSEUR DE BOISSONS

Le panneau de commande:

TRW12F6AS / TRW18F6AS / TRW24F6AS



- Votre glacière est équipée d'un dispositif de verrouillage du panneau de commande qui se verrouille automatiquement. À peu près 30 secondes après la dernière pression sur un bouton.
- Appuyez sur  le bouton pour déverrouiller le panneau de commande.
- Vous pouvez régler manuellement la température à l'intérieur de la glacière en appuyant sur les boutons du panneau d'affichage. Les deux boutons du panneau  et  de l'écran permettent de régler la température de 1 °C entre 5 et 18 °C ou de 1 °F entre 40 et 66 °F.
- Vous pouvez sélectionner la température à afficher en Fahrenheit ou en Celsius en appuyant sur le bouton pendant 2-4 secondes .
- Vous pouvez allumer et éteindre la lumière intérieure en appuyant sur le bouton lumière .

ENTRETIEN ET MAINTENANCE

NETTOYAGE DE VOTRE REFROIDISSEUR DE BOISSONS

- Débranchez le refroidisseur et retirez les boissons.
- Lavez l'intérieur avec de l'eau chaude ou une solution de bicarbonate de soude. La solution doit être d'environ 2 cuillères à soupe de bicarbonate de soude pour un litre d'eau.
- L'extérieur du refroidisseur de boissons doit être nettoyé avec un détergent doux ou de l'eau chaude.

DÉPLACEMENT DE VOTRE GLACIÈRE À BOISSONS

- Retirez toutes les bouteilles.
- Fixez solidement à l'aide de ruban adhésif tous les objets non fixés à l'intérieur du refroidisseur à boissons.
- Tournez les pieds de nivellement vers le haut jusqu'à la base pour éviter de les endommager.
- Fixez la porte avec du ruban adhésif.
- Veillez à ce que le refroidisseur à boissons reste en position verticale pendant le transport.

RÉSOLUTION DES PROBLÈMES

⚠ Caution! Vous pouvez résoudre facilement de nombreux problèmes courants liés aux refroidisseurs de boissons, ce qui vous permettra d'économiser le coût d'une éventuelle intervention d'un technicien. Essayez les suggestions ci-dessous pour voir si vous pouvez résoudre le problème avant d'appeler le centre de service.

PROBLÈME	CAUSE POSSIBLE	SOLUTIONS
L'appareil ne fonctionne pas.	Le refroidisseur de boissons ne fonctionne pas.	L'appareil n'est pas branché sur une tension différente. Le disjoncteur s'est déclenché ou un fusible a sauté.
	Le refroidisseur de boissons n'est pas assez froid.	Vérifiez le réglage de la température. La porte est ouverte trop souvent. La porte n'est pas complètement fermée. Le joint de la porte n'est pas étanche. Le refroidisseur de boissons ne dispose pas d'un espace suffisant.
	L'éclairage ne fonctionne pas.	La carte de contrôle principale ne fonctionne pas. Problème du circuit imprimé. Il y a un problème avec la prise.
	La porte ne se ferme pas correctement.	Le refroidisseur de boissons n'est pas de niveau. Les portes ont été inversées et n'ont pas été correctement installées. Le joint est faible. Les étagères sont mal placées.
	Les boutons ne fonctionnent pas.	Le panneau du régulateur de température est endommagé.
L'appareil crée un mouvement inhabituel.	Vibrations	Vérifier que le refroidisseur de boissons est à niveau.
Forte accumulation d'eau sur la porte vitrée.	Eau de condensation sur la porte en verre.	Si la température ou l'humidité ambiante est très élevée et que la différence de température entre l'armoire et l'extérieur est importante, il y aura de la condensation sur l'extérieur de la vitre. Il s'agit d'un phénomène physique normal. La solution :
Bruits et odeurs inhabituels.	Le refroidisseur de boissons semble faire trop de bruit.	The beverage cooler is not leveled. Check the fan.
	Odeurs dans le refroidisseur de boissons.	Ouvrez la porte ou placez du tangelo, du charbon de bois pour éliminer les odeurs.
Les fonctions LED ne fonctionnent pas.	Le voyant DEL ne peut pas s'afficher.	La carte de contrôle principale ne fonctionne pas. Problème du circuit imprimé. Il y a un problème avec la prise.
	Erreur d'affichage du voyant DEL.	La qualité de l'affichage est médiocre. Le point de température est éteint.

TCL Amérique du Nord

GARANTIE LIMITÉE DU PRODUIT

Ce que couvre votre garantie : les défauts de matériaux ou de fabrication pour le **propriétaire initial** de ce produit TCL lorsqu'il est acheté comme neuf auprès d'un revendeur autorisé de produits de marque TCL et emballé avec cette déclaration de garantie.

PÉRIODE DE GARANTIE (UTILISATION NON COMMERCIALE) :	PÉRIODE DE GARANTIE (UTILISATION COMMERCIALE) :
Main-d'œuvre : douze (12) mois à compter de la date d'achat initiale. Pièces : douze (12) mois à compter de la date d'achat initiale.	Main-d'œuvre : six (6) mois à compter de la date d'achat initiale. Pièces : six (6) mois à compter de la date d'achat initiale.

L'utilisation commerciale comprend, sans s'y limiter, l'utilisation de ce produit dans un environnement commercial ou professionnel, l'utilisation de ce produit dans une institution ou à des fins institutionnelles, ou à d'autres fins commerciales, y compris à des fins de location.

Si votre appareil TCL présente un défaut de matériau ou de fabrication dans des conditions normales d'utilisation pendant la période de garantie indiquée ci-dessus, à compter de la date d'achat initiale du produit par le consommateur, TCL North America, à sa seule discrétion, (1) paiera à un centre de service TCL autorisé les frais de main-d'œuvre et les pièces pour réparer votre appareil, ou (2) remplacera votre appareil par un produit équivalent neuf ou remis à neuf/réparé. Si la réparation est effectuée dans un centre de service TCL autorisé, TCL n'est pas responsable des frais de transport vers le centre de service TCL autorisé. Toutefois, TCL paiera les frais de retour. TCL fournira des instructions pour l'emballage et l'expédition de l'appareil. Les appareils mal emballés et endommagés pendant l'expédition ne sont pas couvertes par cette garantie limitée du produit. Cette garantie limitée est valable uniquement pour l'acheteur initial du produit et n'est valide que lorsqu'elle est utilisée en Amérique du Nord. Vous devez avoir l'original de votre reçu d'achat ou une preuve d'achat (facture ou facture acquittée) qui indique l'état de l'appareil (neuf, d'occasion, etc.), la date d'achat de l'appareil, le lieu d'achat et le numéro de modèle/série.

COMMENT SE PASSE LE SERVICE : Composez le 1-800-825-6747 et choisissez l'invite appropriée. Veuillez préparer le type de produit, le numéro de modèle, le numéro de série et le code postal. Le dépannage et l'approbation préalable d'un représentant TCL DOIVENT avoir lieu avant d'envoyer votre produit pour réparation.

Informations sur l'enregistrement du produit

Vous trouverez le numéro de modèle et le numéro de série sur une étiquette au dos ou sur le côté du produit. **Enregistrez votre produit en ligne sur register.tcl.com.**

AUCUNE AUTRE GARANTIE N'EST APPLICABLE À CE PRODUIT. LA PRÉSENTE GARANTIE REMPLACE TOUTE AUTRE GARANTIE, EXPRESSE OU IMPLICITE, Y COMPRIS, MAIS SANS S'Y LIMITER, TOUTE GARANTIE DE QUALITÉ MARCHANDE OU D'ADÉQUATION À UN USAGE PARTICULIER. DANS LA MESURE OÙ TOUTE GARANTIE IMPLICITE EST REQUISE PAR LA LOI, ELLE EST LIMITÉE DANS LE TEMPS À LA PÉRIODE DE GARANTIE EXPRESSE CI-DESSUS. NI LE FABRICANT NI SON DISTRIBUTEUR AMÉRICAIN NE SONT RESPONSABLES DES DOMMAGES ACCESSOIRES, INDIRECTS, SPÉCIAUX OU PUNITIFS DE QUELQUE NATURE QUE CE SOIT, Y COMPRIS, SANS LIMITATION, LES PERTES DE REVENUS OU DE PROFITS, OU TOUT AUTRE DOMMAGE, QU'IL SOIT FONDÉ SUR UN CONTRAT, UN DÉLIT OU AUTRE. CERTAINS TERRITOIRES N'AUTORISENT PAS L'EXCLUSION OU LA LIMITATION DES DOMMAGES ACCESSOIRES OU INDIRECTS OU LA LIMITATION DE LA DURÉE D'UNE GARANTIE IMPLICITE, DE SORTE QUE L'EXCLUSION OU LA LIMITATION CI-DESSUS PEUT NE PAS S'APPLIQUER À VOUS. CETTE GARANTIE LIMITÉE VOUS CONFÈRE, À VOUS, L'ACHETEUR INITIAL, DES GARANTIES JURIDIQUES SPÉCIFIQUES ET VOUS POUVEZ ÉGALEMENT DISPOSER D'AUTRES DROITS QUI VARIENT D'UN ÉTAT À L'AUTRE OU D'UN TERRITOIRE À L'AUTRE. CETTE GARANTIE EST SUJETTE À MODIFICATION SANS PRÉAVIS. VEUILLEZ VISITER WWW.TCL.COM/US POUR AFFICHER LA VERSION LA PLUS RÉCENTE.

CETTE GARANTIE LIMITÉE DU PRODUIT NE S'APPLIQUE PAS :

1. Aux demandes de service à votre domicile pour la livraison ou le ramassage, l'installation, les instructions, le remplacement des fusibles de la maison, le raccordement du câblage de la maison ou de la plomberie, ou pour effectuer des réparations non autorisées.
2. Aux défaillances du produit dus à des problèmes de réception du signal sans fil qui ne sont pas causés par votre appareil, ou à des pannes ou des coupures de courant ou d'un service électrique inadéquat.
3. Aux dommages causés durant le transport ou suite à la manipulation, y compris les dommages pendant l'expédition en provenance d'un détaillant (veuillez communiquer avec votre détaillant pour obtenir de l'aide).
4. Aux dommages causés au produit par un accident, des animaux indésirables, la foudre, les vents, les incendies, les inondations ou les catastrophes naturelles.
5. Aux dommages causés par l'utilisation du produit dans une atmosphère corrosive ou humide.
6. Aux réparations lorsque votre produit TCL est utilisé autrement que dans le cadre d'une utilisation normale dans une maison individuelle, ou contrairement aux instructions décrites dans le guide de l'utilisateur du produit.
7. Aux dommages dus à un accident, à une modification, à un mauvais usage, à une utilisation inadaptée, à une négligence, à des insectes, à une usure normale, à des dommages esthétiques, à une mauvaise manipulation, à des surtensions sur les lignes électriques, à une installation incorrecte ou défectueuse, ou à une réparation ou un entretien inadéquats. Une réparation inappropriée comprend l'utilisation de pièces non approuvées ou spécifiées par TCL.
8. Marques ou images sur le panneau d'affichage du produit.
9. À un entretien normal tel que décrit dans le guide de l'utilisateur (y compris, mais sans s'y limiter, le nettoyage ou le remplacement de filtres, de bobines de nettoyage ou d'autres opérations d'entretien normales).
10. À l'utilisation d'accessoires ou de composants qui ne sont pas compatibles avec ce produit.
11. Aux produits dont les numéros de série sont modifiés, manquants, défectueux, illisibles ou supprimés.
12. Aux changements dans l'apparence du produit qui n'affectent pas les performances du produit.
13. Aux augmentations des coûts des services publics et des dépenses supplémentaires liées aux services publics.
14. Aux produits achetés auprès de revendeurs TCL non autorisés.
15. Aux produits vendus dans un état autre que neuf du fabricant d'origine ou vendus en dehors de l'Amérique du Nord.

Les frais de réparation ou de remplacement dans ces circonstances exclues seront à la charge du consommateur.

COORDONNÉES :

TCL Amérique du Nord
189 Technology Dr,
Irvine, CA, 92618.
1-877-300-9134
www.tcl.com/us

TCL

Need more help? / ¿Necesitas más ayuda? / Besoin d'aide?

support.tcl.com/us

1-877-300-9134