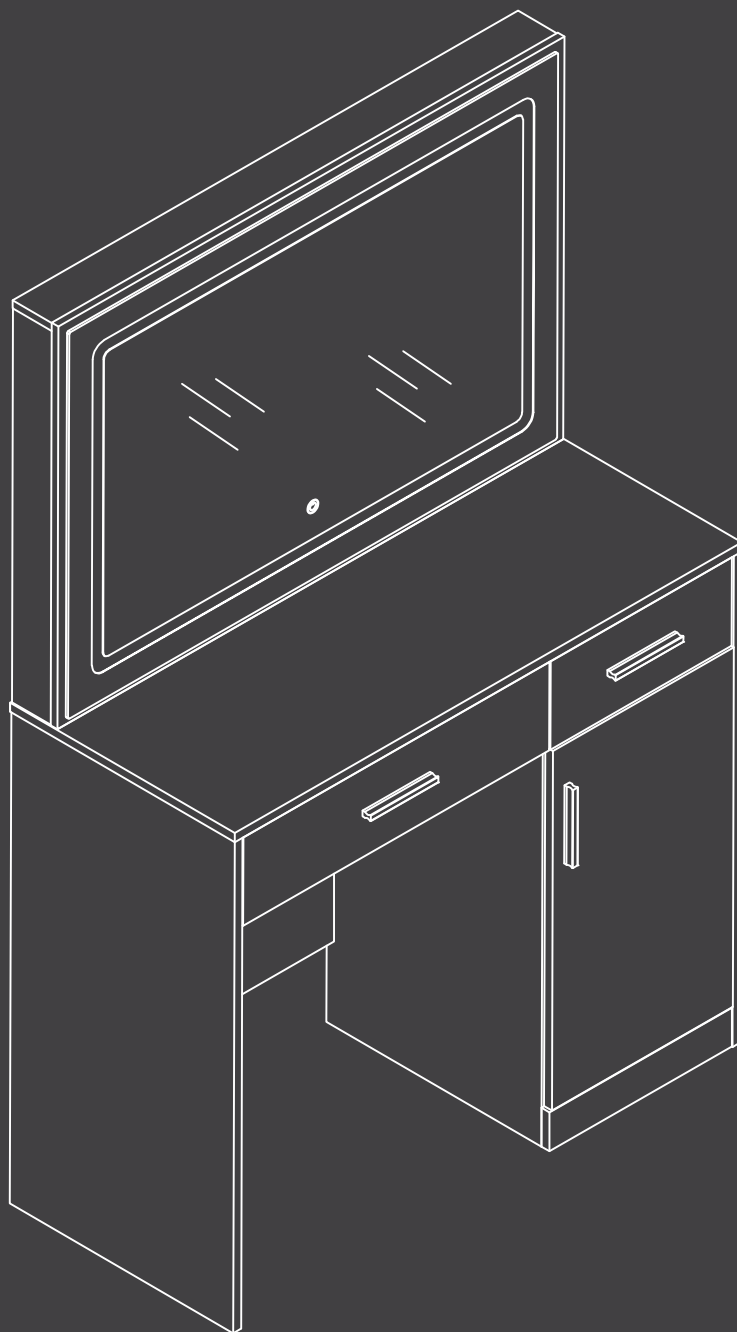
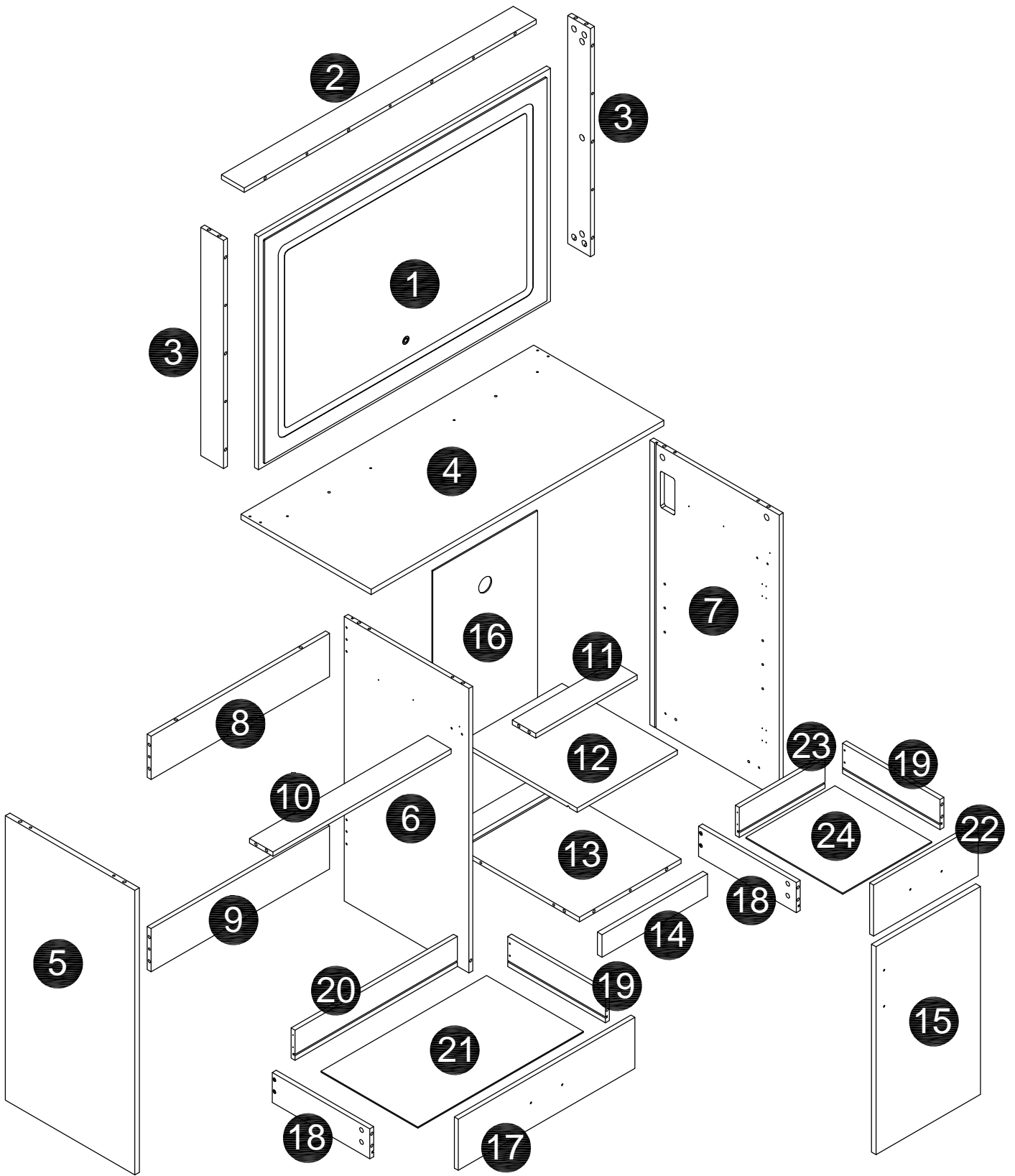


Vanity Desk

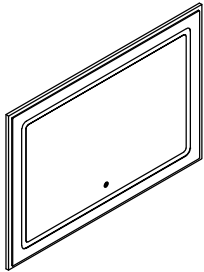
Instruction manual



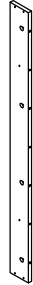


1 Component list

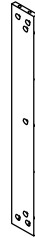
1 X1



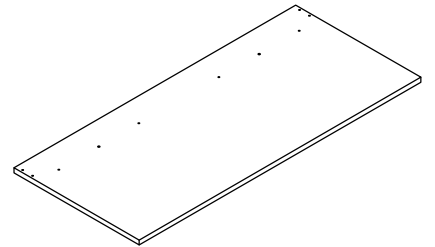
2 X1



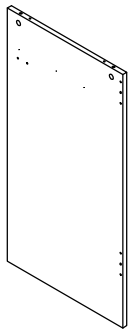
3 X2



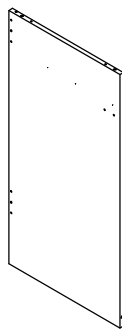
4 X1



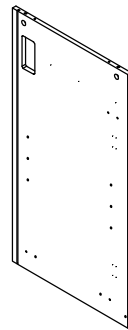
5 X1



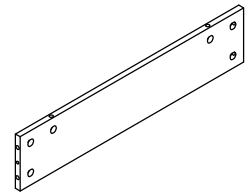
6 X1



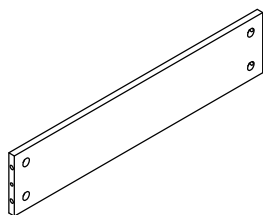
7 X1



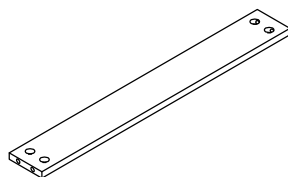
8 X1



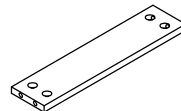
9 X1



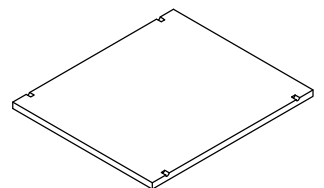
10 X1



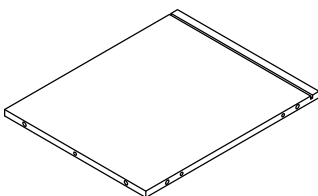
11 X1



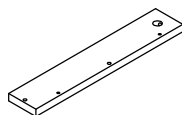
12 X1



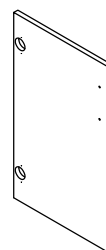
13 X1



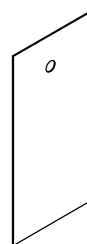
14 X1



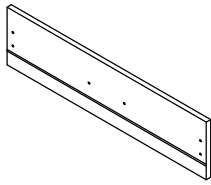
15 X1



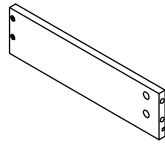
16 X1



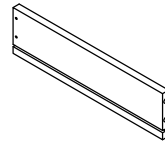
17 X1



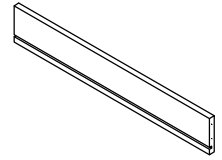
18 X2



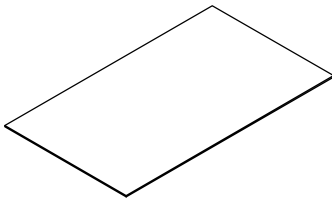
19 X2



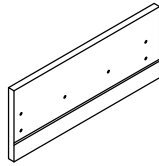
20 X1



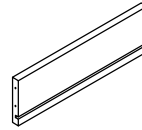
21 X1



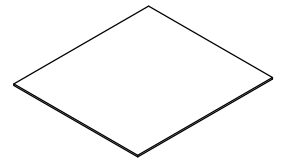
22 X1



23 X1

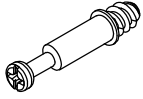


24 X1



2 Supplied Parts and Hardware

A X62+2



Ø6x34mm

B X62+2



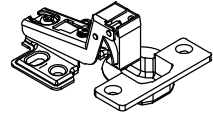
Ø15x9.5mm

C X24+1



Ø6x30mm

D X2



Ø35mm

E X24+1



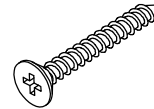
Ø3.5x12mm

F X4



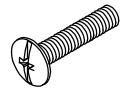
Ø4x15mm

G X8



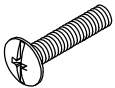
Ø4*30mm

H X2



Ø5/23"x17mm

I X4



Ø5/23"x15mm

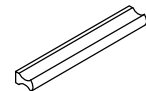
J X4



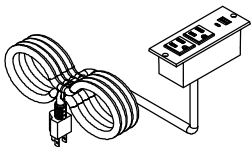
K X4



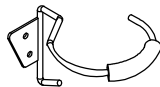
L X3



M X1



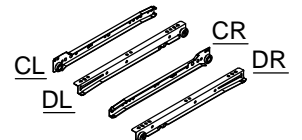
N X1



O X1

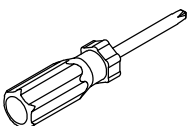


P X2SETS

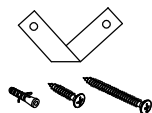


L300mm

Q X1



R X2SETS

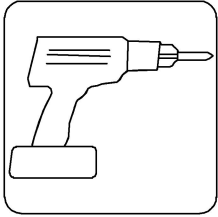


S X12

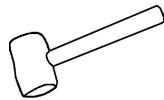


Nickel color
Ø3.5x12mm

Please have the following auxiliary tools ready:
Bitte halten Sie folgende Hilfswerkzeuge bereit:
Veuillez préparer les outils auxiliaires suivants :
Si prega di avere pronti i seguenti strumenti ausiliari:
Por favor, tenga listas las siguientes herramientas auxiliares:



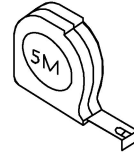
Electric Drill



Hammer



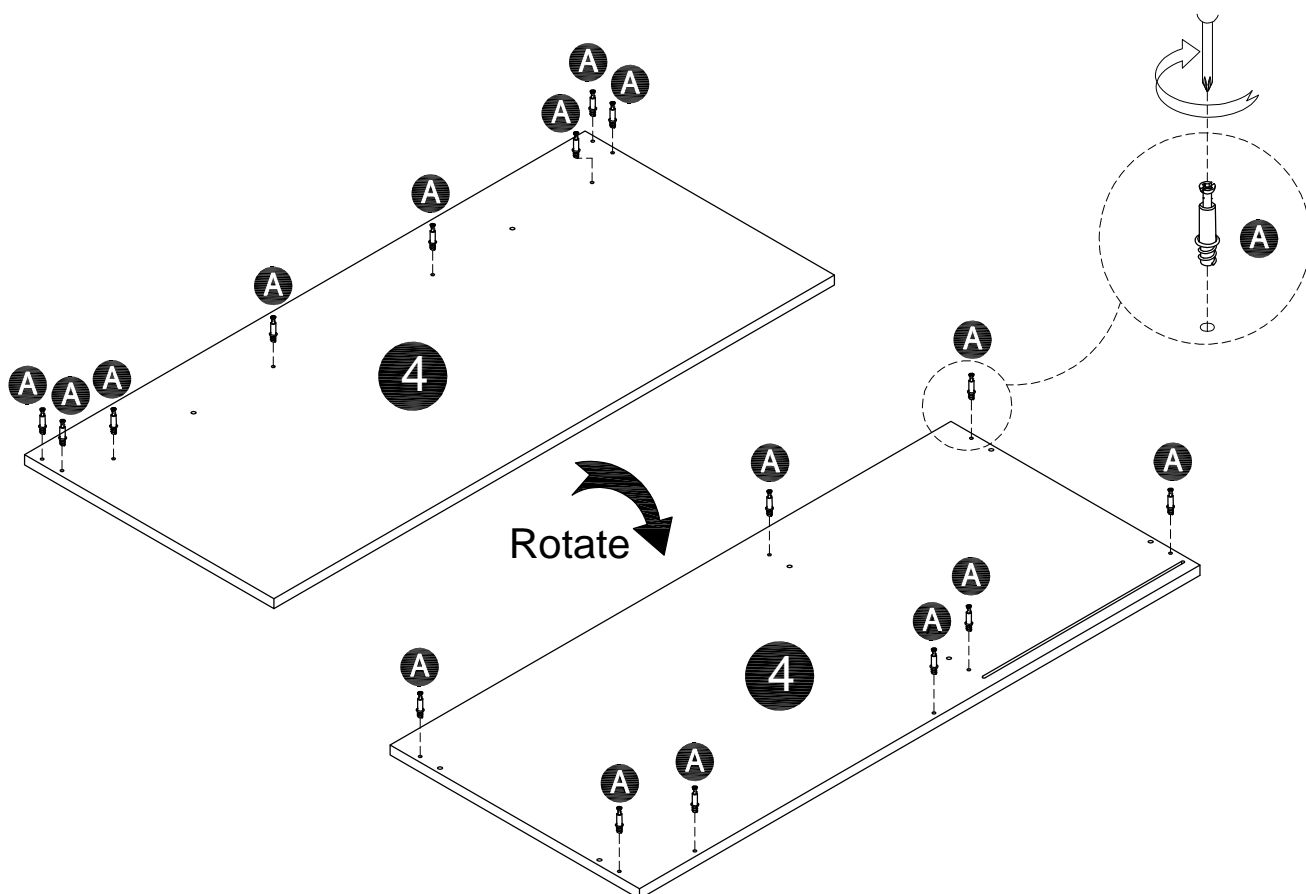
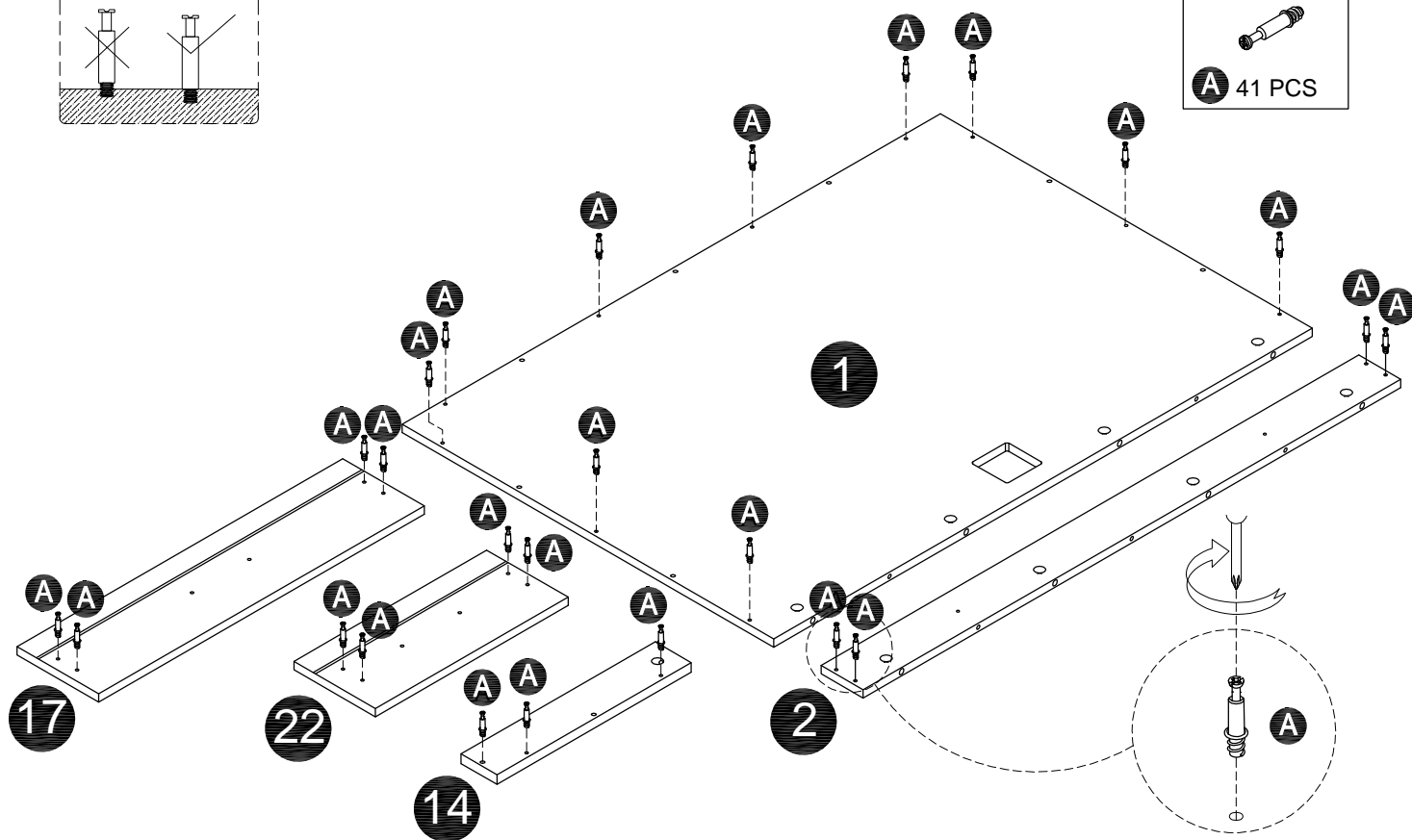
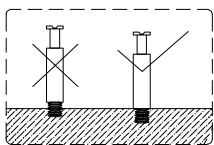
Gloves



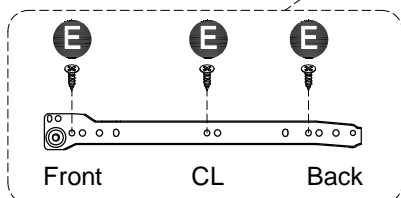
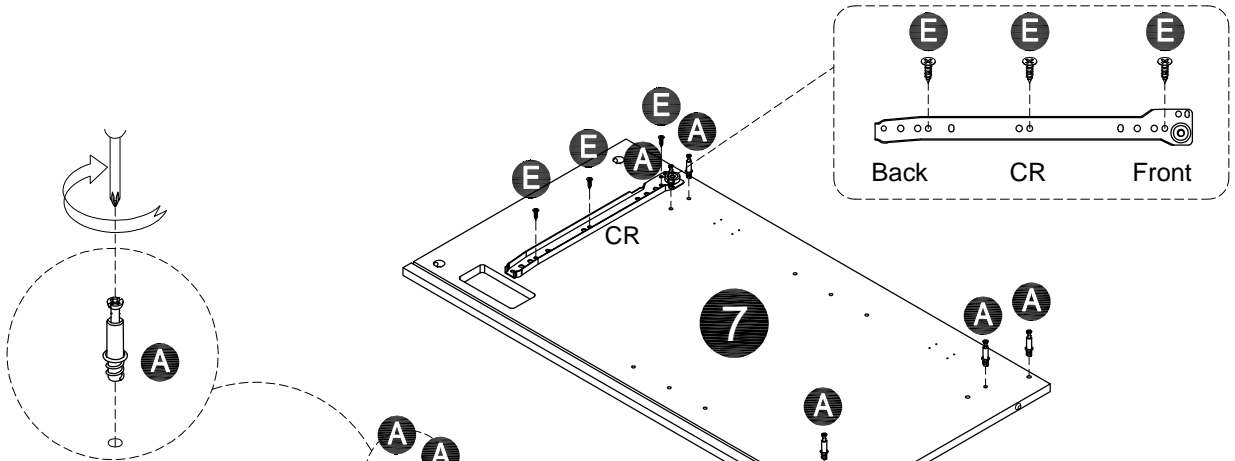
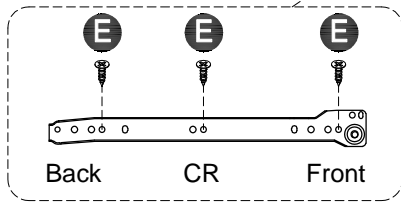
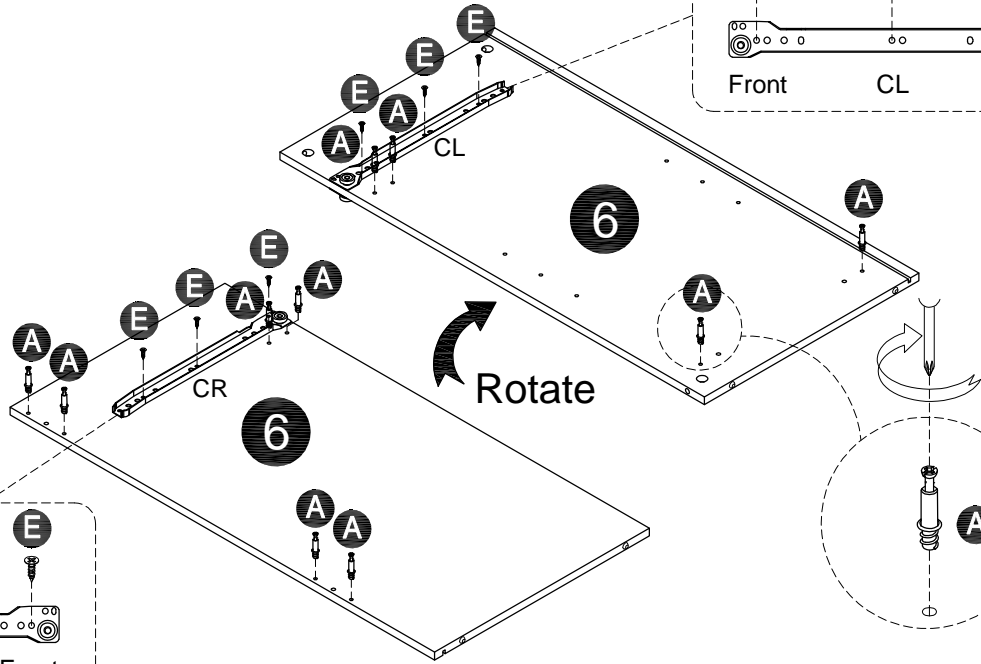
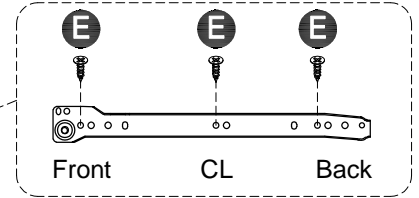
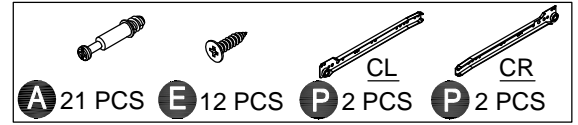
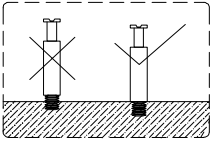
Tape Measure 5M

NOTE: This product requires at least two people for installation.

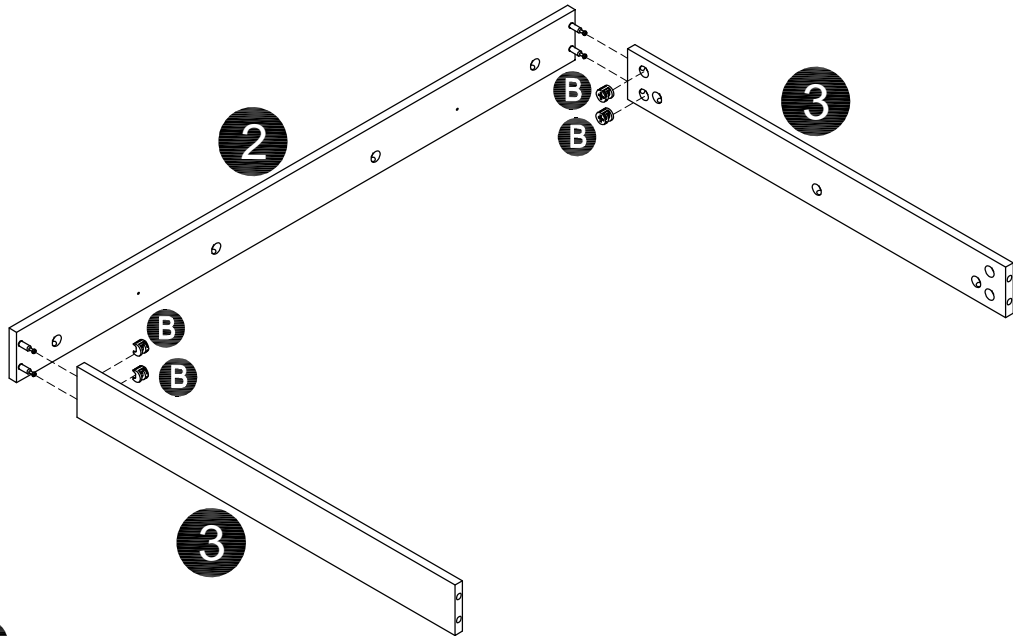
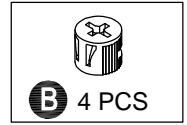
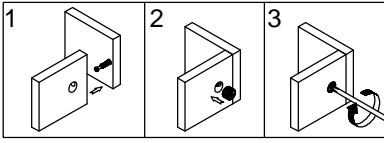
Step 1



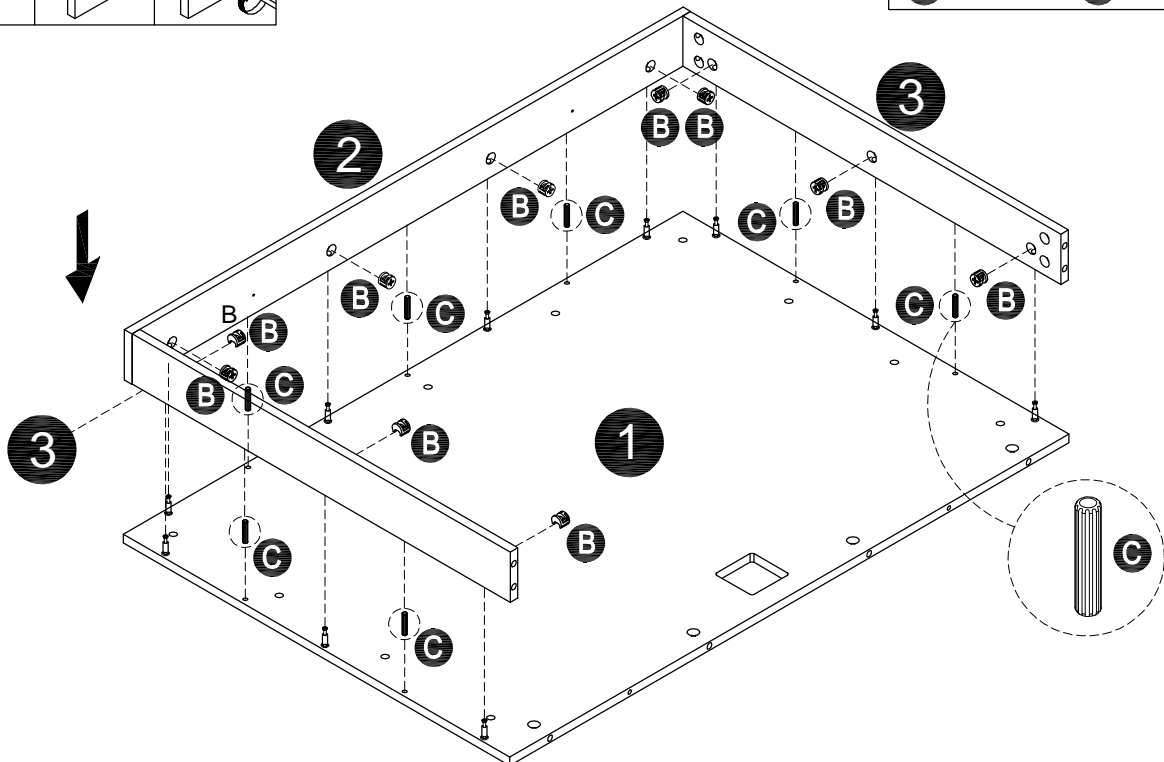
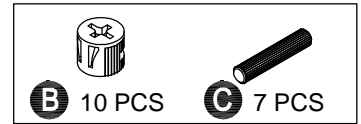
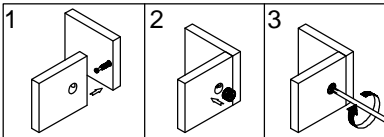
Step 2



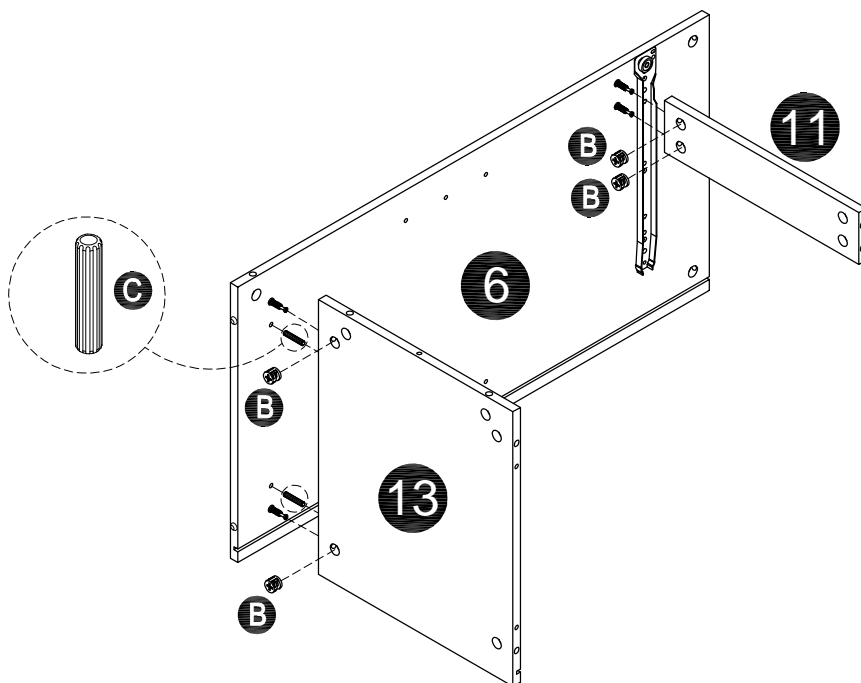
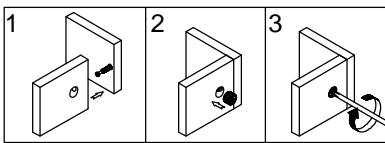
Step 3



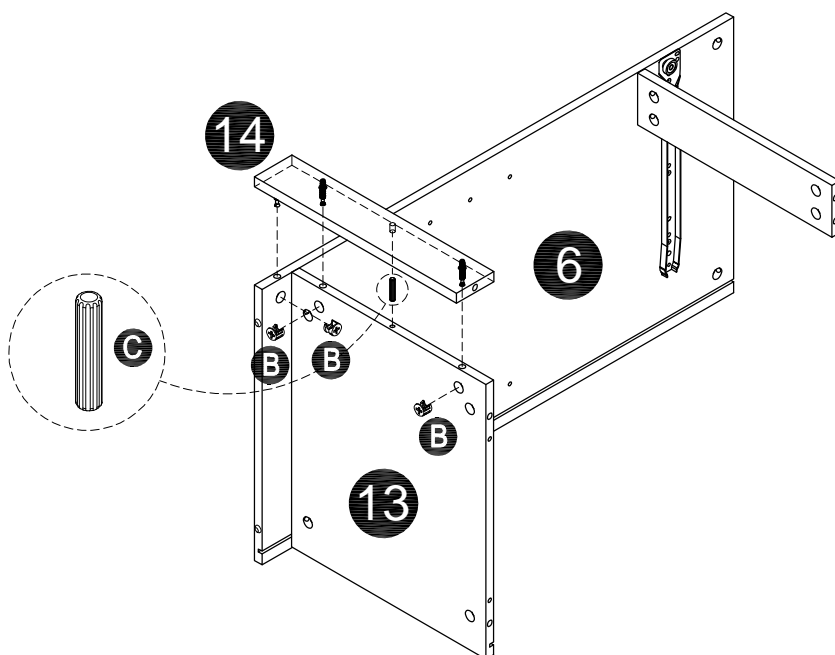
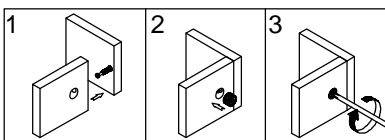
Step 4



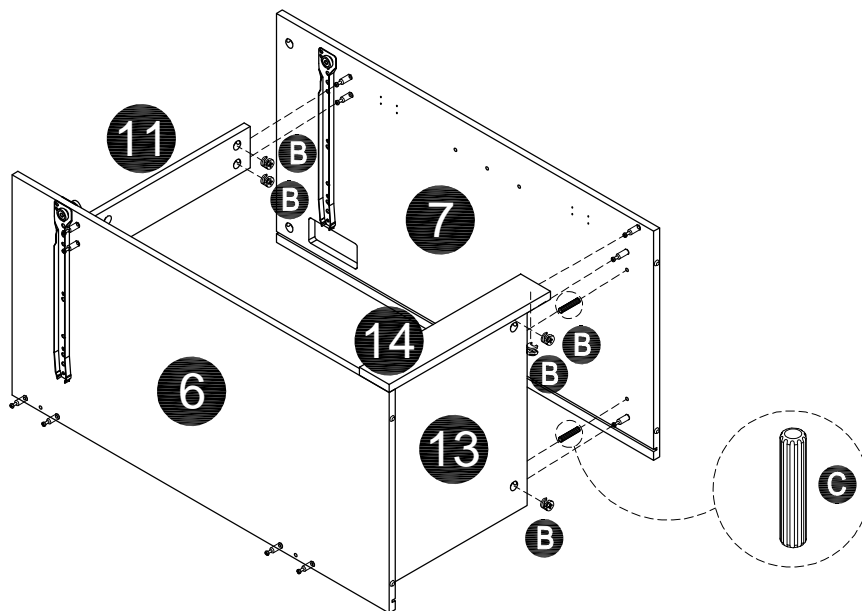
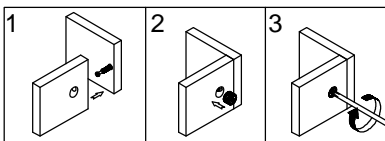
Step 5



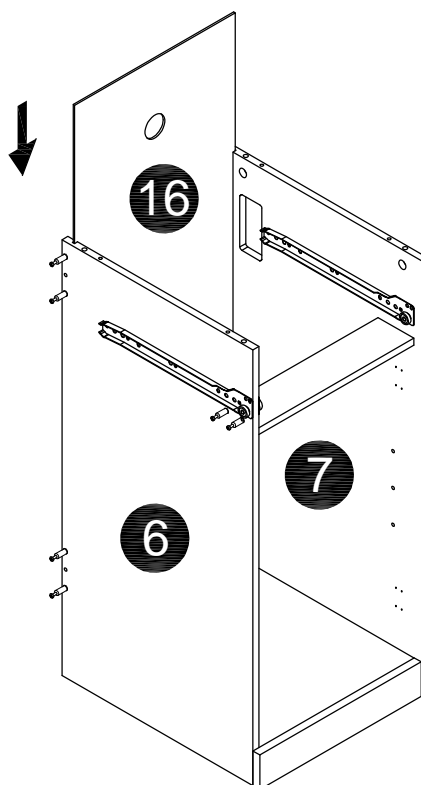
Step 6



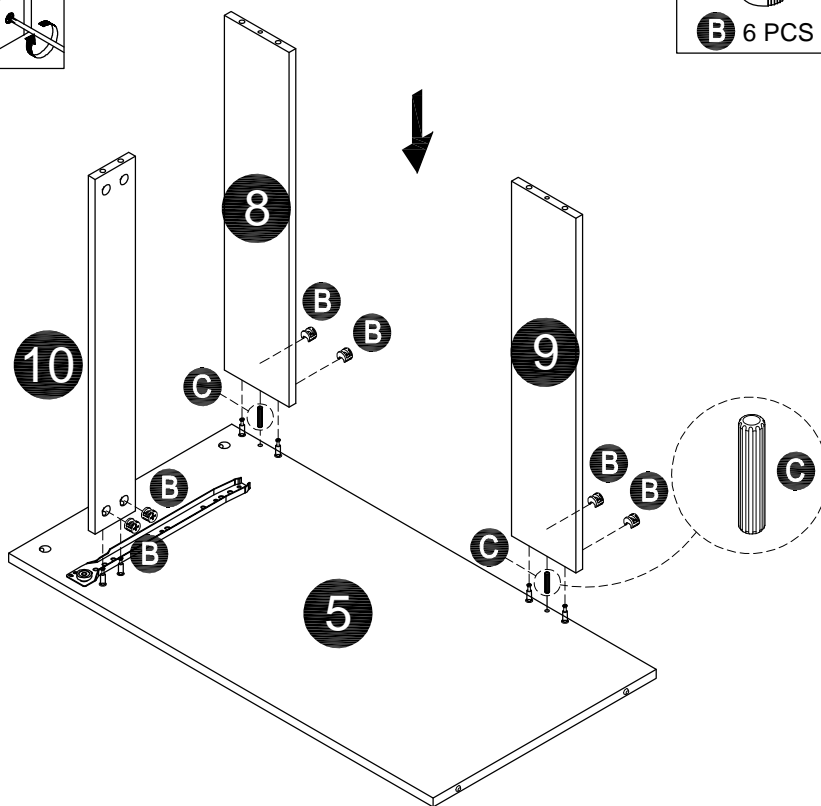
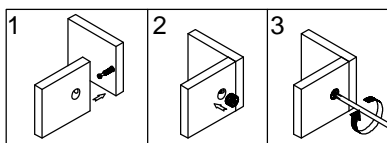
Step 7



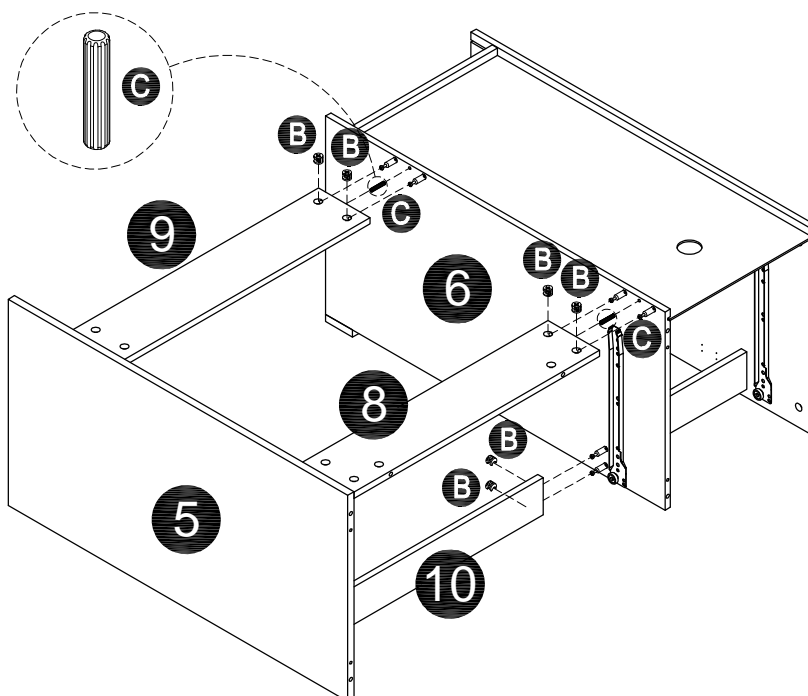
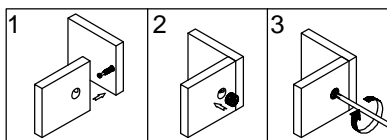
Step 8



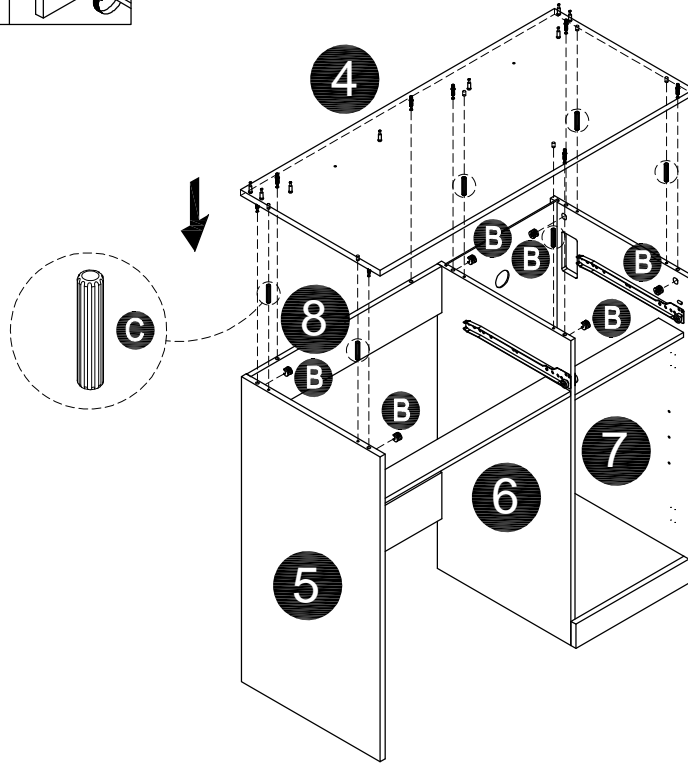
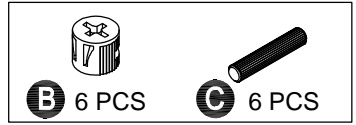
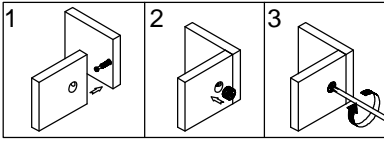
Step 9



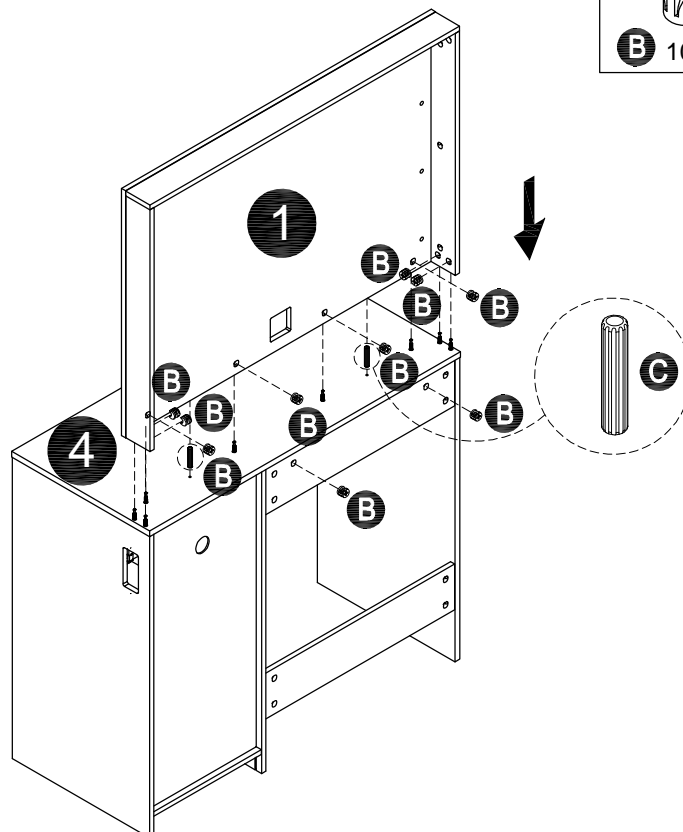
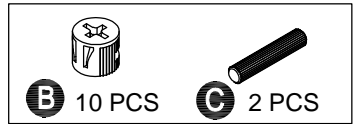
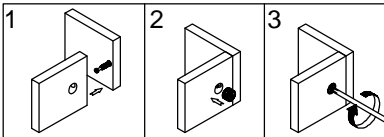
Step 10



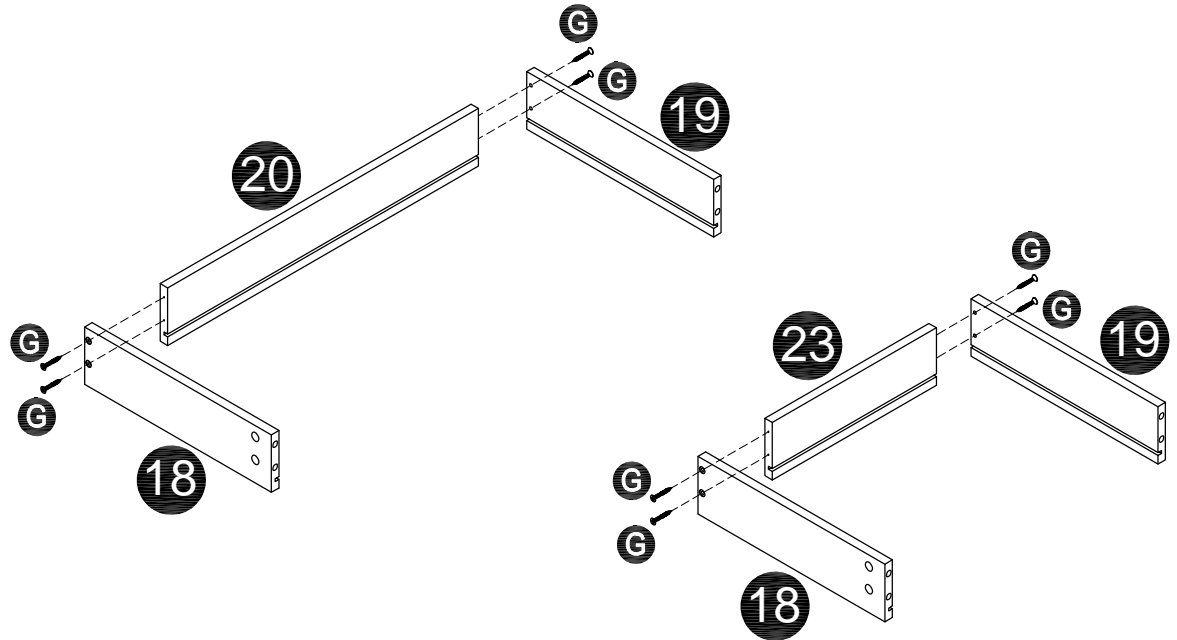
Step 11



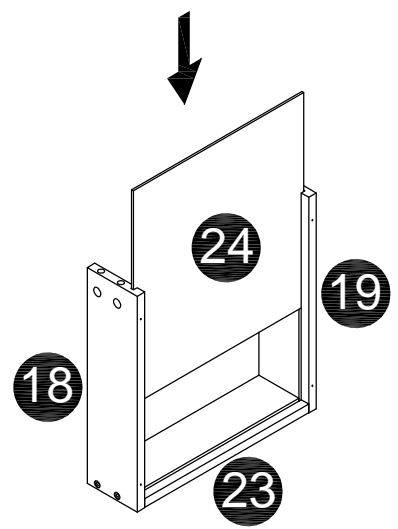
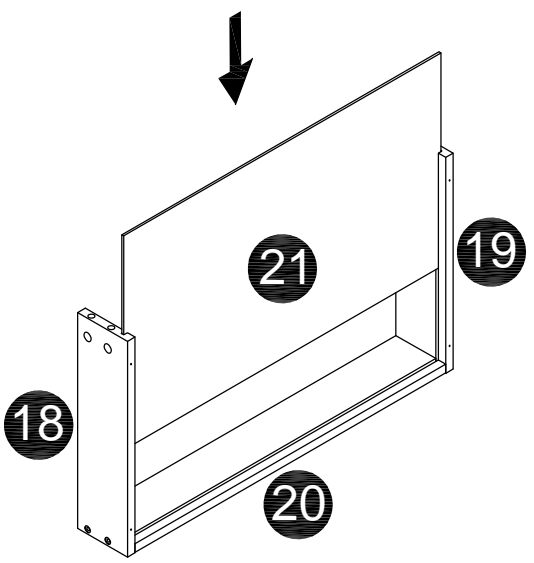
Step 12



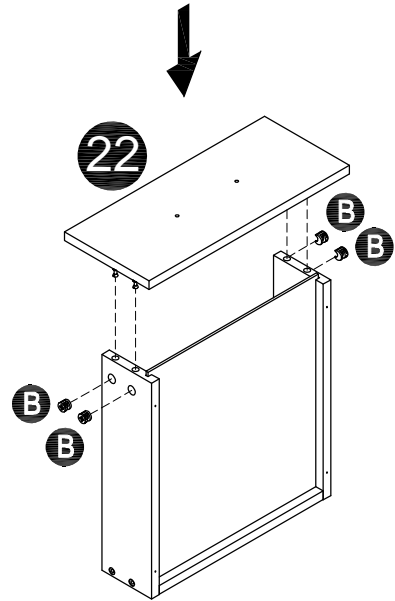
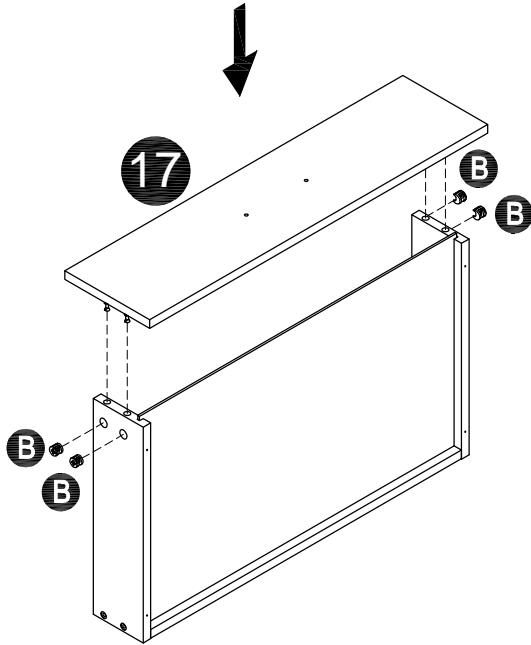
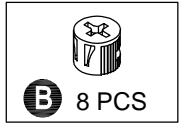
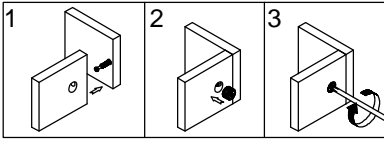
Step 13



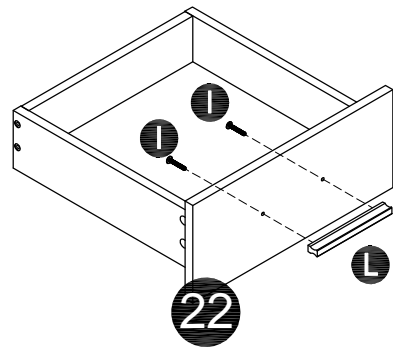
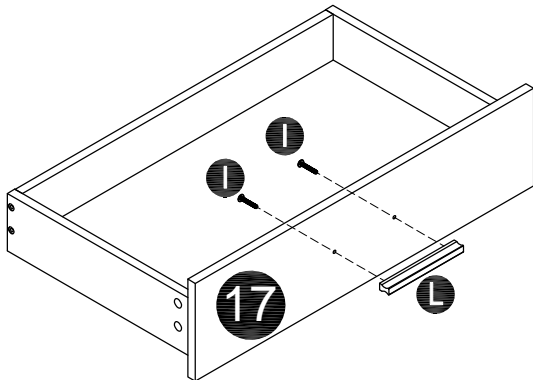
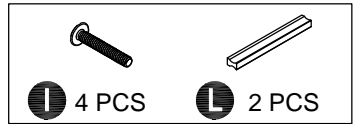
Step 14



Step 15

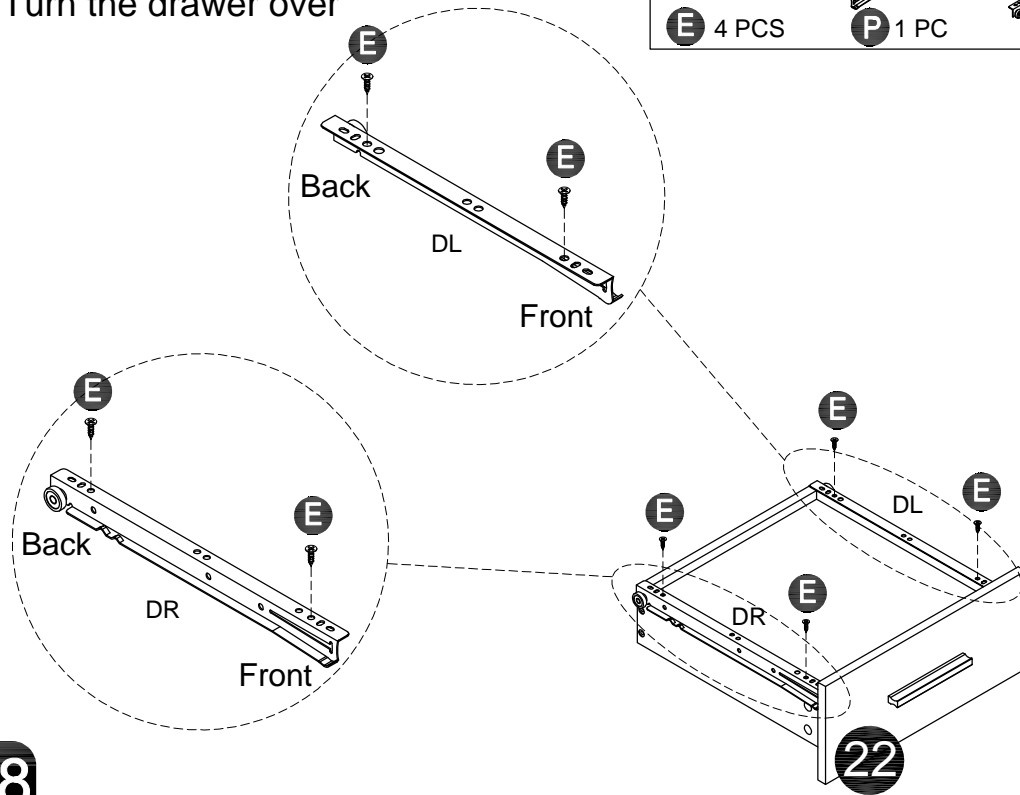
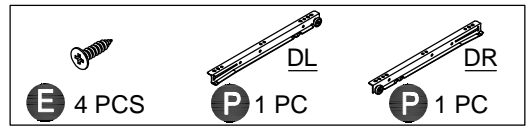


Step 16



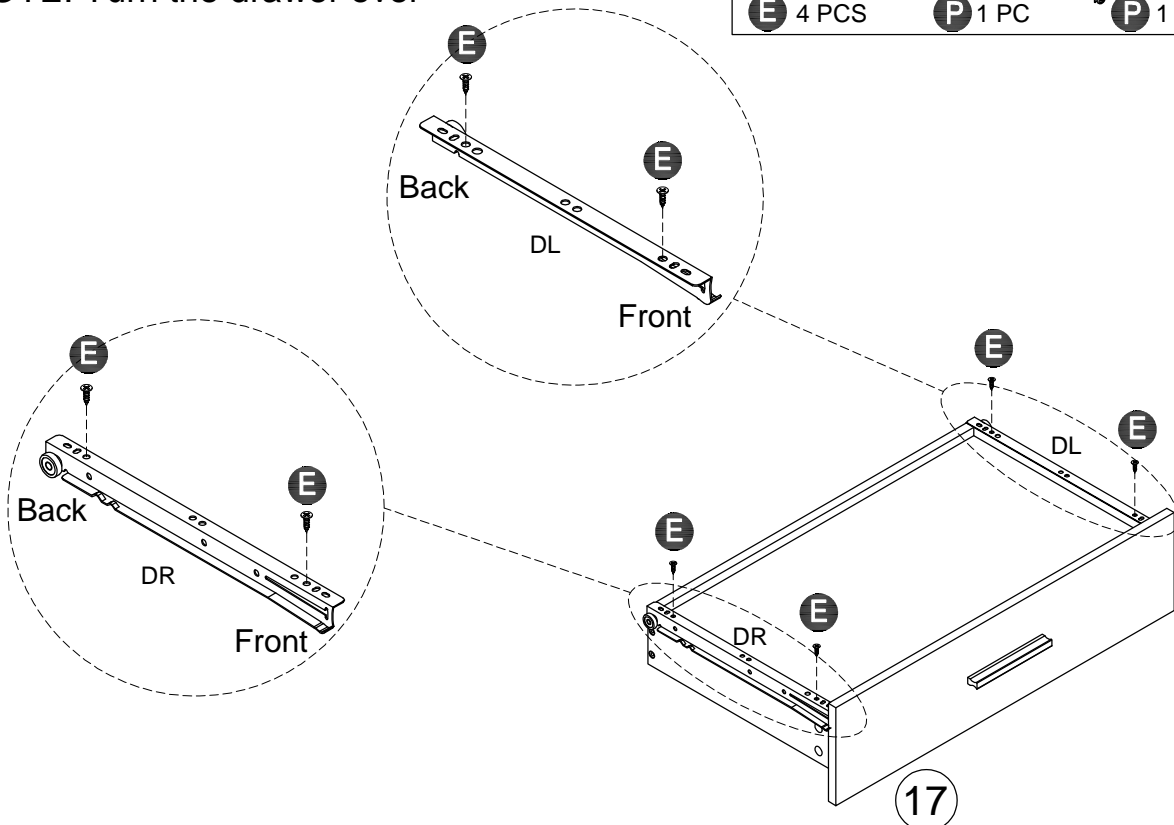
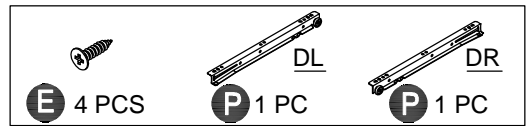
Step 17

NOTE: Turn the drawer over

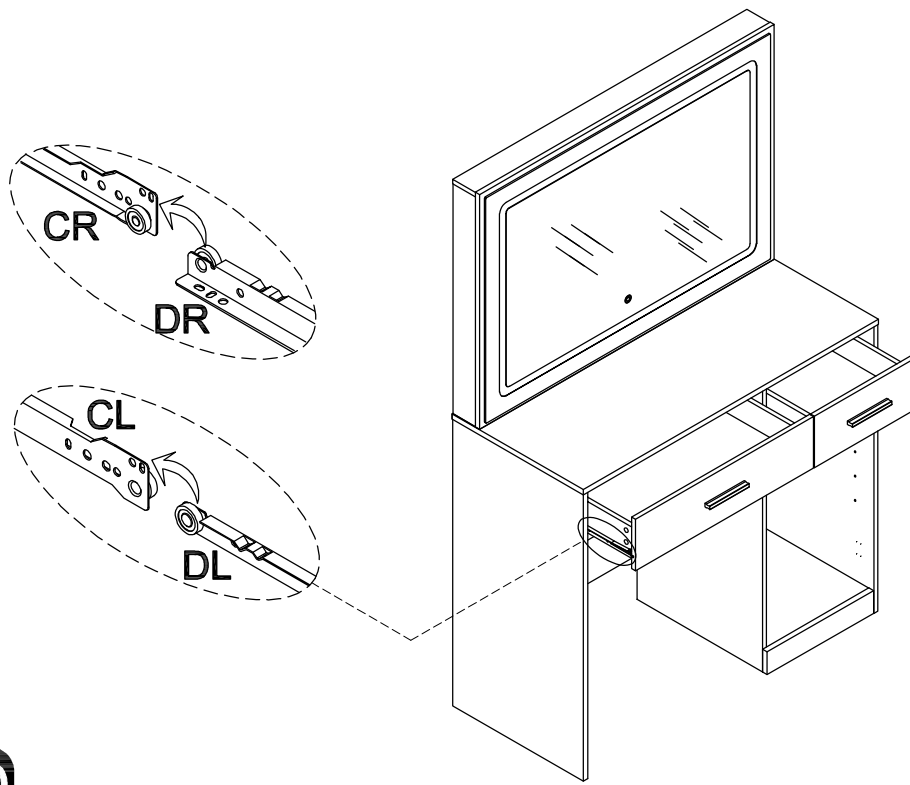


Step 18

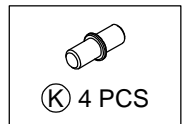
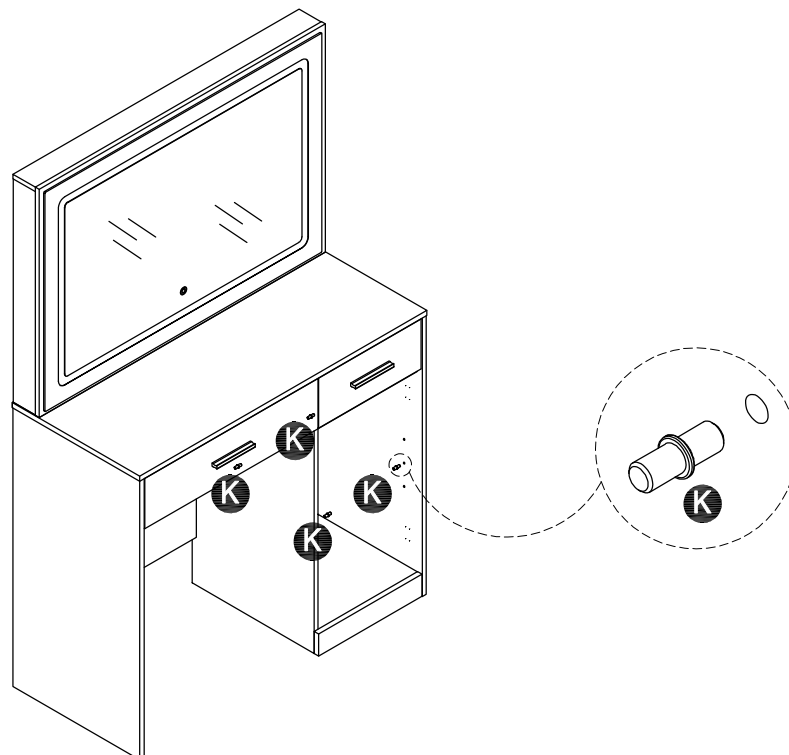
NOTE: Turn the drawer over



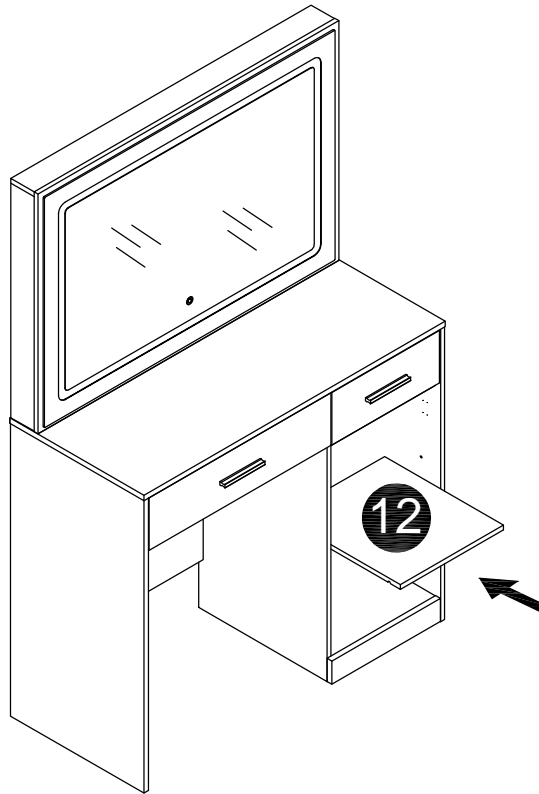
Step 19



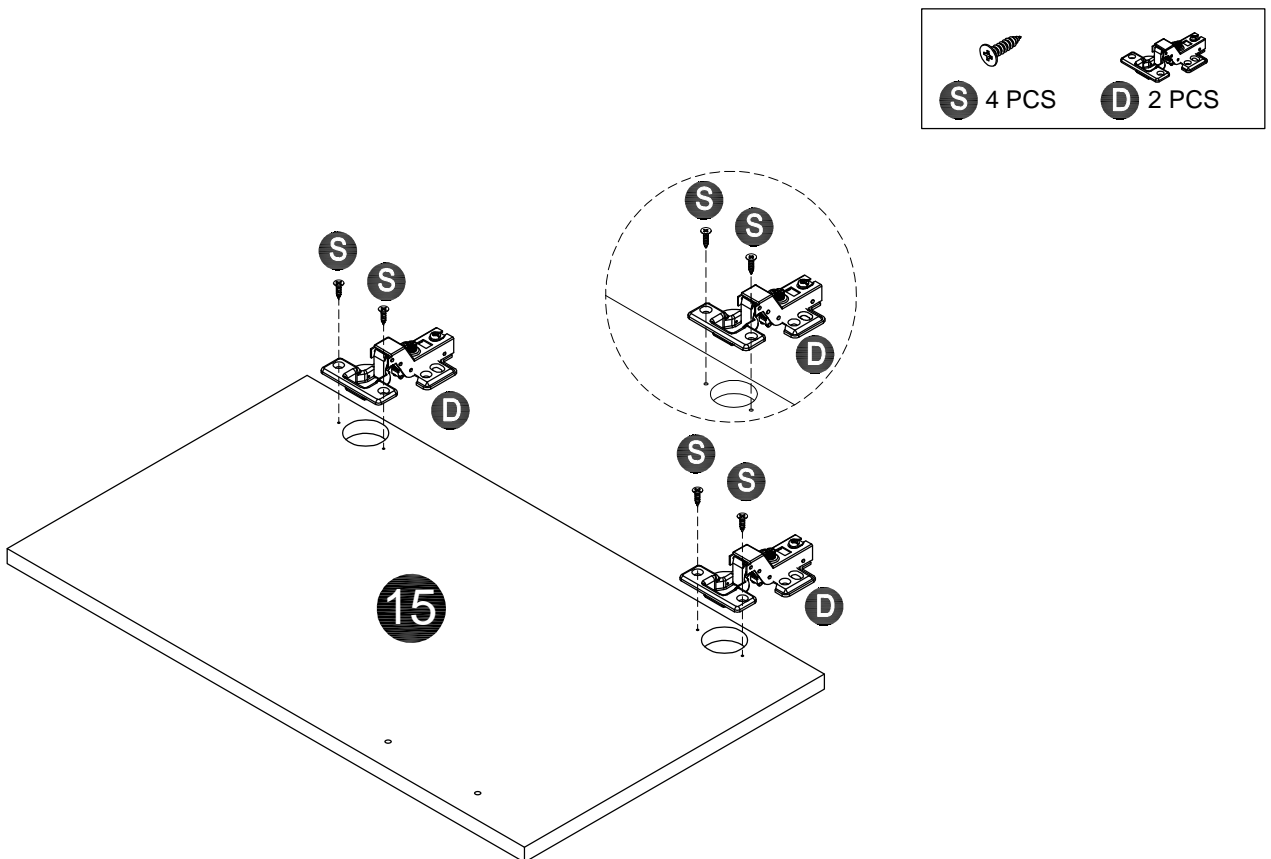
Step 20



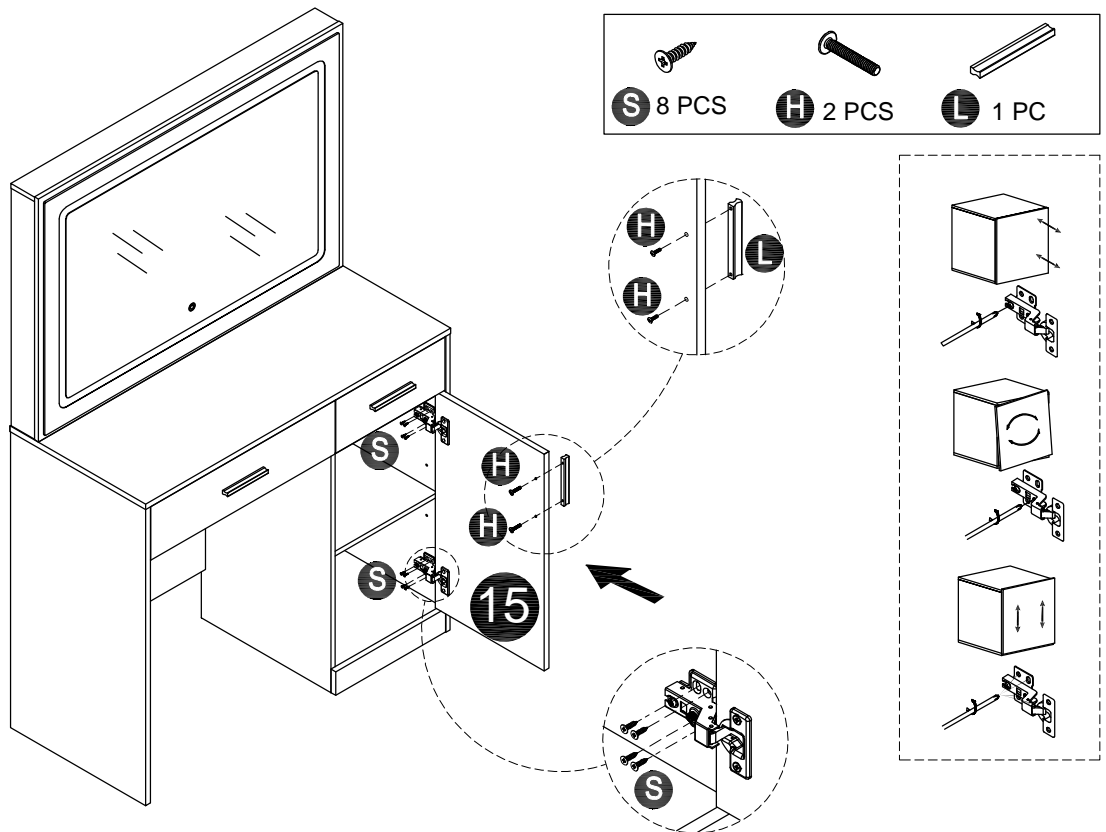
Step21



Step22

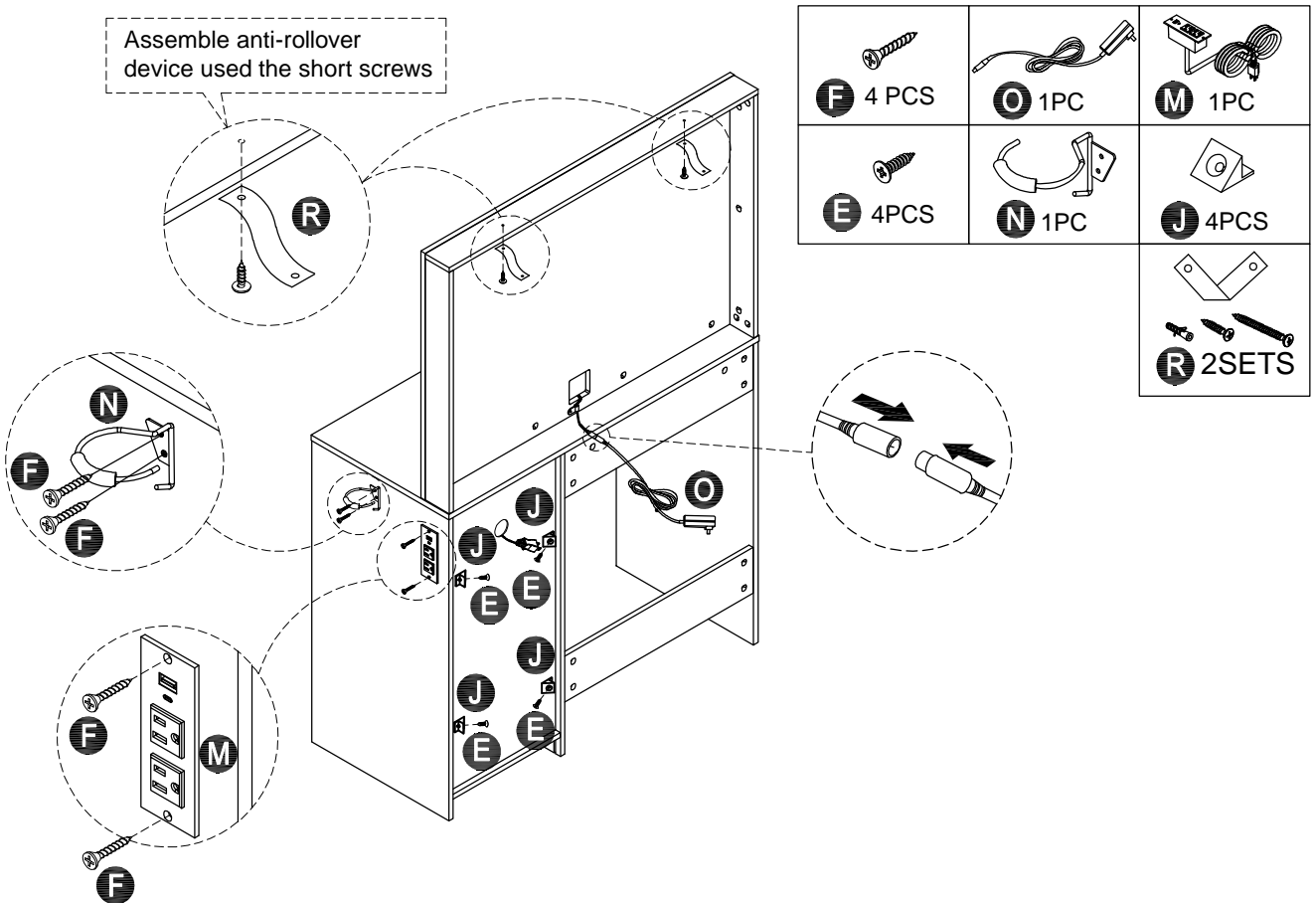


Step23



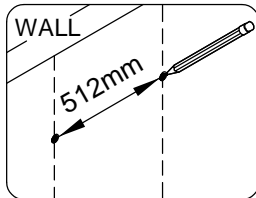
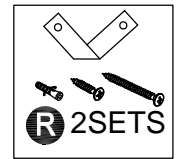
Step24

NOTE: After assembling the door, if there are any gaps or misalignment, adjust the hinges as shown right.

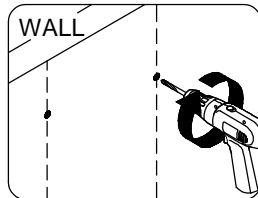


Step25

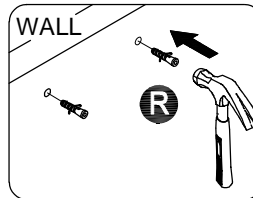
Install the anti-tip kit



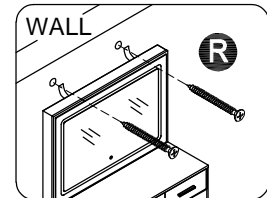
1. Make mark on the wall



2. Drill two Ø6 holes on the wall

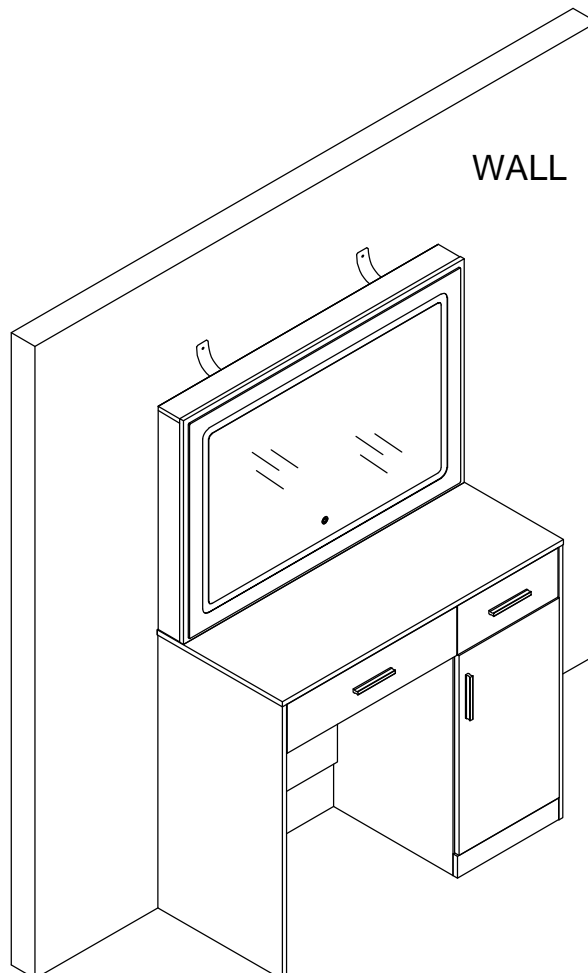


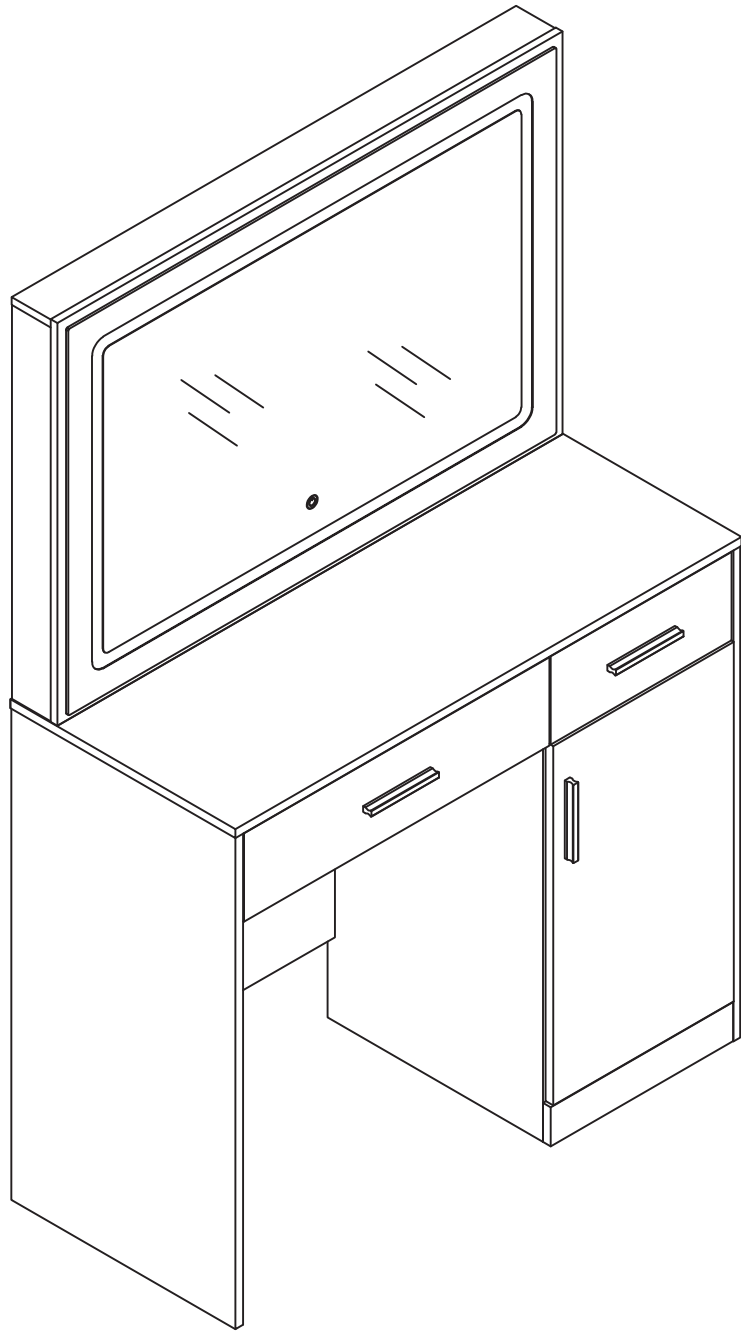
3. Put two anchors in the holes



4. Fix the device to the wall using the long screws

NOTE: Pencil, electric drill, and hammer not included.





Thank you for choosing this product. We strive to provide you with the best quality products and service in the industry. Should you have any issues, please don't hesitate to contact us.