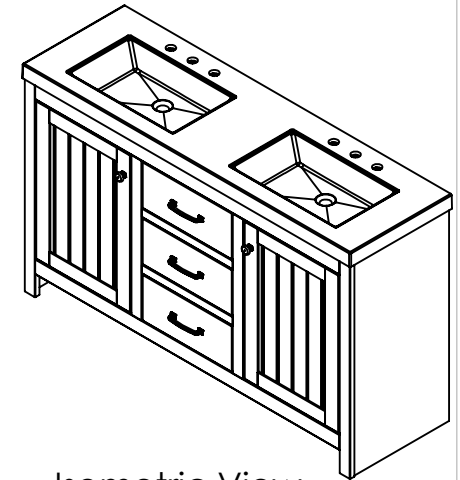
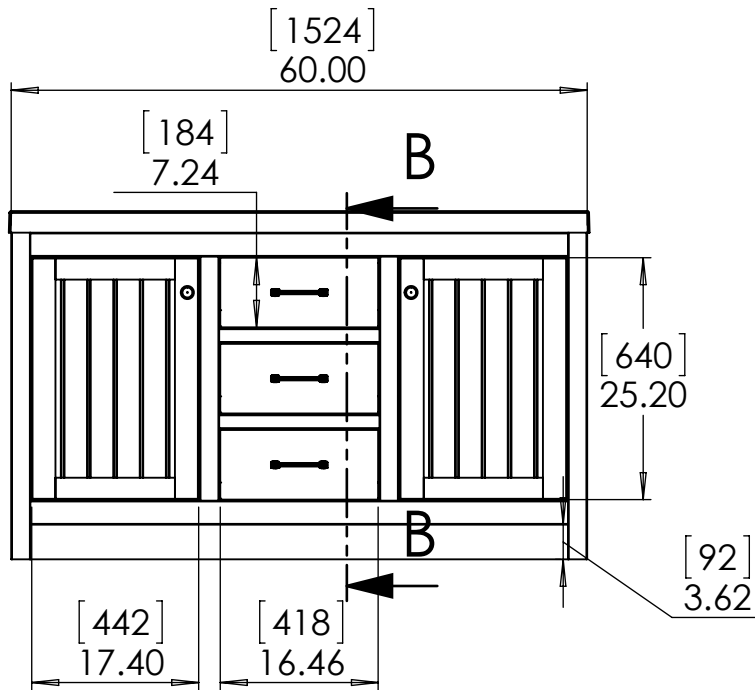


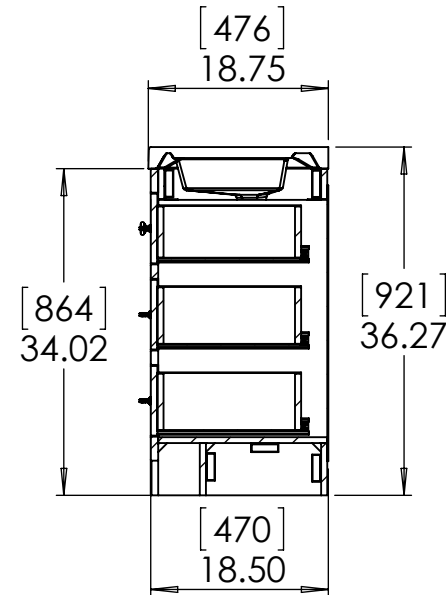
Top View



Isometric View



Front View

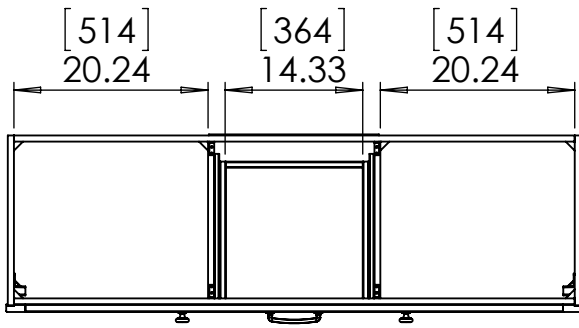


SECTION B-B
Side View

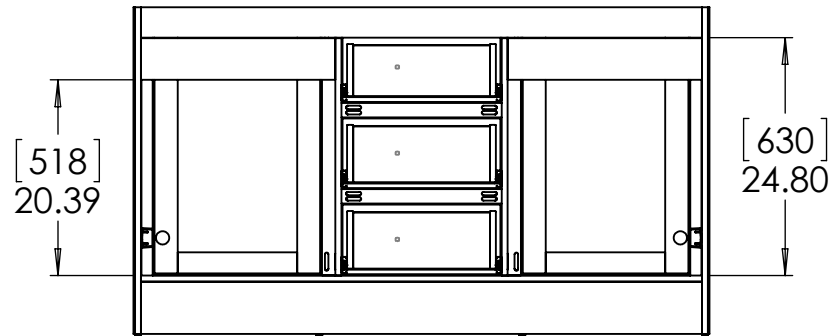
ITEM:	EC2060P2V35-SE	REV
	EC2060P2V39-WH	A
	EC2060P2V43-LY	

NAME: 60in Vanity w/White VTop - Sage /White / Light Gray

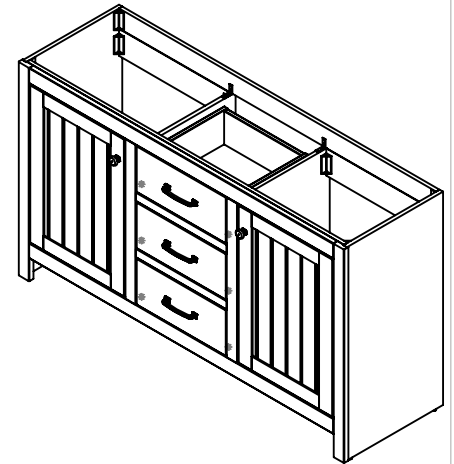
Propiedad y Confidencialidad La información contenida en este dibujo es puramente propiedad de Woodcrafters Home Products LLC. Queda prohibida cualquier reproducción parcial o total sin el permiso por escrito de Woodcrafters Home Product LLC.	DRAWING	ARB	01/08/21	MATERIAL: German beech 4/4 Particle board laminated in Light gray/White/Sage E-Commerce 2021
	REVIEW	ING	01/08/21	
	APPROVED	R&D	01/08/21	
	SCALE: 1:20	MODEL:		



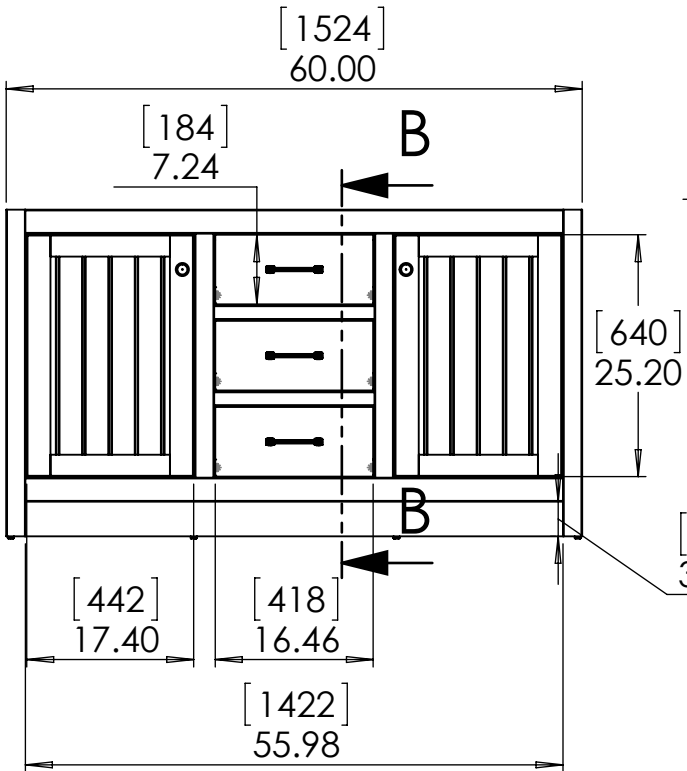
Top View



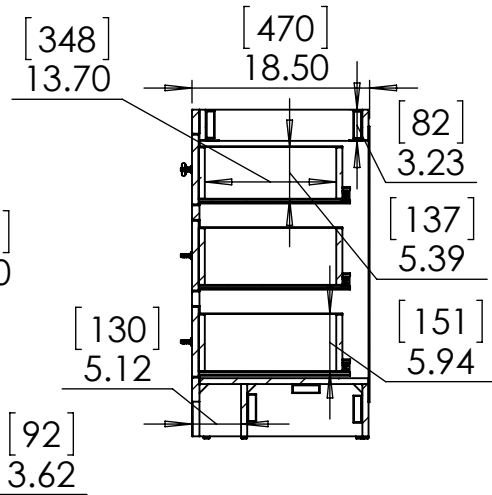
Back View Without Backing



Isometric View

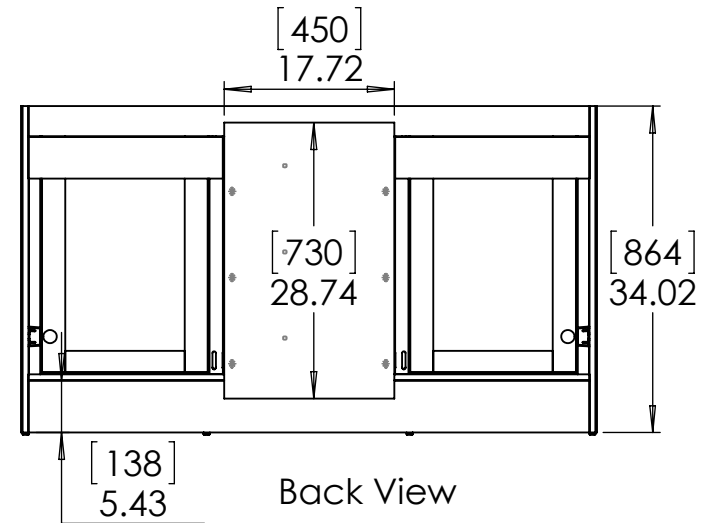


Front View



SECTION B-B

Side View



Back View

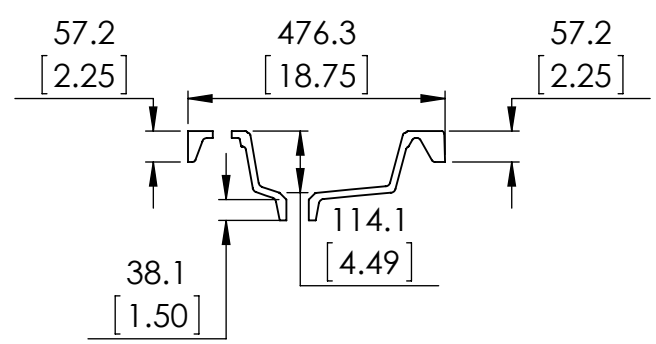
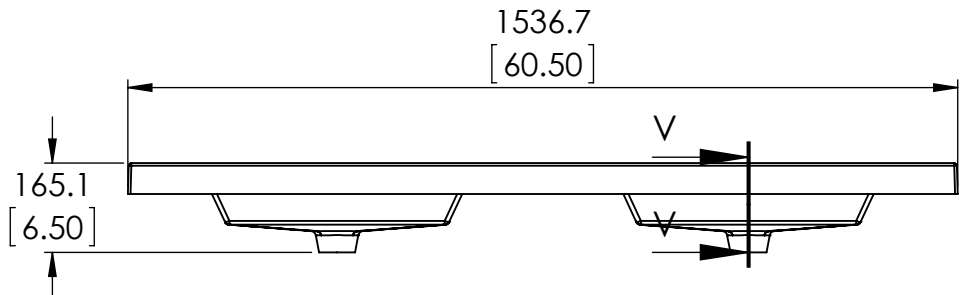
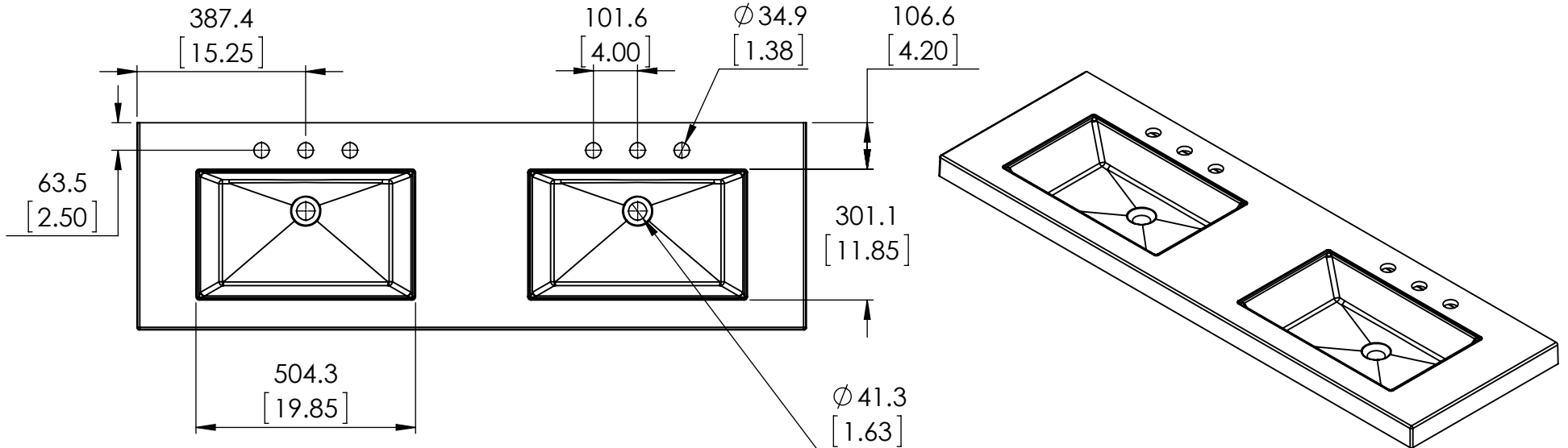
ITEM:	EC2060C35-SE	REV	
	EC2060C39-WH		A
	EC2060C43-LY		

NAME: **60in Vanity w/White VTop - Light Gray/White/Sage**

Propiedad y Confidencialidad La información contenida en este dibujo es puramente propiedad de Woodcrafters Home Products LLC. Queda prohibida cualquier reproducción parcial o total sin el permiso por escrito de Woodcrafters Home Product LLC.	DRAWING	AIMT	12/28/20	MATERIAL: German beech 4/4 Particle board laminated in Light gray/White/Sage
	REVIEW	ING	12/28/20	
	APPROVED	R&D	12/28/20	
	SCALE: 1:20	MODEL:	E-Commerce 2021	

ITEM TYPE	ITEM ID	ITEM DESCRIPTION	DRAWING STATUS
FG		Vtop Oslo 60.5x18.75 8 in	
FG	ECOS61T10-WH	Vtop Oslo 60.5x18.75 8 in White	

REV	DESCRIPTION	DATE	APPROVAL
0	RELEASED	04/16/20	O. Razo
1	Add new ITEM ID	01/12/21	J. Guzman



SECTION V-V

PROPRIETARY AND CONFIDENTIAL THE INFORMATION CONTAINED IN THIS DRAWING IS THE SOLE PROPERTY OF WOODCRAFTERS. ANY REPRODUCTION IN PART OR AS A WHOLE WITHOUT THE WRITTEN PERMISSION OF WOODCRAFTERS IS PROHIBITED.	UNLESS OTHERWISE SPECIFIED DIMENSIONS ARE IN MM. AND [INCHES] TOLERANCES ARE + 3.175 [0.125] - 3.175 [0.125] SCALE:1:14	NAME	DATE	SIZE DWG. NO. SHEET 1 OF 1	
		DRAWN	J. Guzman		01/12/2021
		CHECKED	O. Razo		01/12/2021
		ENG APPR.	W. Amaya		01/12/2021
		MFG APPR.	A. Casiano		01/12/2021
A			PLUG		