

LAIKEYO (Table lamp)

Set of 2 Vase Glass Table lamp

Please refer to the video page for the installation video

Model:LK8928 /LK8929 /LK8930

■ Specification

Voltage: 110-130V

Wattage: 60 Watt Max

Material:Crystal & Glass

Lamp holder: E26

Bulb info: A19 6W 2700K

Switch control:ON/OFF

Wire Length: 59in/1500mm

Usage: Indoor use only

■ Package Include

2 x Lampshade

2 x Lamp Base

4 x Metal rings

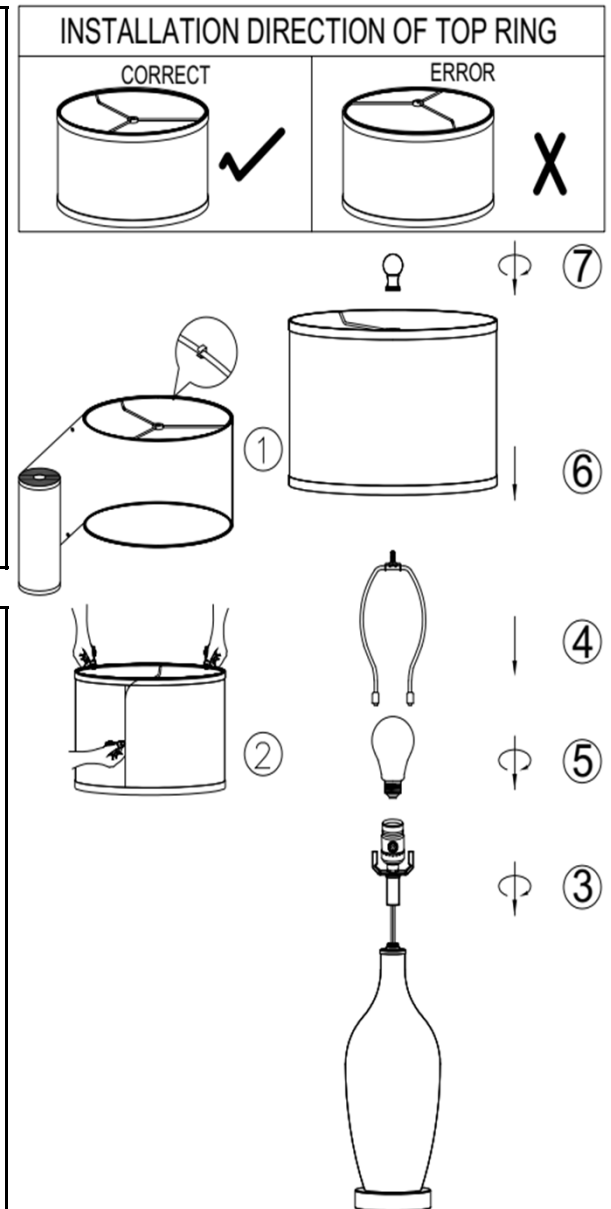
2 x Finial

2 x Harp

1 x User Manual

■ Easy Installation

- 1.Put the bottom ring on the table,then attach 3/4 lampshade around the bottom ring.
- 2.Attach the top ring to the upper lampshade and the rest 1/4 lampshade to the bottom ring.Then fix the place where the lampshade is joined end to end.
- 3.Fasten Socket Assembly into Base be careful not to twist power cord.
- 4.Attach two legs of the lamp harp to the saddle.
- 5.Install the bulb.
- 6.Fix the lampshade on the lamp harp.
- 7.Screw the finial to secure the lampshade. (When the lampshade is tilted, refer to the lampshade adjustment instructions below.)



YouTube video tutorial, scan the
QR code to watch

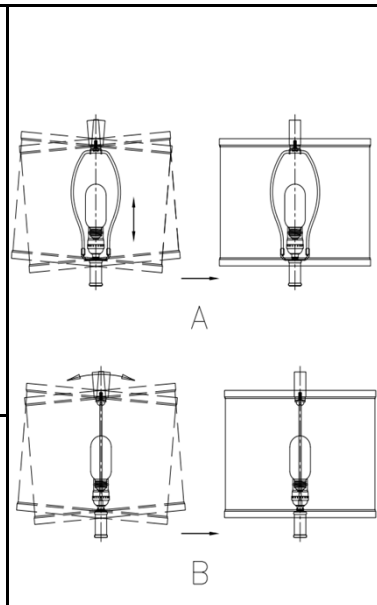


Search on YouTube for Laikeyo Table
Lamp Installation Guide

■ Adjust the angle of the lampshade

- A.Adjust the angle in the forward direction
- B.Adjust the angle from the side

Refer to Figure A&B



■ Attention

1. If you want to replace the included 2700K vintage LED bulb, it is recommended to use an incandescent bulb or L bulb with a maximum wattage of 60 watts.
- 2.The bulb will increase the brightness when it is reaching its lifespan or has partial short-circuit. At that moment, please switch off, change a bulb and use it as you would normally.
- 3.Please shut off the power and unplug it before you screw in a new bulb.
- 4.Don't put the lamp in overheating working condition or cast it into fire.