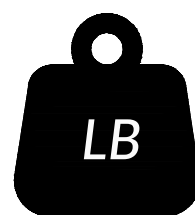
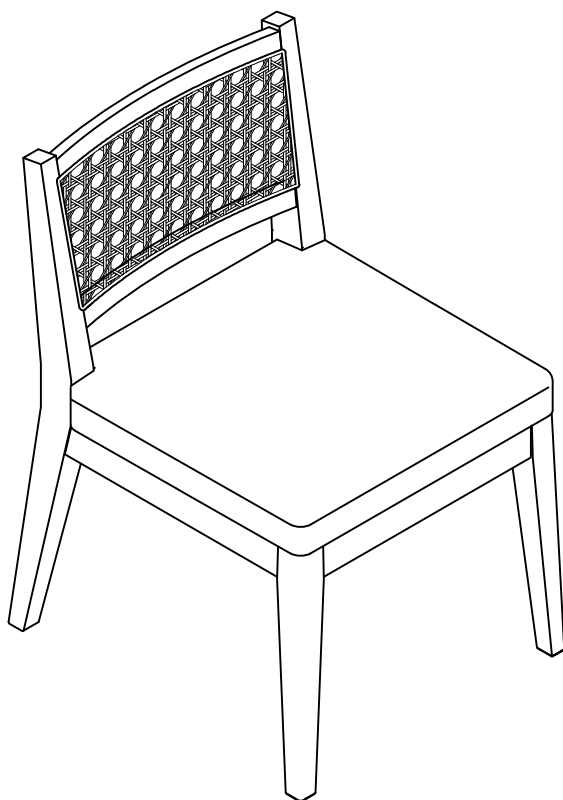


Owner Manual



Per Seat Weight Limitation

300 LBS

*This brochure contains
IMPORTANT safety info.
Please read and keep it
for future reference.*

MAINTAINANCE AND WARNINGS



Before You Start

Please follow the steps below:




- ⚠ Un box the package and check if all parts and accessories are complete.*
- ⚠ Place the parts of the sofa on a flat surface.*
- ⚠ Ensure the sofa is placed on a stable, flat surface to prevent it from tilting.*
- ⚠ Avoid placing sharp or heavy objects directly on the sofa to prevent tears or deformation.*
- ⚠ Follow the assembly instructions provided to attach the cushions, backrest, and armrests securely.*
- ⚠ Clean the installation area in advance and ensure the ground is level and there is enough space to avoid damaging the furniture or making installation difficult.*
- ⚠ Lay a protective mat on the ground to prevent scratching the floor during installation.*

After-Sales Service

- If you encounter any issues or need technical support during use, please contact our after-sales team. We offer long-term maintenance and warranty services.*





Precautions

-  This product for indoor use only. Do not expose it to outdoor elements or high-humidity environments.
-  Keep the product away from high heat or open flames to prevent fire hazards.
-  Do not allow children to climb on the product to prevent personal injury caused by tipping



Safety Warnings

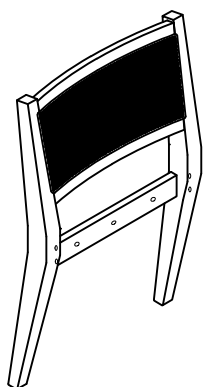
-  If you notice any loose or damaged parts, stop using the product immediately and contact customer service.
-  Do not attempt to disassemble or replace any components yourself, as this may affect the stability and safety of the product.

Daily Maintenance

- Regularly clean the surface of the sofa with a soft cloth to prevent dust accumulation.
- Do not use cleaning agents containing acids, alkalis, or corrosive substances, as they may damage the surface. It is recommended to use neutral cleaning agents or specialized cleaners
- Avoid exposing to humid environments for extended periods to prevent swelling or deformation of the boards. Use a dehumidifier or desiccant during humid weather.
- Avoid direct contact of with water. If water is accidentally spilled, wipe it dry immediately.
- Avoid placing excessively heavy objects on the : ensure the weight is within a reasonable load-bearing range.
- Avoid using sharp or rough items on the surface to prevent scratches, Handle items gently when moving them

Parts List

A



x1

Chair back

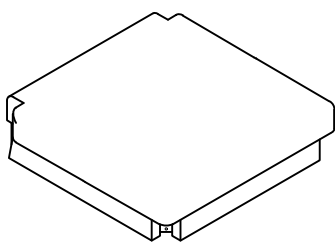
B



x2

Front legs

C



x1

Seat frame

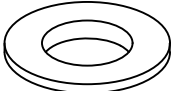

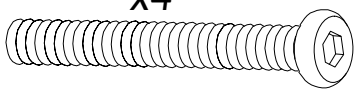
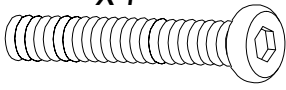
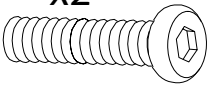
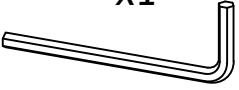
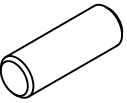


*Installation:
15minutes.*



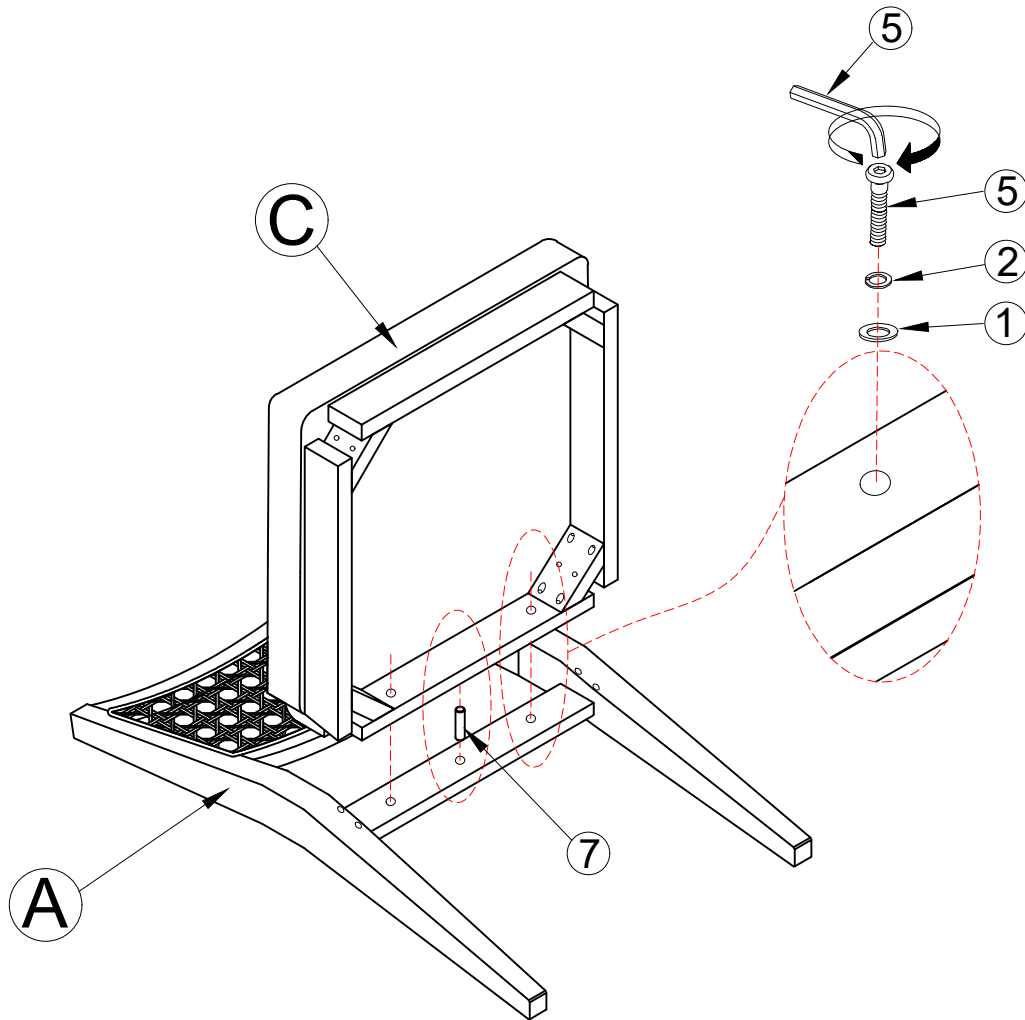
Two Person

Hardware List

<p>1</p>  <p>x10+1</p> <p>Ø1/4x19mm</p>	<p>2</p>  <p>x10+1</p> <p>Ø1/4x13mm</p>	<p>3</p>  <p>x4</p> <p>Ø1/4x75mm</p>
<p>4</p>  <p>x4</p> <p>Ø1/4x60mm</p>	<p>5</p>  <p>x2</p> <p>Ø1/4x35mm</p>	<p>6</p>  <p>x1</p>
<p>7</p>  <p>x1</p> <p>12*35mm</p>		

Step 1

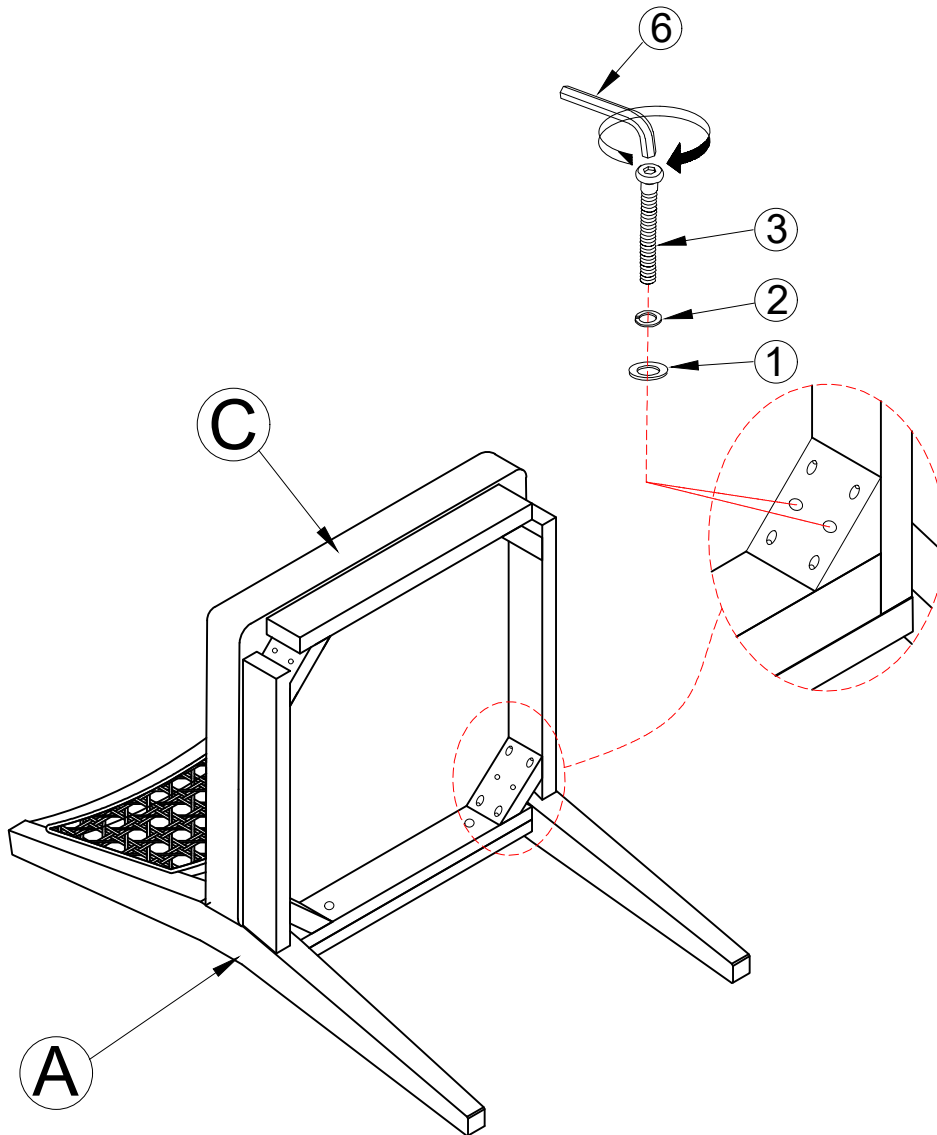
Attach Wood peg (7) on the Chair back (A), after attach Seat frame (B) on the Chair back (A) by using Flat washer (1), Lock Washer (2), Bolt (5) with Allen Key (6).



1	x2	2	x2	5	x2	6	x1	7	x1
				Ø1/4x35mm					

Step 2

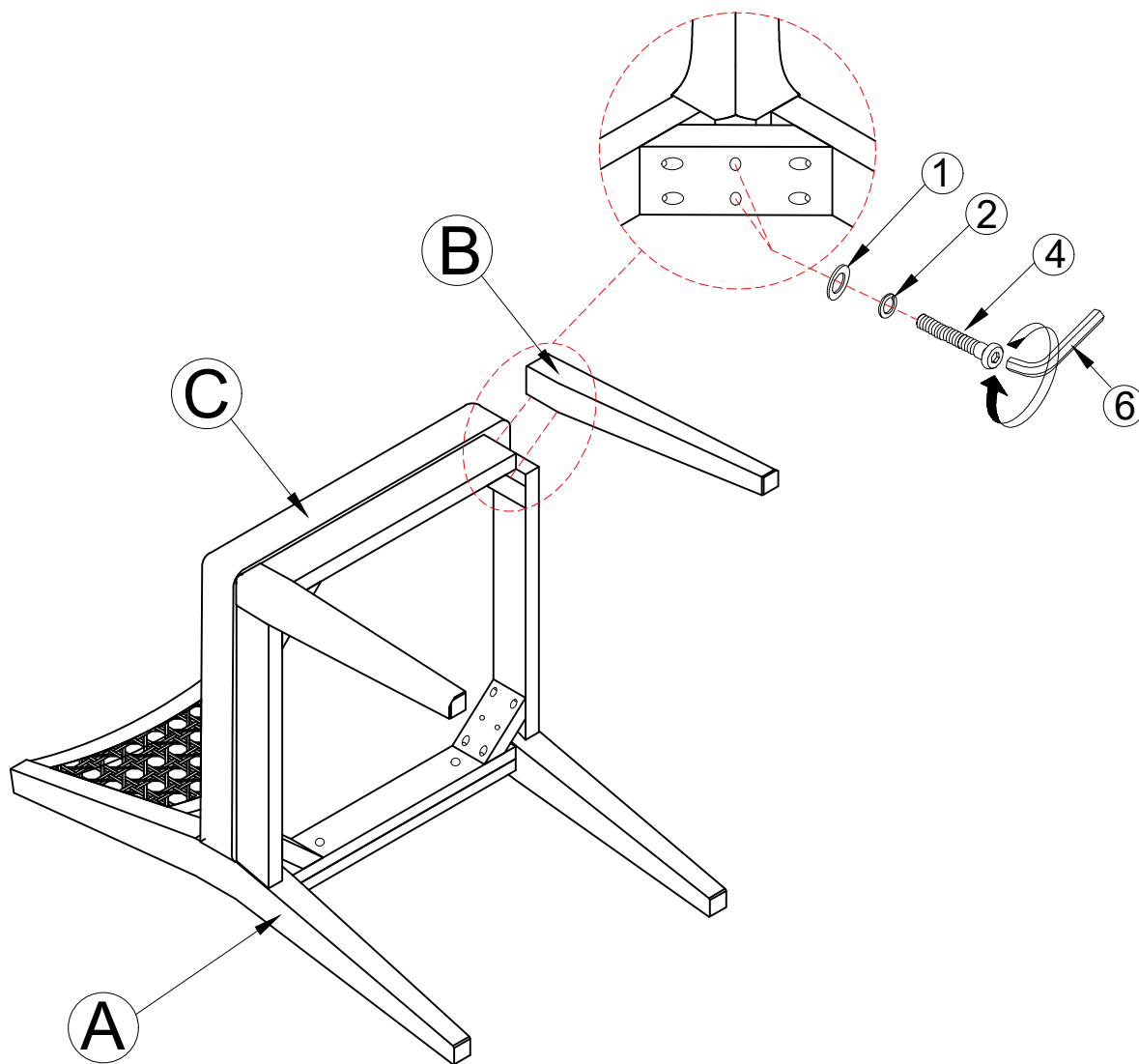
After connect Seat frame (B) with the Chair back (A) by using Flat washer (1), Lock Washer (2), Bolt (3) with Allen Key (5).



1	x4	2	x4	3	x4	5	x1
				Ø1/4x105mm			

Step 3

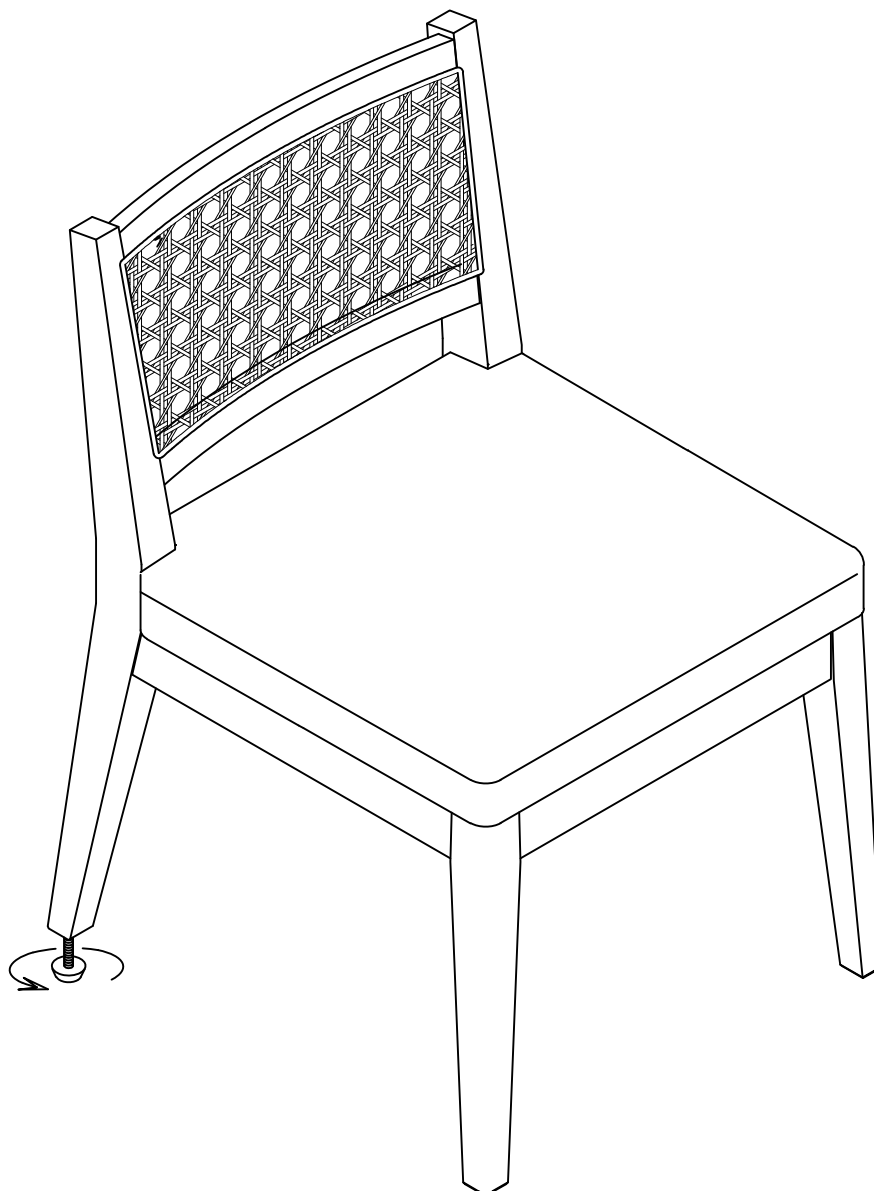
Attach Front legs (B) on the Seat frame (B) by using Flat washer (1), Lock Washer (2), Bolt (4) with Allen Key (5).



1	x4	2	x4	4	x4	6	x1
				Ø1/4x65mm			

Step 4

Adjust the level up and down to level the Chair. Chair is now ready for use.



Functions Introduction

Recliner Button

WARRANTY

- *We strive to offer quality products, and we also try our best to satisfy every customer who orders from us with products or services as needed.*
- *We provide 30 days warranty starting from the time you receive the item. Each customer must provide a record of their orders such as the order number, or item receipt for any items that are out of the warranty period you may also still receive.*
- *Replacement parts by purchasing them from our company if they are available.*
- *For return, please check the return policy with the retailer or market place you bought from*