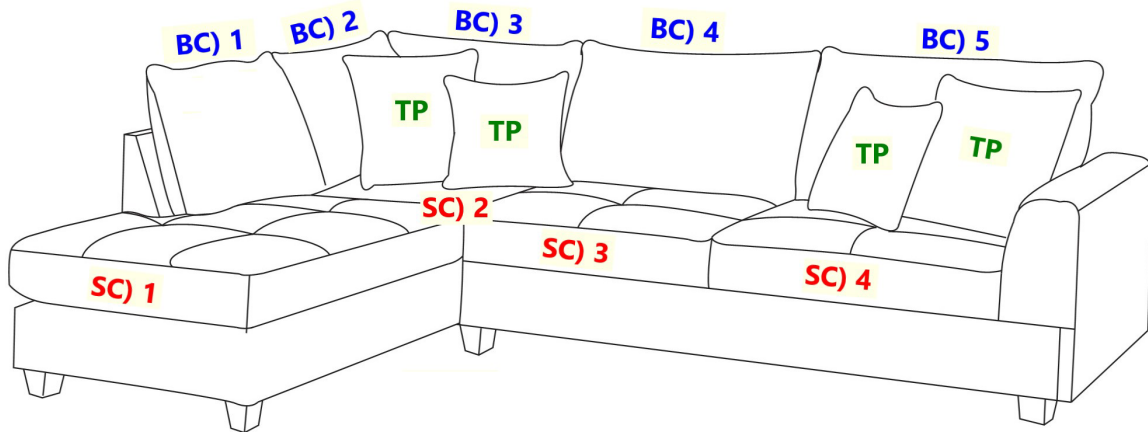


NOTICE BEFORE ASSEMBLY

Please choose the CHAISE to be on
the LEFT or RIGHT hand side

Assembly Instruction I :CHAISE ON THE LEFT



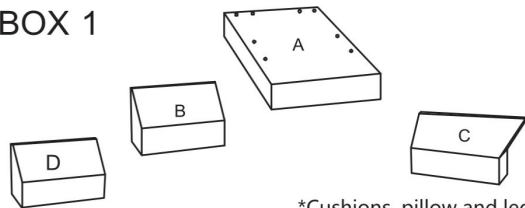
BC - Back Cushion
SC - Seat Cushion
TP - Throw Pillow (2 Patterned, 2 Solid Color)

BOX 1 - CHAISE

PARTS LIST

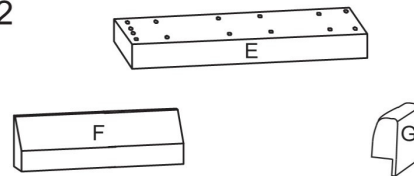
BOX 2 - SOFA

BOX 1



*Cushions, pillow and legs included

BOX 2



*Cushions, pillow and legs included

1 x11

2 x11

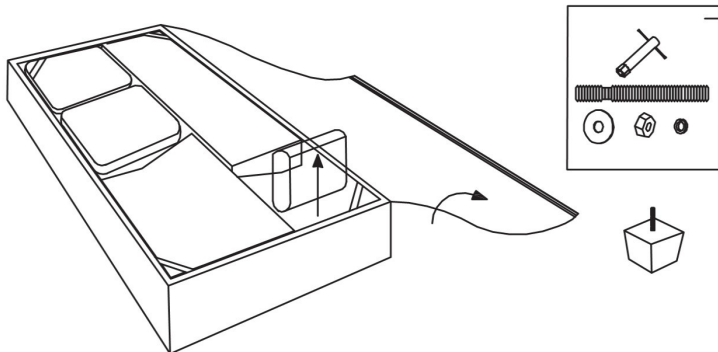
3 x11

4 x11

5 x2

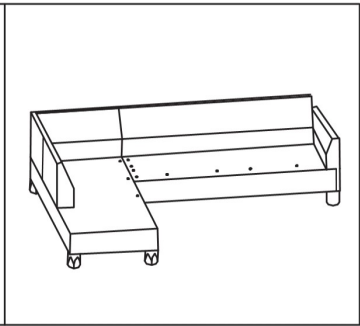
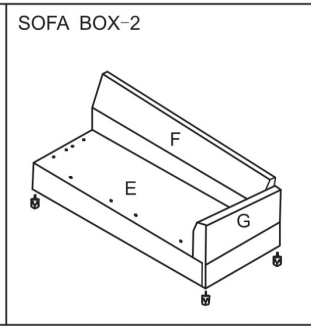
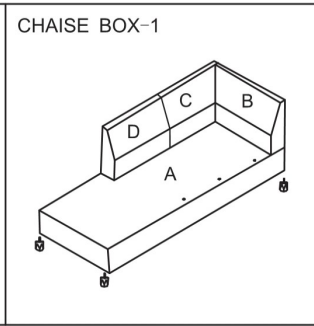
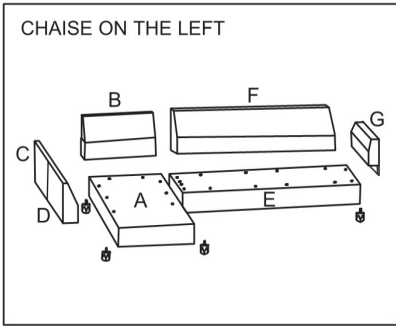
6 x8

BEFORE ASSEMBLY



Open up the Velcro of Non-Woven Fabric cover on the bottom of the seat frame to remove seat cushions, back cushions and pillow

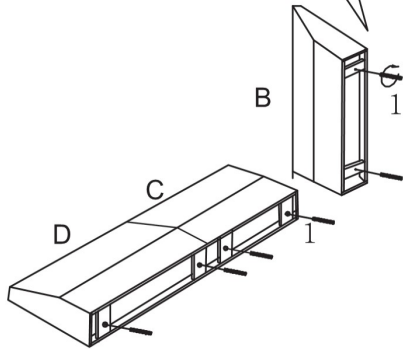
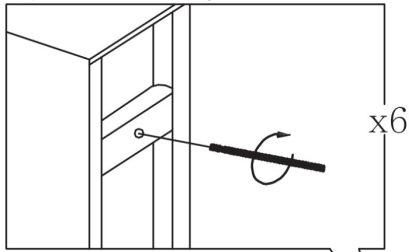
PLEASE REMOVE ALL PARTS FROM SEAT FRAMES AND SEAT BACKS BEFORE ASSEMBLY



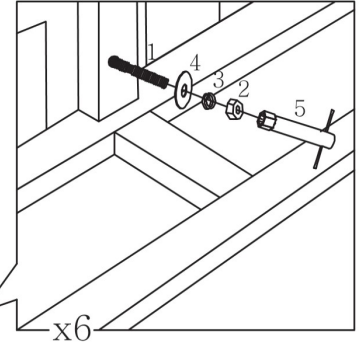
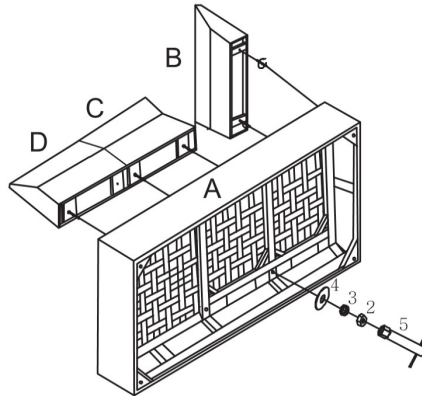
CHAISE ASSEMBLY INSTRUCTION BOX-1

STEP 1 - INSERT THREADED ROD INTO SEAT BACKS

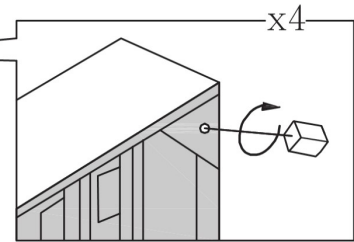
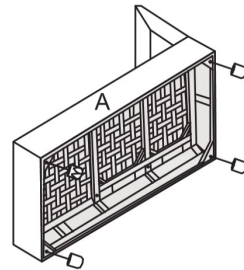
*Stop when the rod starts coming out on the other end



STEP 2 - MOUNTED SEAT BACKS INTO THE SEAT FRAME

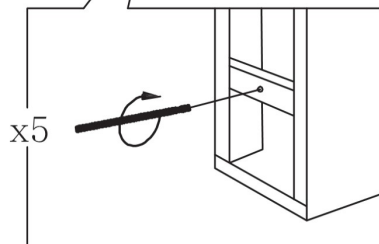
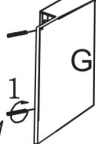
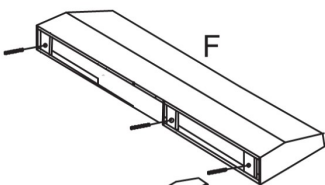


STEP 3 - PUT BACK THE FABRIC COVER AND INSERT LEGS



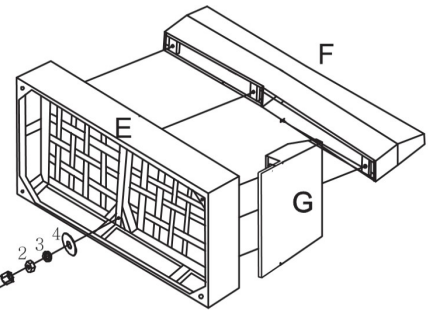
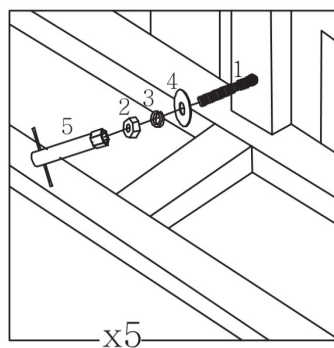
SOFA ASSEMBLY INSTRUCTION BOX-2

STEP 1 - INSERT THREADED ROD INTO SEAT BACKS

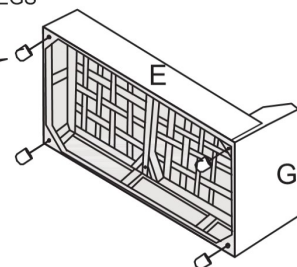
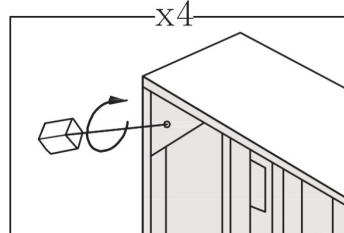


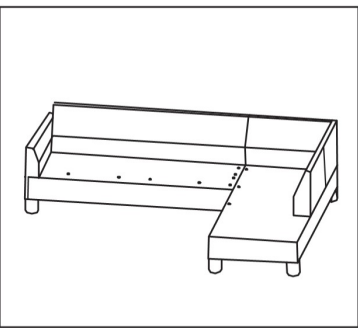
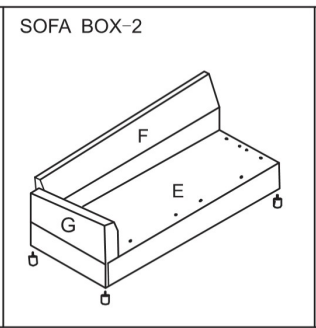
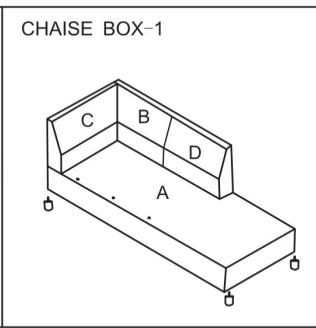
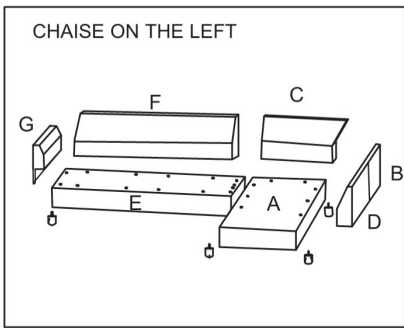
*Stop when the rod starts coming out on the other end

STEP 2 - MOUNTED SEAT BACKS INTO THE SEAT FRAME



STEP 3 - PUT BACK THE FABRIC COVER AND INSERT LEGS

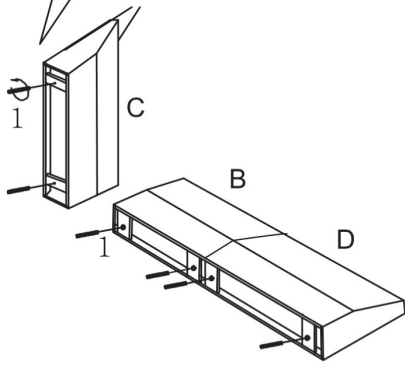
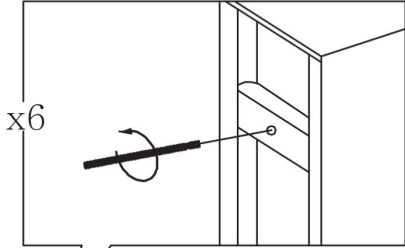




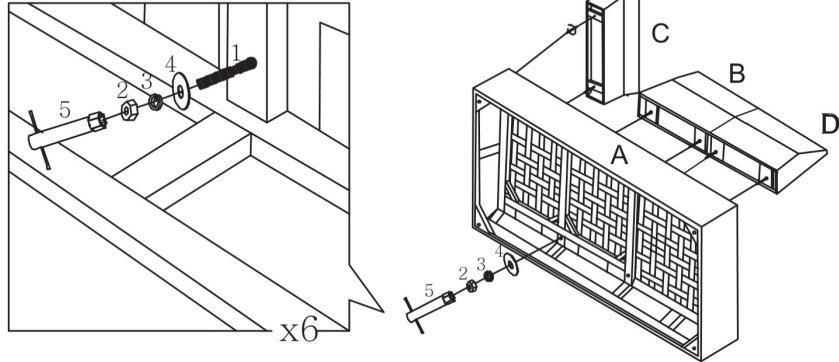
CHAISE ASSEMBLY INSTRUCTION BOX-1

STEP 1 - INSERT THREADED ROD INTO SEAT BACKS

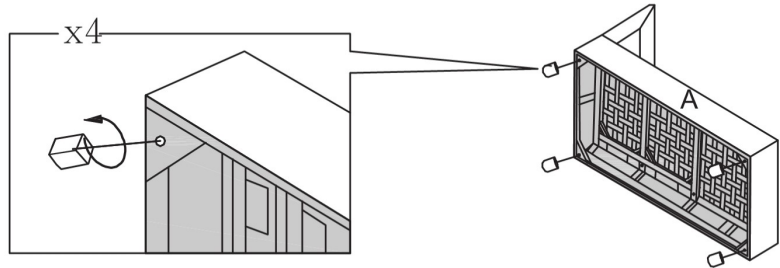
*Stop when the rod starts coming out on the other end



STEP 2 - MOUNTED SEAT BACKS INTO THE SEAT FRAME

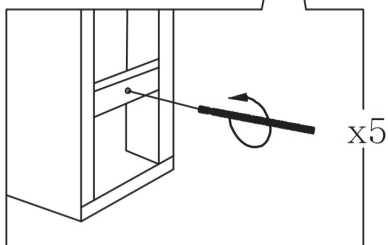
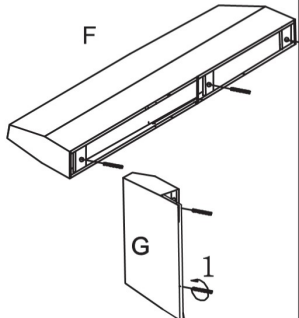


STEP 3 - PUT BACK THE FABRIC COVER AND INSERT LEGS



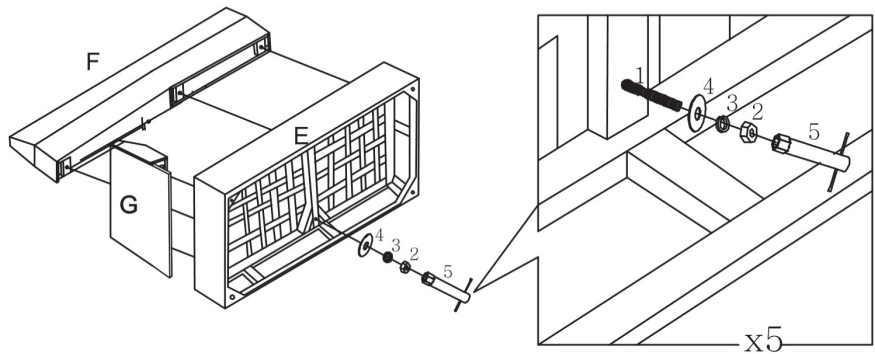
SOFA ASSEMBLY INSTRUCTION BOX-2

STEP 1 - INSERT THREADED ROD INTO SEAT BACKS

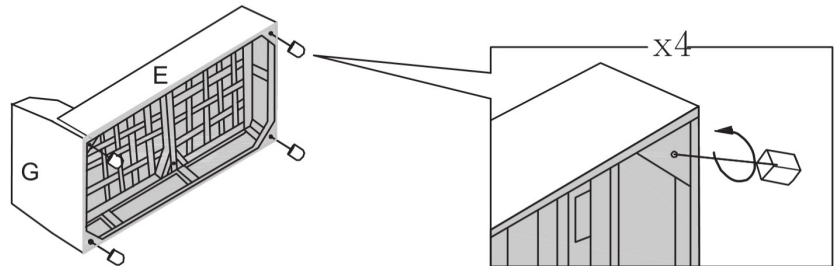


*Stop when the rod starts coming out on the other end

STEP 2 - MOUNTED SEAT BACKS INTO THE SEAT FRAME

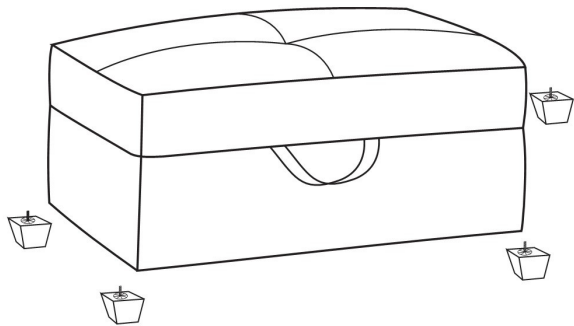


STEP 3 - PUT BACK THE FABRIC COVER AND INSERT LEGS

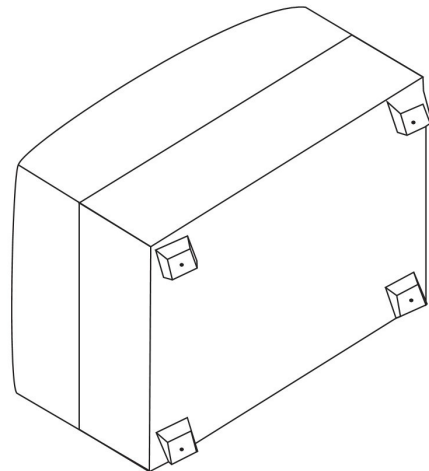


Assembly Instructions

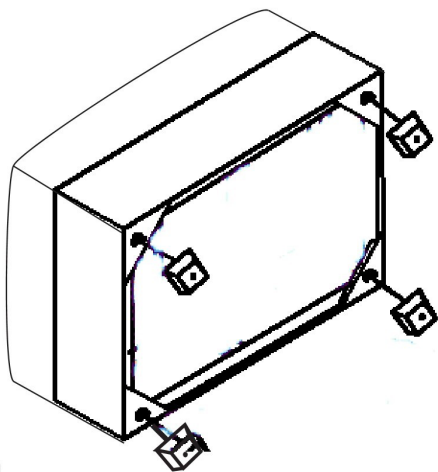
BOX 3 - OTTOMAN



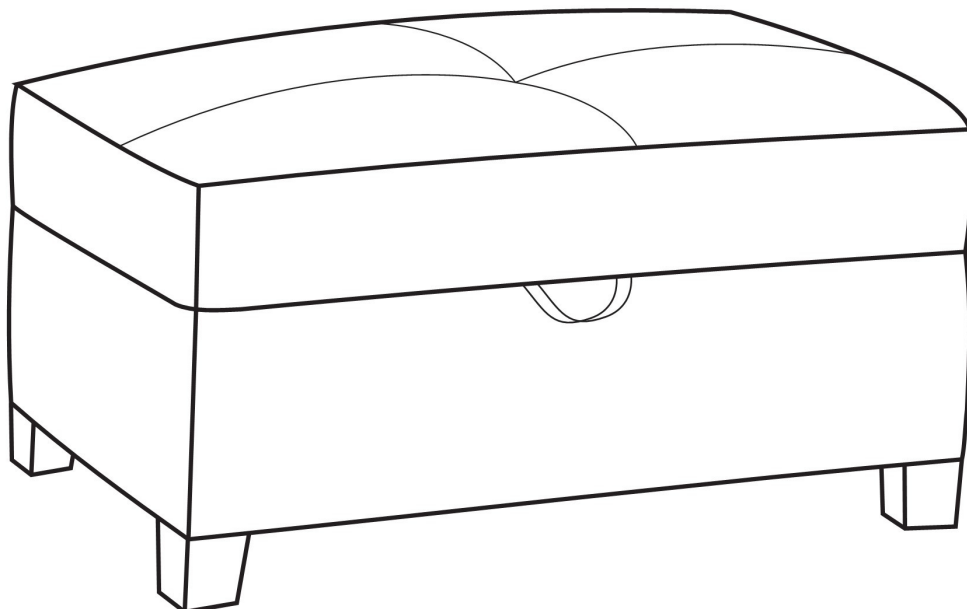
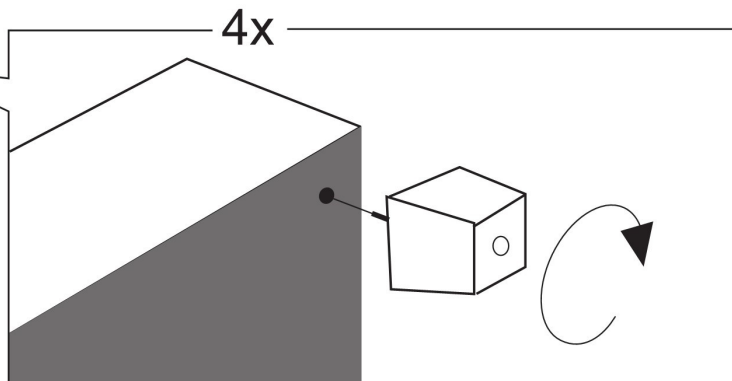
1



2



3



4

INSERT THE “n” SHAPE HANGER INTO THE SEAT FRAME TO ATTACH THE SECTIONAL TOGETHER.

